



US00D517648S

(12) **United States Design Patent** (10) **Patent No.:** **US D517,648 S**
Kulig et al. (45) **Date of Patent:** **** Mar. 21, 2006**

(54) **FAUCET**

(75) Inventors: **Zbigniew Kulig**, Wadsworth, IL (US);
Marcin Matuszek, Crakow (PL)

(73) Assignee: **Graff Faucets**, Milwaukee, WI (US)

(**) Term: **14 Years**

(21) Appl. No.: **29/200,367**

(22) Filed: **Feb. 26, 2004**

(51) **LOC (8) Cl.** **23-01**

(52) **U.S. Cl.** **D23/238**

(58) **Field of Classification Search** D23/238-257;
4/675-678; 137/801

See application file for complete search history.

(56) **References Cited**

U.S. PATENT DOCUMENTS

D444,851 S	7/2001	Sturgeon	
D468,399 S	* 1/2003	Bouilloux et al. D23/238
D471,254 S	* 3/2003	Bonnell et al. D23/238
D487,133 S	* 2/2004	Haug et al. D23/238
D489,795 S	5/2004	Kulig	

OTHER PUBLICATIONS

- Kulig, U.S. Appl. No. 29/200,362, filed Feb. 26, 2004, entitled "Faucet".
 Kulig, U.S. Appl. No. 29/210,960, filed Aug. 9, 2004, allowed May 17, 2005, entitled "Faucet".
 Kulig, U.S. Appl. No. 29/200,374, filed Feb. 26, 2004, allowed May 17, 2005, entitled "Faucet".
 Kulig, U.S. Appl. No. 29/200,372, filed Feb. 26, 2004, allowed May 17, 2005, entitled "Faucet".
 Kulig, U.S. Appl. No. 29/200,370, filed Feb. 26, 2004, allowed May 17, 2005, entitled "Faucet".
 Kulig, et al., U.S. Appl. No. 29/200,363, filed Feb. 26, 2004, allowed May 17, 2005, entitled "Faucet".

- Kulig, et al., U.S. Appl. No. 29/200,364, filed Feb. 26, 2004, allowed May 17, 2005, entitled "Faucet".
 Kulig, et al., U.S. Appl. No. 29/200,375, filed Feb. 26, 2004, allowed May 17, 2005, entitled "Faucet".
 Kulig, et al., U.S. Appl. No. 29/200,361, filed Feb. 26, 2004, allowed May 17, 2005, entitled "Faucet".
 Kulig, et al., U.S. Appl. No. 29/200,369, filed Feb. 26, 2004, entitled "Faucet".
 Kulig, et al., U.S. Appl. No. 29/200,368, filed Feb. 26, 2004, allowed May 17, 2005, entitled "Faucet Handle".
 Kulig, U.S. Appl. No. 29/200,371, filed Feb. 26, 2004, allowed May 17, 2005, entitled "Faucet Handle".
 Kulig, U.S. Appl. No. 29/200,366, filed Feb. 26, 2004, allowed May 17, 2005, entitled "Faucet".
 Kulig, et al., U.S. Appl. No. 29/200,373, filed Feb. 26, 2004, entitled "Faucet Handle".

* cited by examiner

Primary Examiner—Louis S. Zarfaz
Assistant Examiner—Gregory Andoll
 (74) *Attorney, Agent, or Firm*—Boyle Fredrickson
 Newholm Stein & Gratz S.C.

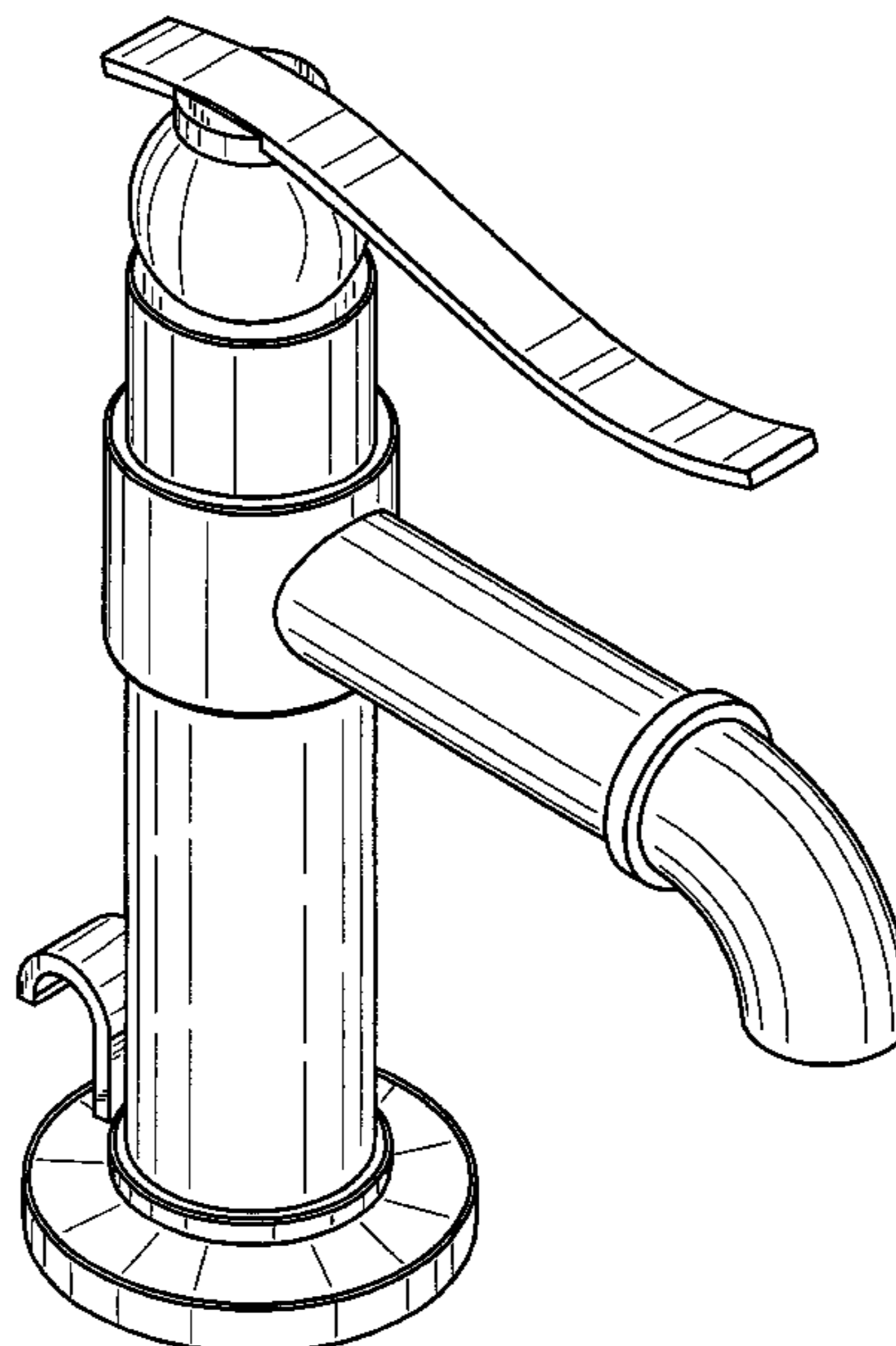
(57) **CLAIM**

The ornamental design for a faucet, as shown and described.

DESCRIPTION

FIG. 1 is perspective view of a faucet incorporating our new design, viewed from in front of, above, and from the left side of the faucet;
 FIG. 2 is a front elevation view thereof;
 FIG. 3 is a rear elevation view thereof;
 FIG. 4 is a top plan view thereof;
 FIG. 5 is a bottom plan view thereof; and,
 FIG. 6 is a left-side elevation view thereof, with the right side being a mirror image of the left side.
 The broken lines in FIG. 5 are for illustrative purposes only and form no part of the claimed design.

1 Claim, 6 Drawing Sheets



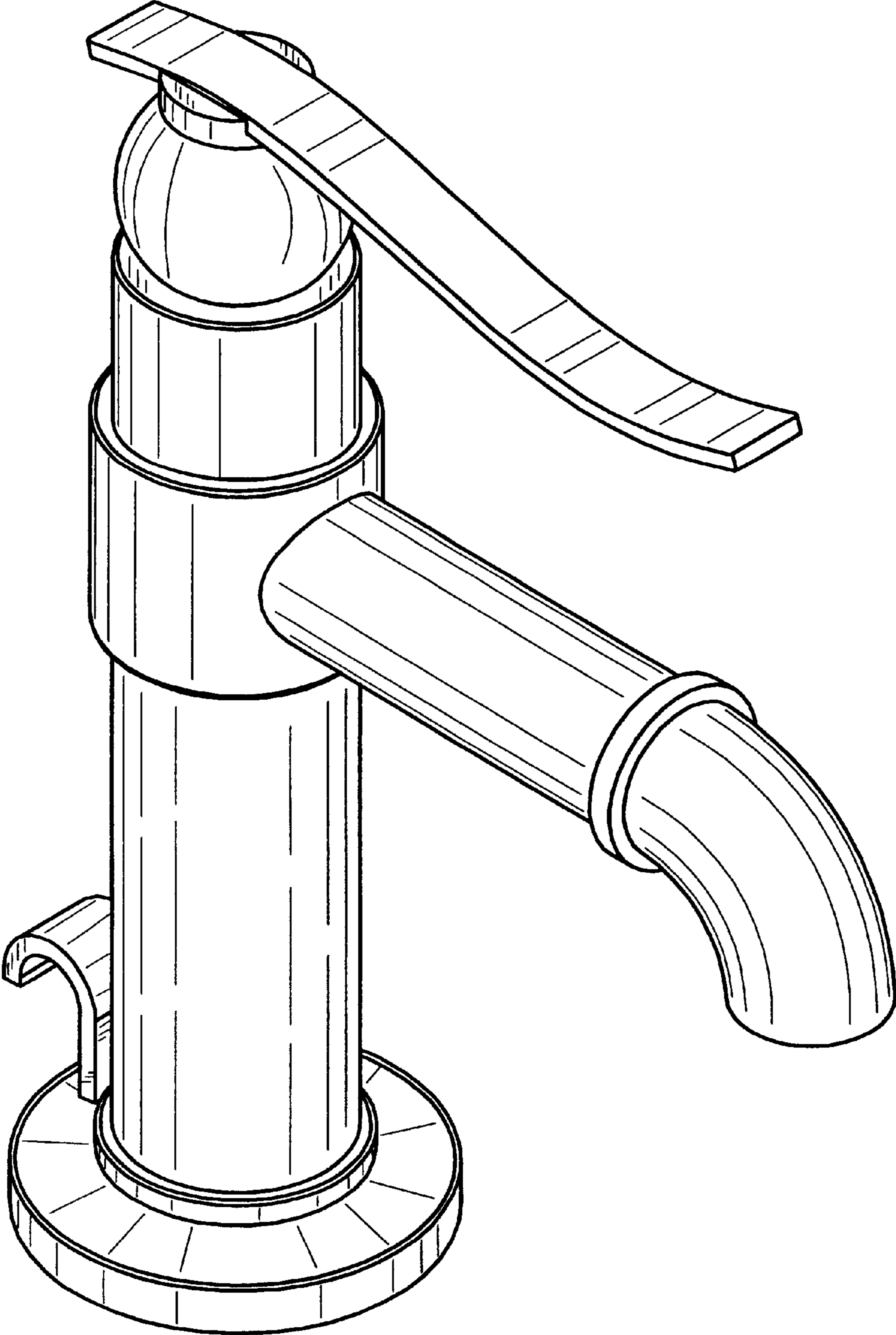


FIG. 1

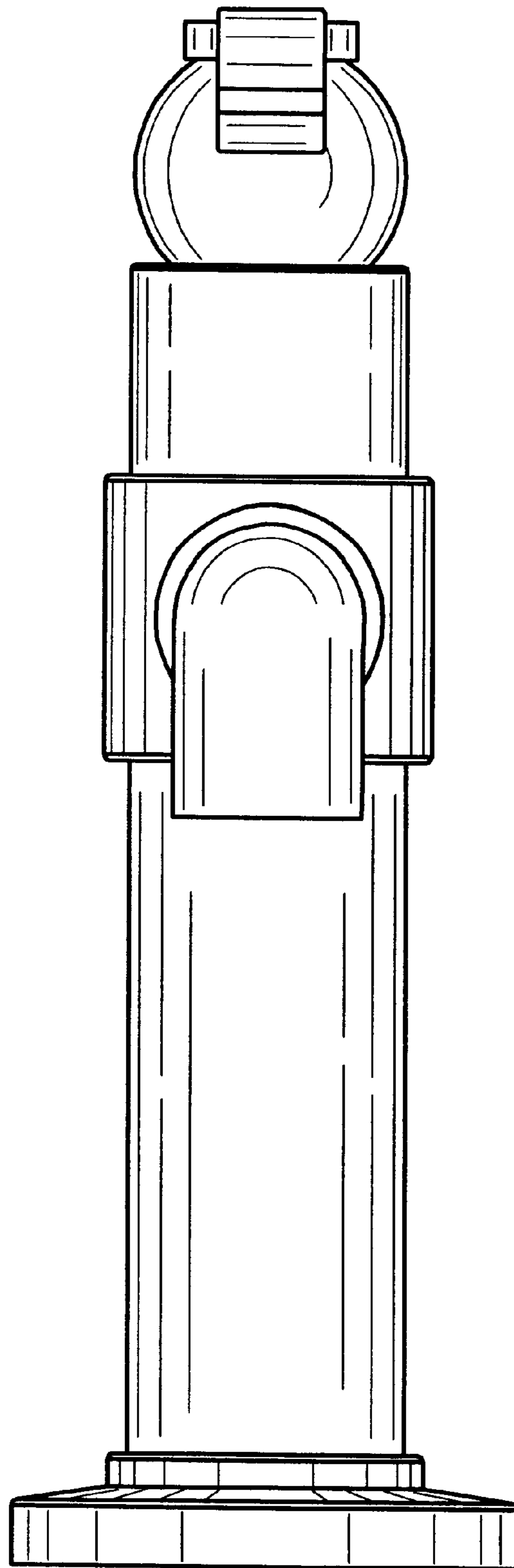


FIG. 2

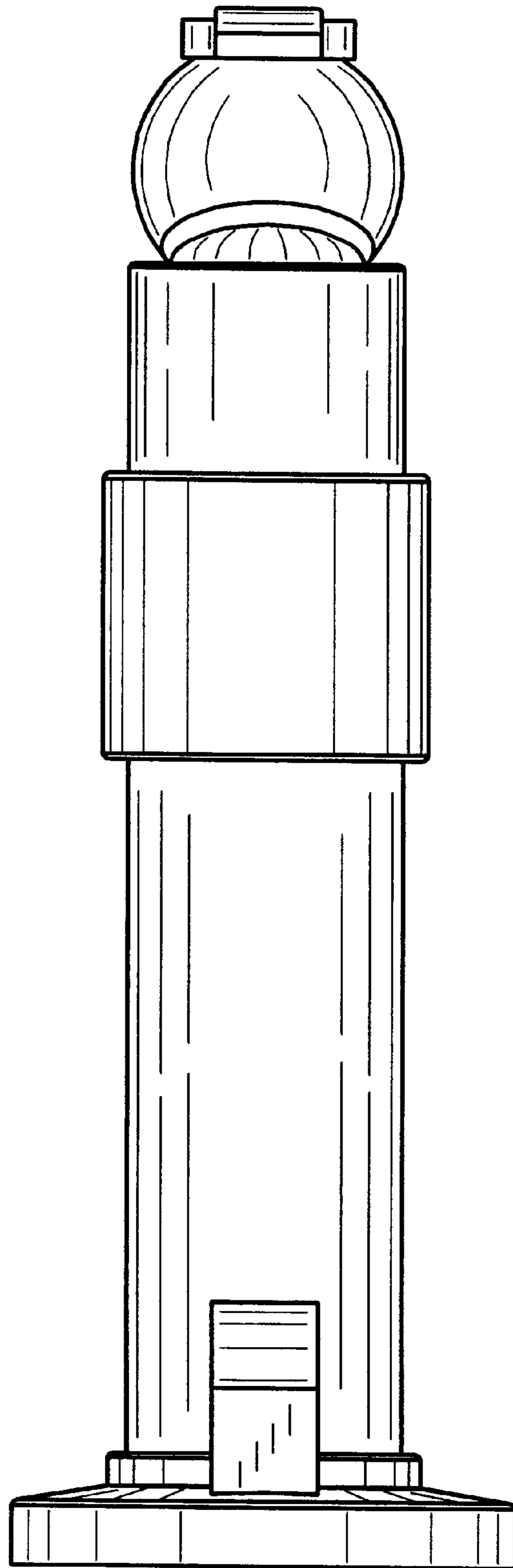


FIG. 3

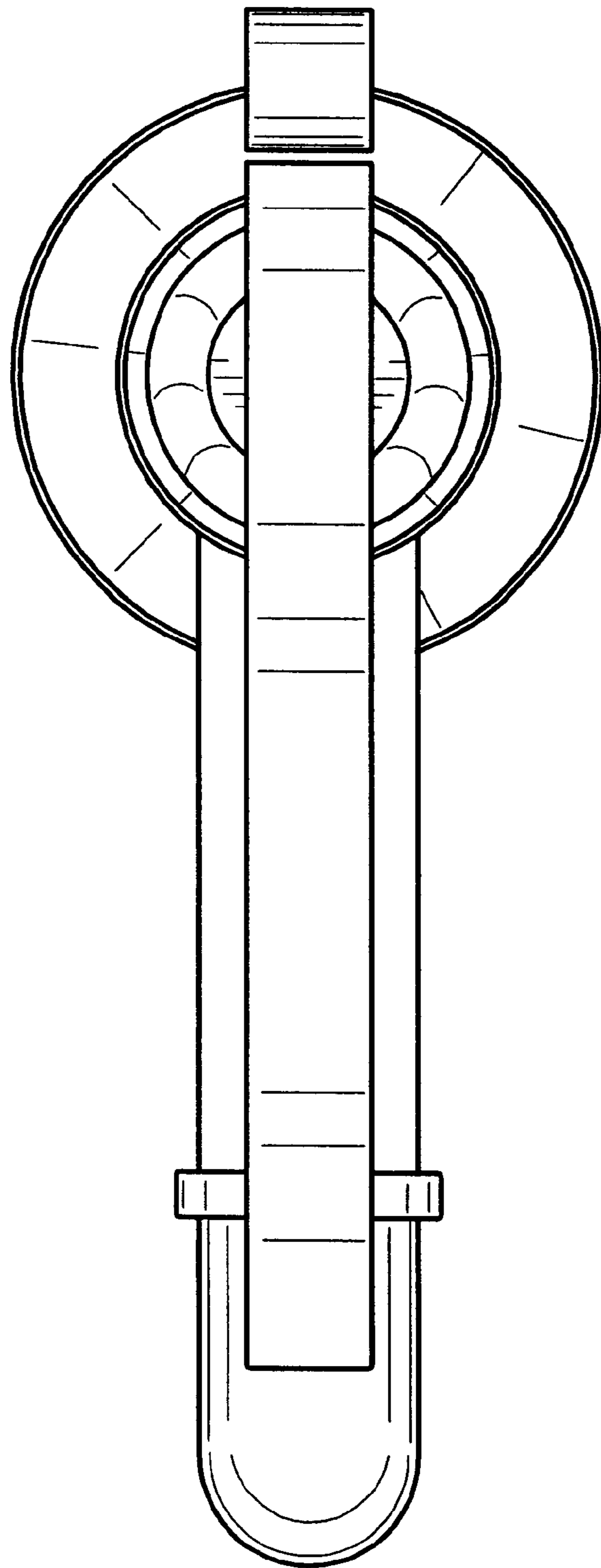


FIG. 4

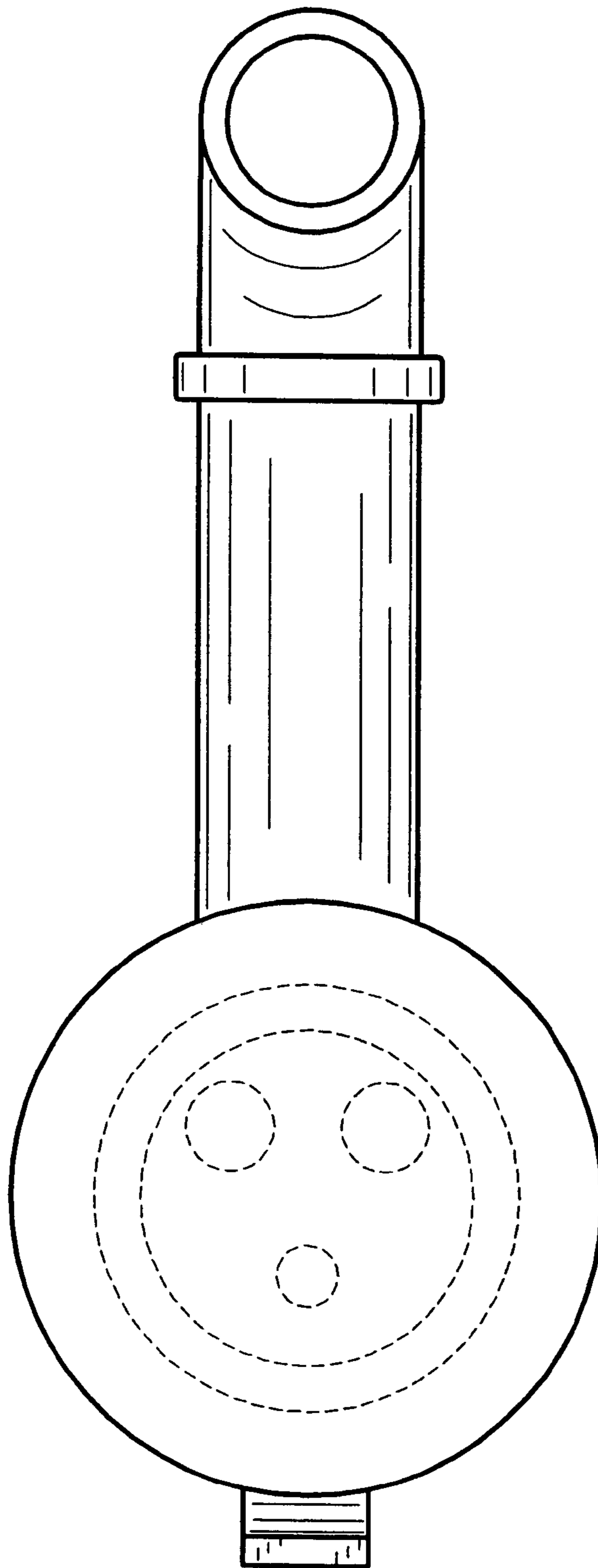


FIG. 5

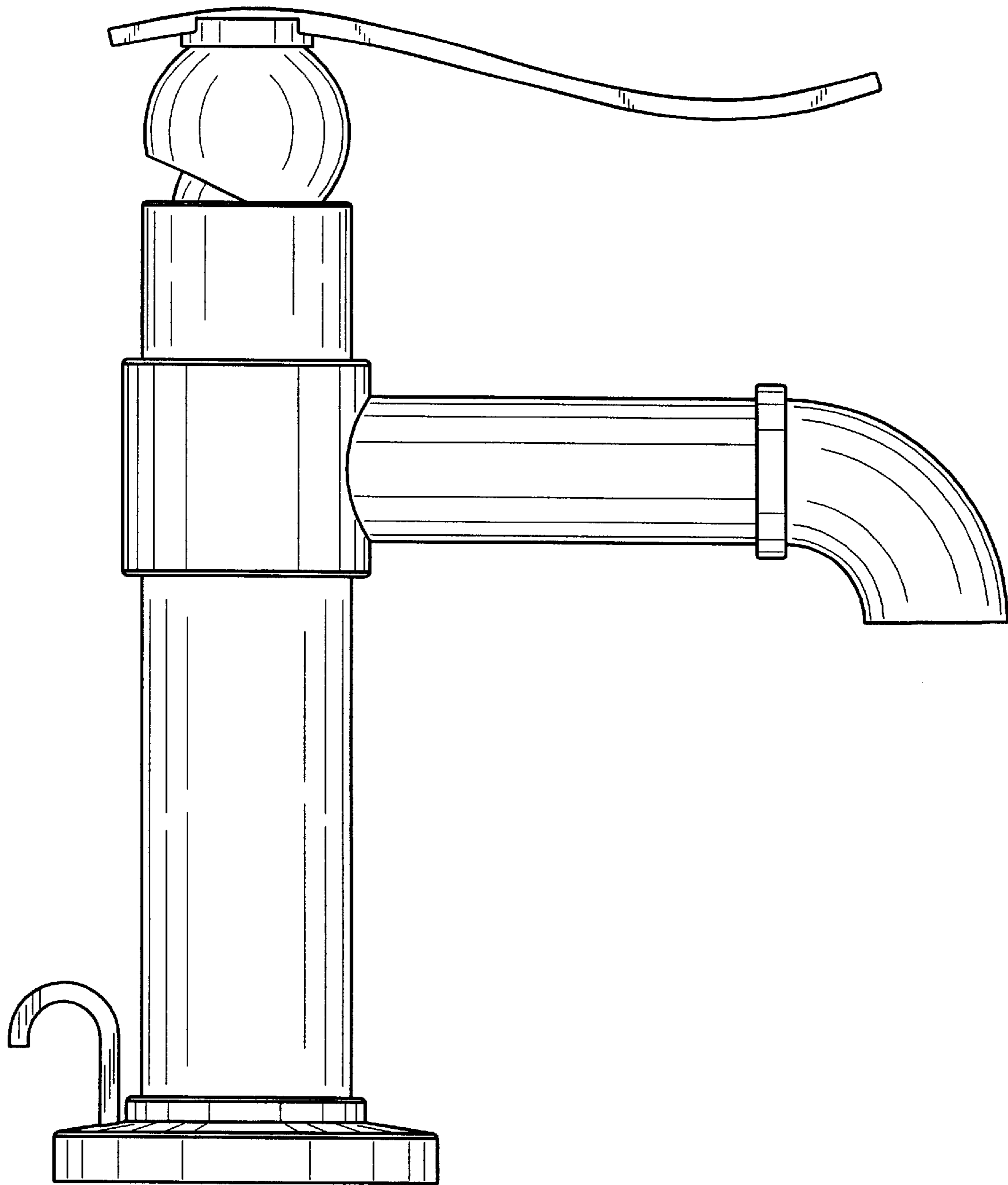


FIG. 6