

US00D517646S

(12) **United States Design Patent**  
**Rodriguez**

(10) **Patent No.:** **US D517,646 S**  
(45) **Date of Patent:** **\*\* Mar. 21, 2006**

(54) **VALVE**

(75) **Inventor:** **Juan Antonio Rodriguez**, Chicago, IL (US)

(73) **Assignee:** **Geberit Technik AG**, Jona (CH)

(\*\*) **Term:** **14 Years**

(21) **Appl. No.:** **29/209,551**

(22) **Filed:** **Jul. 16, 2004**

(51) **LOC (8) Cl.** ..... **23-01**

(52) **U.S. Cl.** ..... **D23/233**

(58) **Field of Classification Search** ..... D23/233-237,  
D23/244-249, 250, 254; 251/38, 40, 84,  
251/120, 243, 236-238, 285, 218, 215-216,  
251/144-145, 148, 61.4; 137/549, 556, 315.08,  
137/390, 360, 413-414

See application file for complete search history.

(56) **References Cited**

**U.S. PATENT DOCUMENTS**

D215,438 S	*	10/1969	Hom	.....	D23/233
D359,110 S	*	6/1995	Vestergaard	.....	D23/233
D366,929 S	*	2/1996	Allen et al.	.....	D23/236
D470,222 S	*	2/2003	Nortier	.....	D23/233

\* cited by examiner

*Primary Examiner*—Caron D. Veynar

*Assistant Examiner*—Maurice Stevens

(74) *Attorney, Agent, or Firm*—Reinhart Boerner Van Deuren s.c.

(57) **CLAIM**

The ornamental design for a valve, as shown and described.

**DESCRIPTION**

FIG. 1 is an isometric view of the valve of the present invention shown from the upper right;

FIG. 2 is a top plan view of the valve illustrated in FIG. 1;

FIG. 3 is a front elevational view of the valve illustrated in FIGS. 1 and 2, the rear being a mirror image thereof;

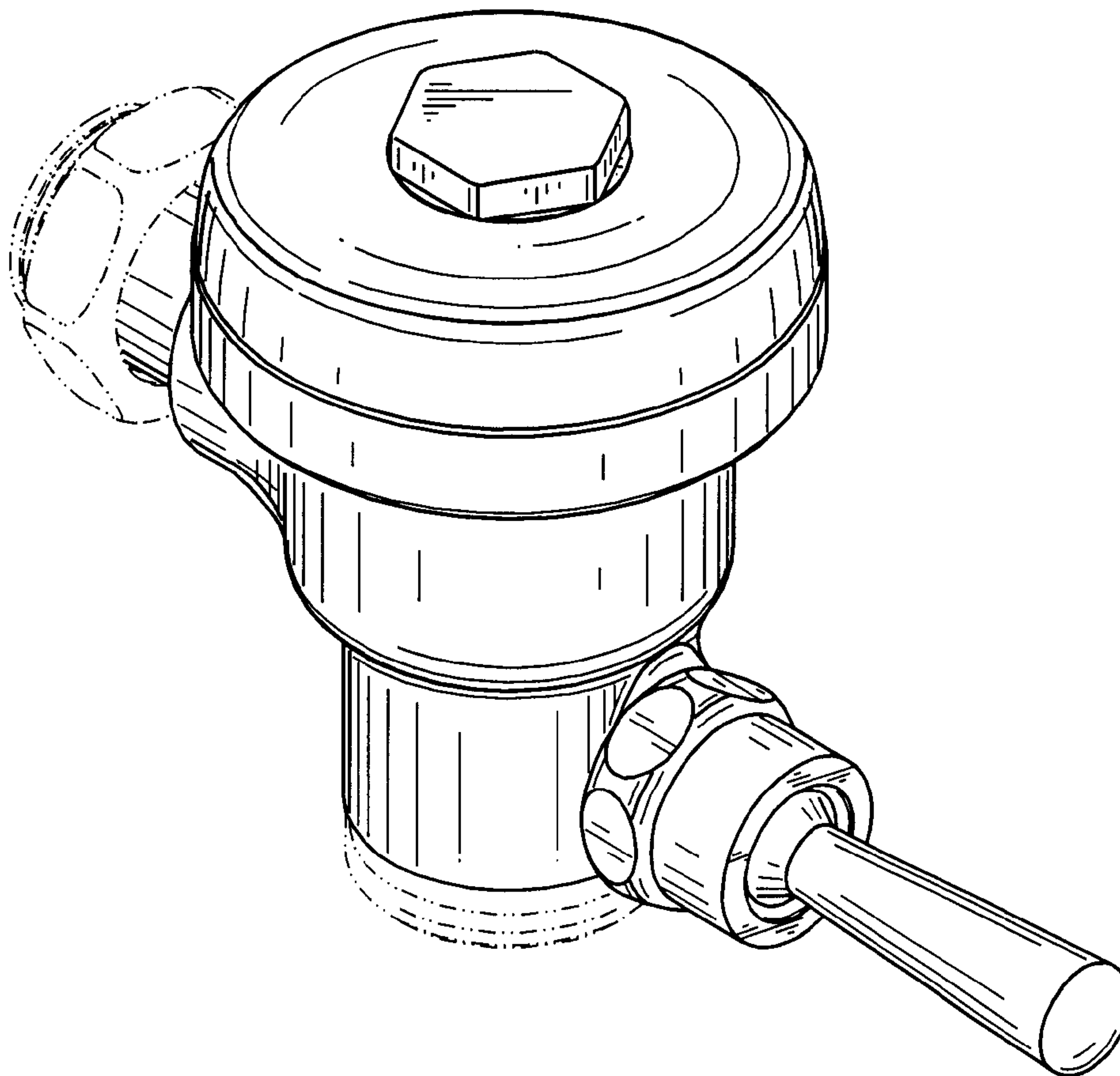
FIG. 4 is a right side elevational view of the valve illustrated in FIGS. 1 through 3;

FIG. 5 is left side elevational view of the valve illustrated in FIGS. 1 through 4; and,

FIG. 6 is bottom plan view of the valve illustrated in FIGS. 1 through 5.

The broken lines shown are for illustrative purposes only and form no part of the claimed design.

**1 Claim, 3 Drawing Sheets**



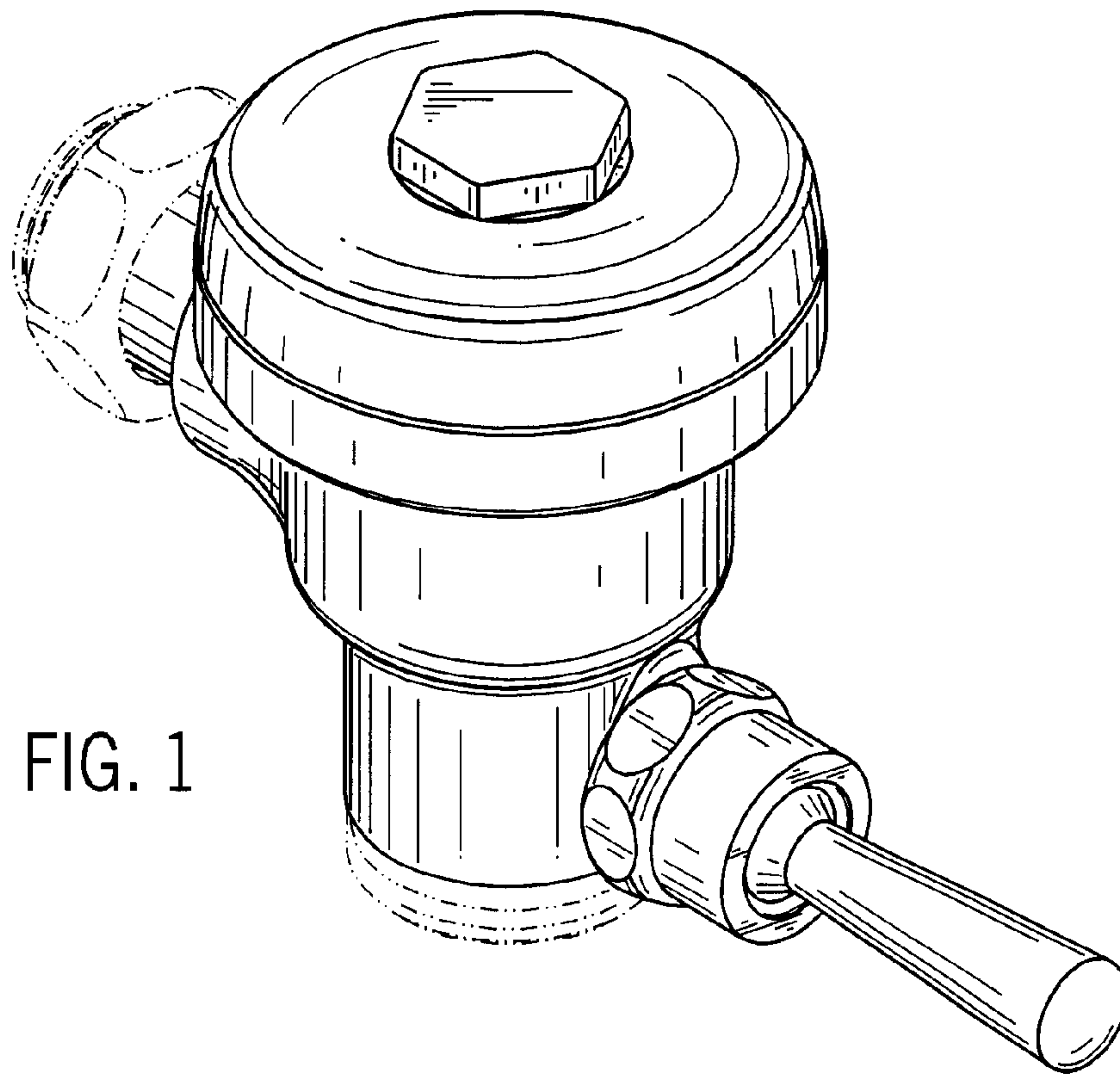


FIG. 1

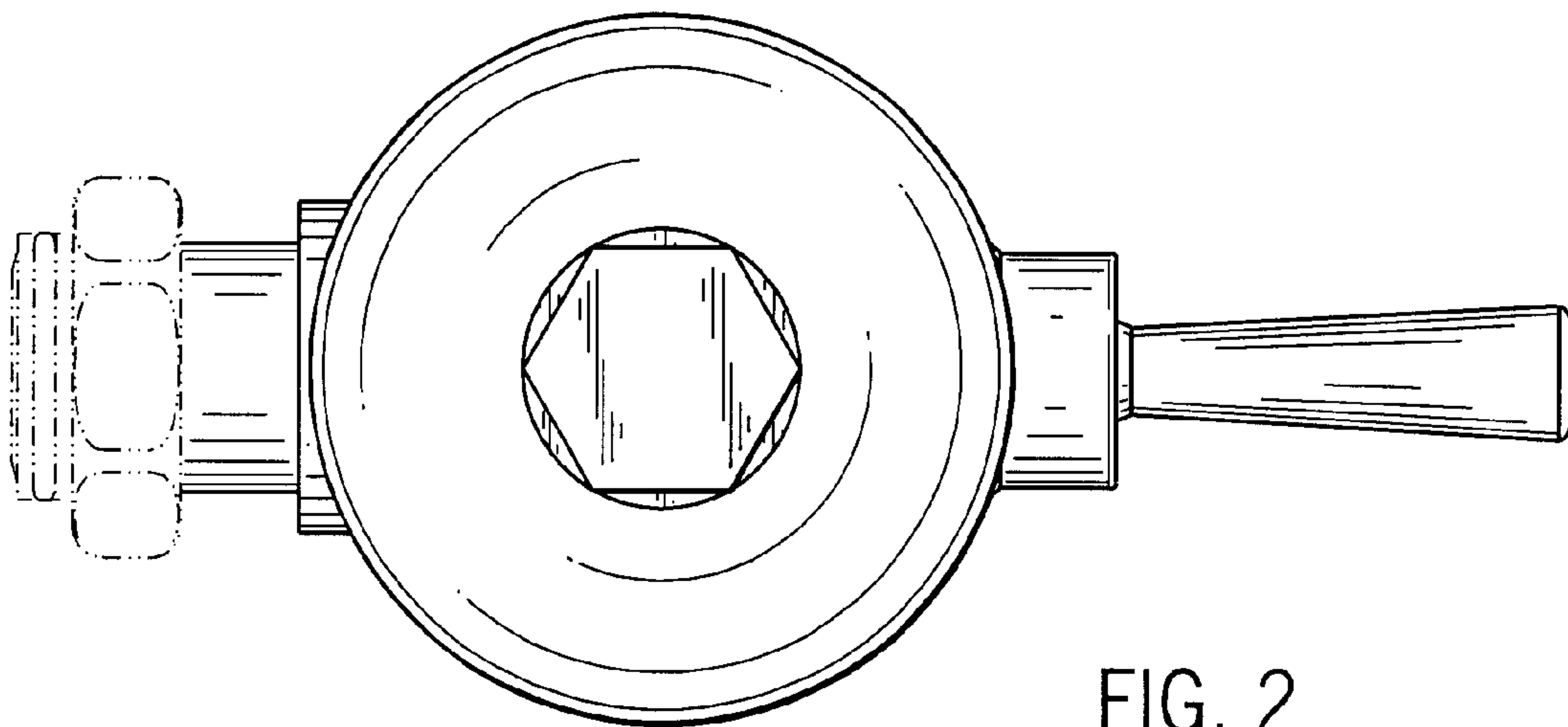


FIG. 2

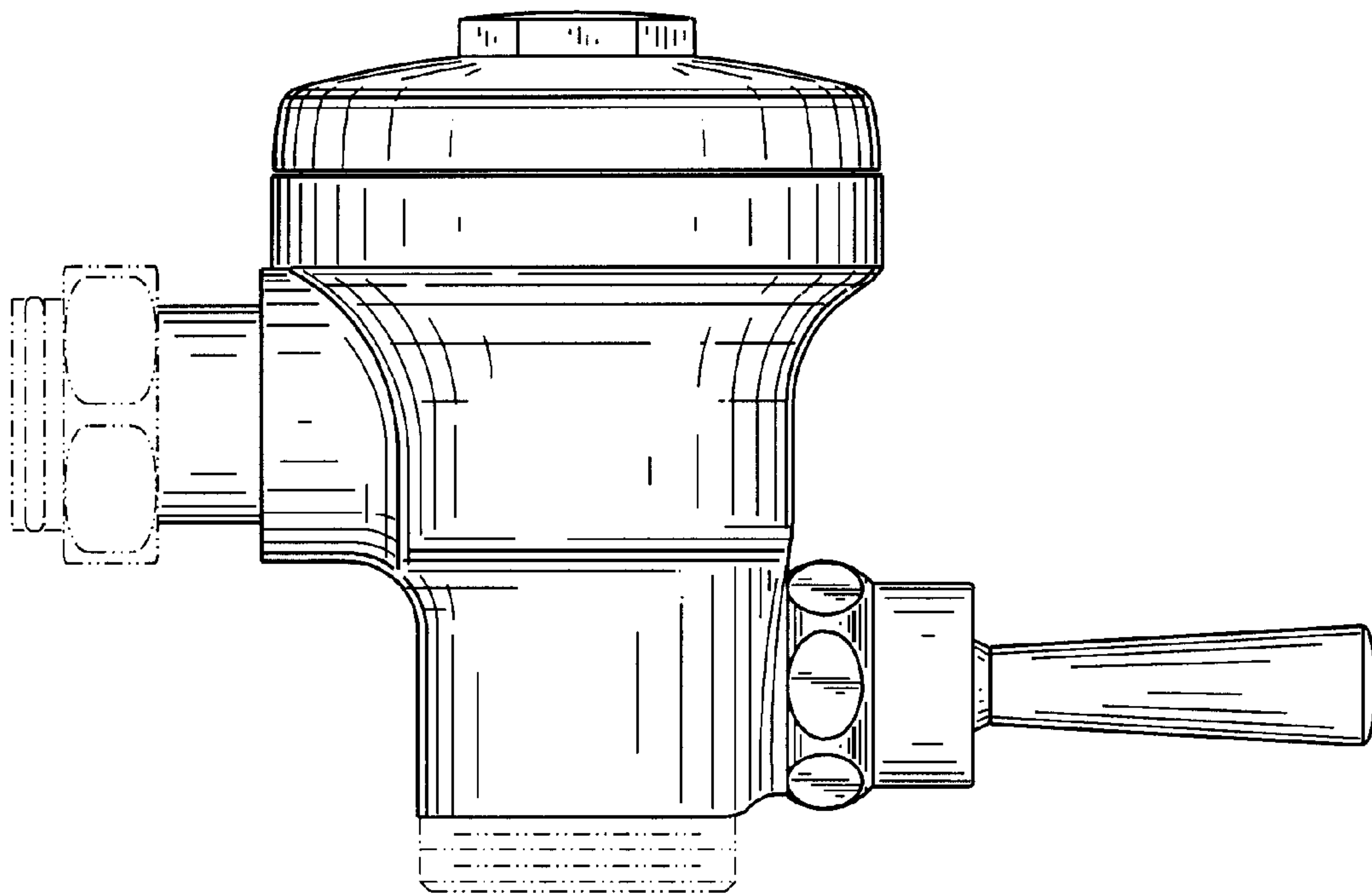


FIG. 3

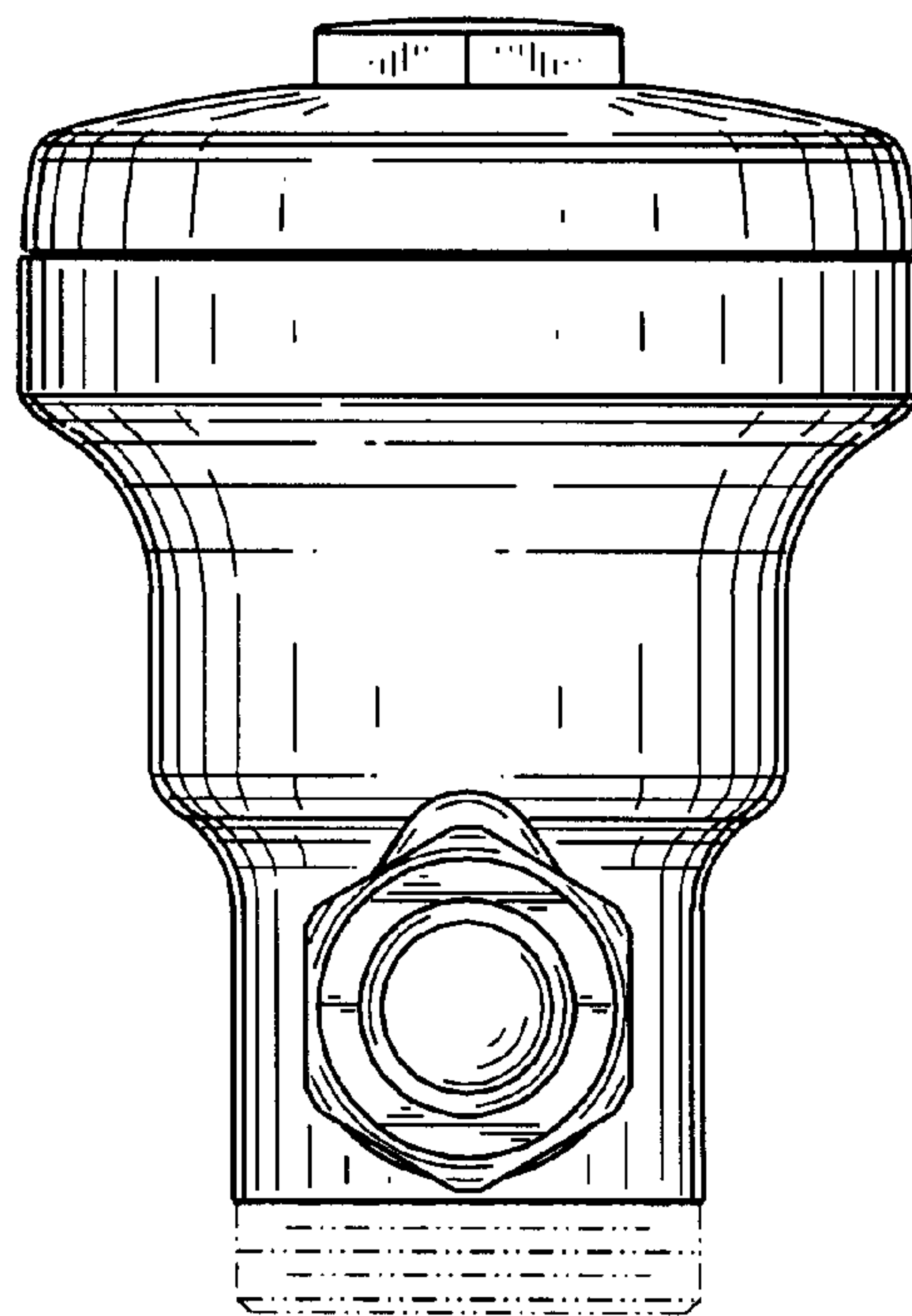


FIG. 4

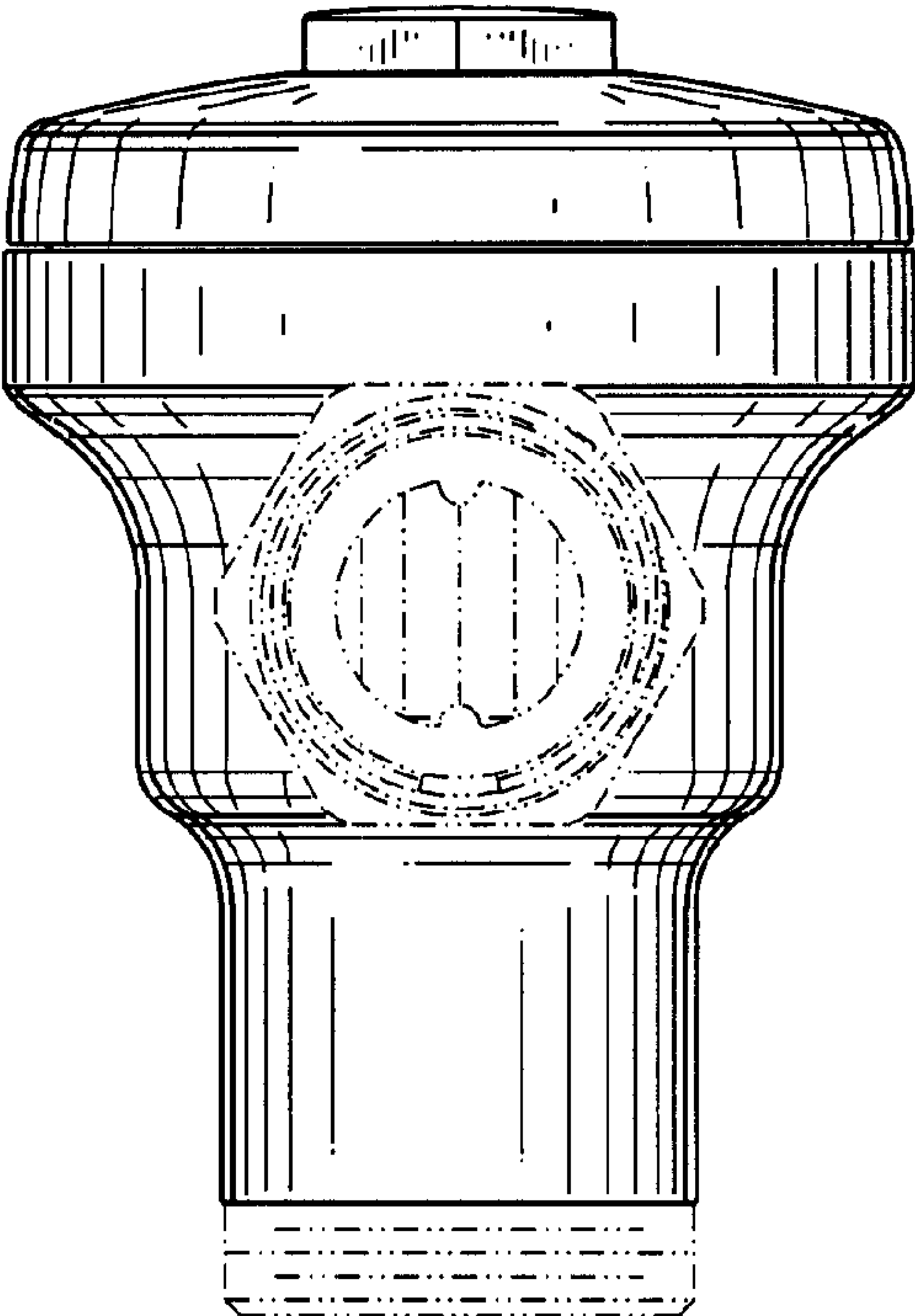


FIG. 5

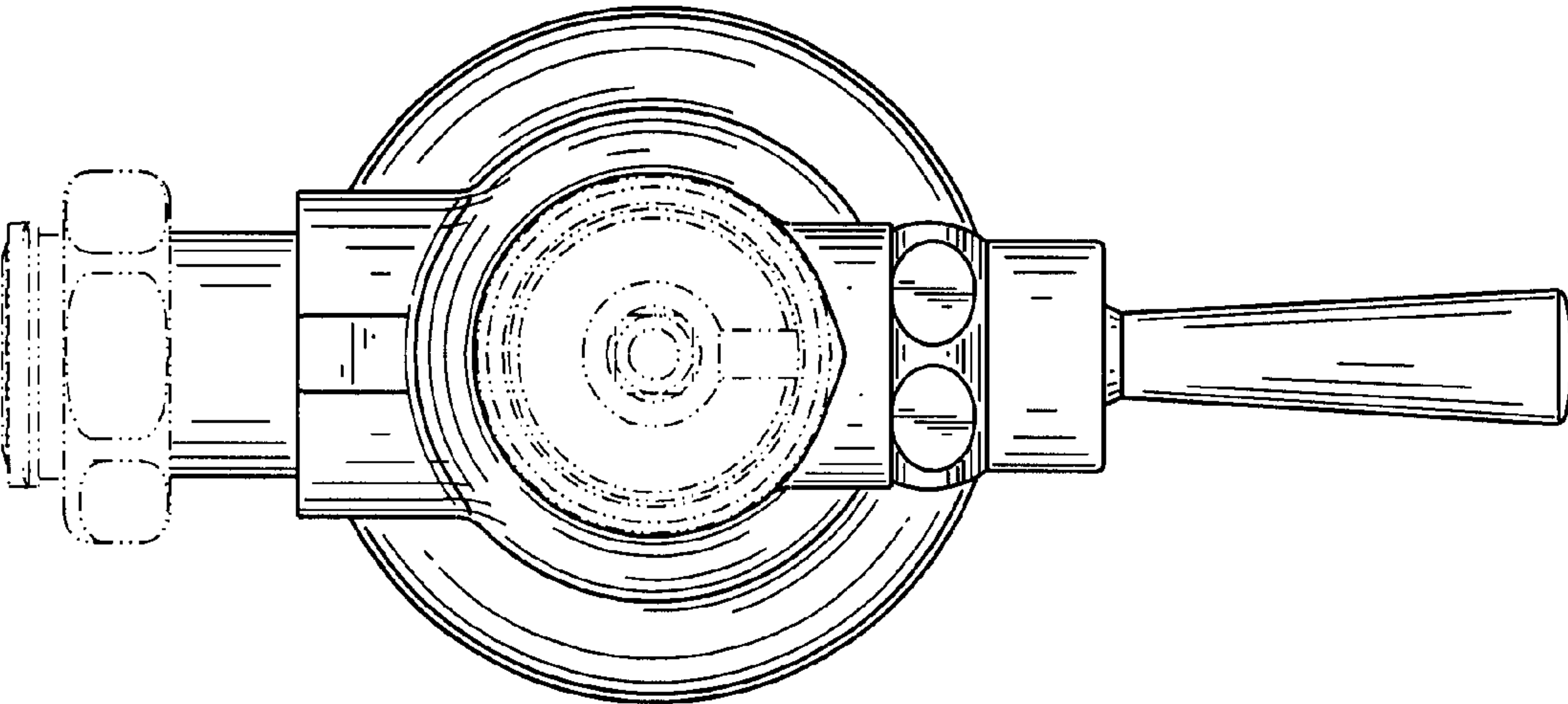


FIG. 6