



US00D517645S

(12) **United States Design Patent**
Chang

(10) **Patent No.:** **US D517,645 S**
(45) **Date of Patent:** **** Mar. 21, 2006**

(54) **WATER SPRAY GUN**

6,719,219 B1 * 4/2004 Wang 239/526
D501,537 S * 2/2005 Zeng D23/226

(76) Inventor: **Tzu-Yun Chang**, 12, Lane 68, Jianbao St., Changhua City, Changhua Hsien (TW)

* cited by examiner

(**) Term: **14 Years**

Primary Examiner—Robin V. Taylor
(74) *Attorney, Agent, or Firm*—Alan D. Kamrath; Nikolai & Mersereau, P.A.

(21) Appl. No.: **29/214,061**

(57) **CLAIM**

(22) Filed: **Sep. 27, 2004**

The ornamental design for a water spray gun, as shown and described.

(51) **LOC (8) Cl.** **23-01**

(52) **U.S. Cl.** **D23/226**

(58) **Field of Classification Search** D23/213,
D23/223, 226; 239/525, 526, 527
See application file for complete search history.

DESCRIPTION

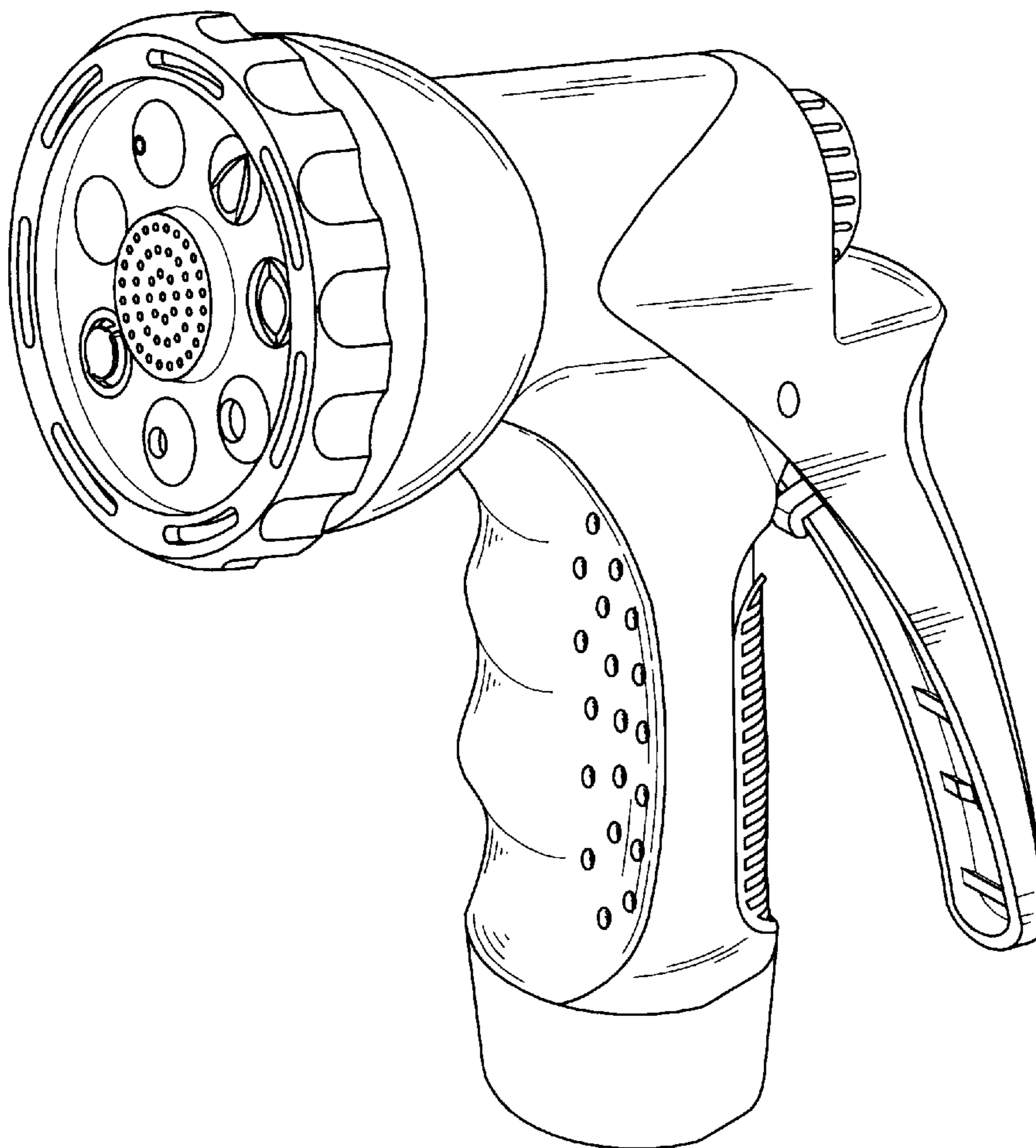
FIG. 1 is a perspective view of a water spray gun showing my design;
FIG. 2 is a front elevational view thereof;
FIG. 3 is a rear elevational view thereof;
FIG. 4 is a left side elevational view thereof;
FIG. 5 is a right side elevational view thereof;
FIG. 6 is a top plan view thereof; and,
FIG. 7 is a bottom plan view thereof.

(56) **References Cited**

U.S. PATENT DOCUMENTS

D408,496 S * 4/1999 Wang D23/226
D464,707 S * 10/2002 Wang D23/226
D475,435 S * 6/2003 Chen D23/223
D475,763 S * 6/2003 Kuo D23/226

1 Claim, 4 Drawing Sheets



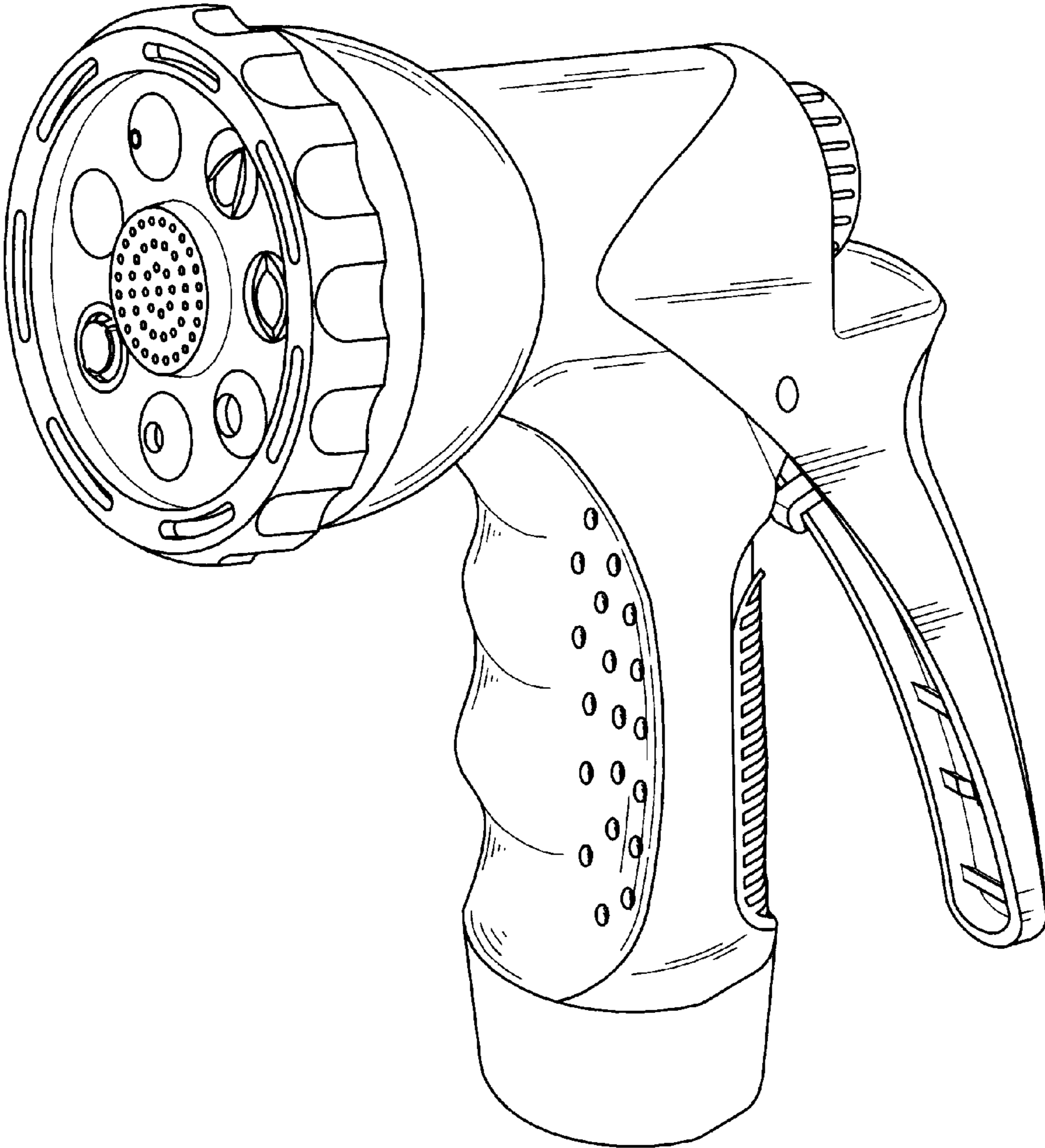


FIG. 1

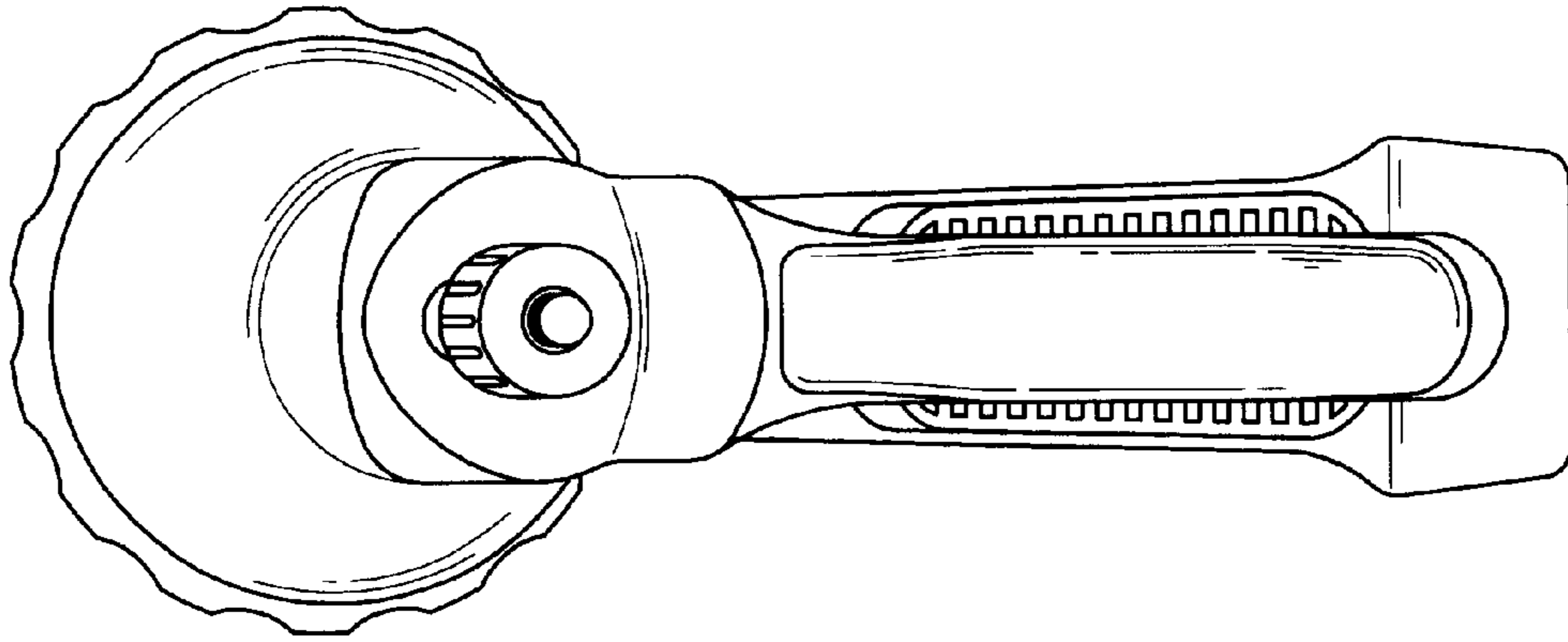


FIG. 3

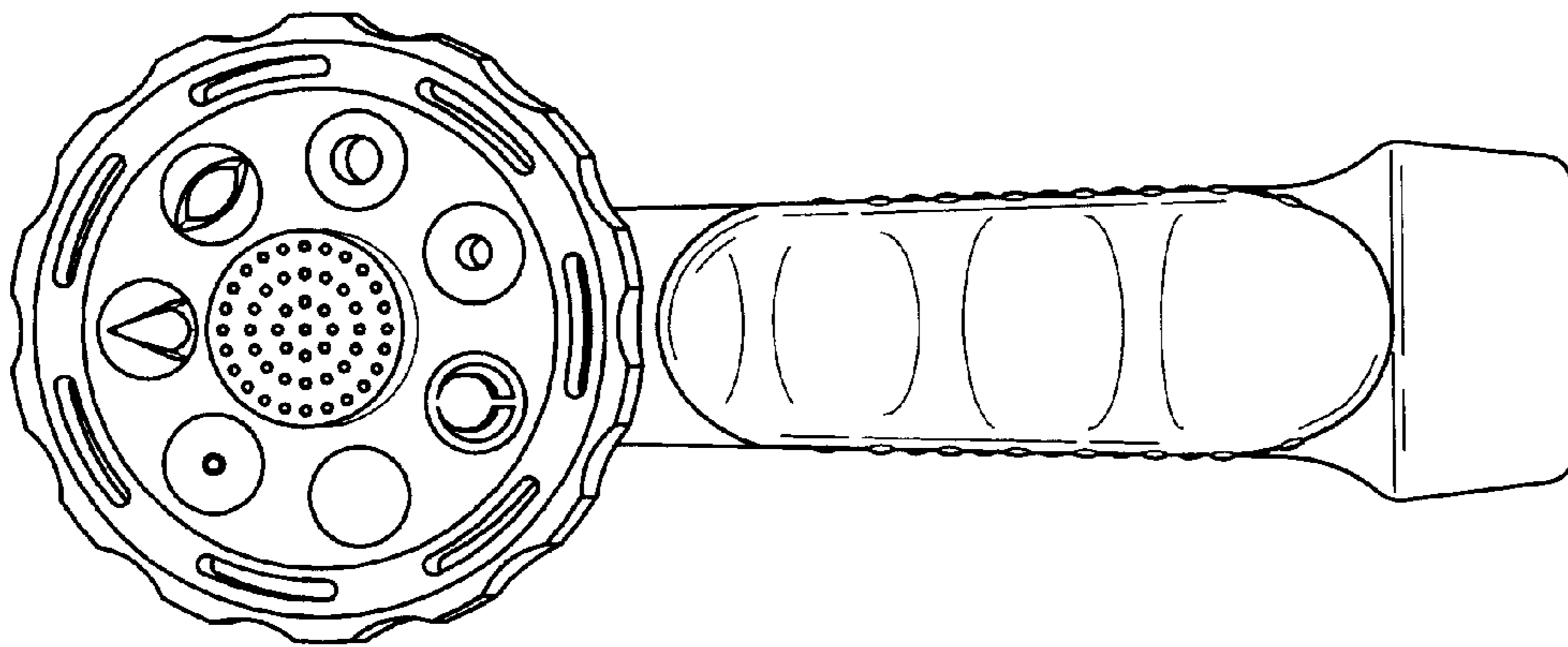


FIG. 2

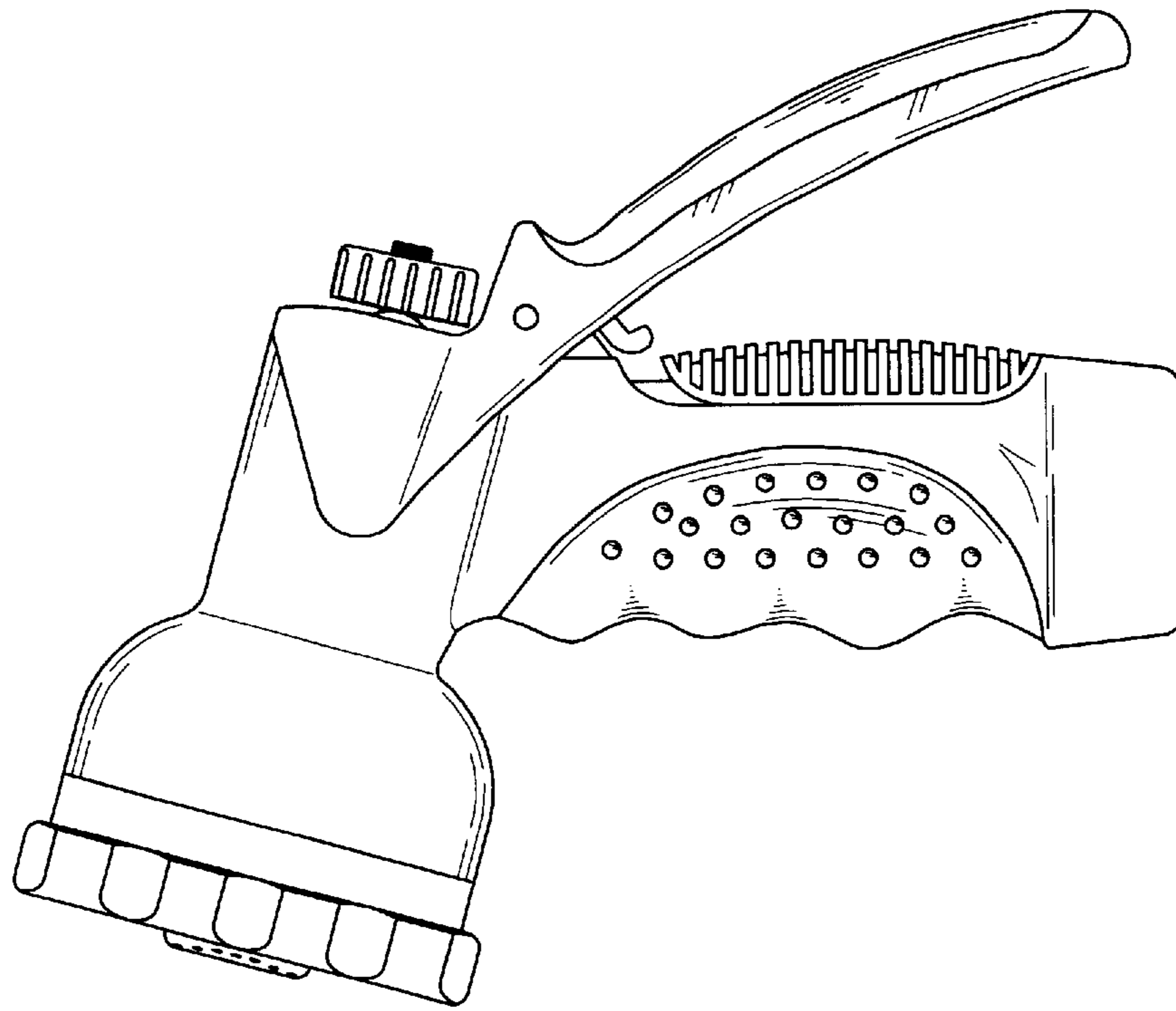


FIG. 5

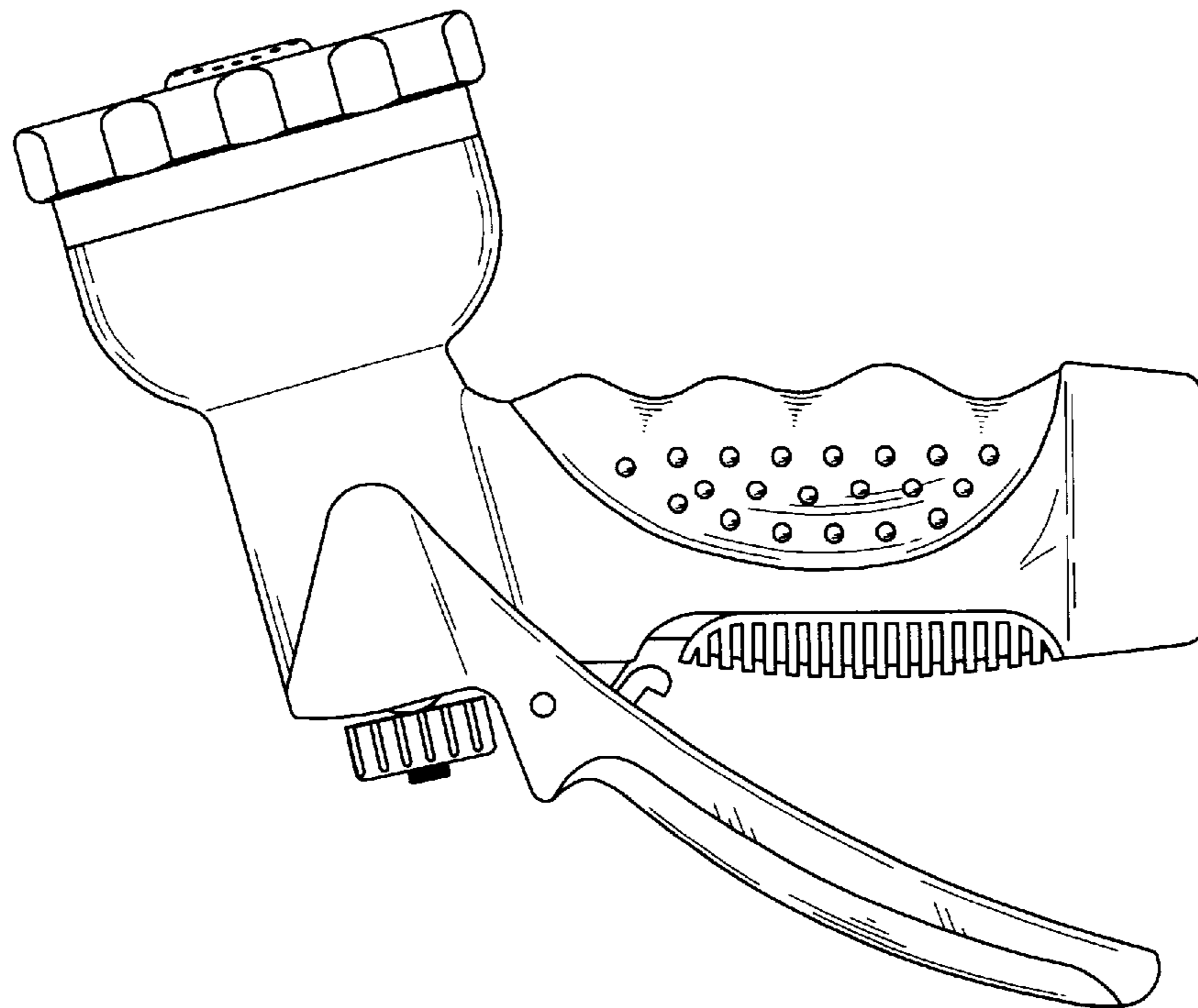


FIG. 4

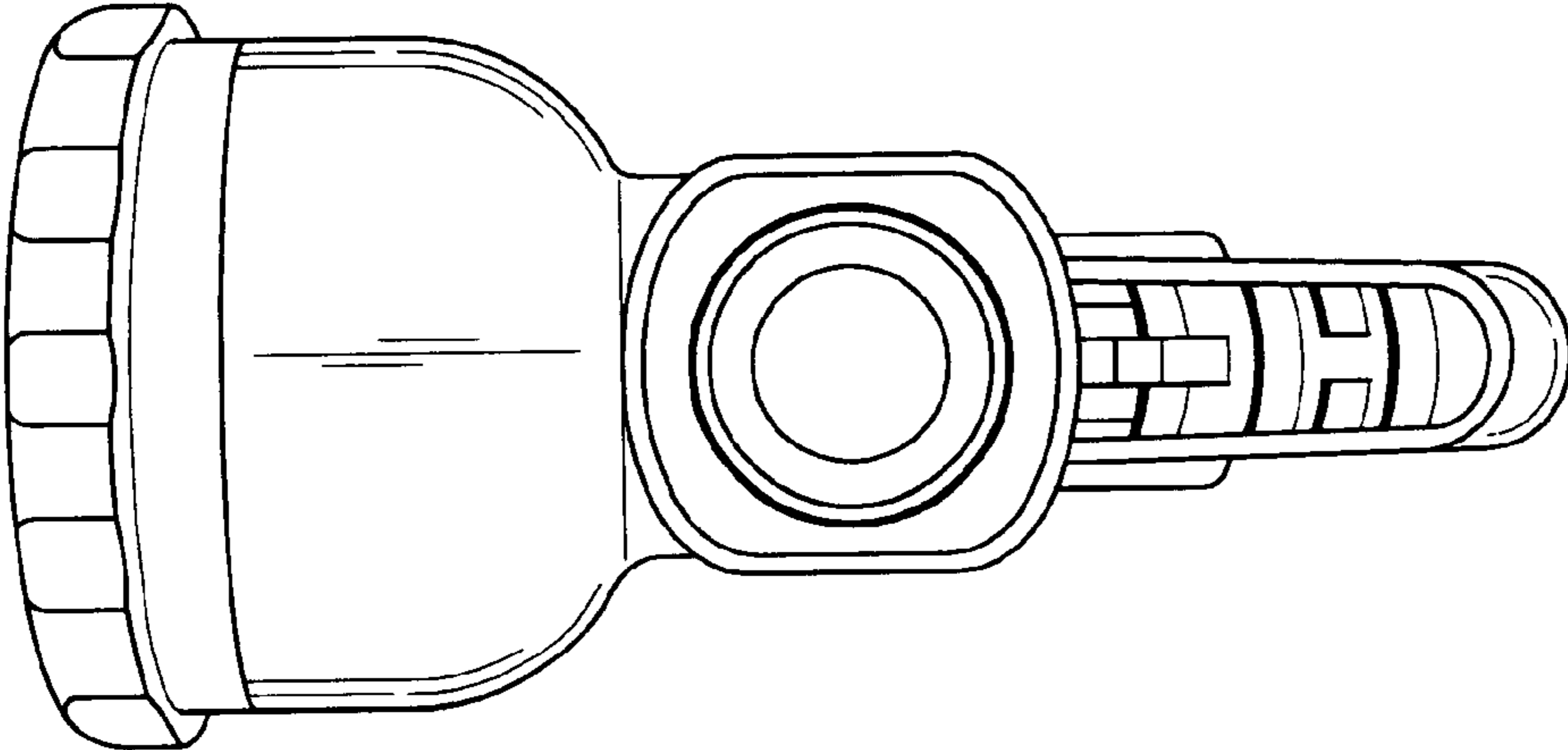


FIG. 7

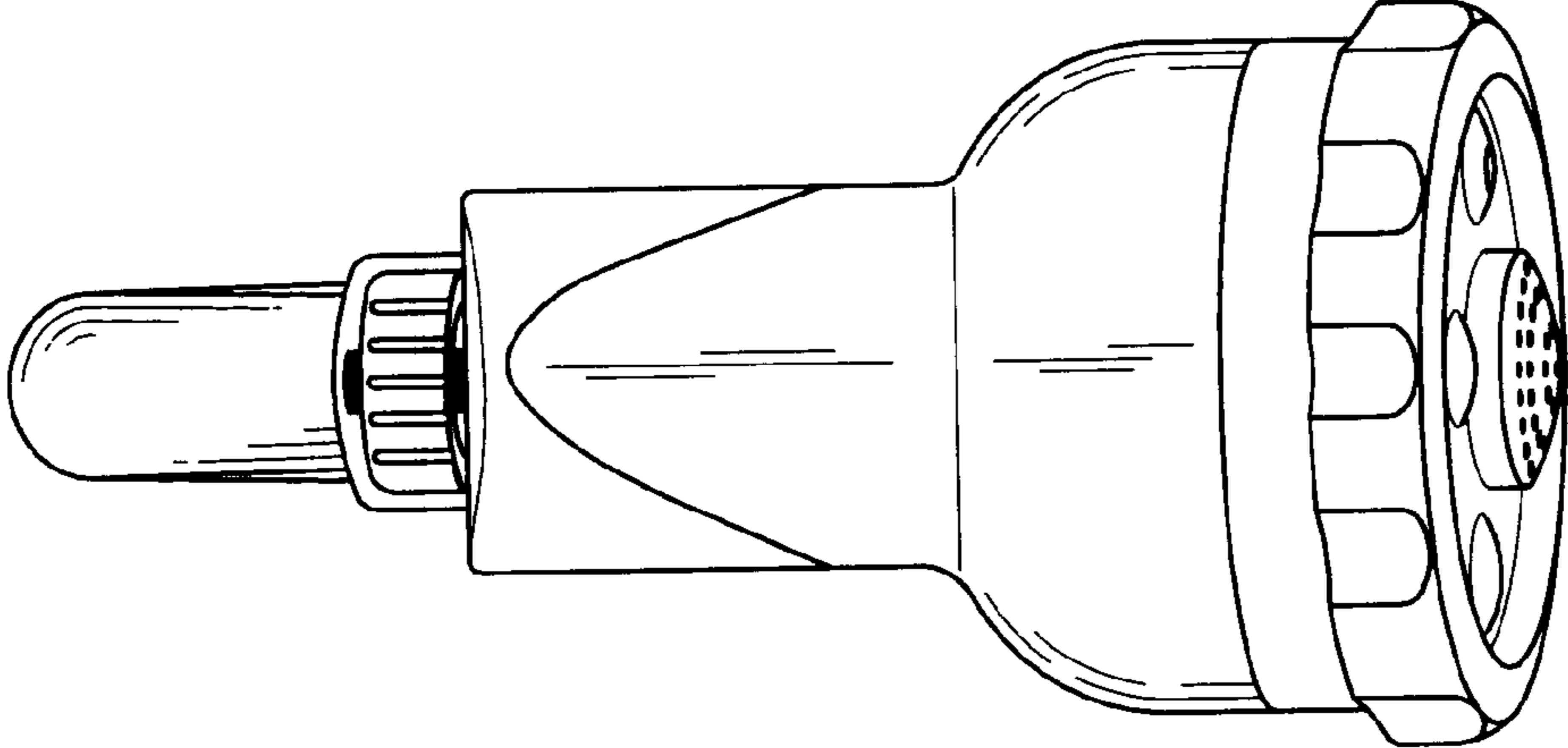


FIG. 6