



US00D517644S

(12) **United States Design Patent**
Mayer

(10) **Patent No.:** **US D517,644 S**
(45) **Date of Patent:** **** Mar. 21, 2006**

(54) **AQUARIUM FILTER**

6,187,179 B1 * 2/2001 Mayer et al. 210/109
6,645,376 B1 * 11/2003 Marioni 210/169

(75) **Inventor:** **Ferdinand Mayer, Oberboihingen (DE)**

* cited by examiner

(73) **Assignee:** **Eheim GmbH & Co. KG, Deizisau (DE)**

Primary Examiner—Robin V. Webster
(74) *Attorney, Agent, or Firm*—Kenyon & Kenyon

(**) **Term:** **14 Years**

(57) **CLAIM**

(21) **Appl. No.:** **29/212,622**

The ornamental design for an aquarium filter, as shown and described.

(22) **Filed:** **Sep. 3, 2004**

(30) **Foreign Application Priority Data**

DESCRIPTION

Mar. 2, 2004 (DE) 4 04 01 337

FIG. 1 is a perspective view showing an embodiment of an aquarium filter showing my new design;
FIG. 2 is a front view thereof;
FIG. 3 is a rear view thereof;
FIG. 4 is a top view thereof;
FIG. 5 is a bottom view thereof;
FIG. 6 is a left side view thereof; and,
FIG. 7 is a right side view thereof.

(51) **LOC (8) Cl.** **23-01**

(52) **U.S. Cl.** **D23/210**

(58) **Field of Classification Search** D23/209,
D23/210; 210/416.2, 167, 169

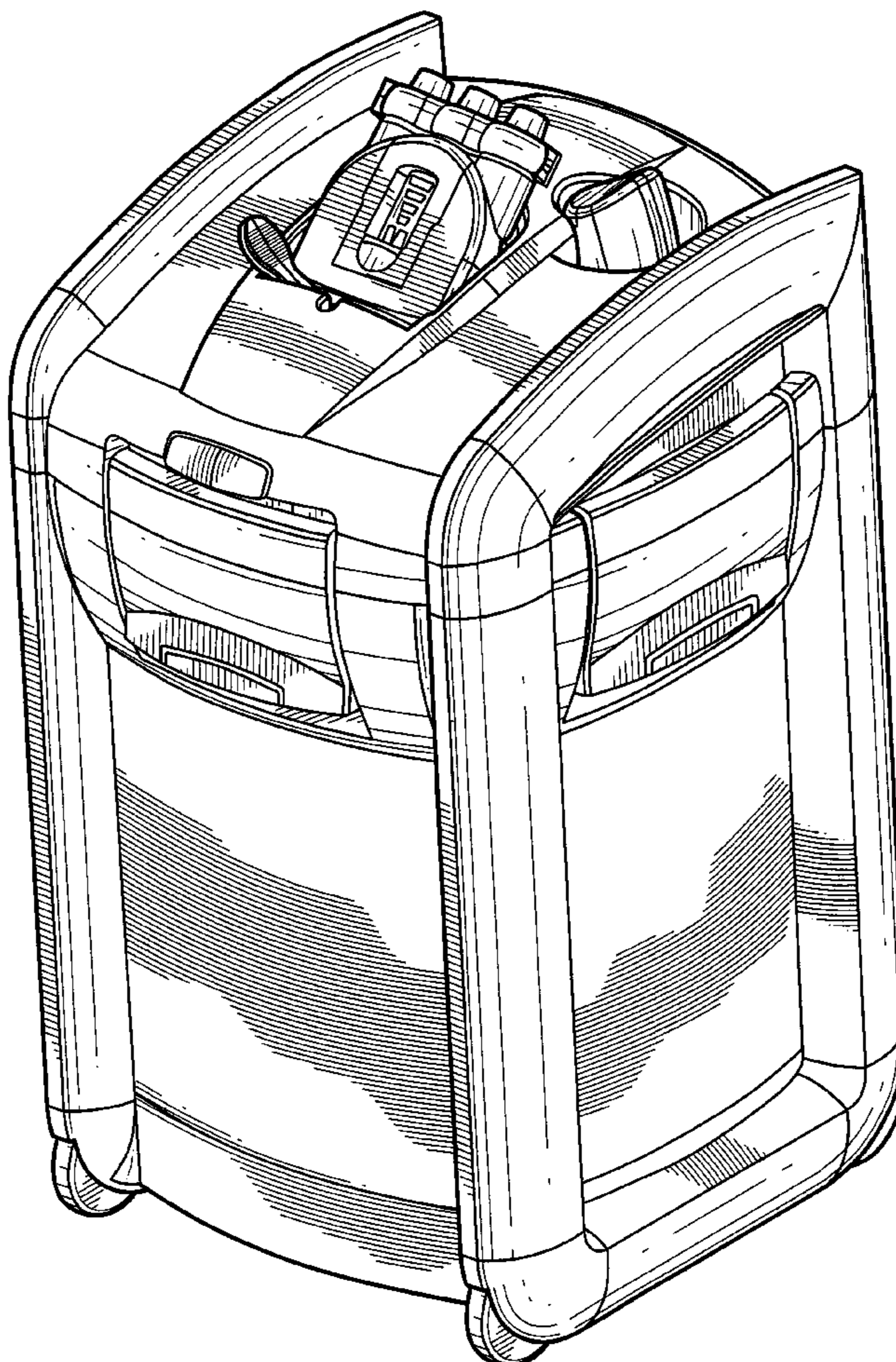
See application file for complete search history.

(56) **References Cited**

U.S. PATENT DOCUMENTS

D428,109 S * 7/2000 Mayer D23/210

1 Claim, 7 Drawing Sheets



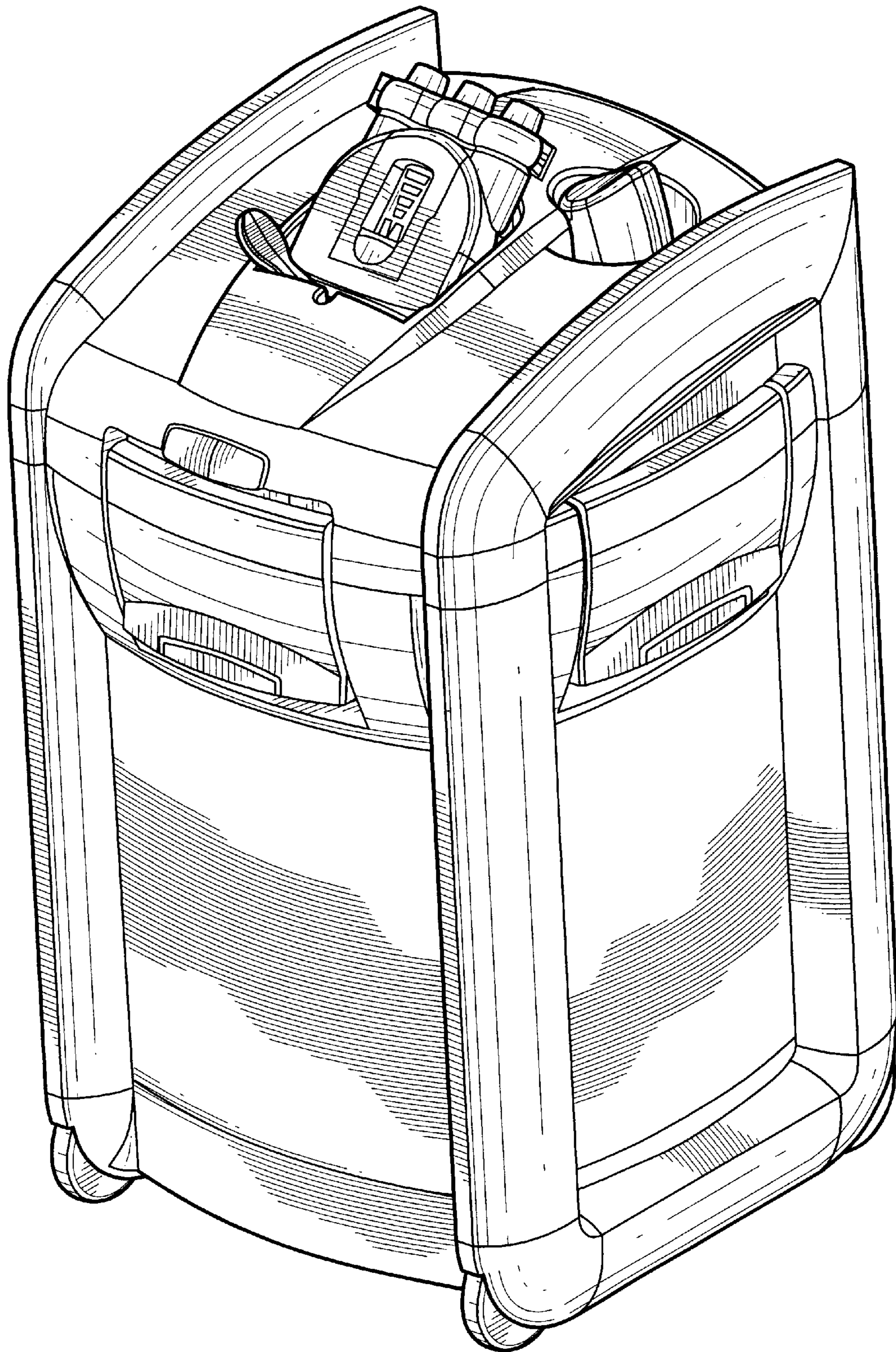


FIG. 1

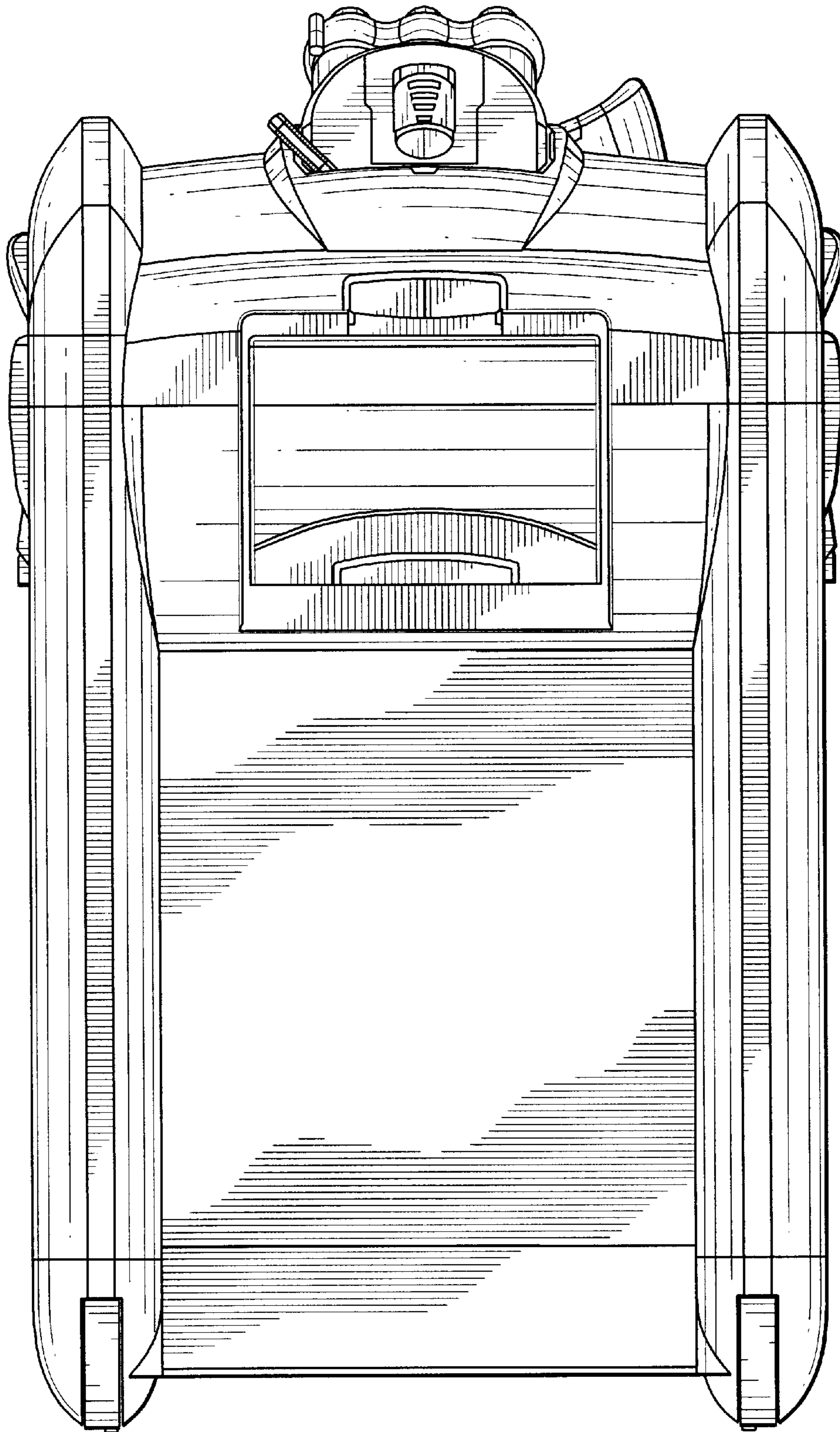


FIG. 2

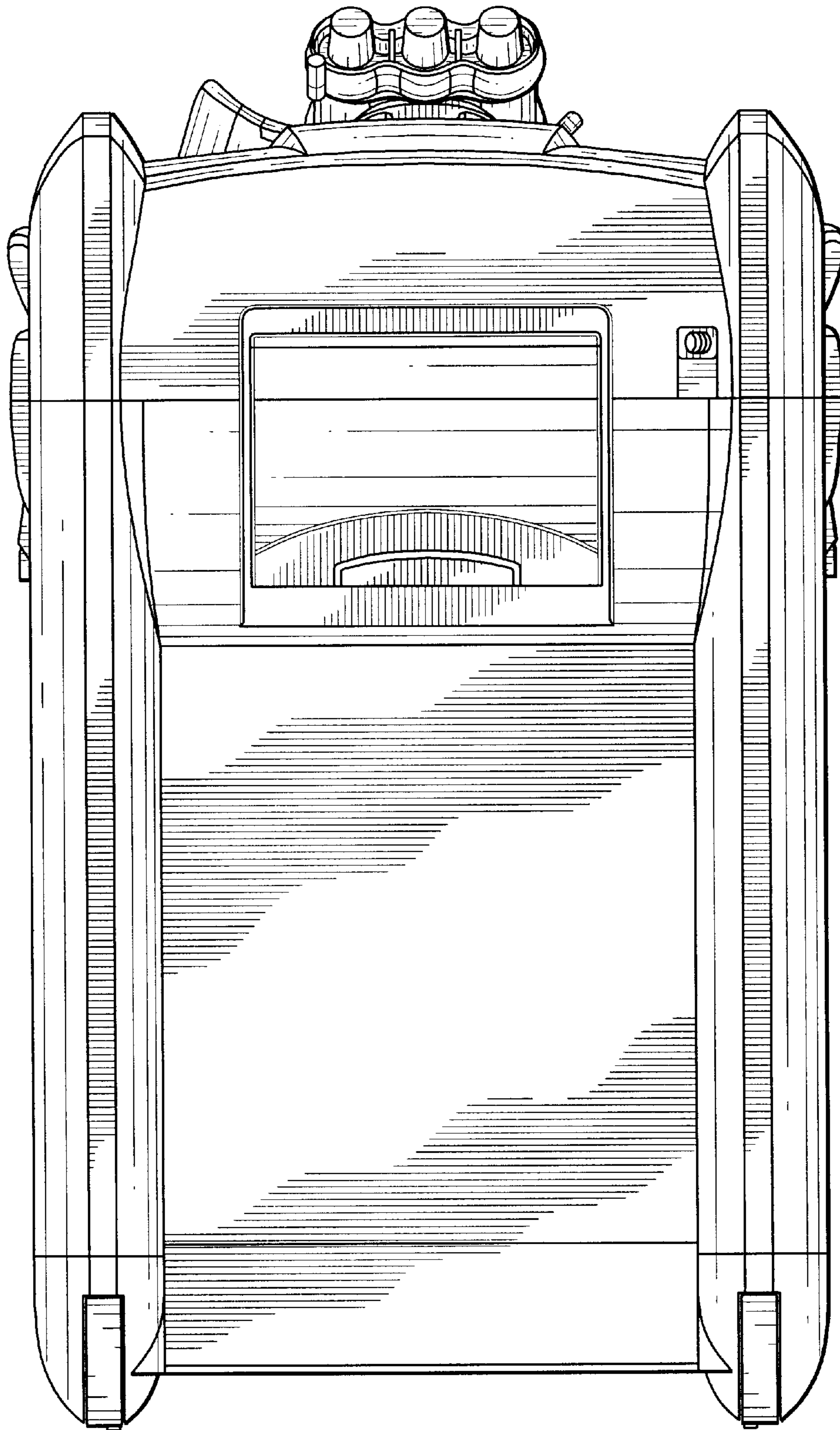


FIG. 3

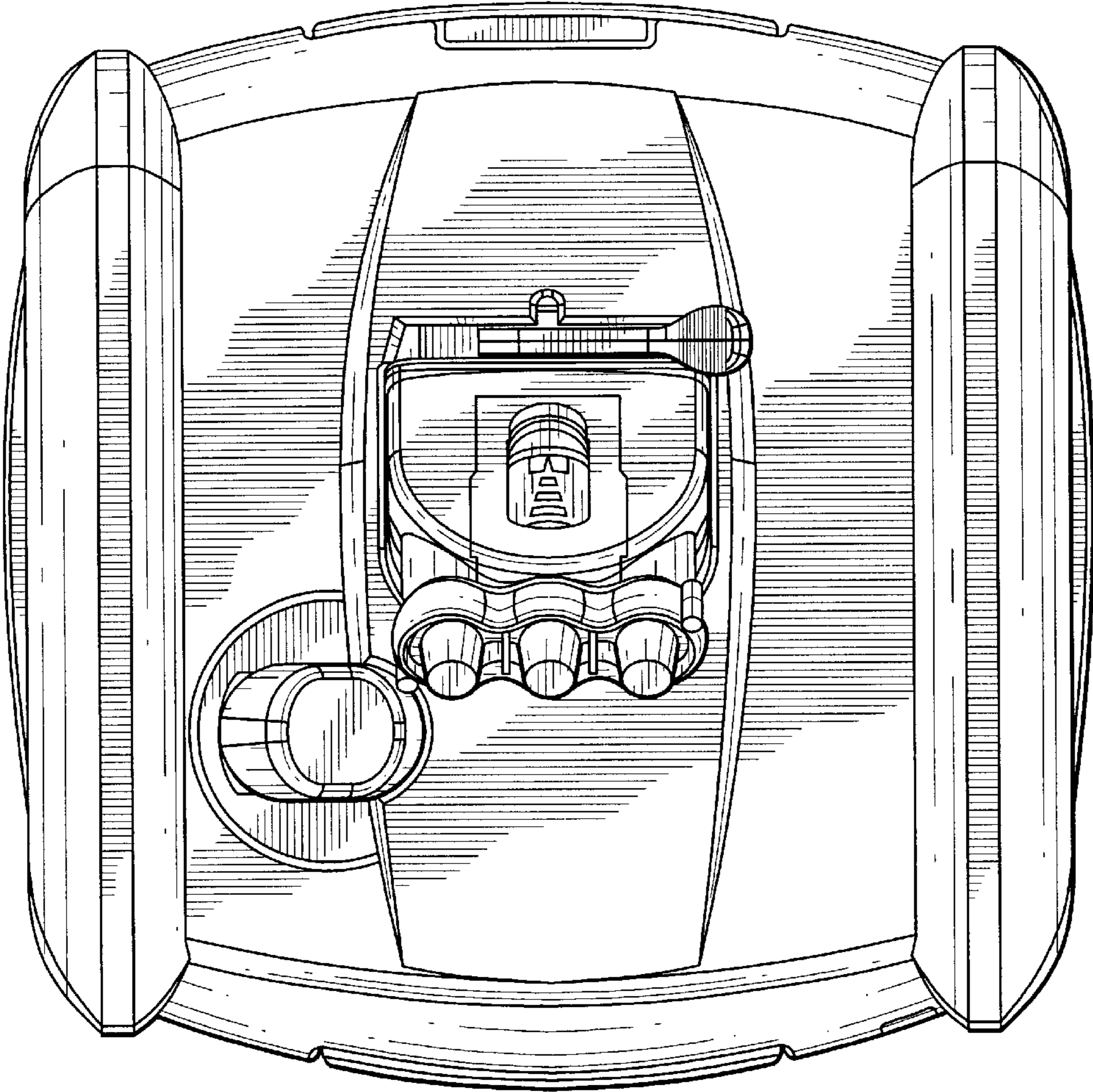


FIG.4

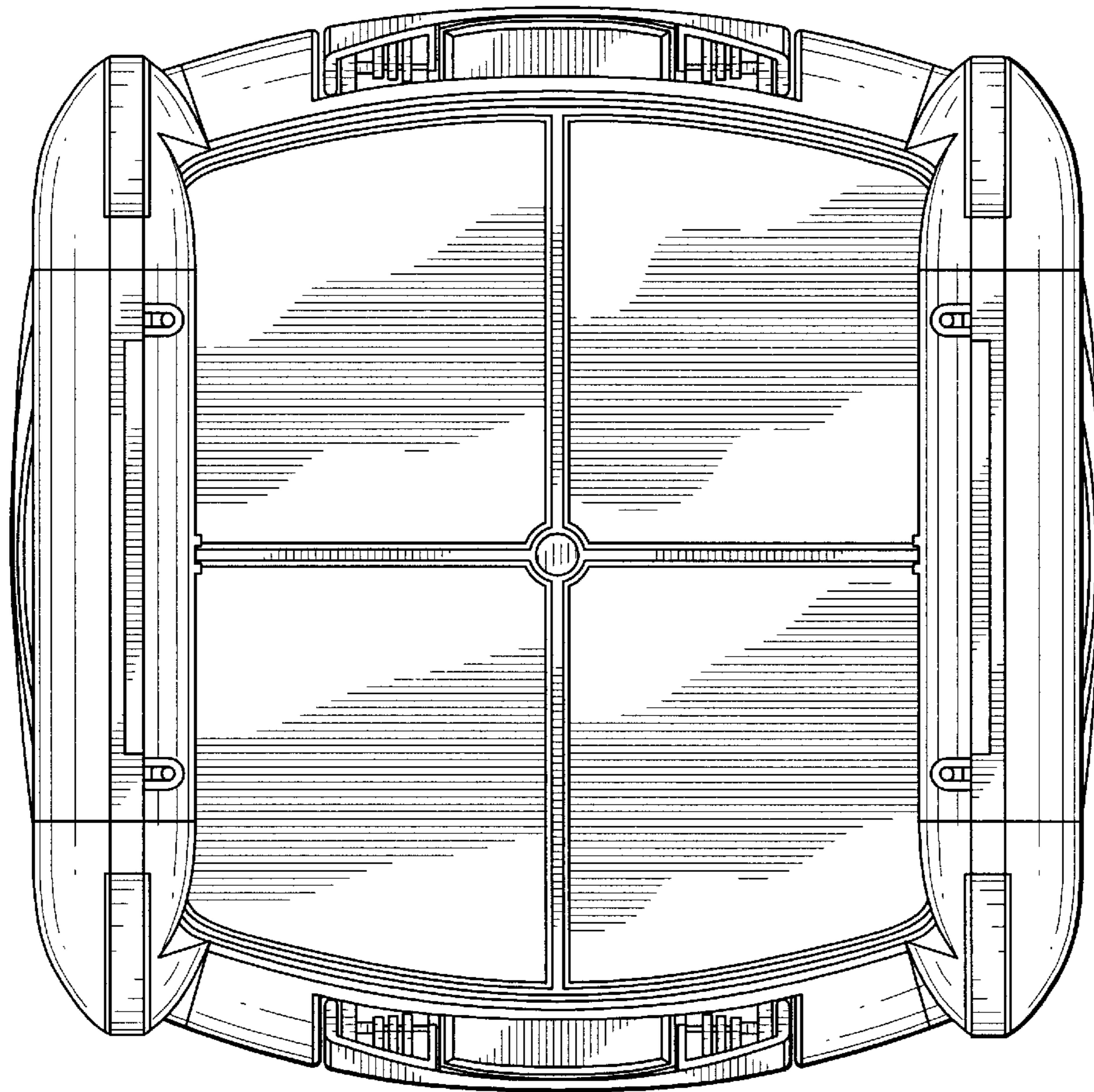


FIG.5

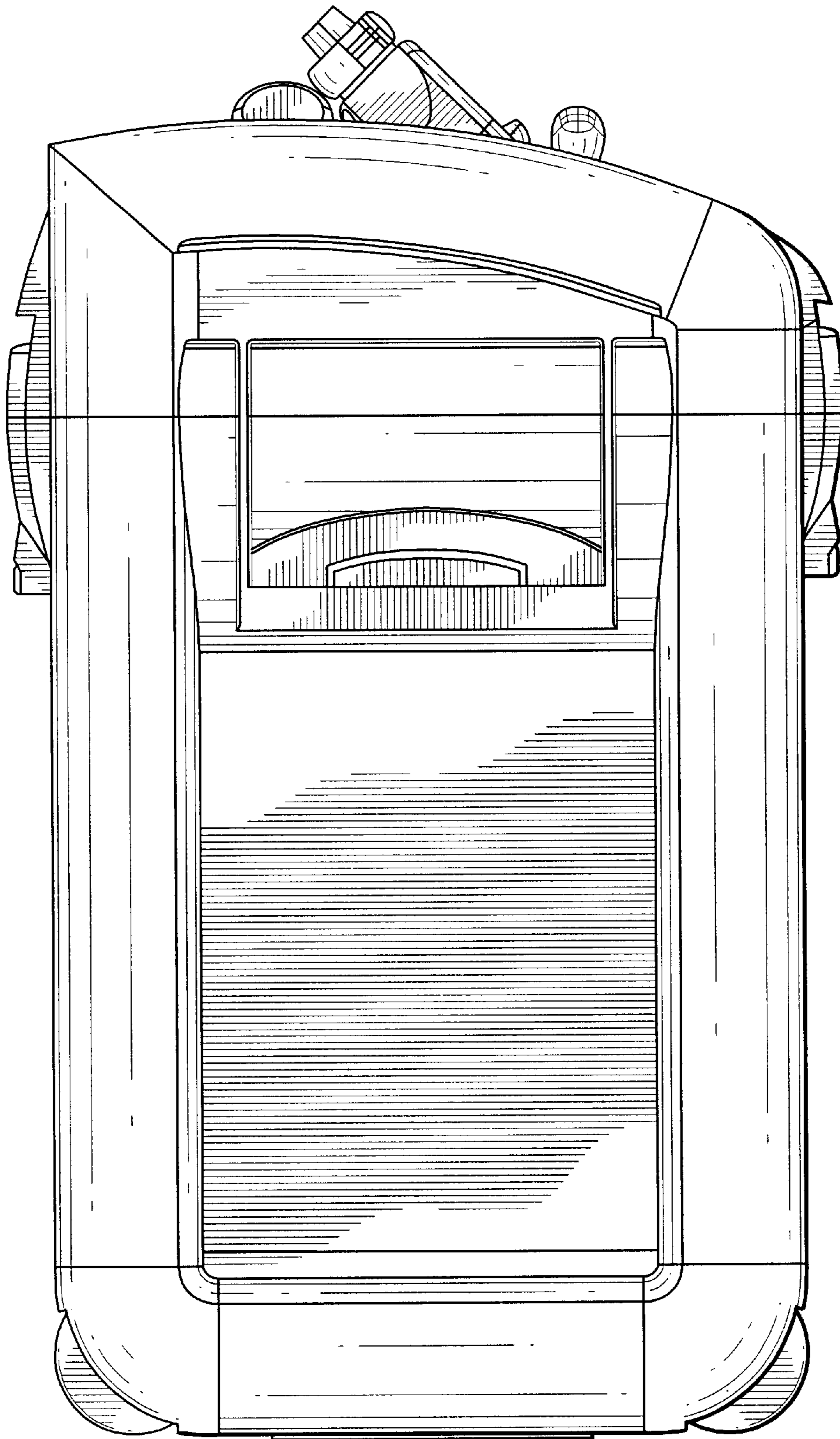


FIG. 6

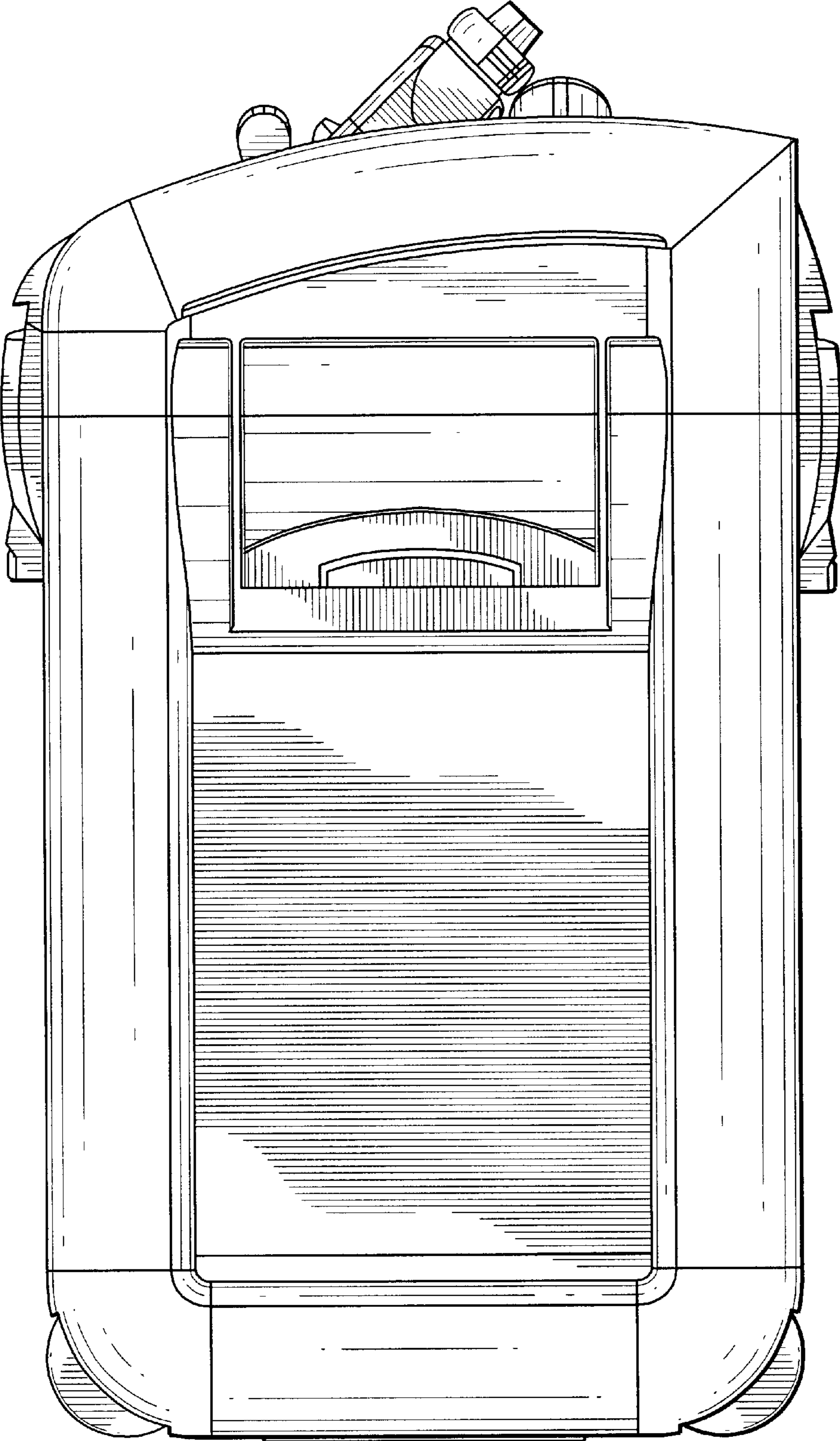


FIG. 7