



US00D517643S

(12) **United States Design Patent**
Thompson

(10) **Patent No.:** **US D517,643 S**
(45) **Date of Patent:** **** Mar. 21, 2006**

(54) **FLOATING CHLORINE DISPENSER**

(76) **Inventor:** **Aaron Thompson, 5812 SW. 115 Ter.,
Cooper City, FL (US) 33330**

(**) **Term:** **14 Years**

(21) **Appl. No.:** **29/219,408**

(22) **Filed:** **Dec. 16, 2004**

(51) **LOC (8) Cl.** **23-01**

(52) **U.S. Cl.** **D23/208**

(58) **Field of Classification Search** **D23/208;**
D21/713, 714, 780, 781; 422/264-5
See application file for complete search history.

(56) **References Cited**

U.S. PATENT DOCUMENTS

1,206,463	A	*	11/1916	Parkinson	601/131
2,934,409	A		4/1960	Biehl		
RE29,728	E		8/1978	Franklin		
D248,986	S	*	8/1978	Nakata	D21/713
4,217,331	A		8/1980	Schaub		
D275,311	S		8/1984	Wolfe		
D286,560	S		11/1986	Wolfe		
4,630,634	A		12/1986	Sasaki et al.		
4,798,707	A		1/1989	Thomas et al.		
D307,460	S		4/1990	Bradford et al.		
D309,493	S	*	7/1990	Casberg	D23/208
5,053,205	A		10/1991	Taylor et al.		
5,055,183	A		10/1991	Buchan		
5,476,116	A		12/1995	Price et al.		
5,611,532	A		3/1997	Forrest, Sr.		
5,795,551	A		8/1998	Powell		

D451,978	S		12/2001	Hood et al.		
D456,061	S	*	4/2002	Hood et al.	D23/208
D461,871	S		8/2002	Flowers		
6,432,371	B1		8/2002	Oliver, Jr.		
D462,732	S	*	9/2002	Morrison et al.	D21/713
6,730,509	B1	*	5/2004	VanErdewyk	435/262
D508,092	S	*	8/2005	Williams-Nicholas	D21/405
D508,543	S	*	8/2005	Ota	D21/713

* cited by examiner

Primary Examiner—Robin V. Webster

(74) *Attorney, Agent, or Firm*—Robert J. Theuerkauf;
Middleton Reutlinger

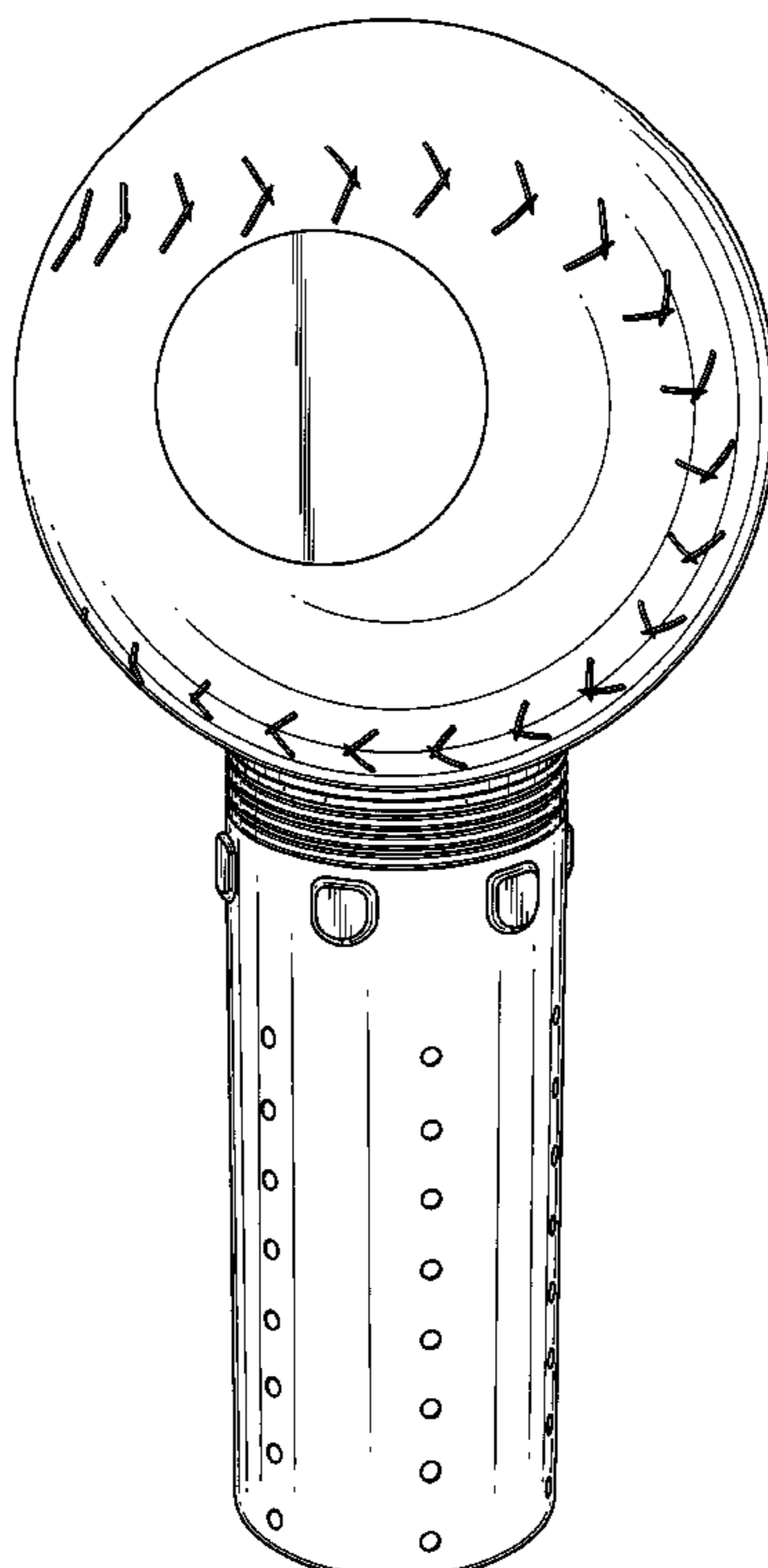
(57) **CLAIM**

The ornamental design for a floating chlorine dispenser, as shown and described.

DESCRIPTION

FIG. 1 is a perspective view of the floating chlorine dispenser showing my design;
FIG. 2 is a top view of the floating chlorine dispenser of FIG. 1;
FIG. 3 is a front view of the floating chlorine dispenser of FIG. 1, the end being a mirror image of the front shown;
FIG. 4 is a bottom view of the floating chlorine dispenser of FIG. 1;
FIG. 5 is a right side view of the floating chlorine dispenser of FIG. 1; and,
FIG. 6 is a left side view of the floating chlorine dispenser of FIG. 1.

1 Claim, 6 Drawing Sheets



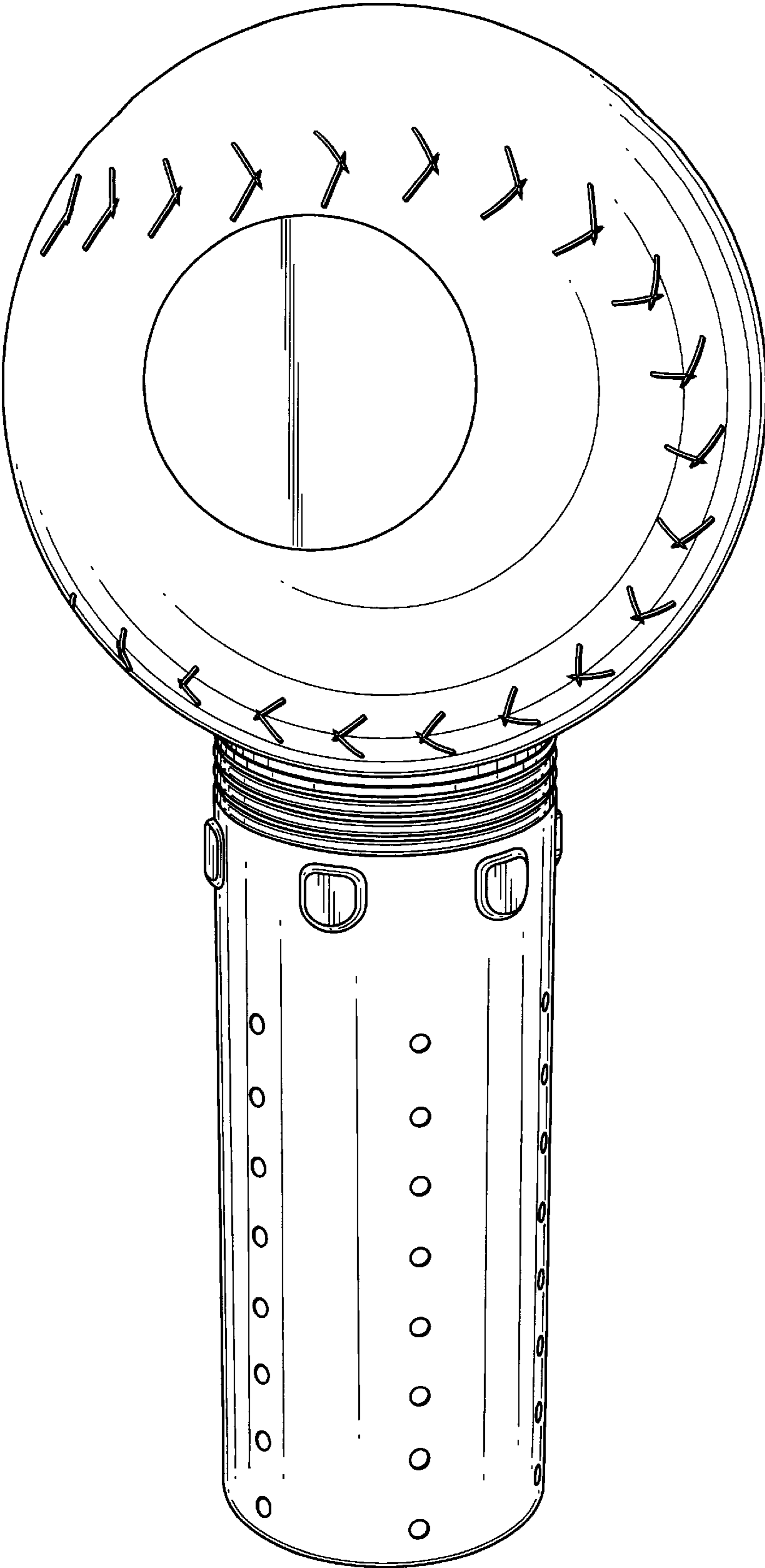


FIG. 1

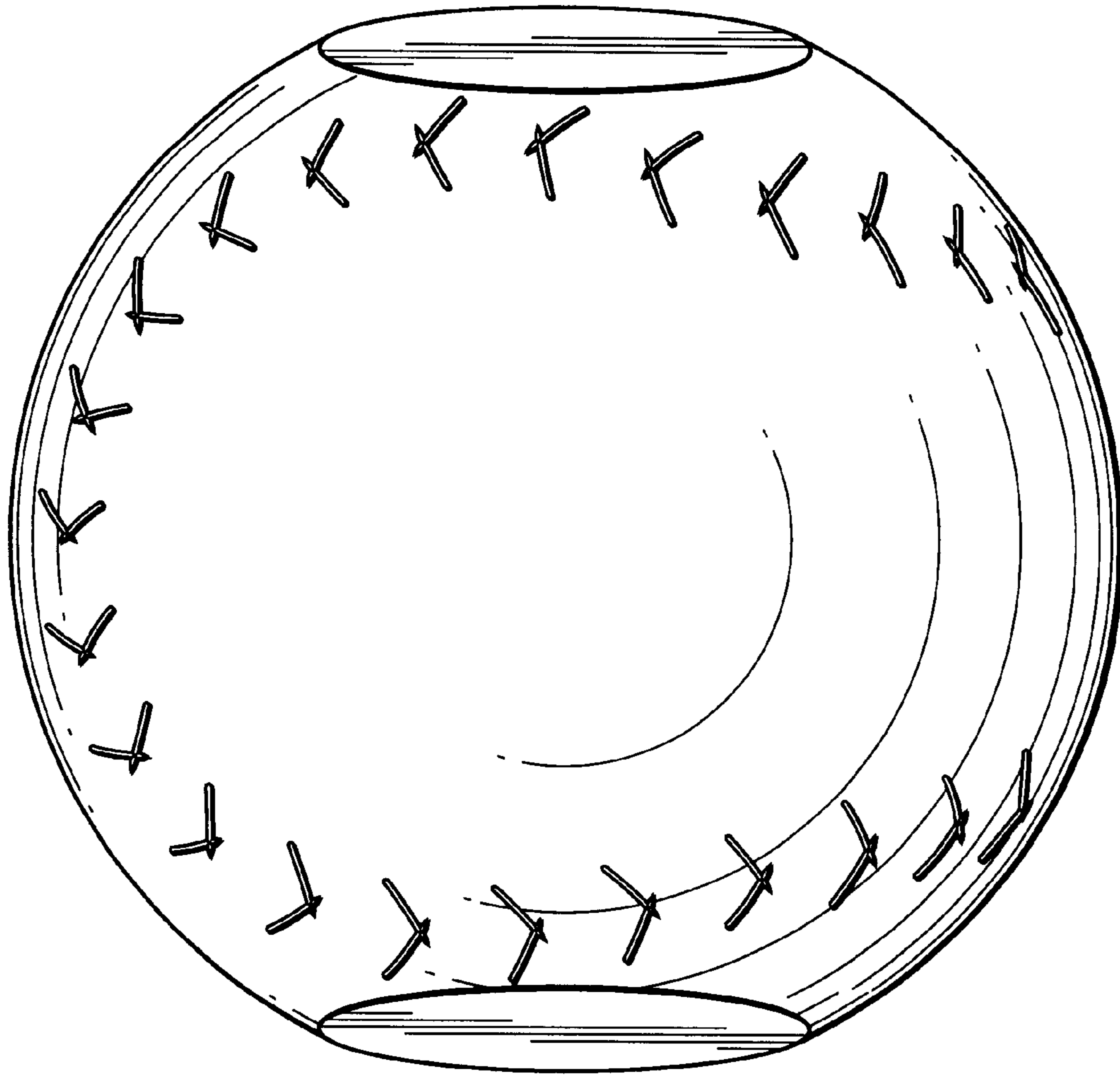


FIG. 2

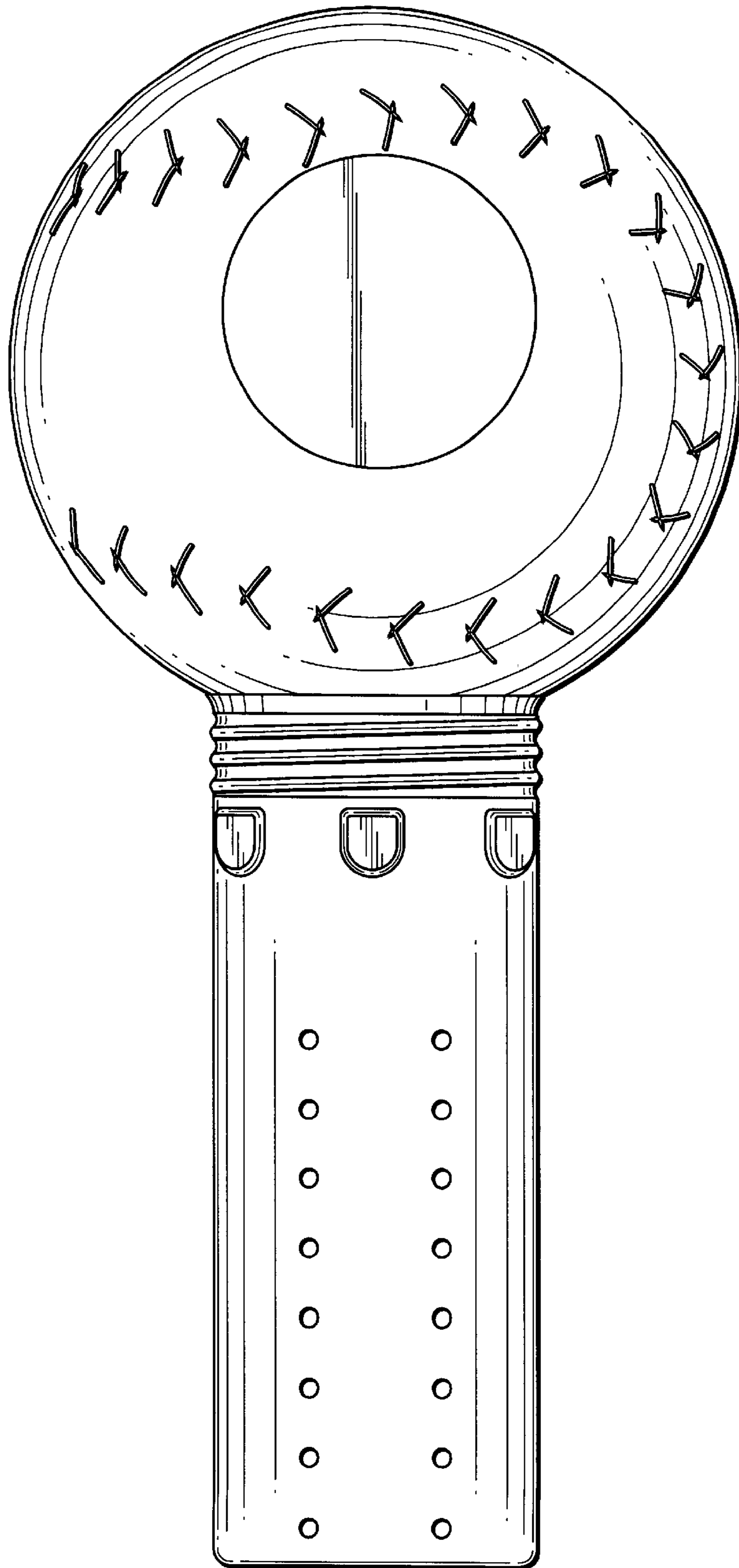


FIG. 3

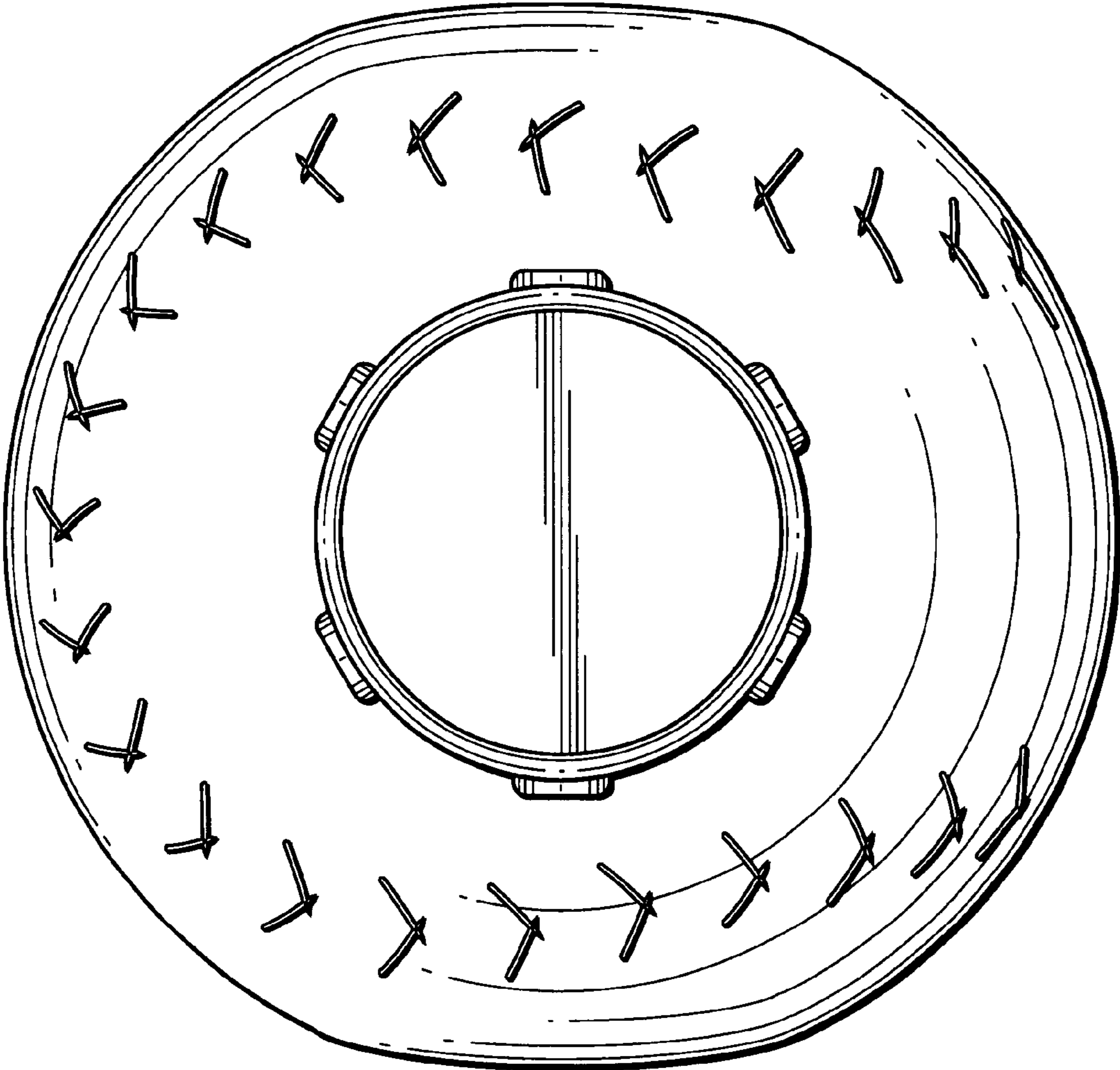


FIG. 4

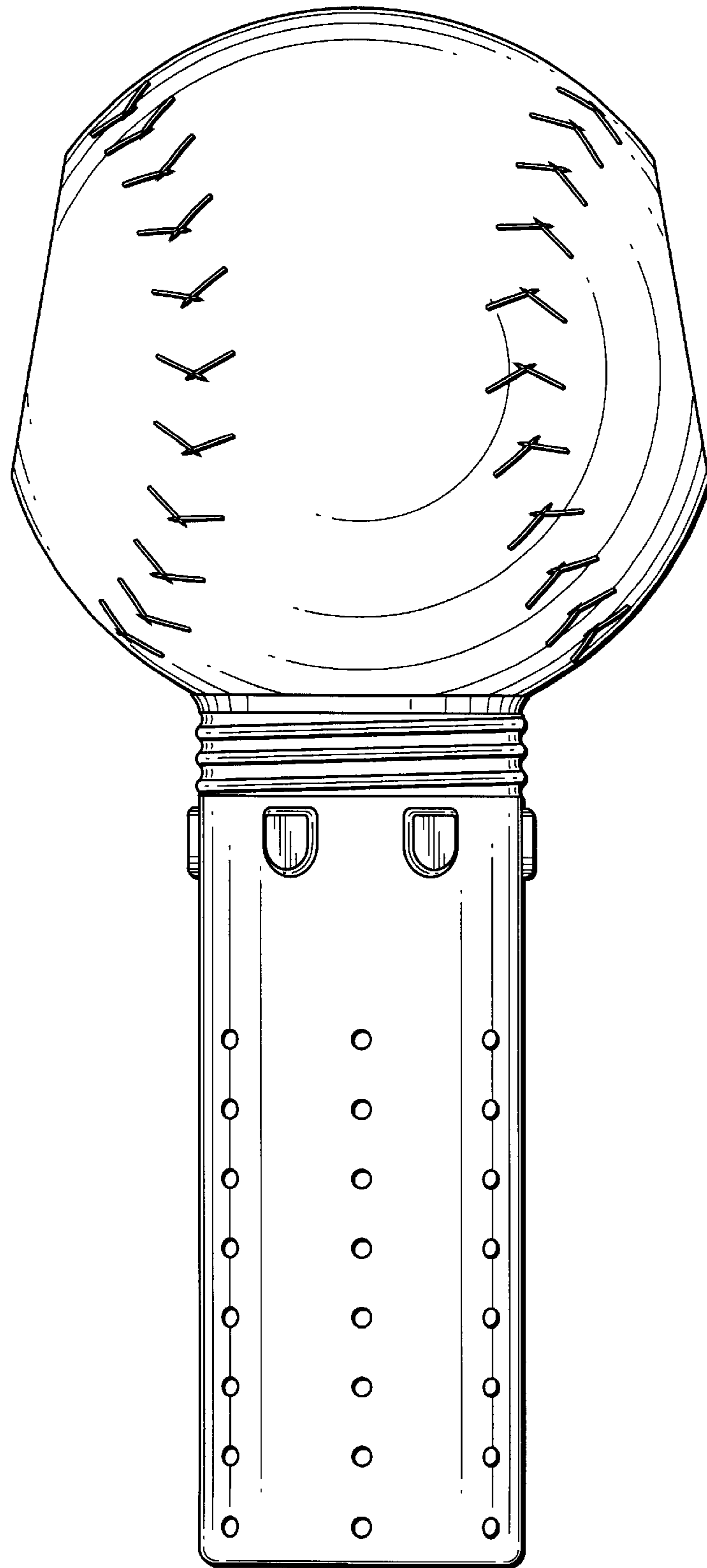


FIG. 5

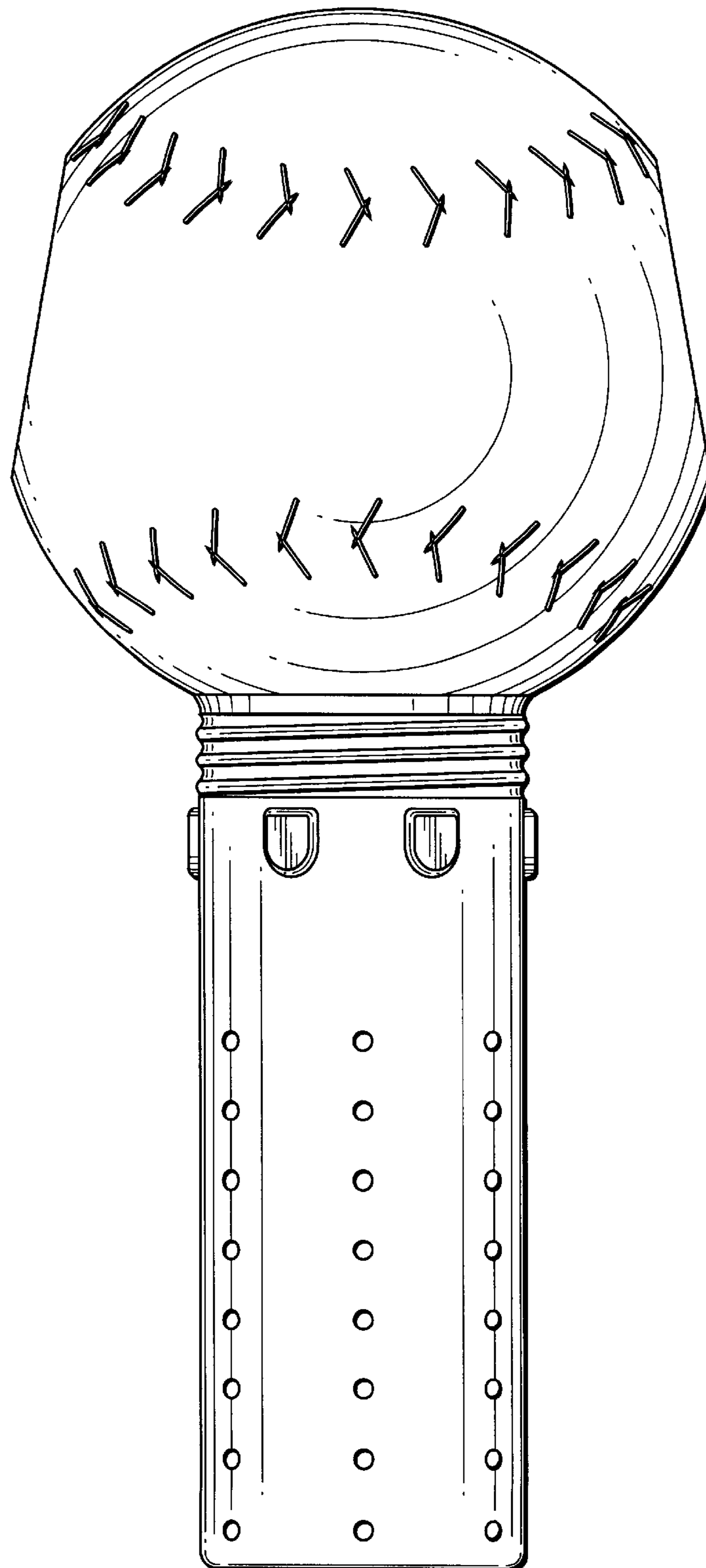


FIG. 6