



US00D517641S

(12) **United States Design Patent**
Nichols

(10) **Patent No.:** **US D517,641 S**
(45) **Date of Patent:** **** Mar. 21, 2006**

(54) **REMOVABLE HEAD FOR A FISHING LURE**

D506,802 S * 6/2005 Larison, Jr. D22/128

(75) Inventor: **Mark S. Nichols**, Stuart, FL (US)

* cited by examiner

(73) Assignee: **D.O.A., Inc.**, Stuart, FL (US)

Primary Examiner—Catherine R. Oliver
(74) *Attorney, Agent, or Firm*—Akerman Senterfitt;
Gregory A. Nelson; Michael K. Dixon

(**) Term: **14 Years**

(21) Appl. No.: **29/220,710**

(57) **CLAIM**

(22) Filed: **Jan. 5, 2005**

The ornamental design for a removable head for a fishing lure, as shown and described.

(51) **LOC (8) Cl.** **22-05**

DESCRIPTION

(52) **U.S. Cl.** **D22/133**

(58) **Field of Classification Search** D22/125–133;
43/42.06, 42.35, 42.36, 42.05, 42.17, 42.16,
43/42.09, 42.28, 42.48, 42.45, 42.44, 42.11
See application file for complete search history.

FIG. 1 is a perspective view of a removable head for a fishing lure according to the invention affixed to a fishing lure.

FIG. 2 is a top view of the removable head of FIG. 1.

FIG. 3 is a bottom view of the removable head of FIG. 1.

FIG. 4 is a left side view of the removable head of FIG. 1.

The right side view of the removable head is a mirror image of the left side view of the removable head.

FIG. 5 is a front view of the removable head of FIG. 1; and,

FIG. 6 is a rear view of the removable head of FIG. 1.

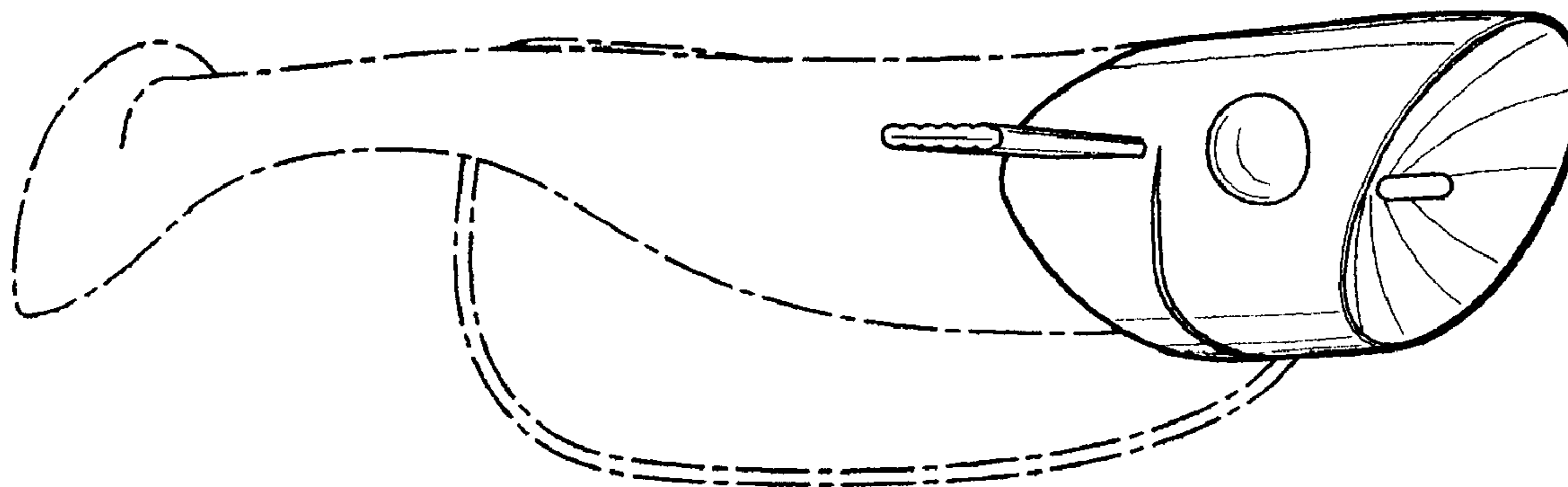
The broken line showing of environment in the drawings is for illustrative purposes only and forms no part of the claimed design.

(56) **References Cited**

U.S. PATENT DOCUMENTS

5,522,170 A	*	6/1996	Cole	43/42.11
D372,955 S	*	8/1996	Gill et al.	D22/128
D375,343 S	*	11/1996	Jones	D22/128
D431,626 S	*	10/2000	Troyer	D22/133
D495,024 S	*	8/2004	Roberts	D22/133

1 Claim, 1 Drawing Sheet



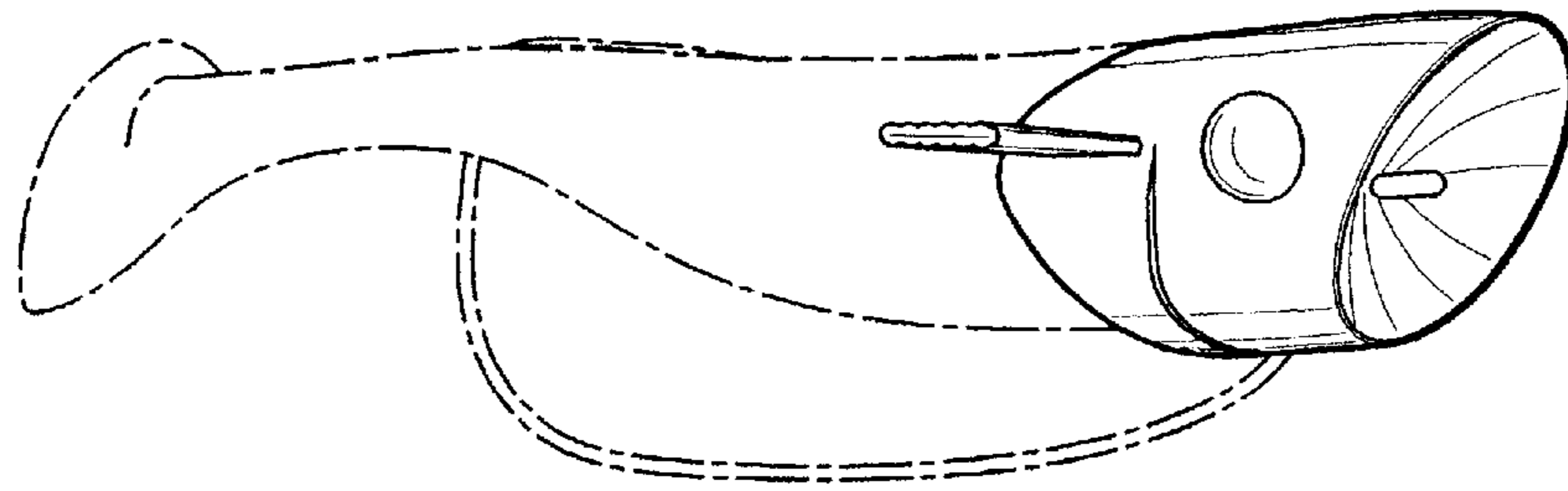


FIG. 1

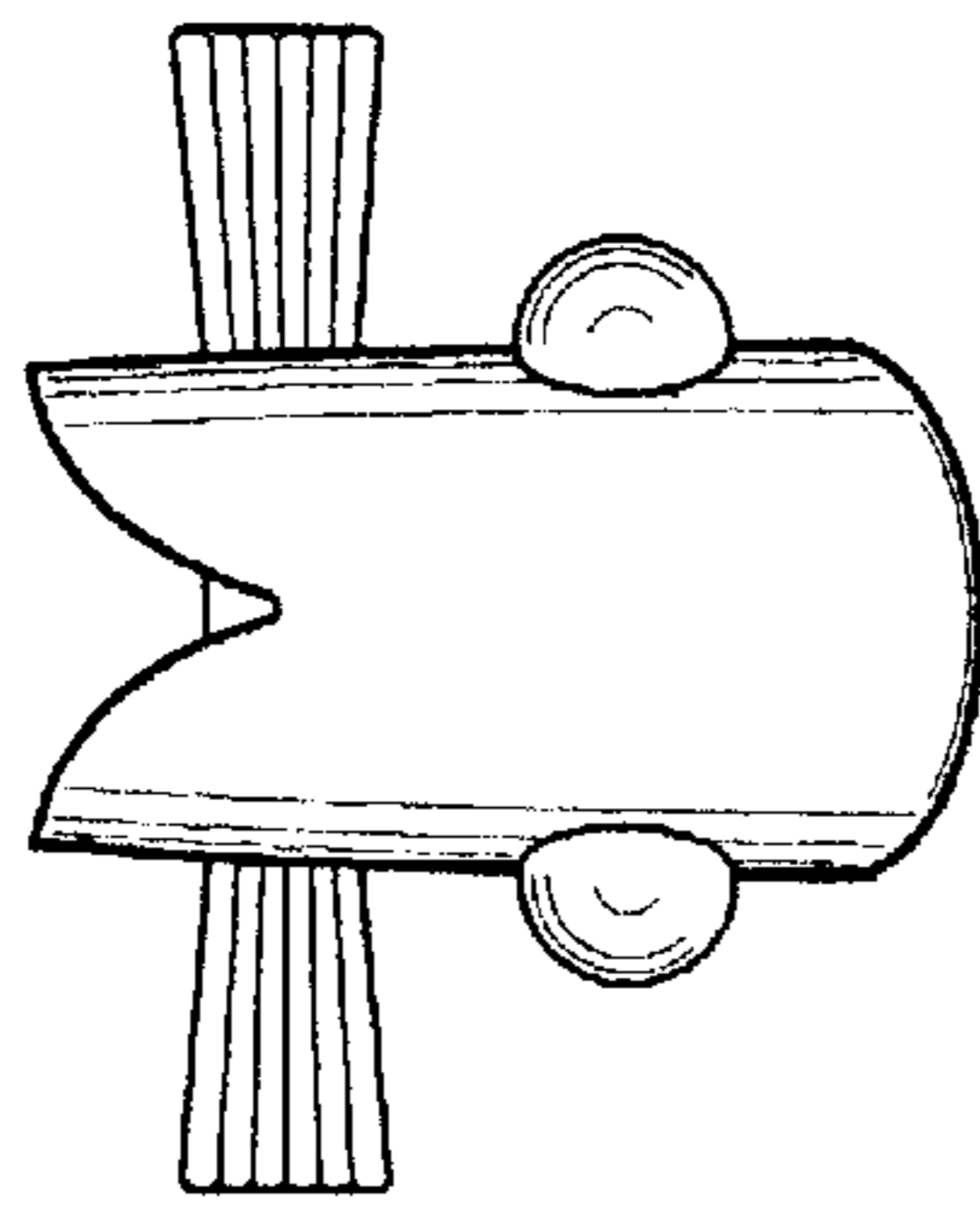


FIG. 2

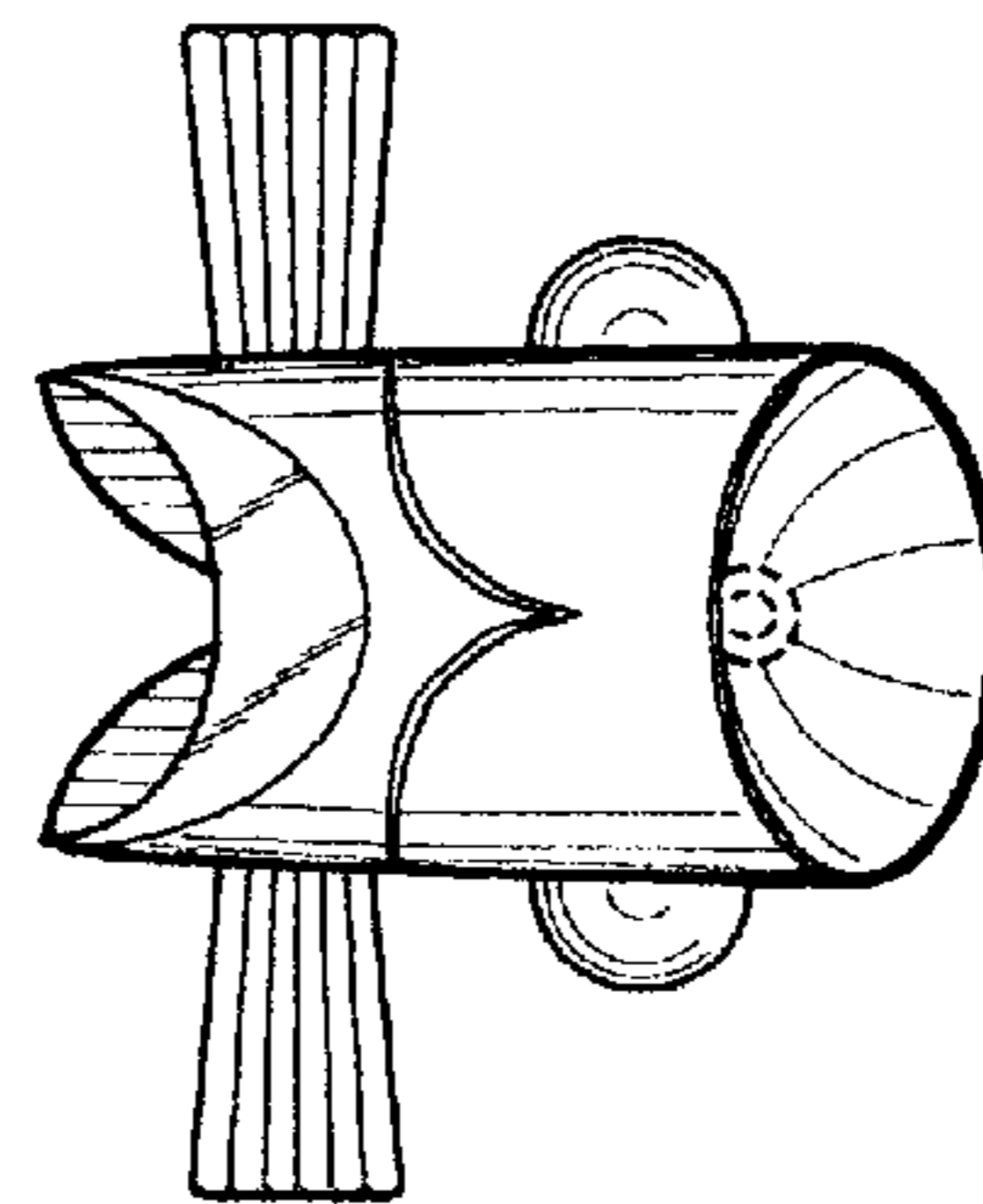


FIG. 3

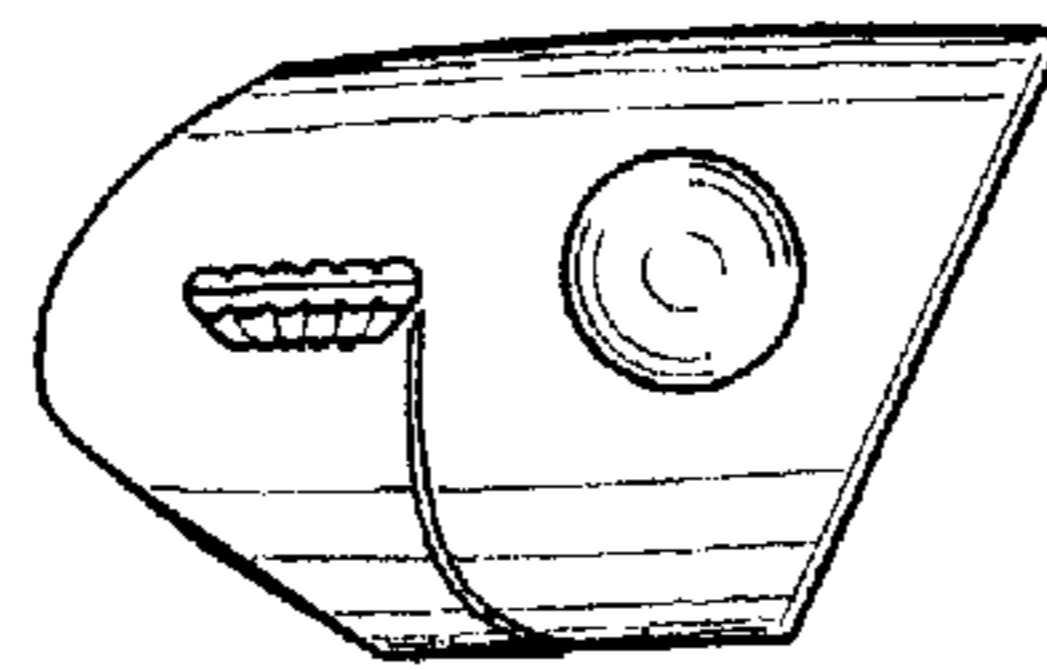


FIG. 4

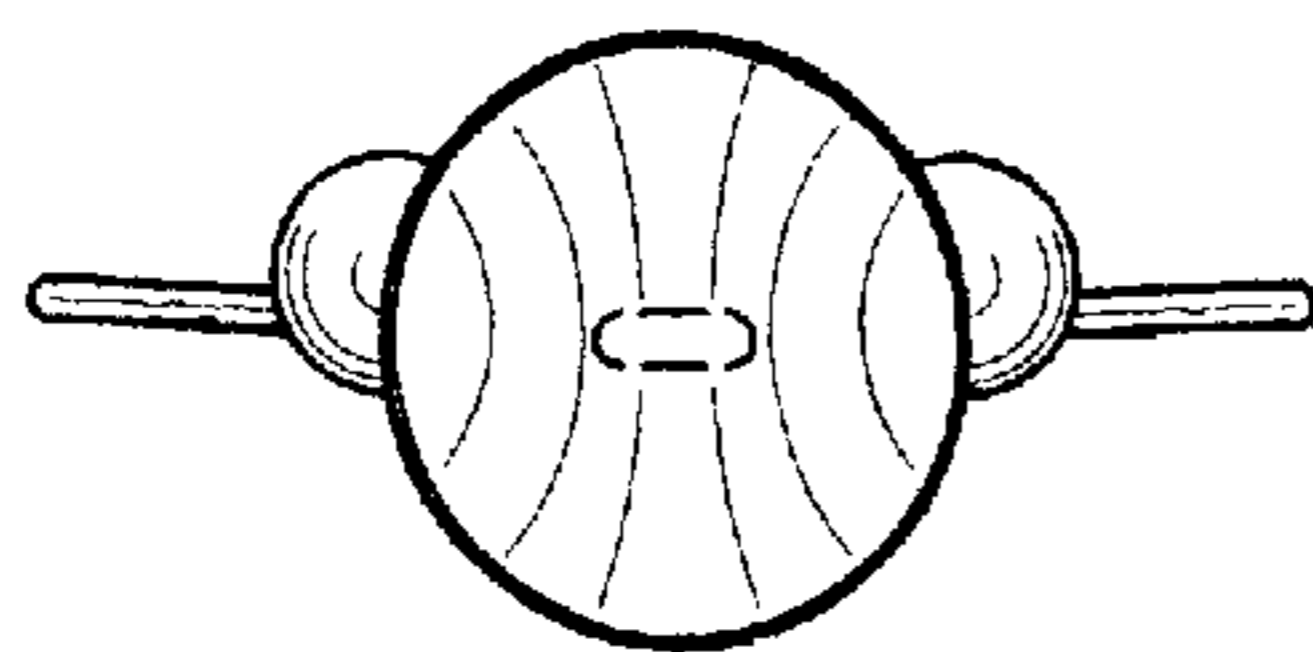


FIG. 5

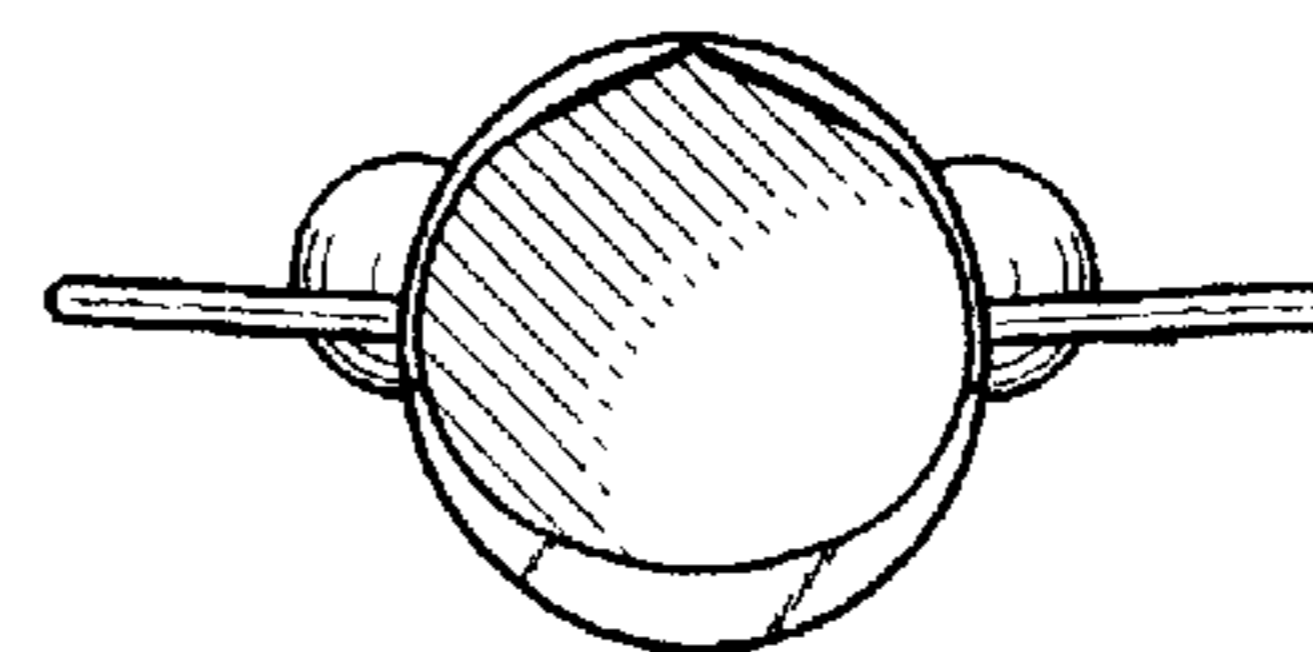


FIG. 6