



US00D517639S

(12) **United States Design Patent**
Sauter et al.

(10) **Patent No.:** **US D517,639 S**
(45) **Date of Patent:** **** Mar. 21, 2006**

(54) **FUSED MULTI-SPECTRAL WEAPON SIGHT**

(75) Inventors: **Kenneth W. Sauter**, Garland, TX (US);
John Murphy, Arlington, TX (US);
John Geruntho, Heath, TX (US)

(73) Assignee: **Litton Systems, Inc.**, Los Angeles, CA (US)

(**) Term: **14 Years**

(21) Appl. No.: **29/219,582**

(22) Filed: **Dec. 17, 2004**

(51) **LOC (8) Cl.** **22-01**

(52) **U.S. Cl.** **D22/109; D16/132**

(58) **Field of Classification Search** D16/130,
D16/132, 200, 202, 210, 217, 218; D22/101,
D22/108, 109, 110; 359/419, 420, 809-812,
359/818-821, 827, 829

See application file for complete search history.

(56) **References Cited**

U.S. PATENT DOCUMENTS

4,669,833 A * 6/1987 Mise 359/420
D369,367 S * 4/1996 Tomita D16/132
D374,022 S * 9/1996 Meinzer D16/132
D394,664 S * 5/1998 Konno D16/132

D395,440 S * 6/1998 Ogasawara et al. D16/132
5,796,516 A * 8/1998 Palmer 359/399
D420,718 S * 2/2000 Otteman et al. D22/109
D439,259 S * 3/2001 Yamaguchi D16/132
D477,343 S * 7/2003 Miyashita D16/202

* cited by examiner

Primary Examiner—Paula A. Greene

(74) *Attorney, Agent, or Firm*—Marsteller & Associates, P.C.

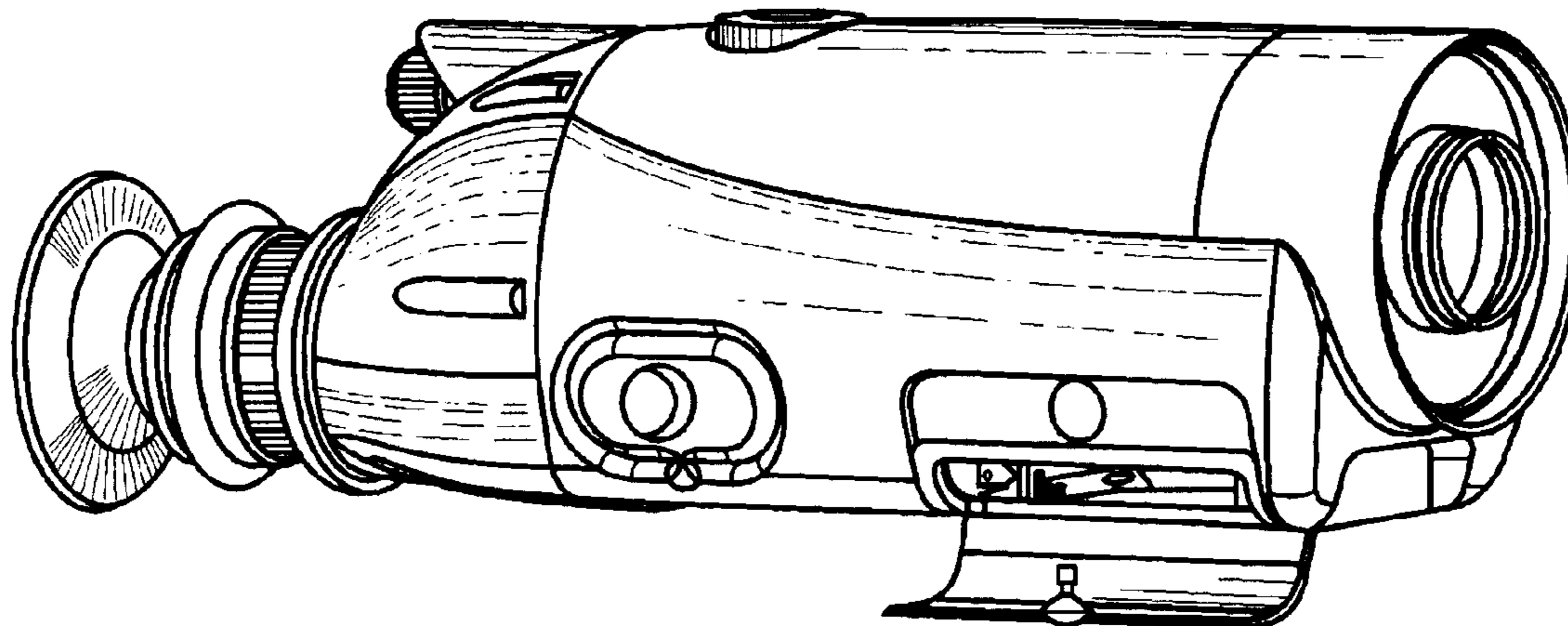
(57) **CLAIM**

The ornamental design for a fused multi-spectral weapon sight, as shown and described.

DESCRIPTION

FIG. 1 is a right side elevational view of a fused multi-spectral weapon sight showing my new design with the electronic card door being open;
FIG. 2 is a left rear isomeric view thereof;
FIG. 3 is a bottom view thereof;
FIG. 4 is a top view thereof;
FIG. 5 is a front view thereof;
FIG. 6 is a rear view thereof;
FIG. 7 is a left side view thereof; and,
FIG. 8 is a right side view thereof.

1 Claim, 4 Drawing Sheets



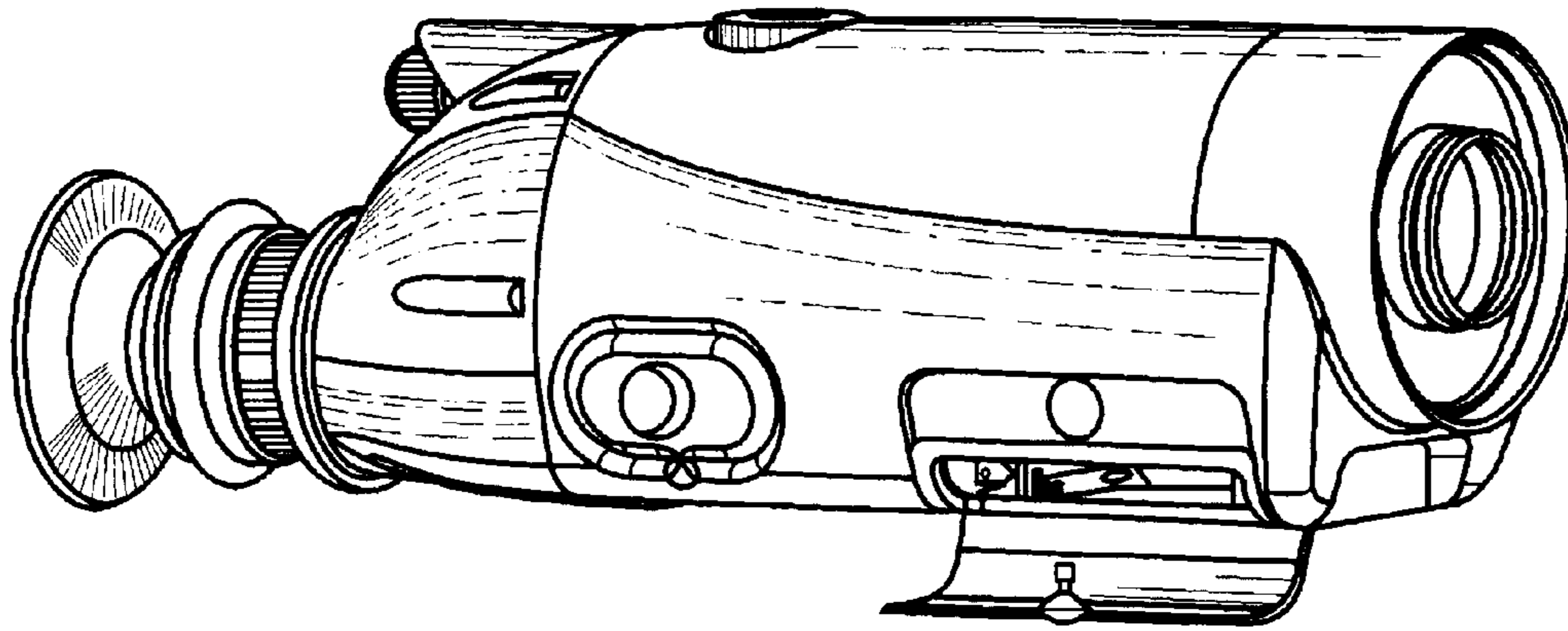


FIG. 1

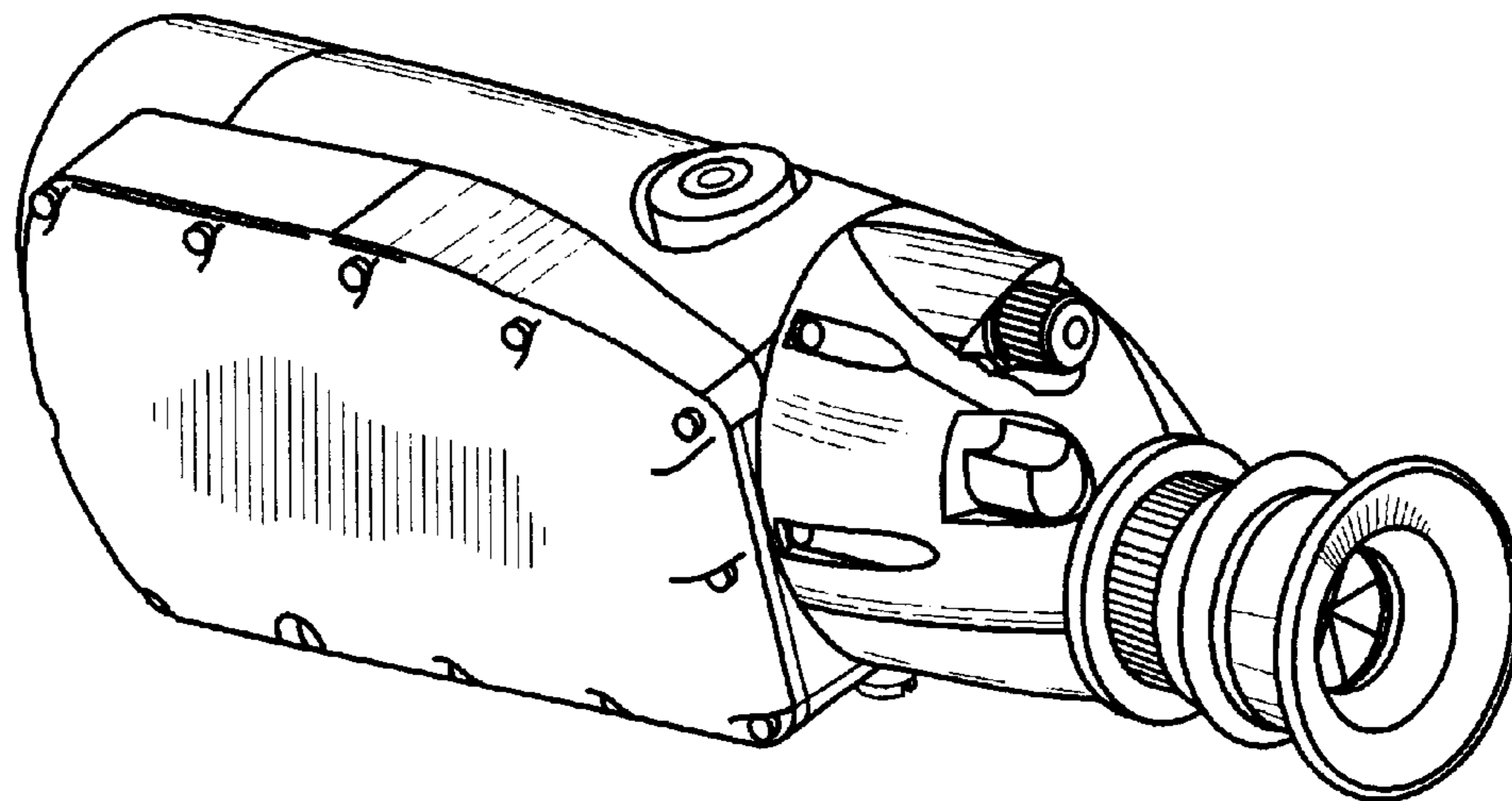


FIG. 2

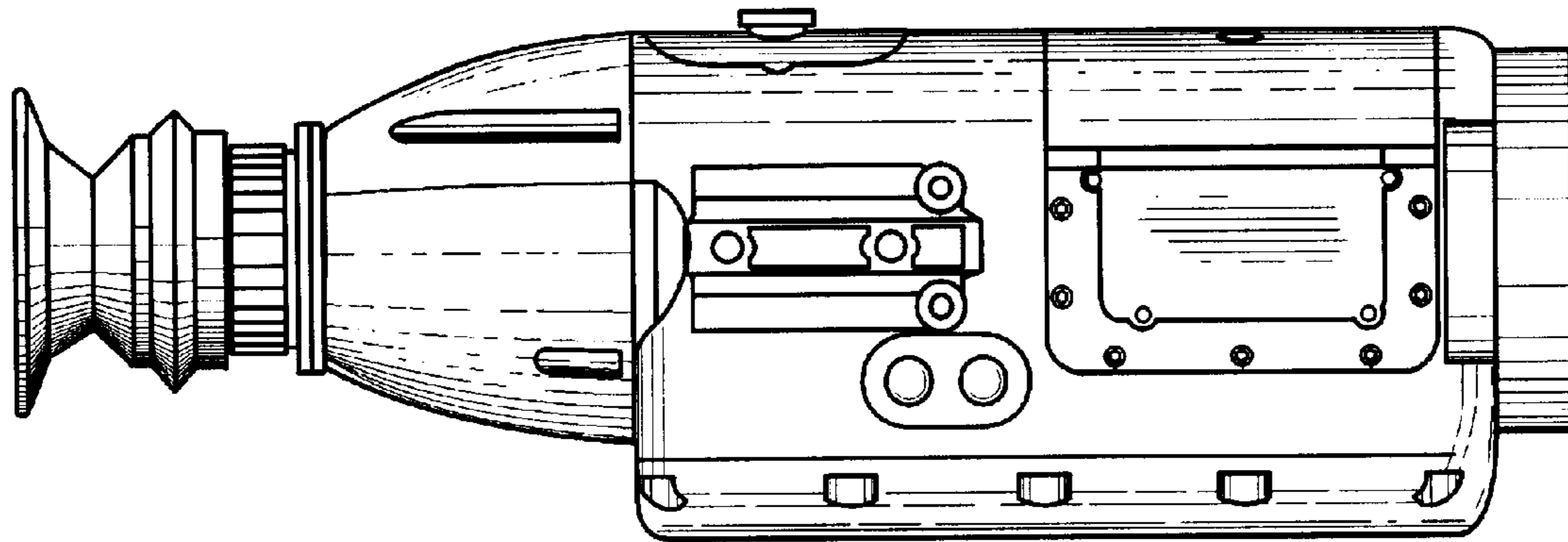


FIG. 3

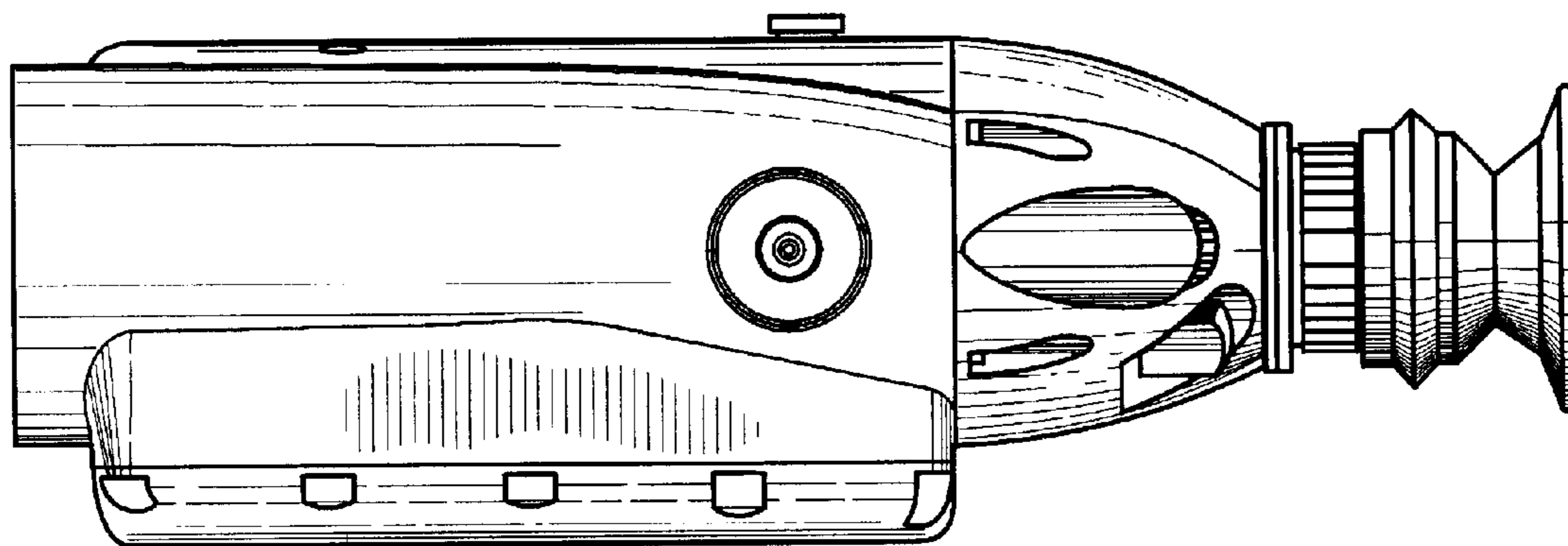


FIG. 4

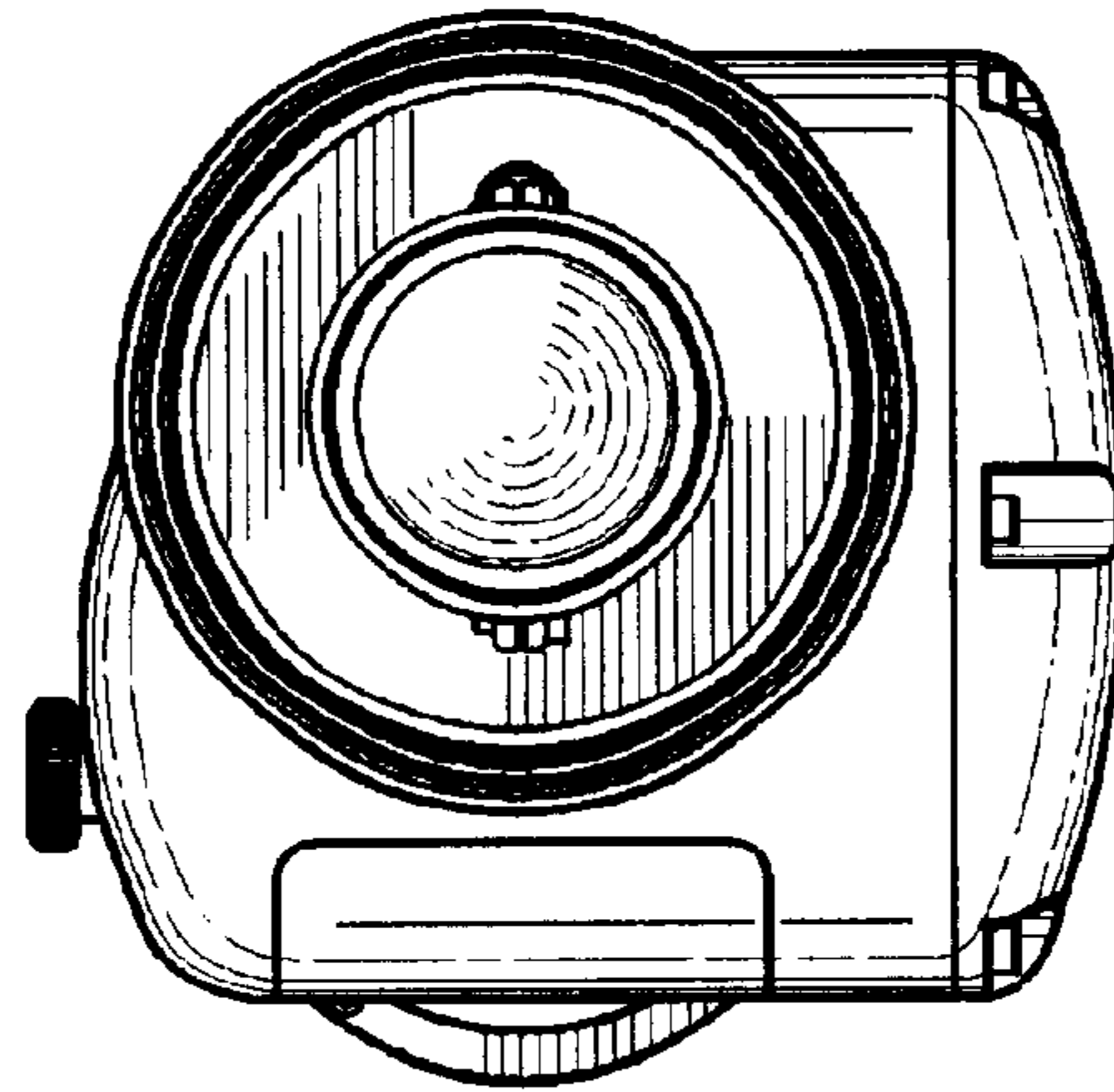


FIG. 5

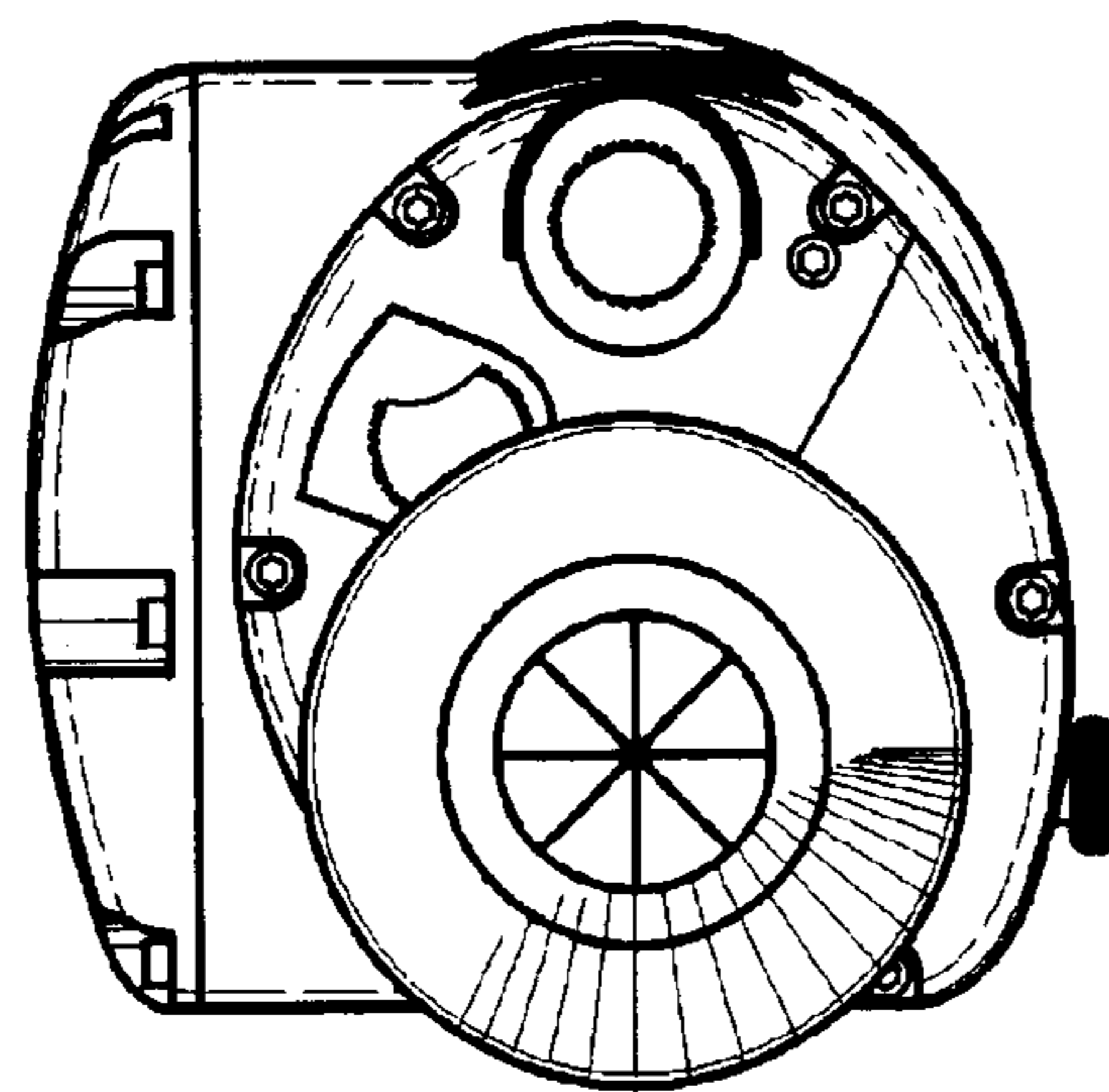


FIG. 6

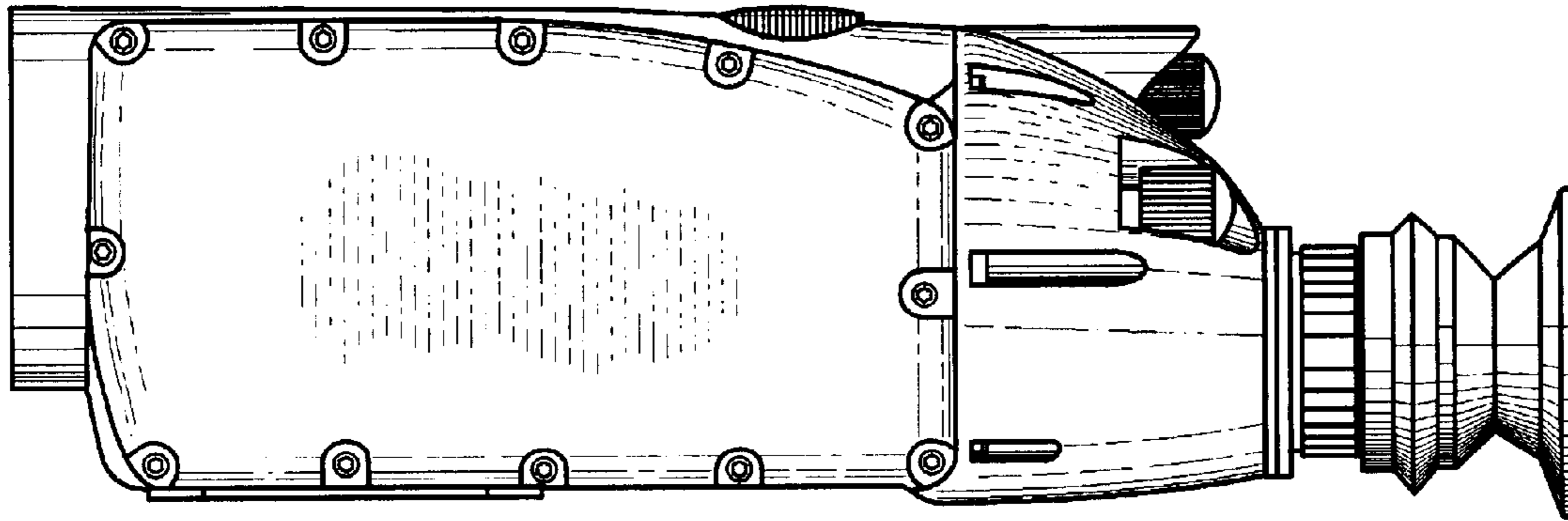


FIG. 7

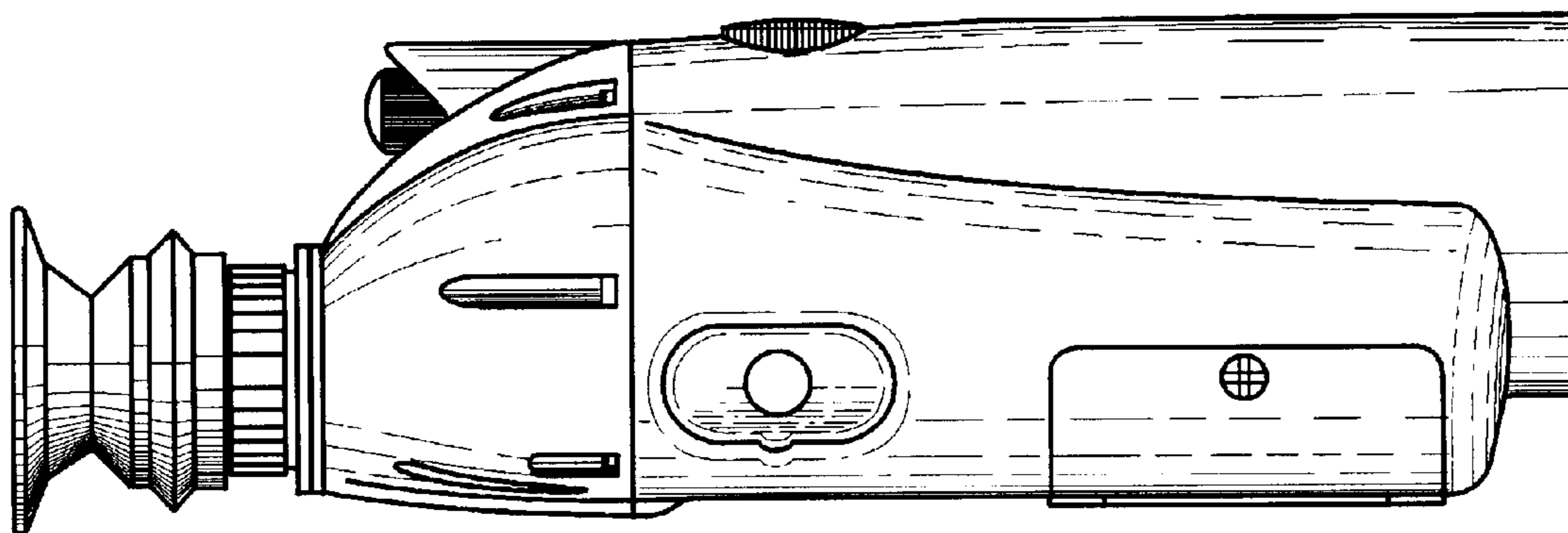


FIG. 8