



US00D517638S

(12) **United States Design Patent**
Bilgeri

(10) **Patent No.:** **US D517,638 S**
(45) **Date of Patent:** **** Mar. 21, 2006**

(54) **HANDLE PART FOR A HANDGUN**

(75) **Inventor:** **Elmar Bilgeri, Steyr (AT)**

(73) **Assignee:** **Steyr Mannlicher Holding GmbH,**
Wiener Neustadt (AT)

(**) **Term:** **14 Years**

(21) **Appl. No.:** **29/193,889**

(22) **Filed:** **Nov. 14, 2003**

(30) **Foreign Application Priority Data**

Oct. 15, 2003 (EP) 000090626

(51) **LOC (8) Cl.** **22-01**

(52) **U.S. Cl.** **D22/108; D22/104**

(58) **Field of Classification Search** **D22/100,**
D22/104, 105, 108; 42/71.014, 71.02, 74
See application file for complete search history.

(56) **References Cited**

U.S. PATENT DOCUMENTS

- 1,395,455 A * 11/1921 Searle 89/196
- D199,064 S * 9/1964 Barney D22/104
- 3,163,951 A * 1/1965 Lewis 42/65
- 3,890,729 A * 6/1975 Frisoli 42/7
- D269,896 S * 7/1983 Seecamp D22/104

- D271,229 S * 11/1983 Pachmayr et al. D22/104
- D273,316 S * 4/1984 Lambert D22/104
- D366,514 S * 1/1996 Hochstrate et al. D22/108
- D374,903 S * 10/1996 Pearce D22/108
- D375,992 S * 11/1996 Haber et al. D22/104
- D376,831 S * 12/1996 Resuggan D22/104

* cited by examiner

Primary Examiner—Louis S. Zarfes

Assistant Examiner—Melanie Levy

(74) *Attorney, Agent, or Firm*—Bachman & LaPointe, P.C.

(57) **CLAIM**

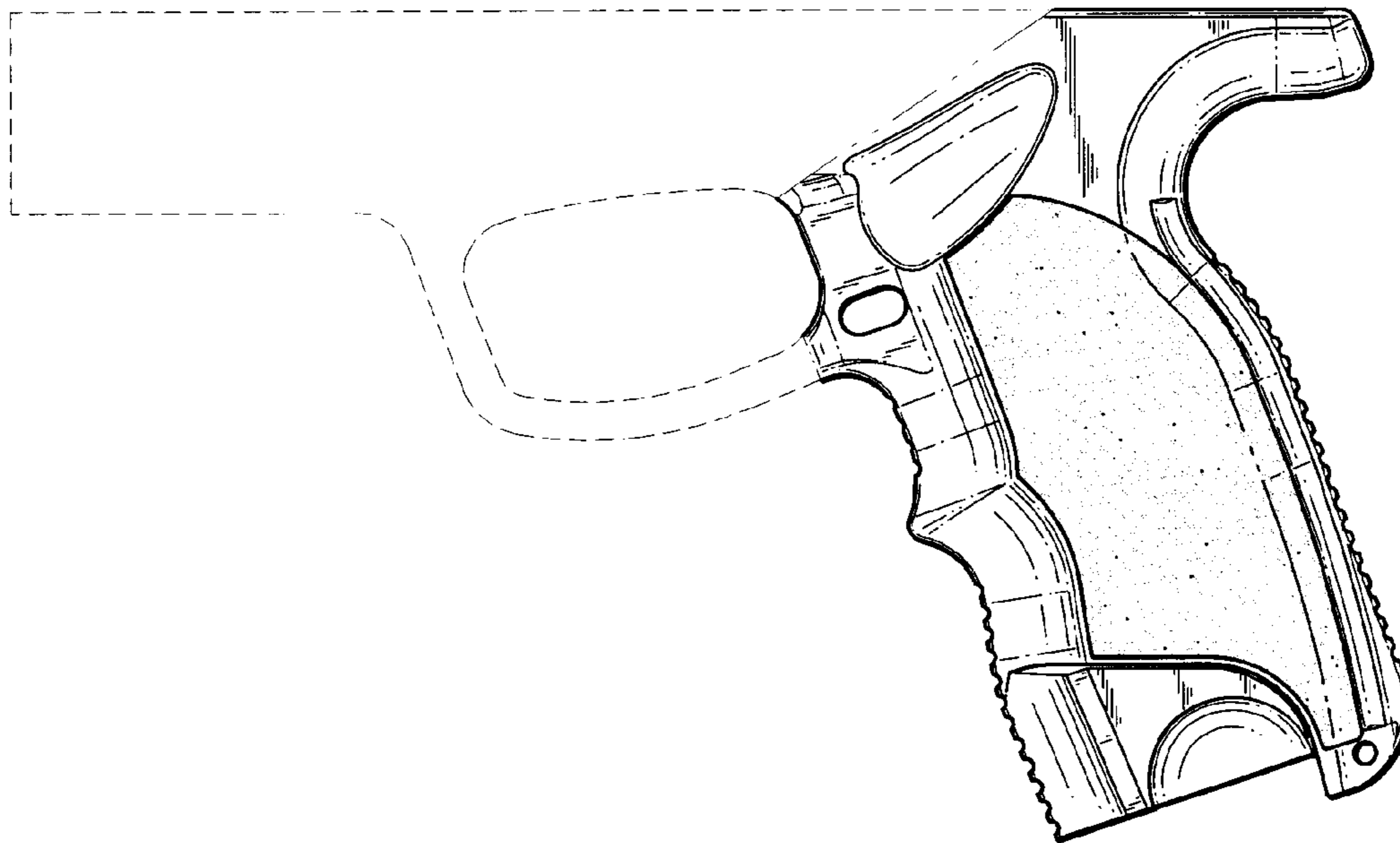
An ornamental design for a handle part for a handgun, as shown and described.

DESCRIPTION

FIG. 1 is a left side view thereof;
FIG. 2 is a right side view thereof;
FIG. 3 is a bottom view thereof;
FIG. 4 is a top view thereof;
FIG. 5 is a front view thereof;
FIG. 6 is a back view thereof; and,
FIG. 7 is a perspective view thereof.

The broken lines shown in FIGS. 1–5 and 7 are shown for illustrative purposes only and form no part of the claimed design.

1 Claim, 4 Drawing Sheets



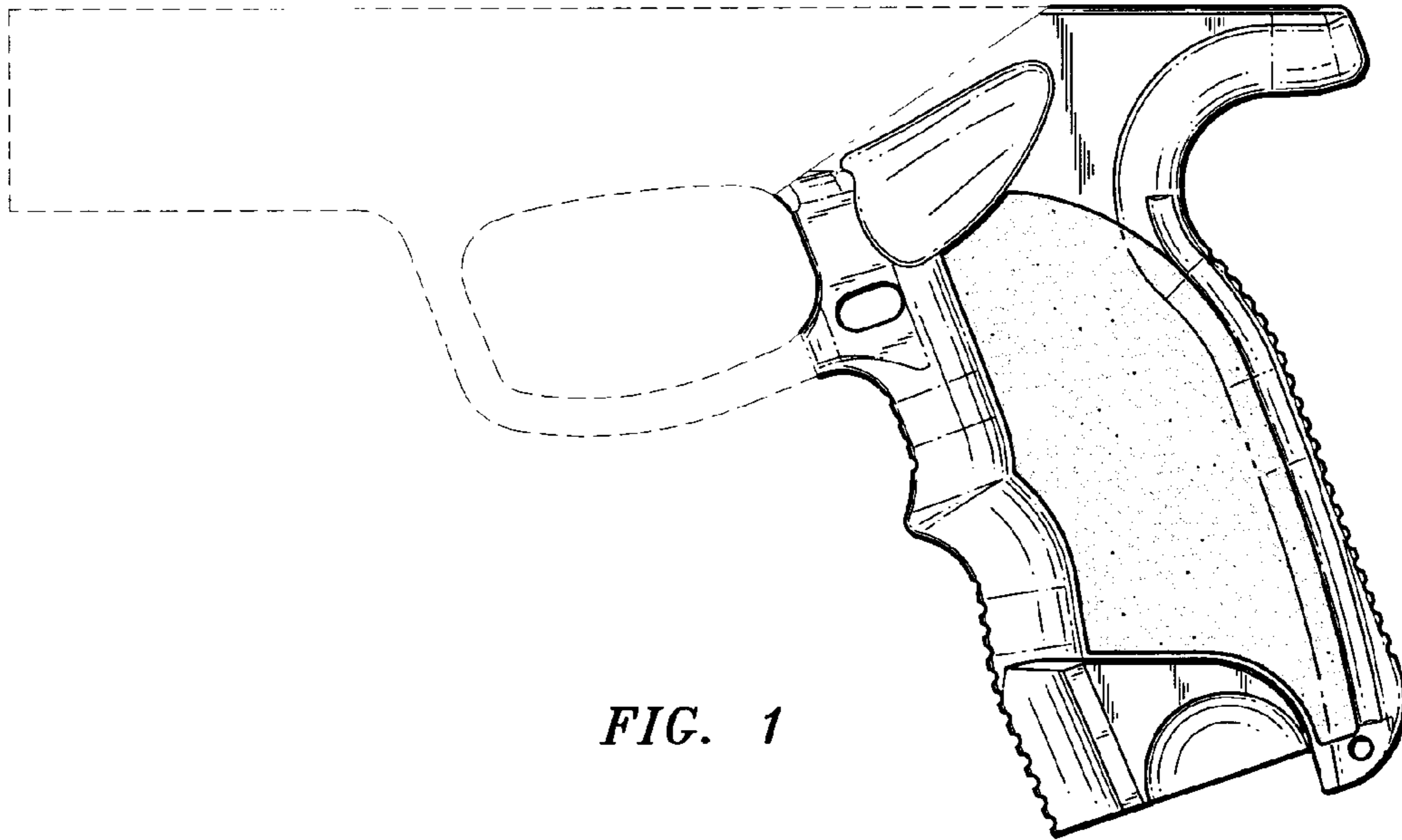


FIG. 1

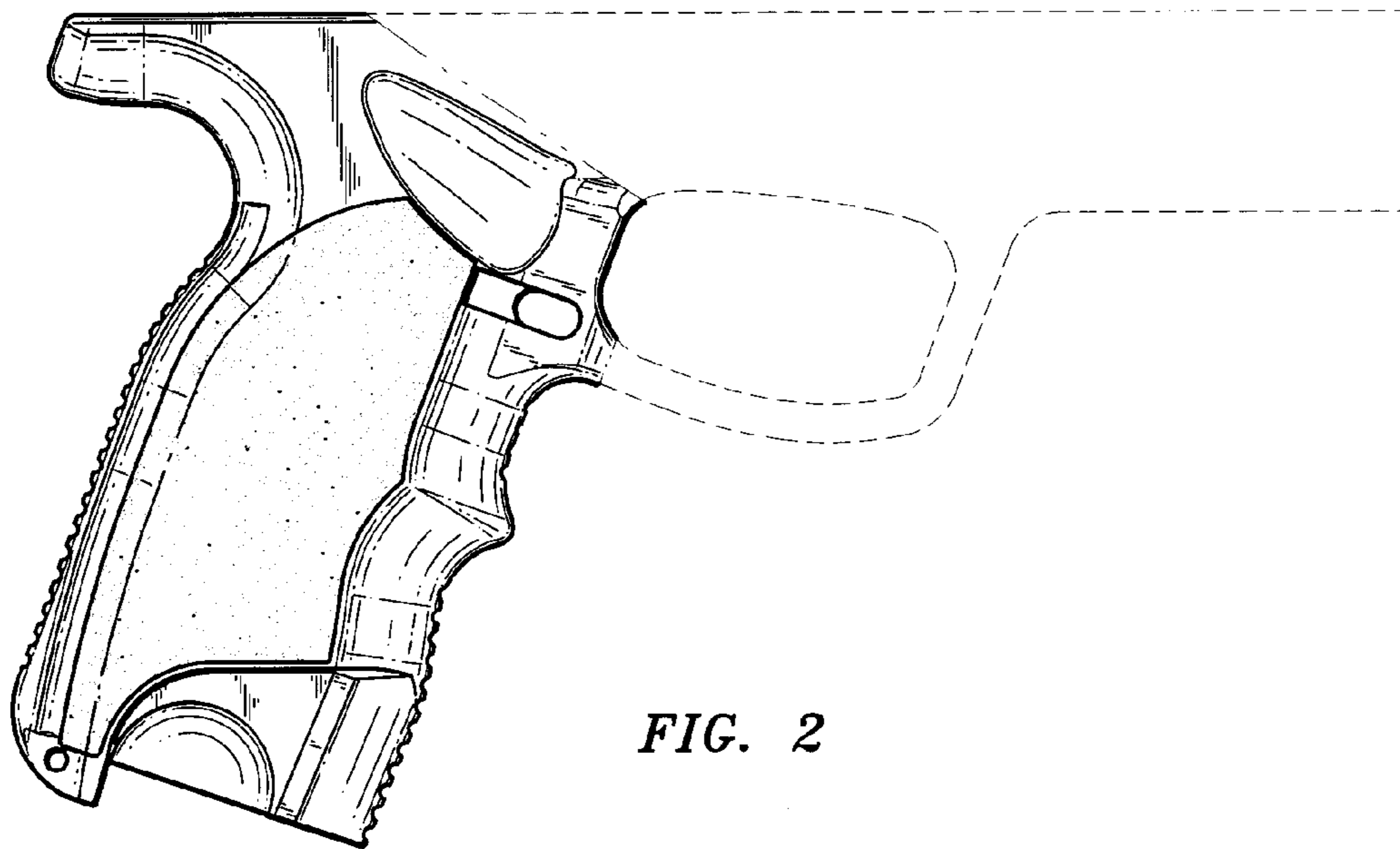


FIG. 2

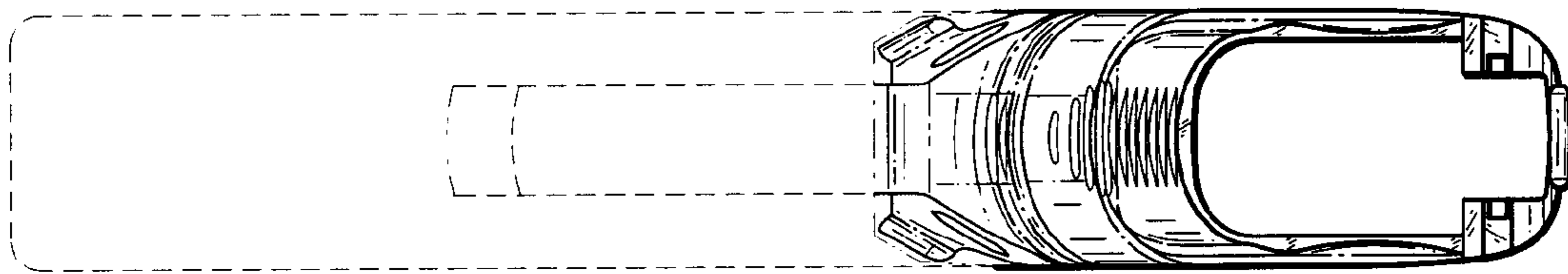


FIG. 3



FIG. 4

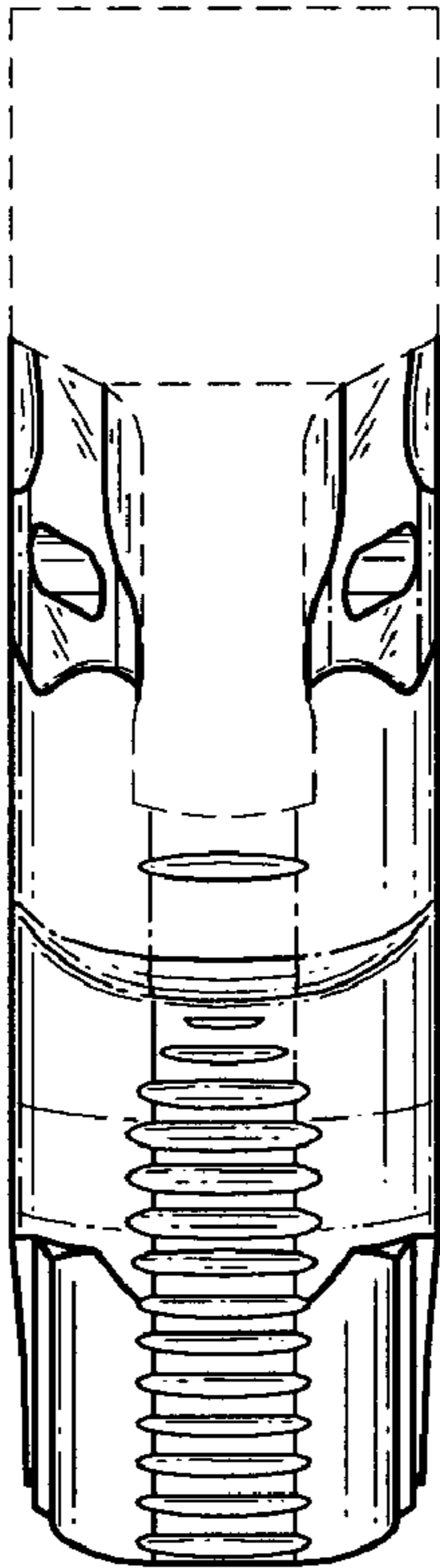


FIG. 5

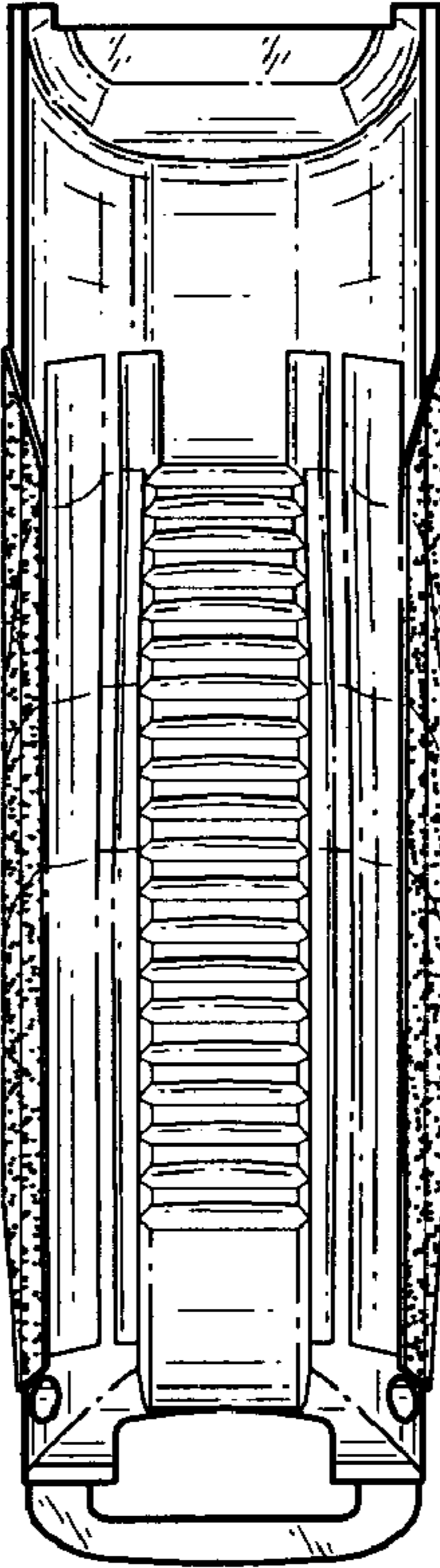


FIG. 6

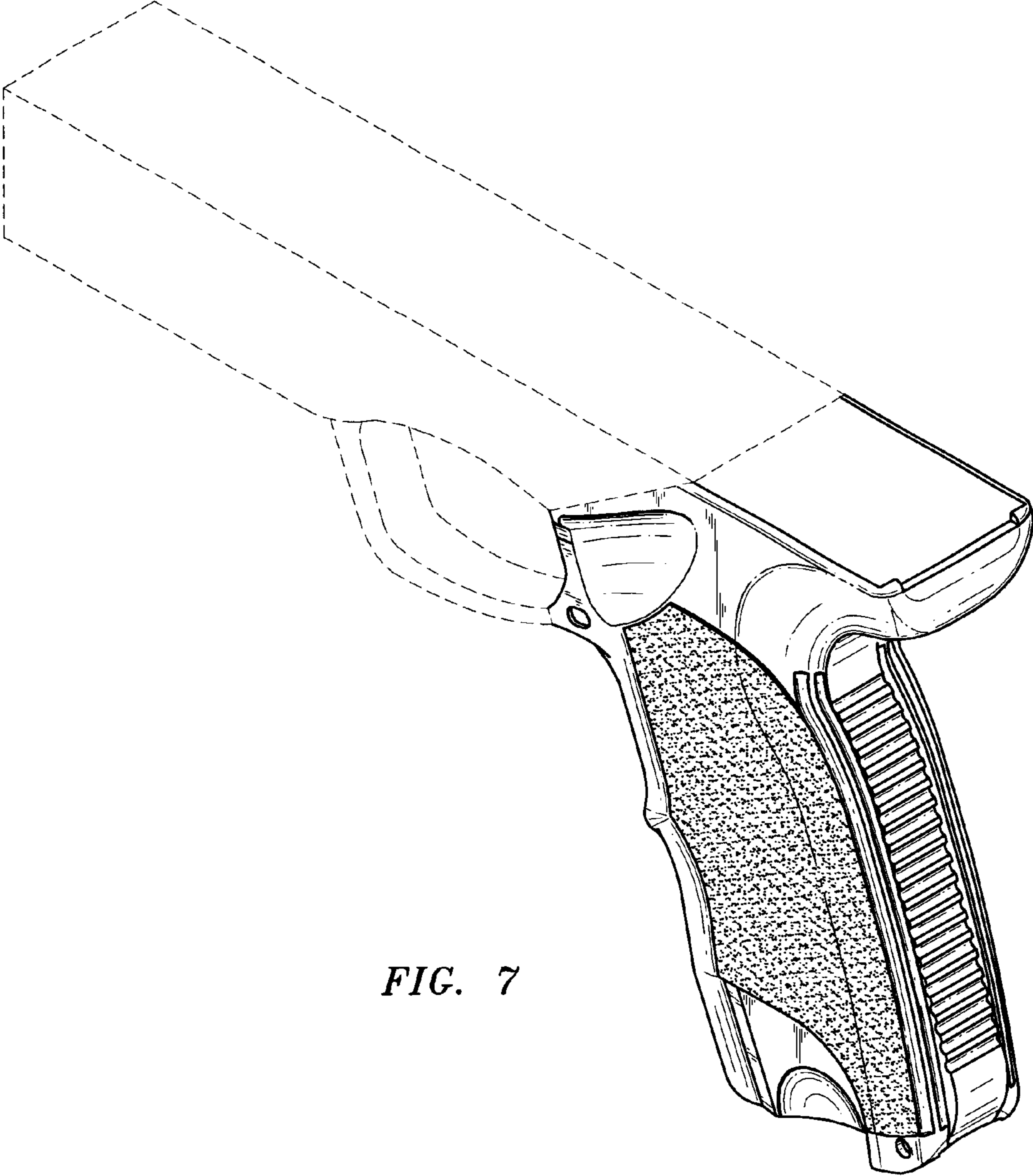


FIG. 7