



US00D517637S

(12) **United States Design Patent**
Murello et al.

(10) **Patent No.:** **US D517,637 S**
(45) **Date of Patent:** **** Mar. 21, 2006**

(54) **FIREARM WITH GRENADE LAUNCHER**

Murello et al., U.S. Appl. No. 29/206,679, filed Jun. 2, 2004, Automatic Rifle, Pending.

(75) Inventors: **Johannes Murello**, Deisslingen (DE);
Wilhelm Fischbach,
Deisslingen-Laufen (DE); **Thomas**
Schweikart, Vöhringen (DE);
Alexander Stumpp, Bitz (DE)

Primary Examiner—Cathy Anne MacCormac
Assistant Examiner—Melanie Levy
(74) *Attorney, Agent, or Firm*—Hanley, Flight &
Zimmerman, LLC

(73) Assignee: **Heckler & Koch, GmbH**,
Oberndorf/Neckar (DE)

(57) **CLAIM**

(**) Term: **14 Years**

The ornamental design for a firearm with grenade launcher, as shown and described.

(21) Appl. No.: **29/206,651**

DESCRIPTION

(22) Filed: **Jun. 2, 2004**

(51) **LOC (8) Cl.** **22-01**
(52) **U.S. Cl.** **D22/103; D22/100**
(58) **Field of Classification Search** **D22/100,**
D22/101, 103, 104, 108, 199; D21/572, 573;
42/51, 71.01, 75.01, 75.02, 90; 362/110;
33/241; 313/105 R; 89/40.06, 37.04, 33.04;
124/67, 66, 74

FIG. 1 is a left perspective view of a firearm with grenade launcher showing my new design.

FIG. 2 is a right side view of the firearm of FIG. 1;

FIG. 3 is a left side view of the firearm of FIG. 1;

FIG. 4 is a top view of the firearm of FIG. 1;

FIG. 5 is a bottom view of the firearm of FIG. 1;

FIG. 6 is a front view of the firearm of FIG. 1;

FIG. 7 is a rear view of the firearm of FIG. 1;

FIG. 8 is a left side perspective view of the firearm of FIG. 1 shown with the stock in an alternate position;

FIG. 9 is a right side view of the firearm of FIG. 8;

FIG. 10 is a left side view of the firearm of FIG. 8;

FIG. 11 is a top view of the firearm of FIG. 8;

FIG. 12 is a right side perspective view of a second embodiment of FIG. 1.

FIG. 13 is a top view of the firearm of FIG. 12;

FIG. 14 is a right side perspective view of the firearm of FIG. 1 shown with the hinged stock in a pivoted position;

FIG. 15 is a right side view of the firearm of FIG. 14;

FIG. 16 is a left side view of the firearm of FIG. 14;

FIG. 17 is a top view of the firearm of FIG. 14;

FIG. 18 is a rear view of the firearm of FIG. 14;

FIG. 19 is a left side perspective view of the firearm of FIG. 1 shown with the grenade sight in a deployed position;

FIG. 20 is a left side view of the firearm of FIG. 19;

FIG. 21 is a front view of the firearm of FIG. 19; and,

FIG. 22 is a rear view of the firearm of FIG. 17.

See application file for complete search history.

(56) **References Cited**

U.S. PATENT DOCUMENTS

897,813 A * 9/1908 Bennett 124/67
2,141,837 A * 12/1938 Farnsworth 313/105 R
3,999,461 A * 12/1976 Johnson et al. 89/40.06
4,311,082 A * 1/1982 Johnson et al. 89/33.04
4,351,224 A * 9/1982 Curtis 89/37.04
4,587,879 A * 5/1986 Savioli 89/33.04
4,625,706 A * 12/1986 Turner, Jr. 124/67

(Continued)

FOREIGN PATENT DOCUMENTS

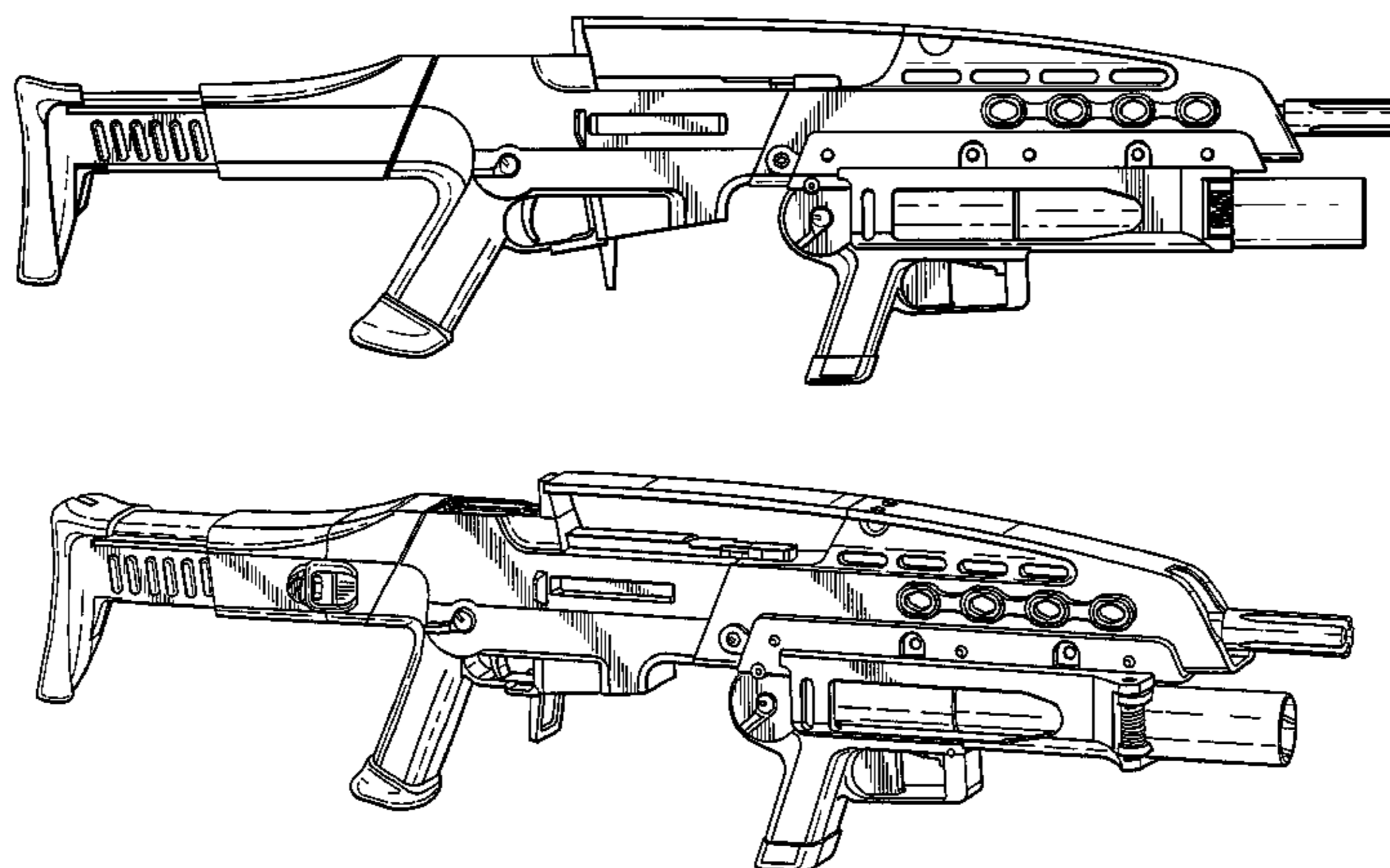
WO WO 00/75596 A1 12/2000

OTHER PUBLICATIONS

Murello et al., U.S. Appl. No. 29/206,671, filed Jun. 2, 2004, Compact Firearm, Pending.

Murello et al., U.S. Appl. No. 29/206,670, filed Jun. 2, 2004, Firearm, Pending.

1 Claim, 15 Drawing Sheets



US D517,637 S

Page 2

U.S. PATENT DOCUMENTS

4,676,137 A	6/1987	Stockton et al.			
D295,058 S	*	4/1988 Turner, Jr.	D22/103	
4,769,938 A		9/1988 Chesnut et al.			
5,198,600 A	*	3/1993 E>Nama	42/90	
5,305,539 A	*	4/1994 Von Kuster	42/75.02	
D359,529 S	*	6/1995 Nguyen	D22/103	
D369,639 S		5/1996 Predazzer			
D372,067 S		7/1996 Predazzer			
D385,008 S	*	10/1997 Lamont	D22/100	
5,930,935 A		8/1999 Griffin			
D429,308 S	*	8/2000 Guhring	D22/103	
6,250,294 B1	*	6/2001 Lim	124/66	
6,609,321 B1	*	8/2003 Faifer	42/71.01	
6,651,371 B1	*	11/2003 Fitzpatrick et al.	42/71.01	
6,752,137 B1	*	6/2004 Brunette et al.	124/74	
2001/0042334 A1		11/2001 Weichert et al.			

* cited by examiner

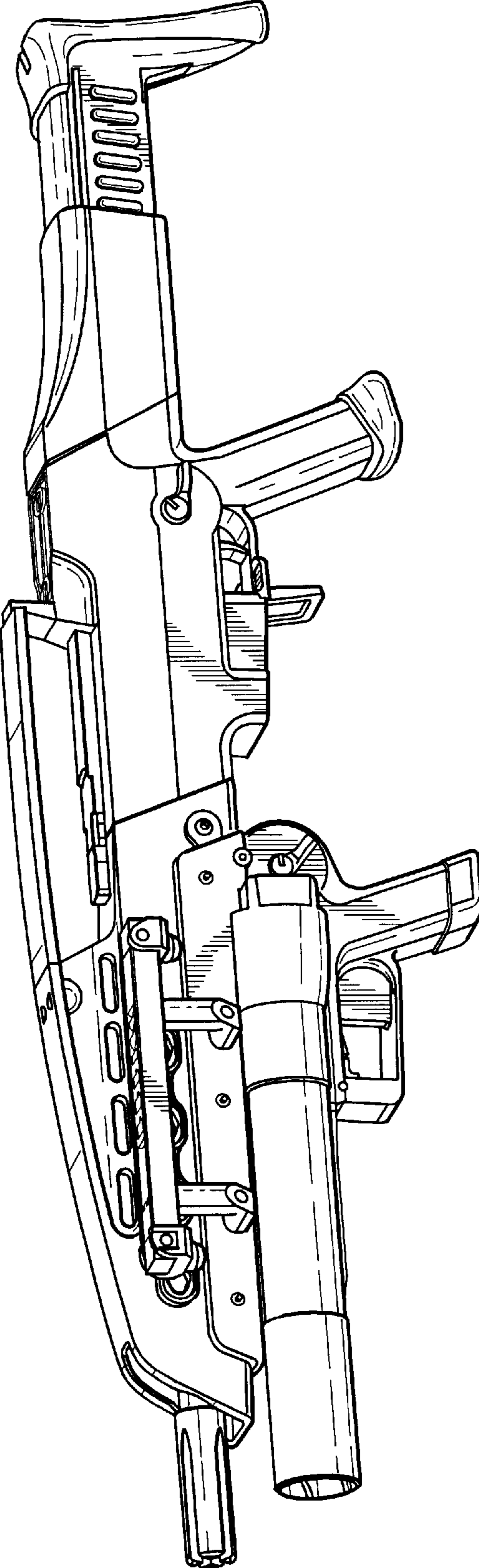


Fig. 1

Fig. 2

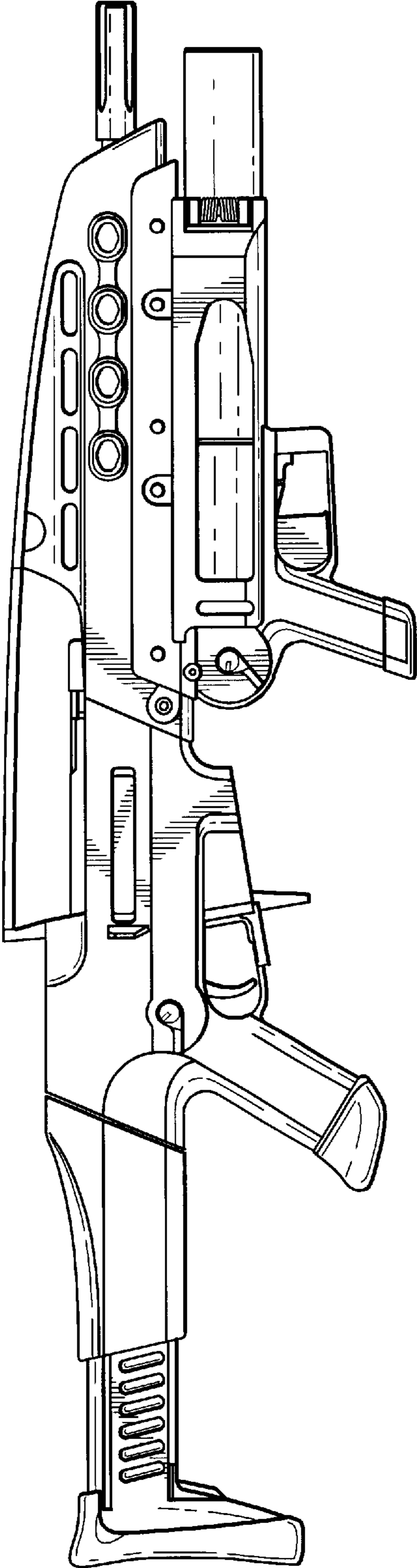


Fig. 3

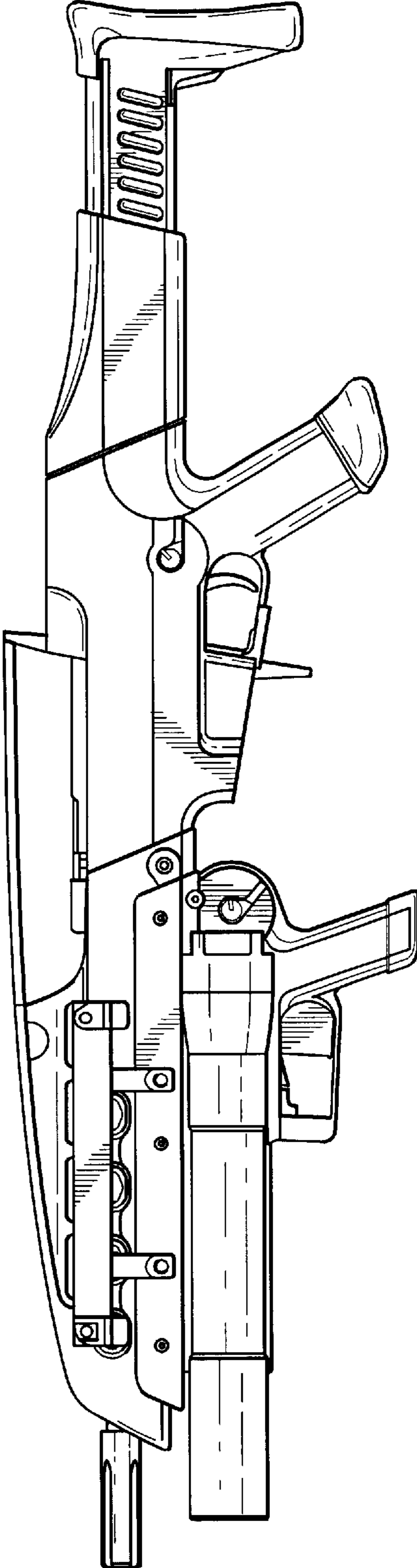


Fig. 4

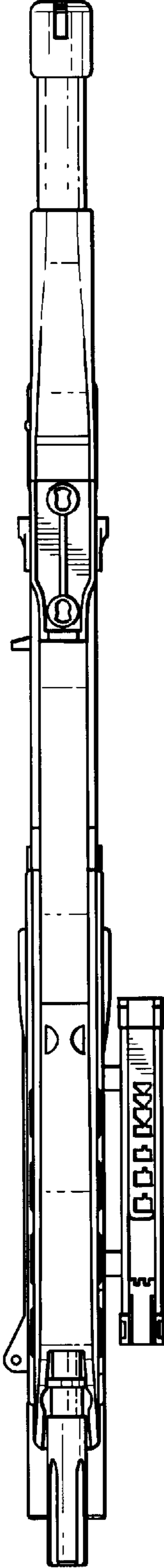


Fig. 5

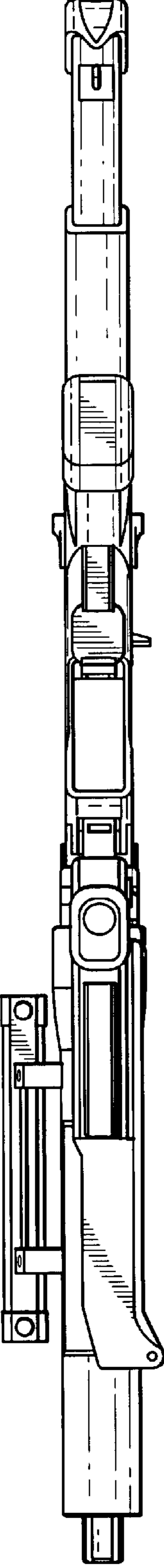


Fig. 6

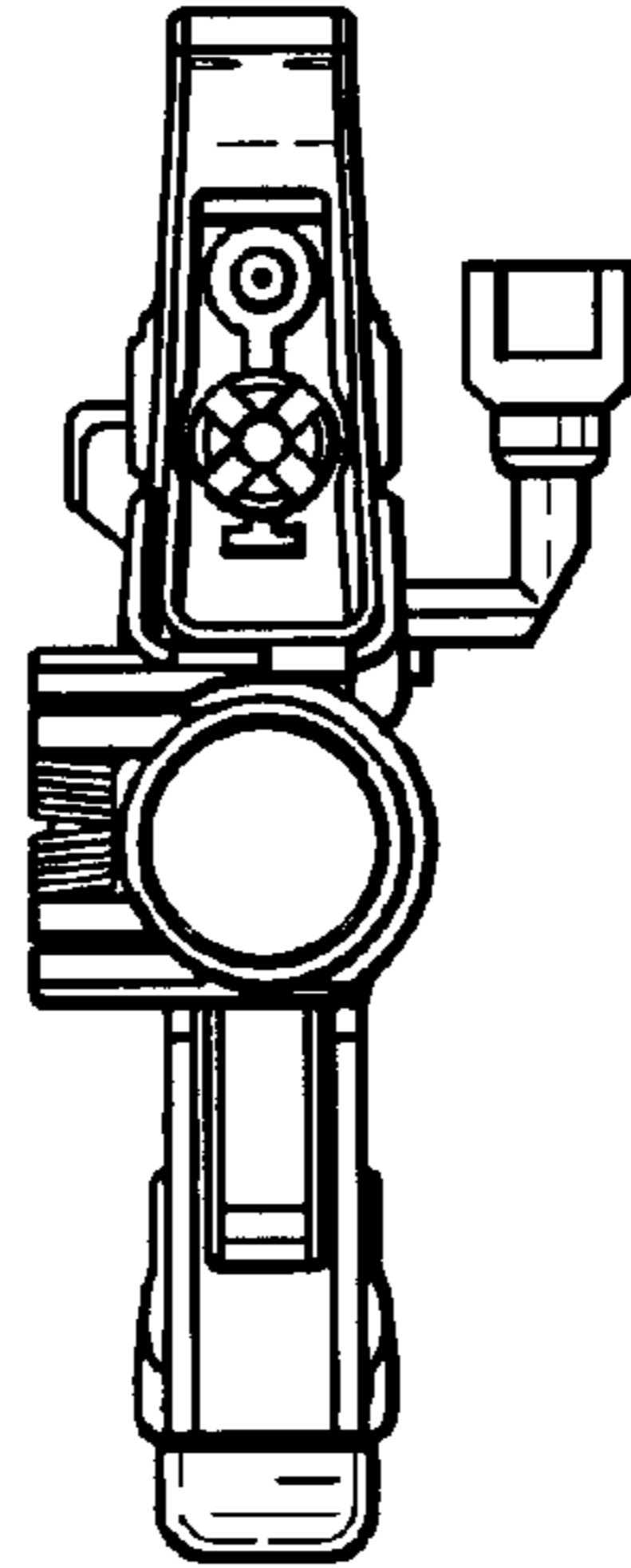
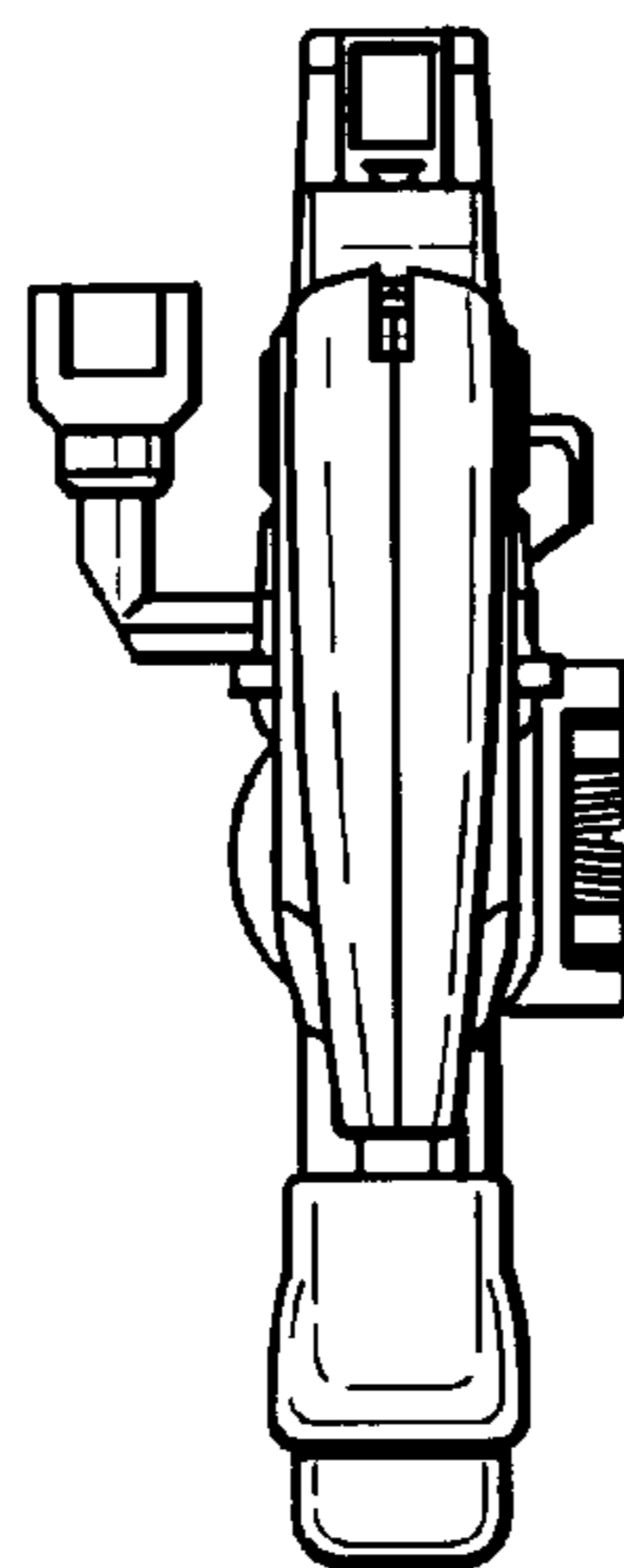


Fig. 7



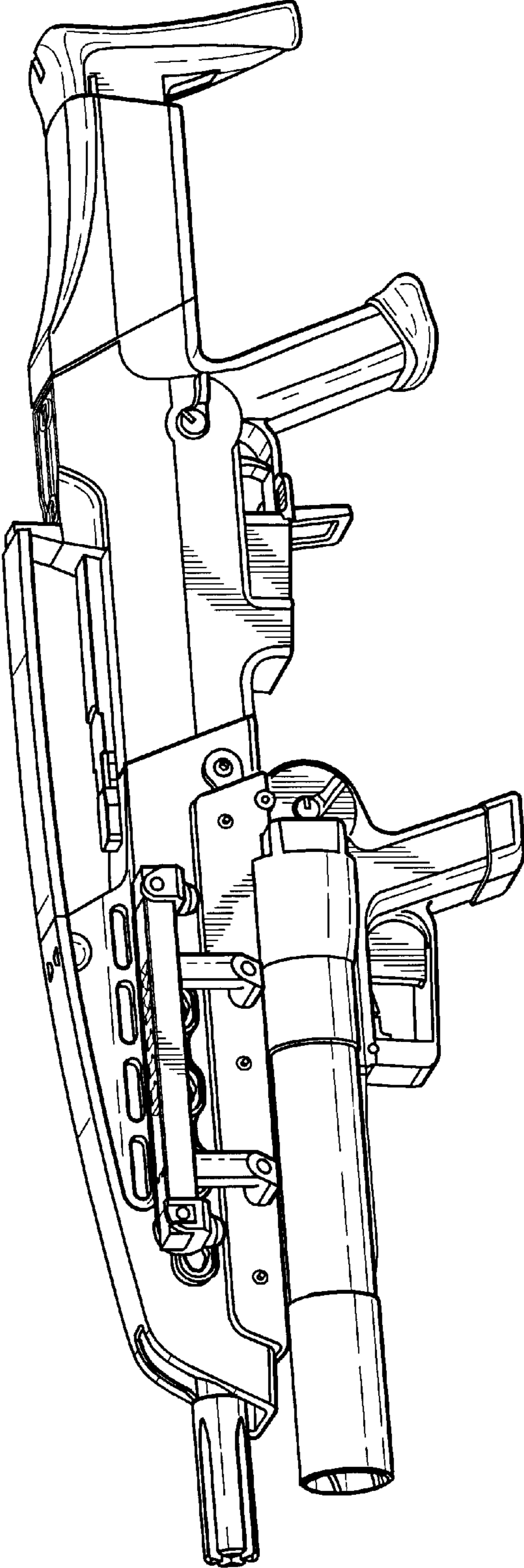


Fig. 8

Fig. 9

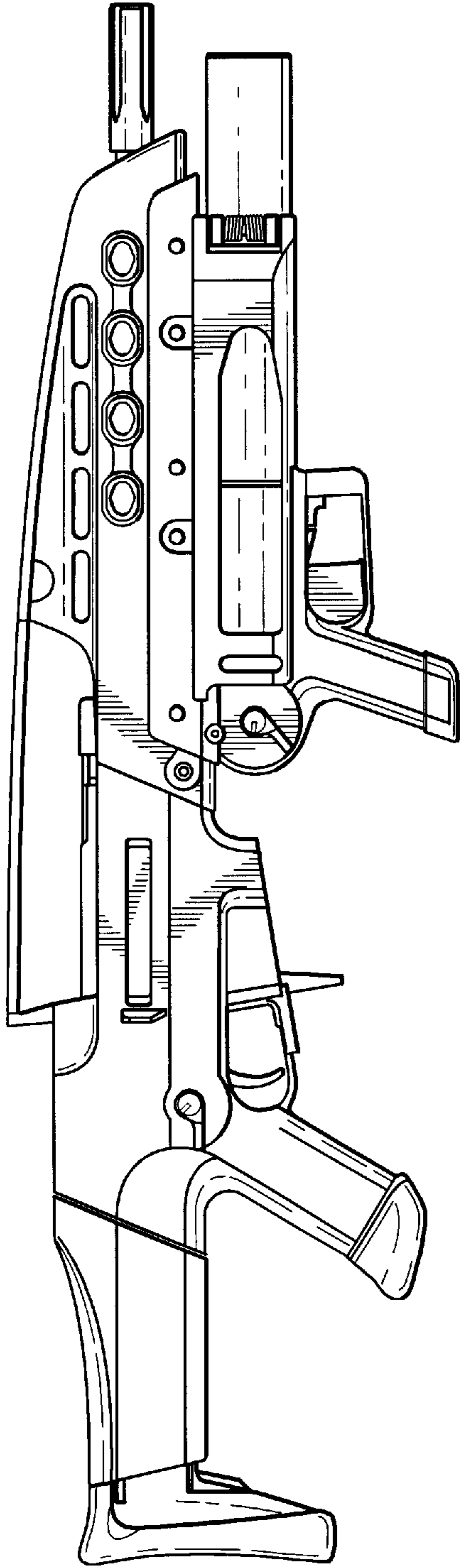
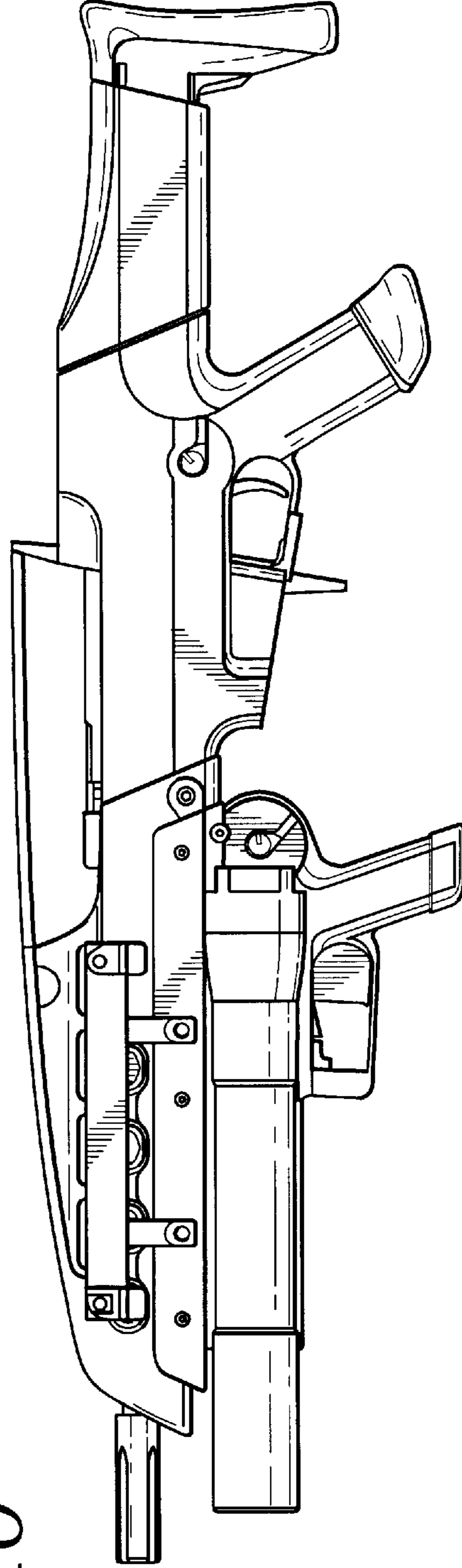


Fig. 10



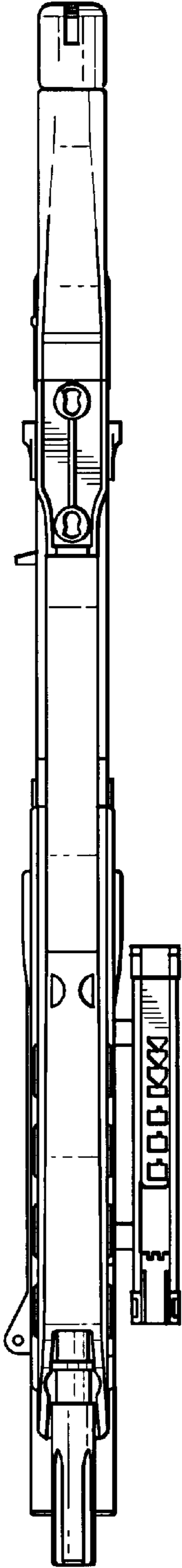
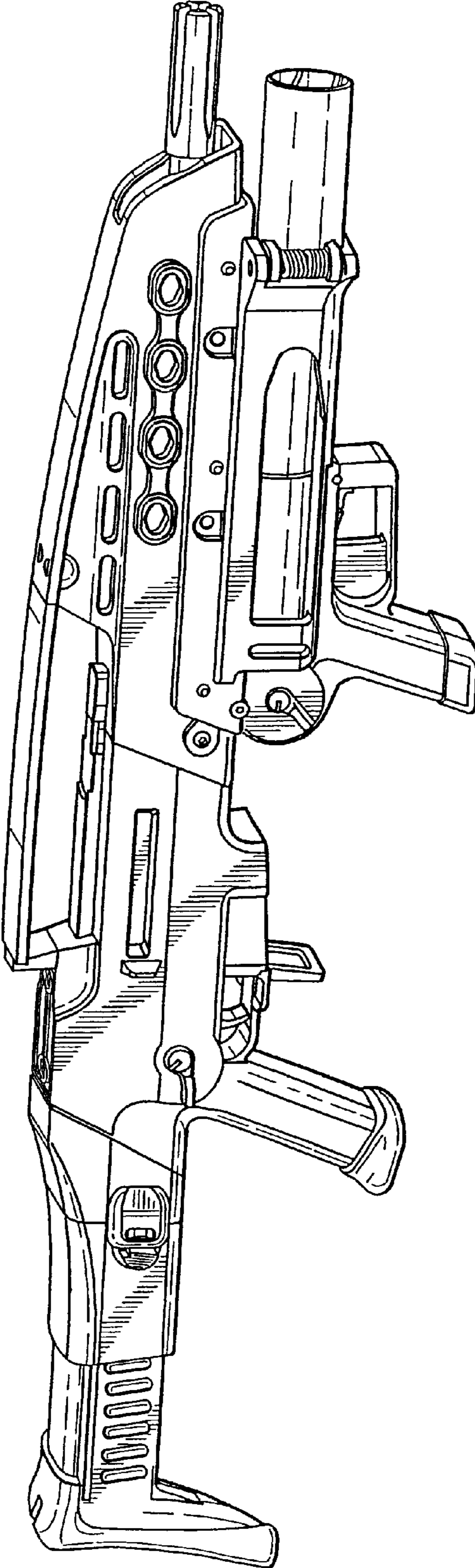


Fig. 11

Fig. 12



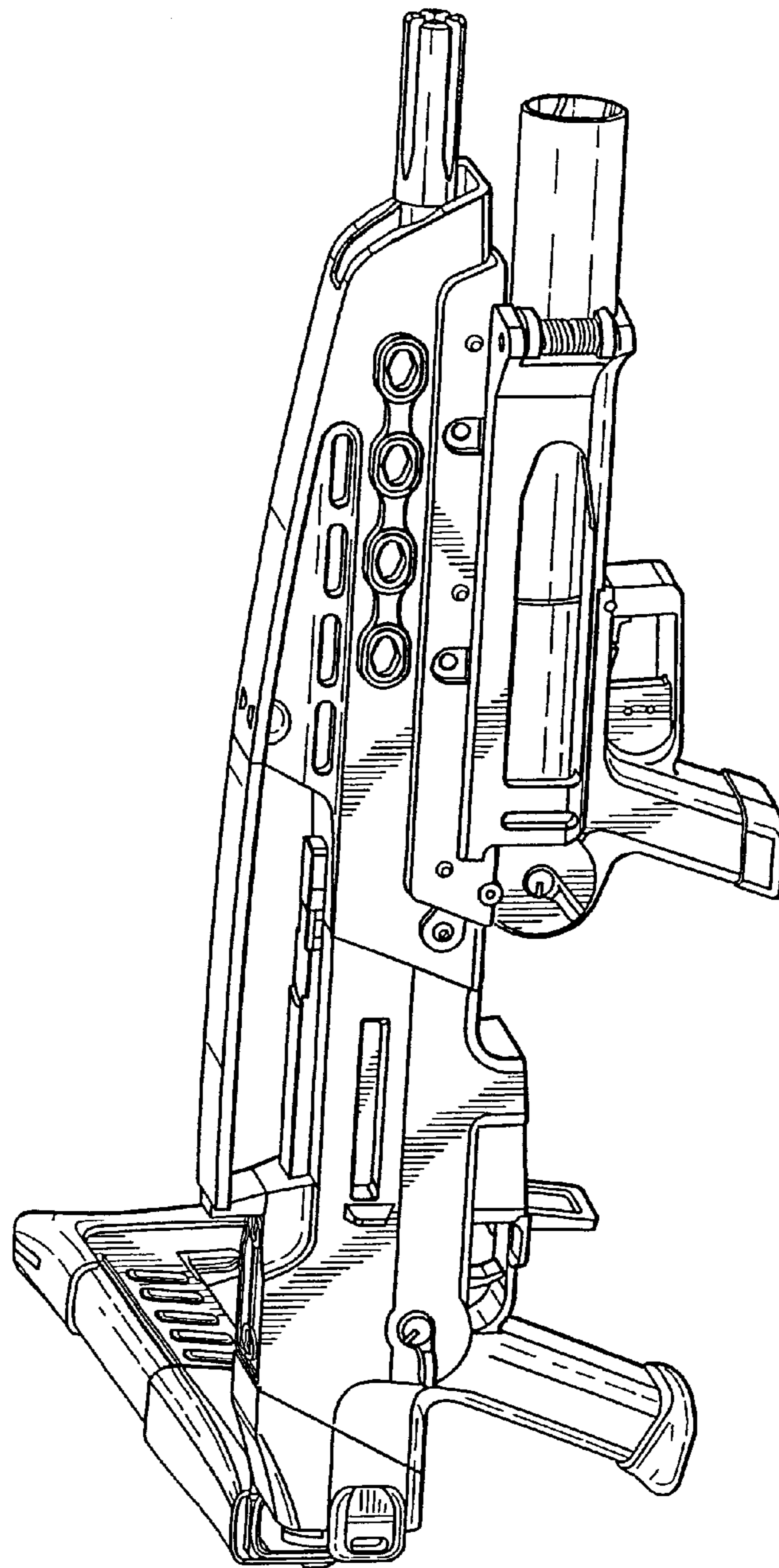


Fig. 13

Fig. 14

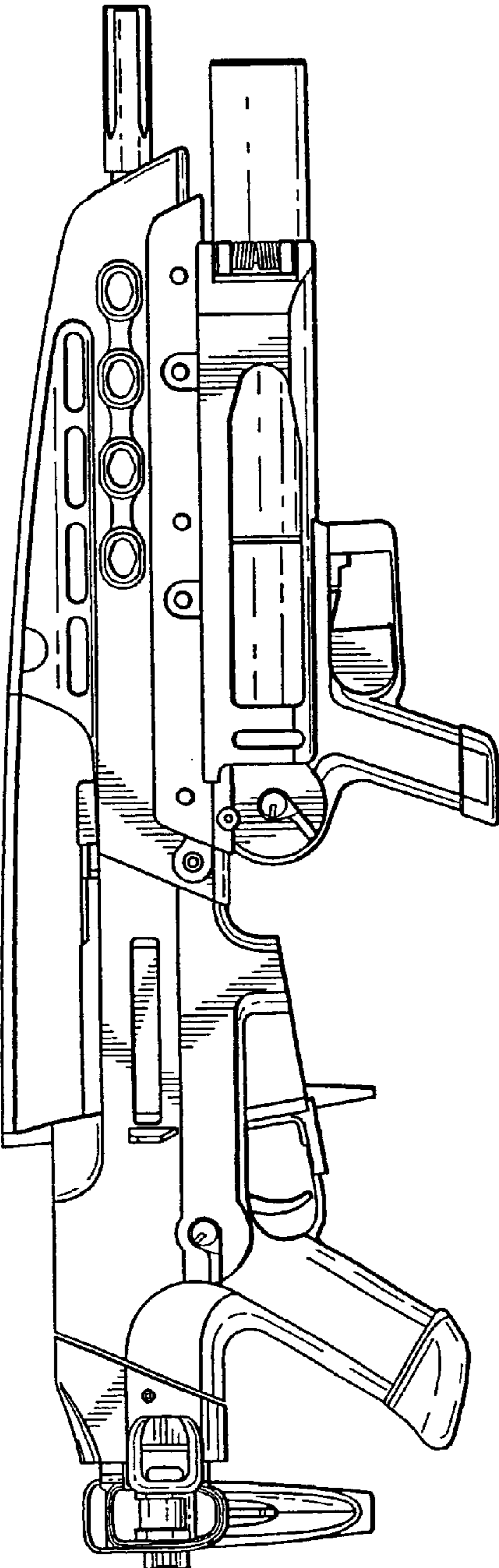
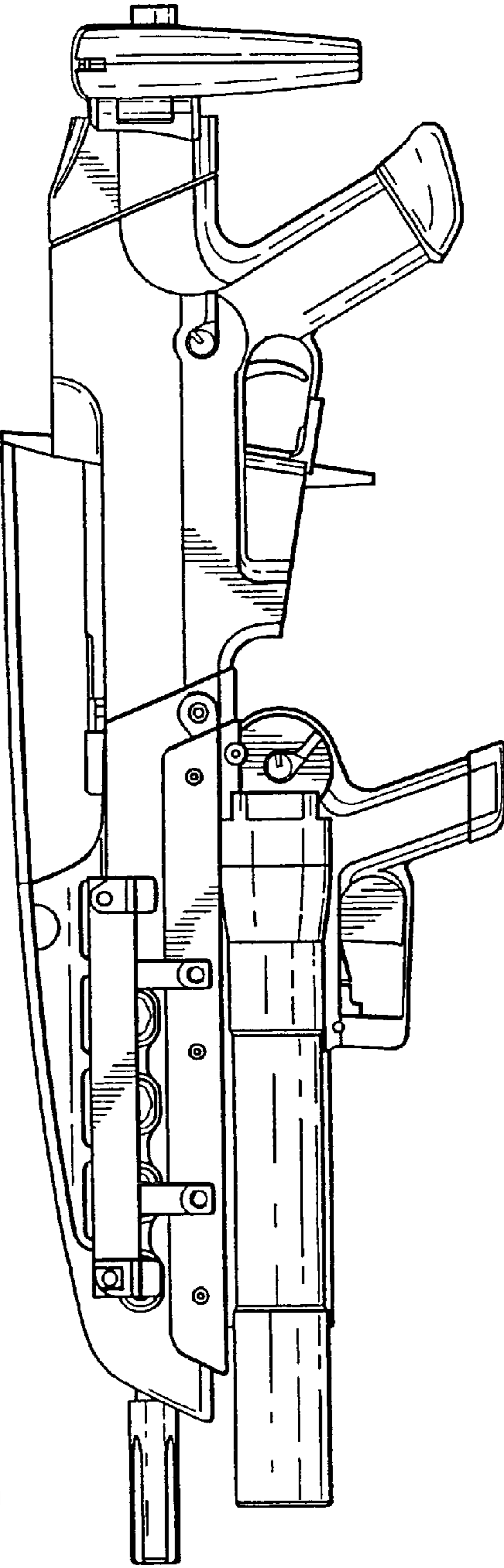


Fig. 15



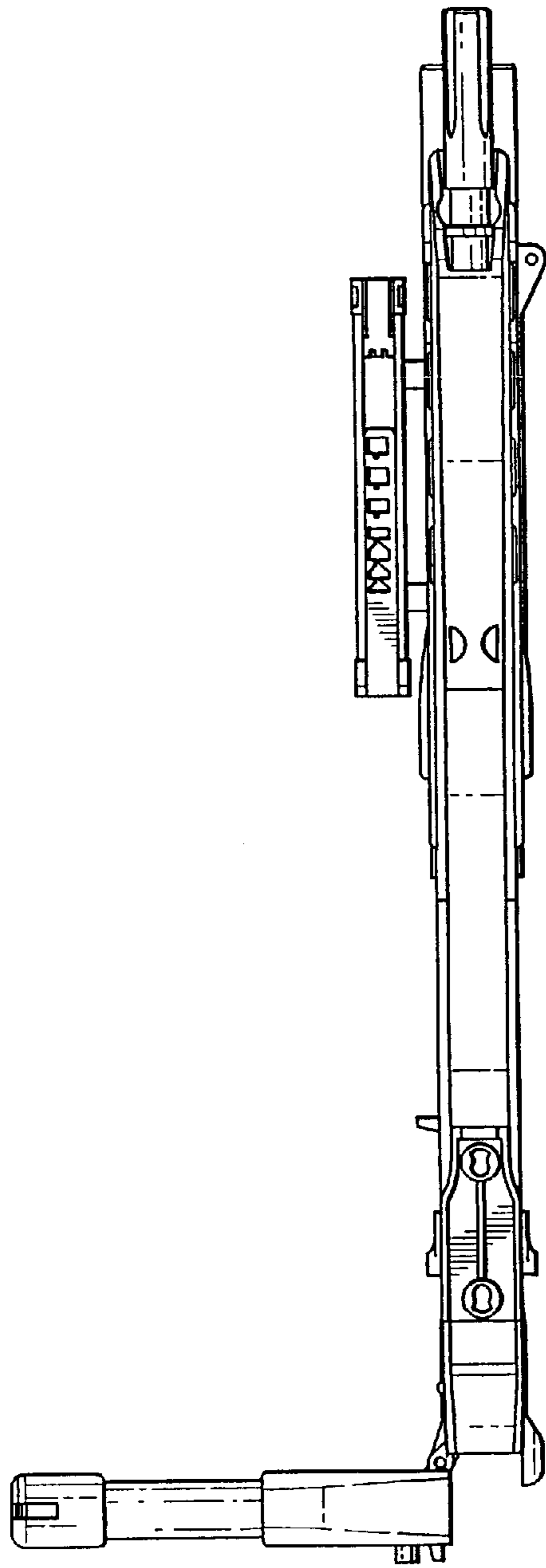


Fig. 16

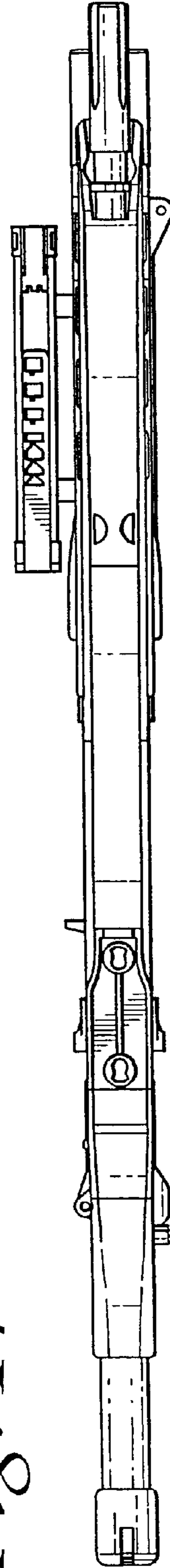
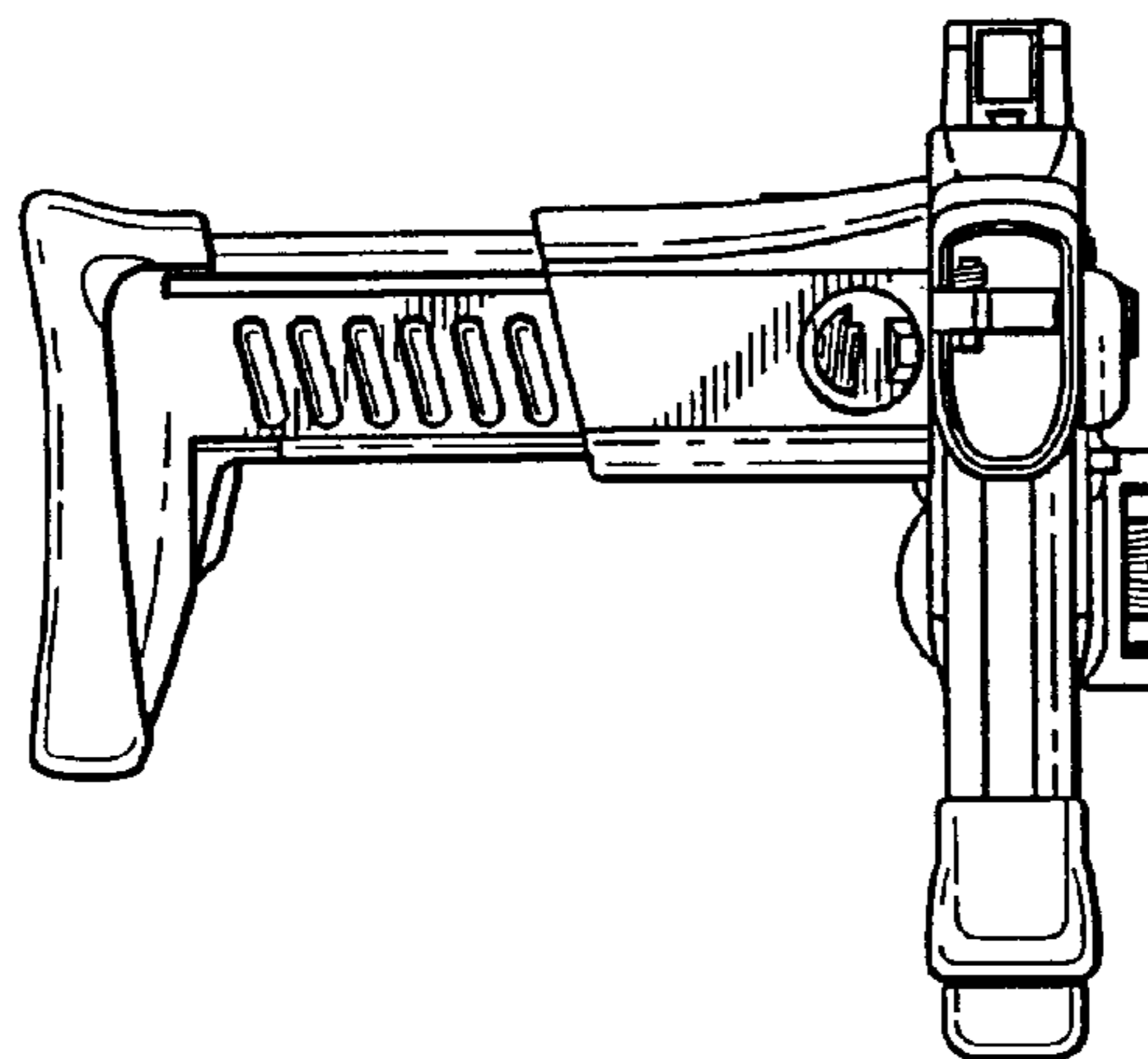


Fig. 17

Fig. 18



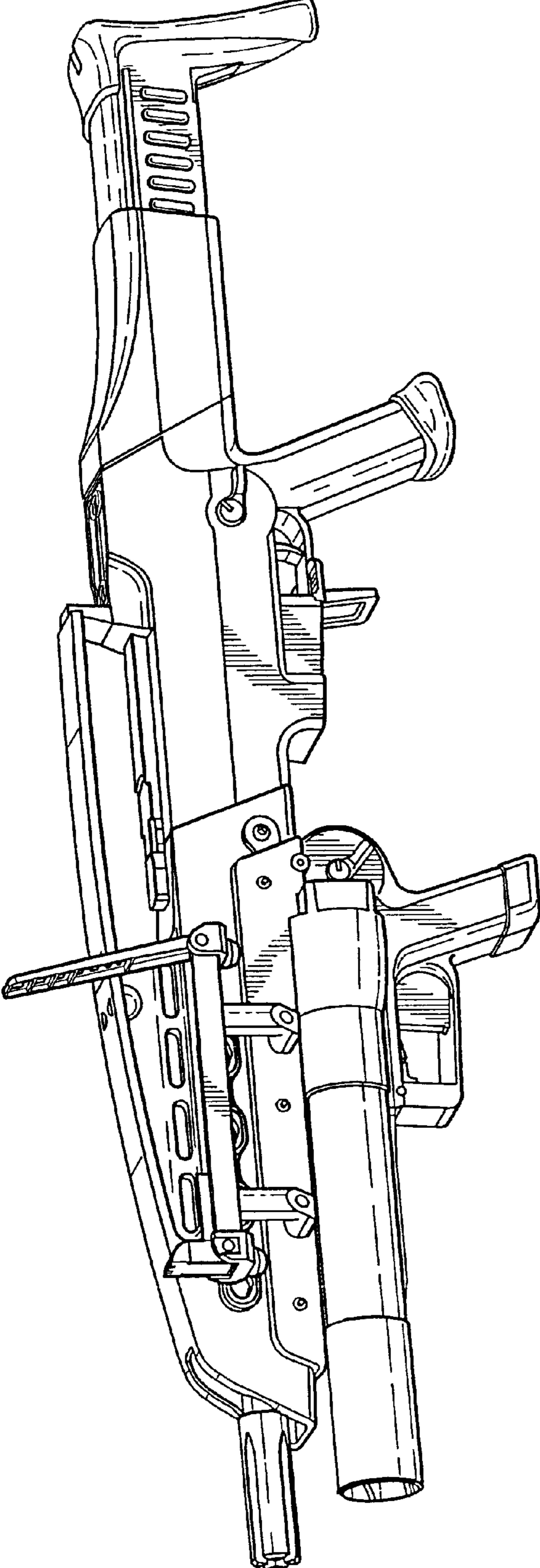


Fig. 19

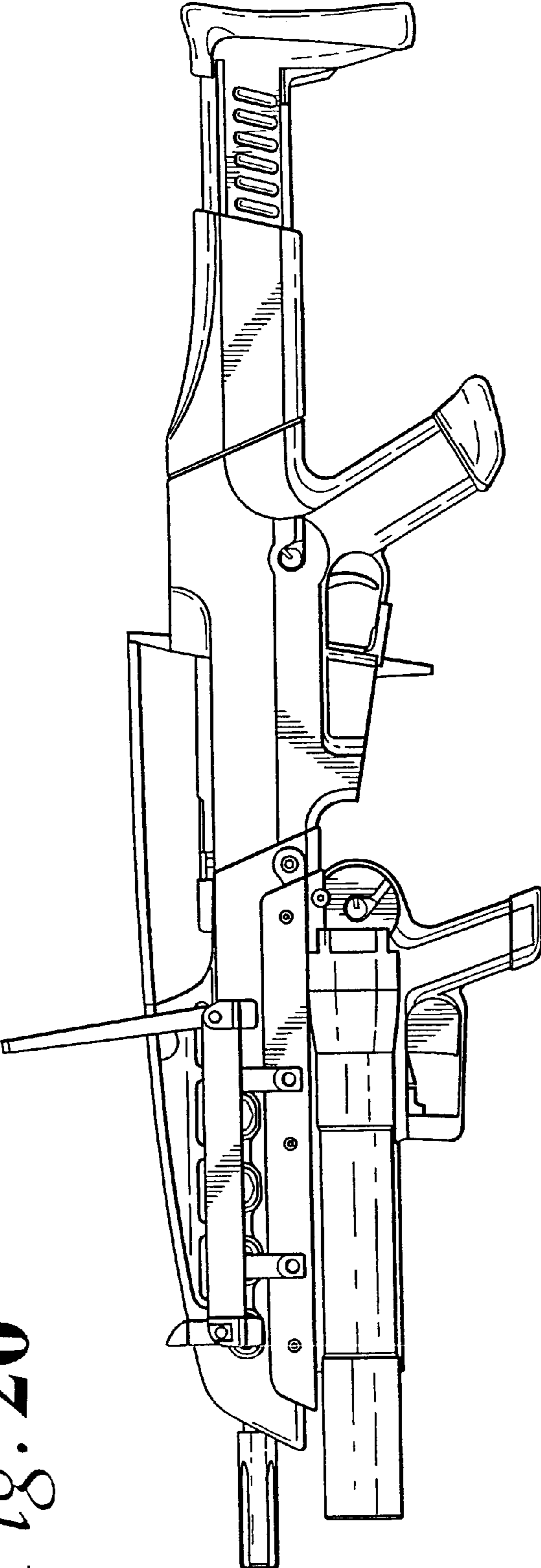


Fig. 20

Fig. 21

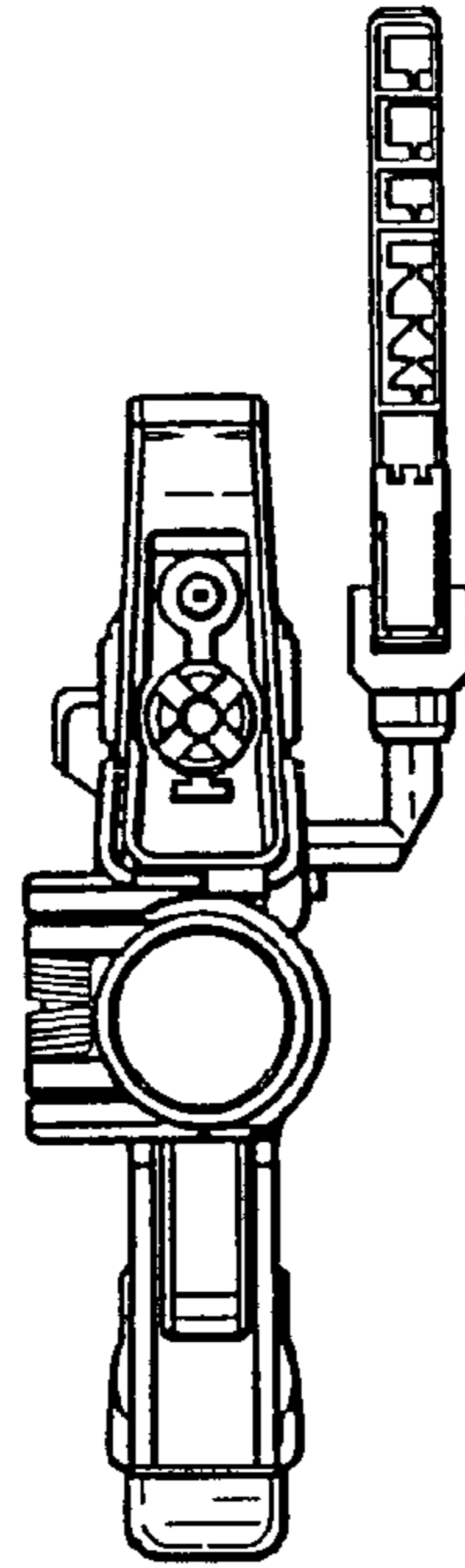


Fig. 22

