



US00D517633S

(12) **United States Design Patent**
Chen

(10) **Patent No.:** **US D517,633 S**

(45) **Date of Patent:** **** Mar. 21, 2006**

(54) **WHEEL**

(75) **Inventor:** **Ting-Hsing Chen, Tainan Hsien (TW)**

(73) **Assignee:** **Far Great Plastics Industrial Co., Ltd., Tainan Hsien (TW)**

(**) **Term:** **14 Years**

(21) **Appl. No.:** **29/225,047**

(22) **Filed:** **Mar. 11, 2005**

(51) **LOC (8) Cl.** **21-01**

(52) **U.S. Cl.** **D21/779; D21/563**

(58) **Field of Classification Search** D21/423,
D21/563, 779; 180/194; 280/836, 11.19,
280/11.221, 11.222, 11.226, 11.227, 11.24,
280/11.25, 29, 205; 301/5.1, 5.301, 95.101;
446/78, 95; D12/88, 500, 501, 604, 209;
D8/8, 300, 307, 310, 358; D3/18, 24, 25;
D22/137; D11/9, 11, 17; 63/37-39

See application file for complete search history.

(56) **References Cited**

U.S. PATENT DOCUMENTS

698,110	A	*	4/1902	Foy	301/5.301
817,739	A	*	4/1906	Loepp	301/5.1
1,989,189	A	*	1/1935	Frank	301/5.1
2,012,449	A	*	8/1935	Hamilton	301/5.1
2,448,222	A	*	8/1948	Jones	301/5.1
D179,220	S	*	11/1956	Russell	D8/310
3,355,185	A	*	11/1967	Carter	280/11.226
D282,838	S	*	3/1986	McCarthy	D13/179
D299,773	S	*	2/1989	Kracke	D34/7
4,844,492	A	*	7/1989	Ludwig	280/11.227
D361,492	S	*	8/1995	Chieda	D8/310

D390,624	S	*	2/1998	Yamaguchi	D22/137
D396,179	S	*	7/1998	Burns et al.	D8/310
D401,834	S	*	12/1998	Burns et al.	D8/310
D409,712	S	*	5/1999	Kobayashi	D22/137
D410,991	S	*	6/1999	Miyazaki	D22/137
D414,220	S	*	9/1999	Catto	D21/423
D425,963	S	*	5/2000	Kobayashi	D22/137
D429,455	S	*	8/2000	Burns et al.	D8/310
D443,000	S	*	5/2001	Chen	D21/423
D453,466	S	*	2/2002	Dewald et al.	D8/310
D465,975	S	*	11/2002	Iacona	D8/8
D468,190	S	*	1/2003	Kennedy et al.	D8/358
D472,603	S	*	4/2003	Shepler et al.	D22/137
D493,128	S	*	7/2004	Waters et al.	D12/174
2002/0020975	A1	*	2/2002	Dahan	280/11.221

* cited by examiner

Primary Examiner—Antoine Duval Davis

Assistant Examiner—Cynthia M. Chin

(74) *Attorney, Agent, or Firm*—Rosenberg, Klein & Lee

(57) **CLAIM**

I claim, the ornamental design for a wheel, as shown and described.

DESCRIPTION

FIG. 1 is a perspective view of a wheel showing my present design;

FIG. 2 is a front view thereof;

FIG. 3 is a rear view thereof;

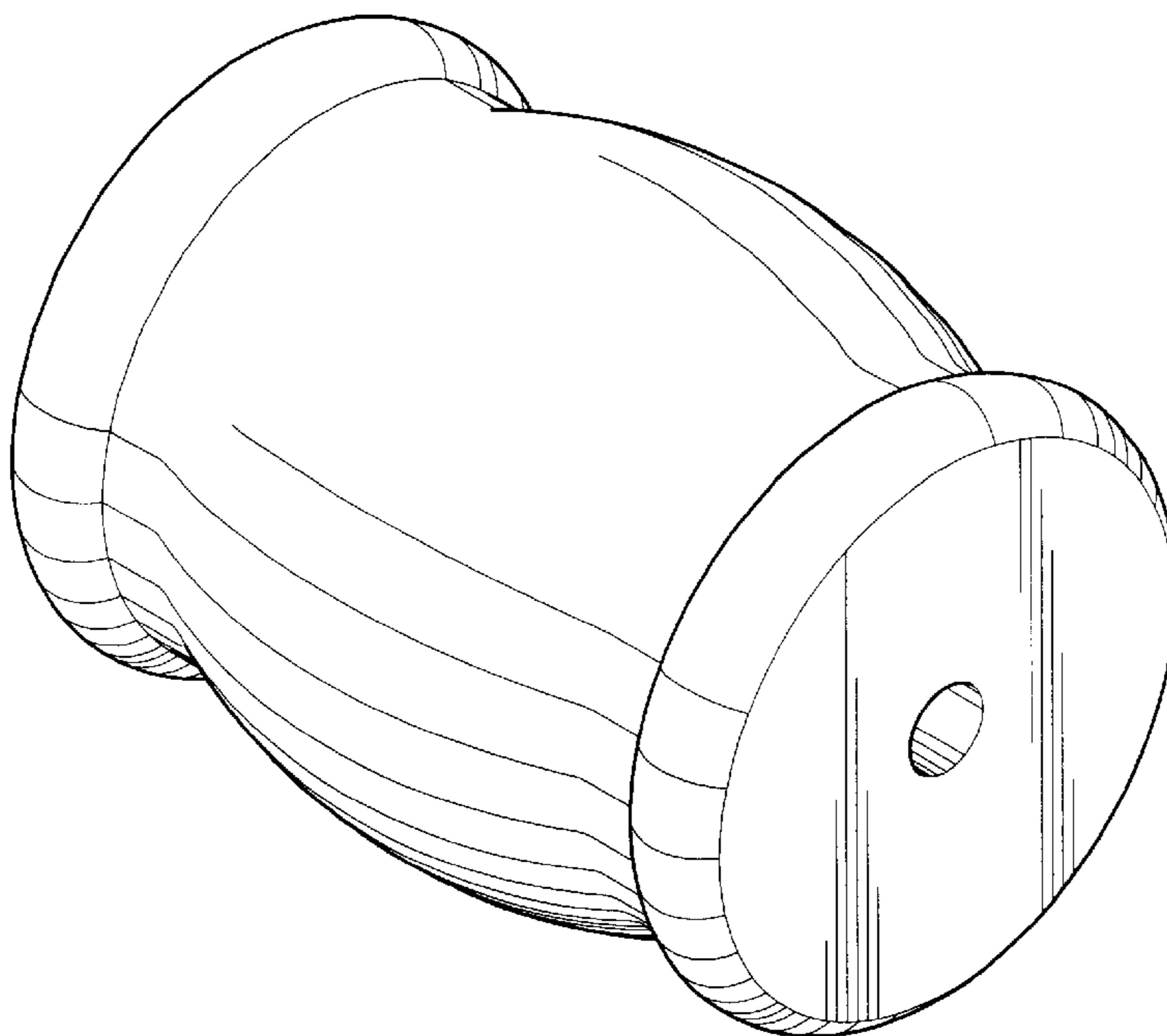
FIG. 4 is a left view thereof;

FIG. 5 is a right view thereof;

FIG. 6 is a top plan view thereof; and,

FIG. 7 is a bottom plan view.

1 Claim, 4 Drawing Sheets



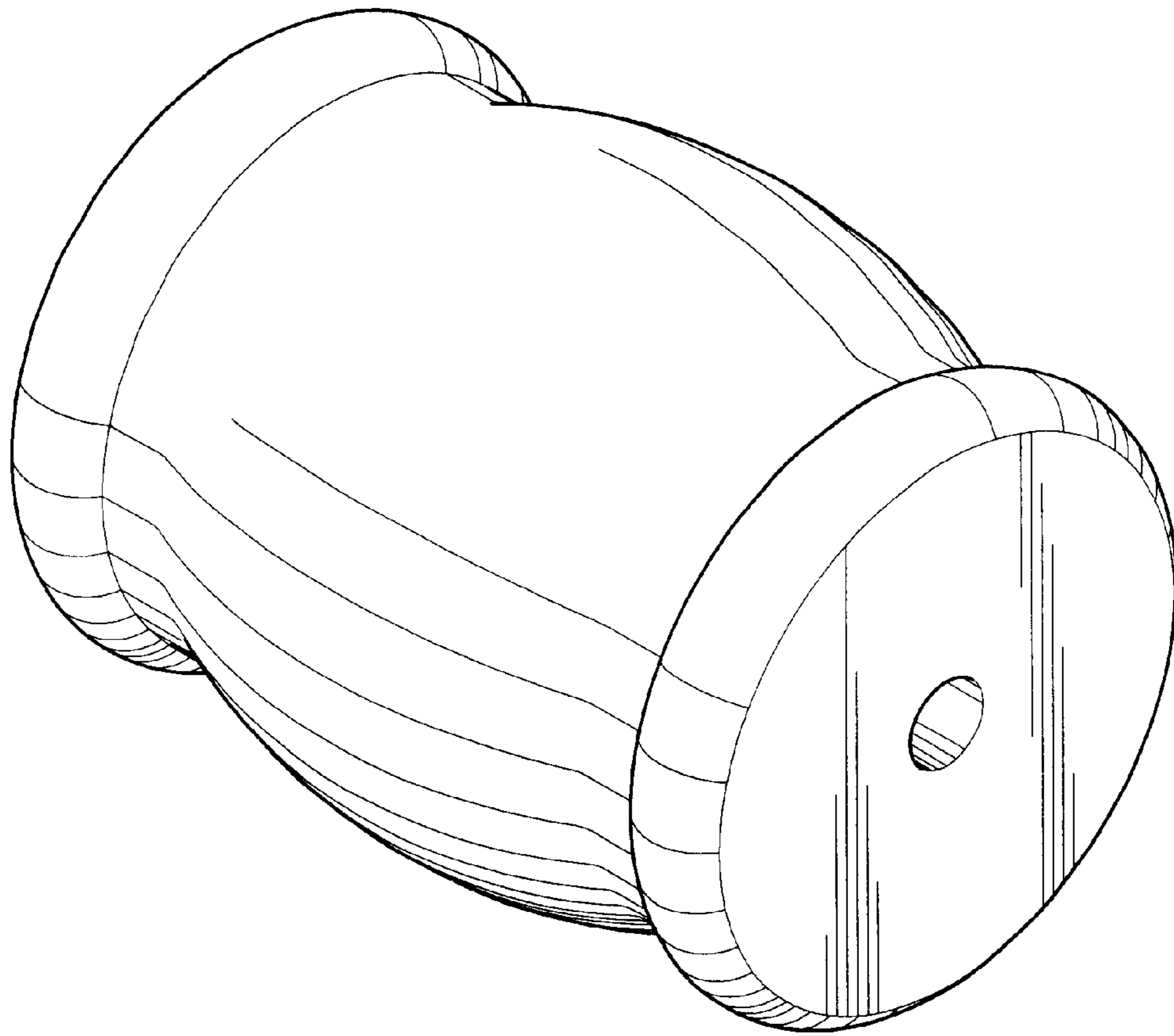


FIG . 1

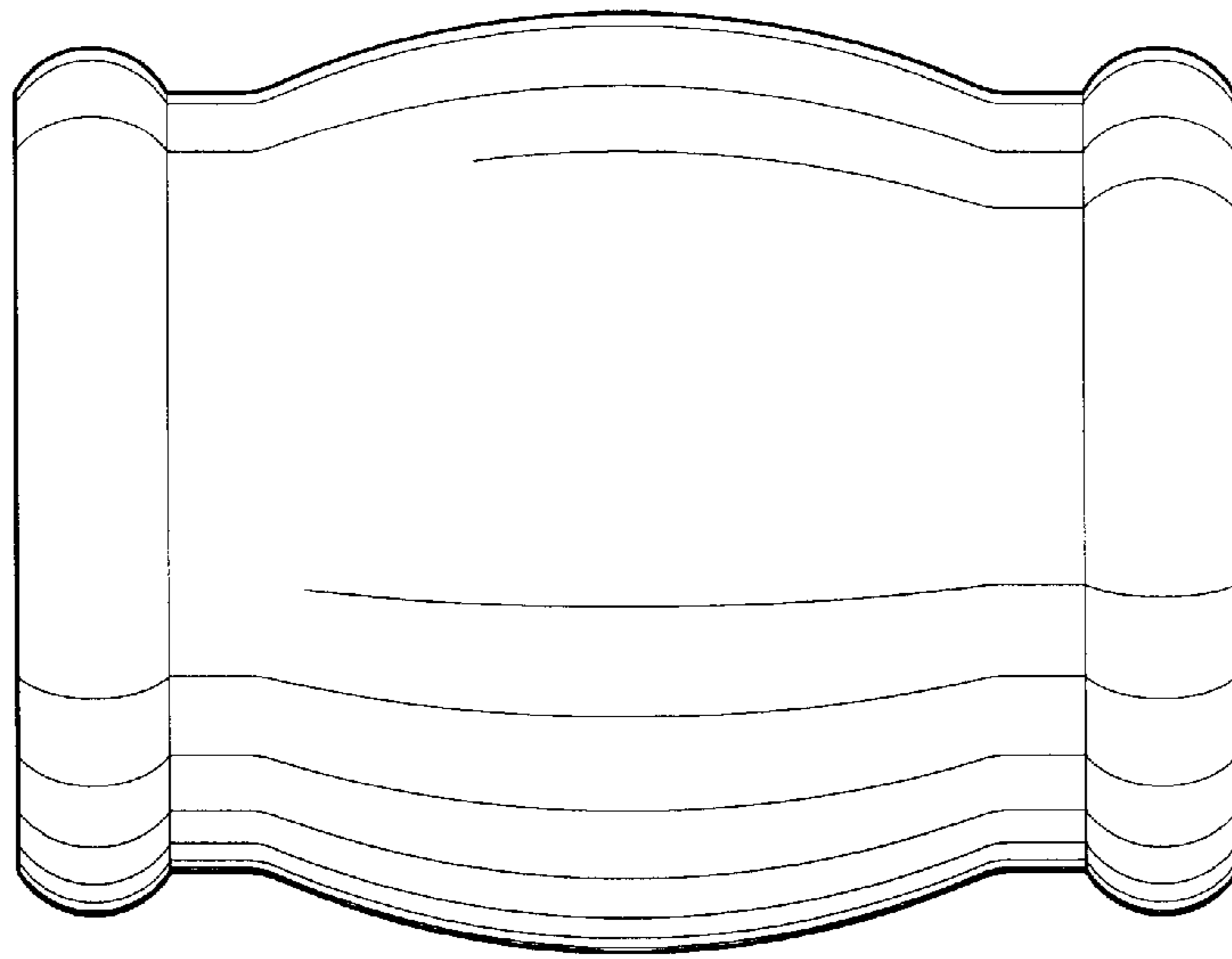


FIG. 2

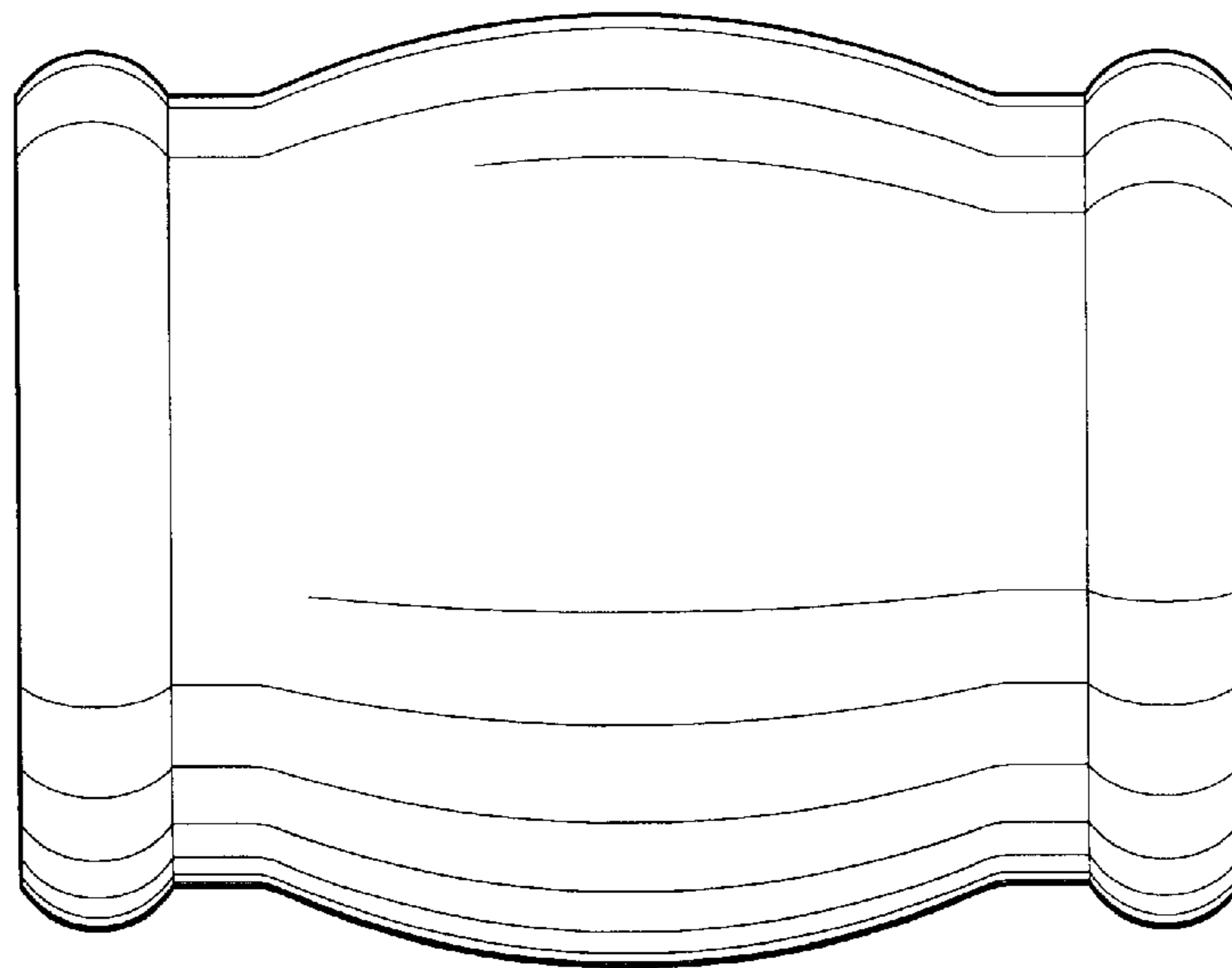


FIG. 3

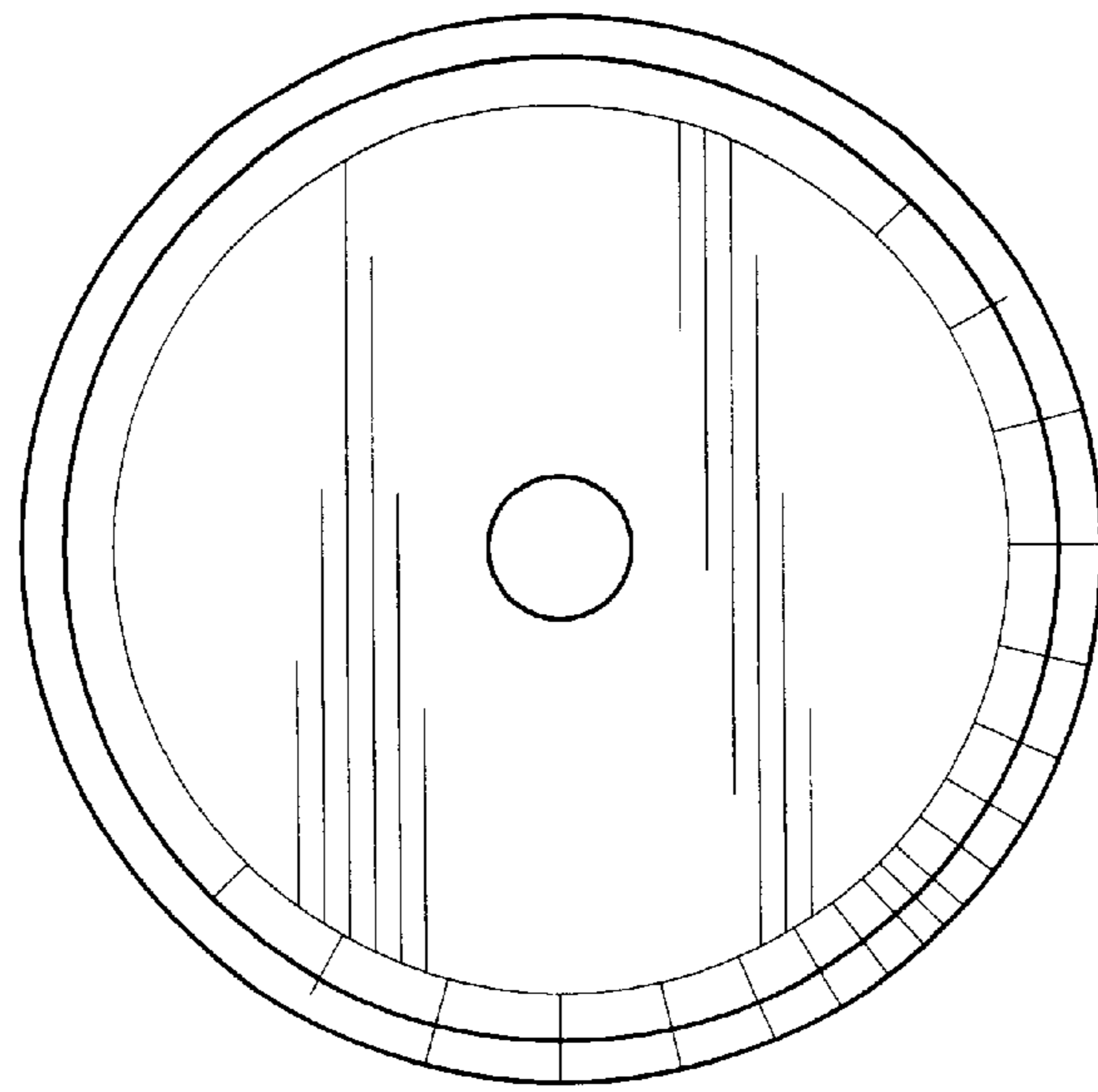


FIG. 4

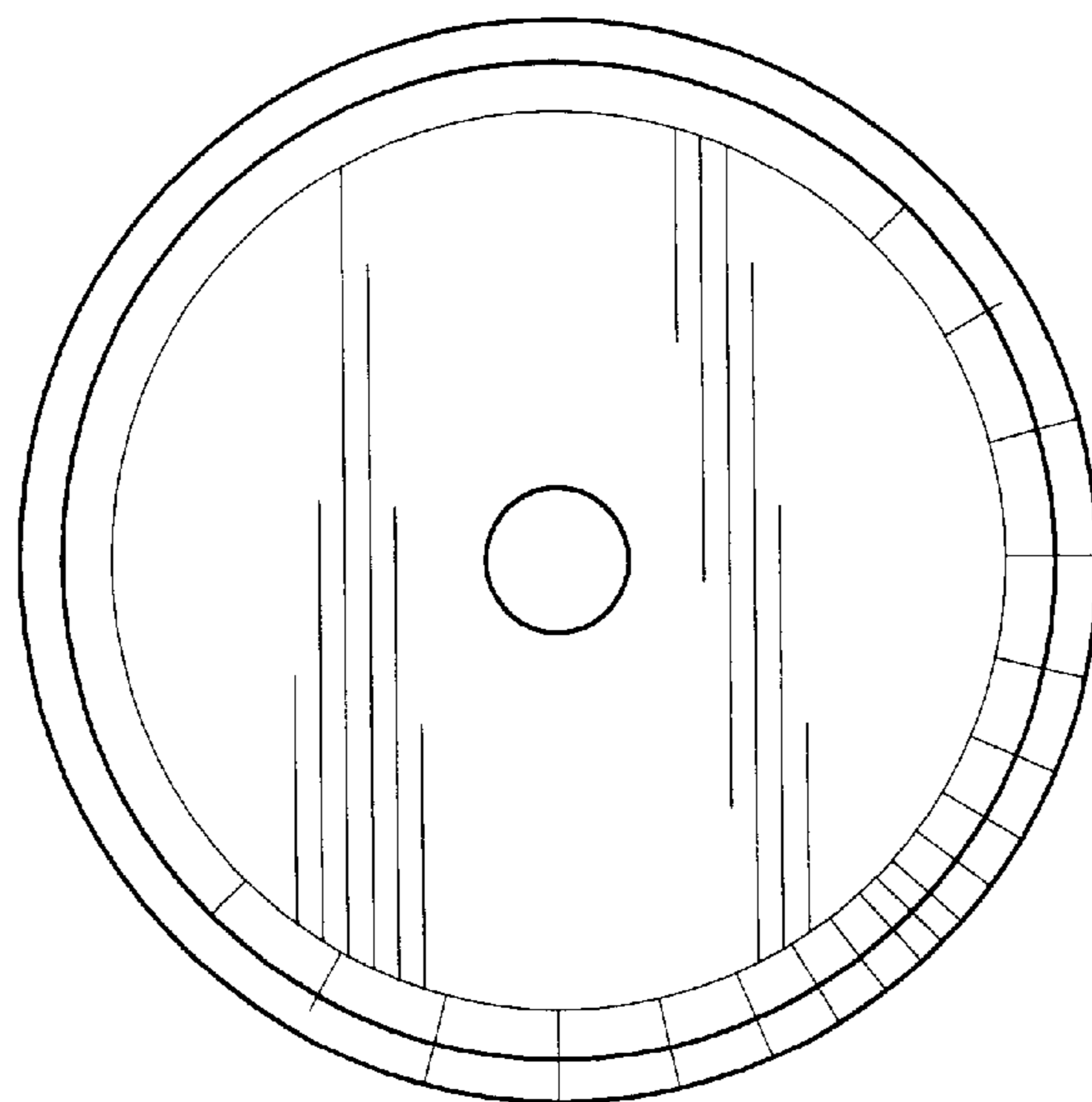


FIG. 5

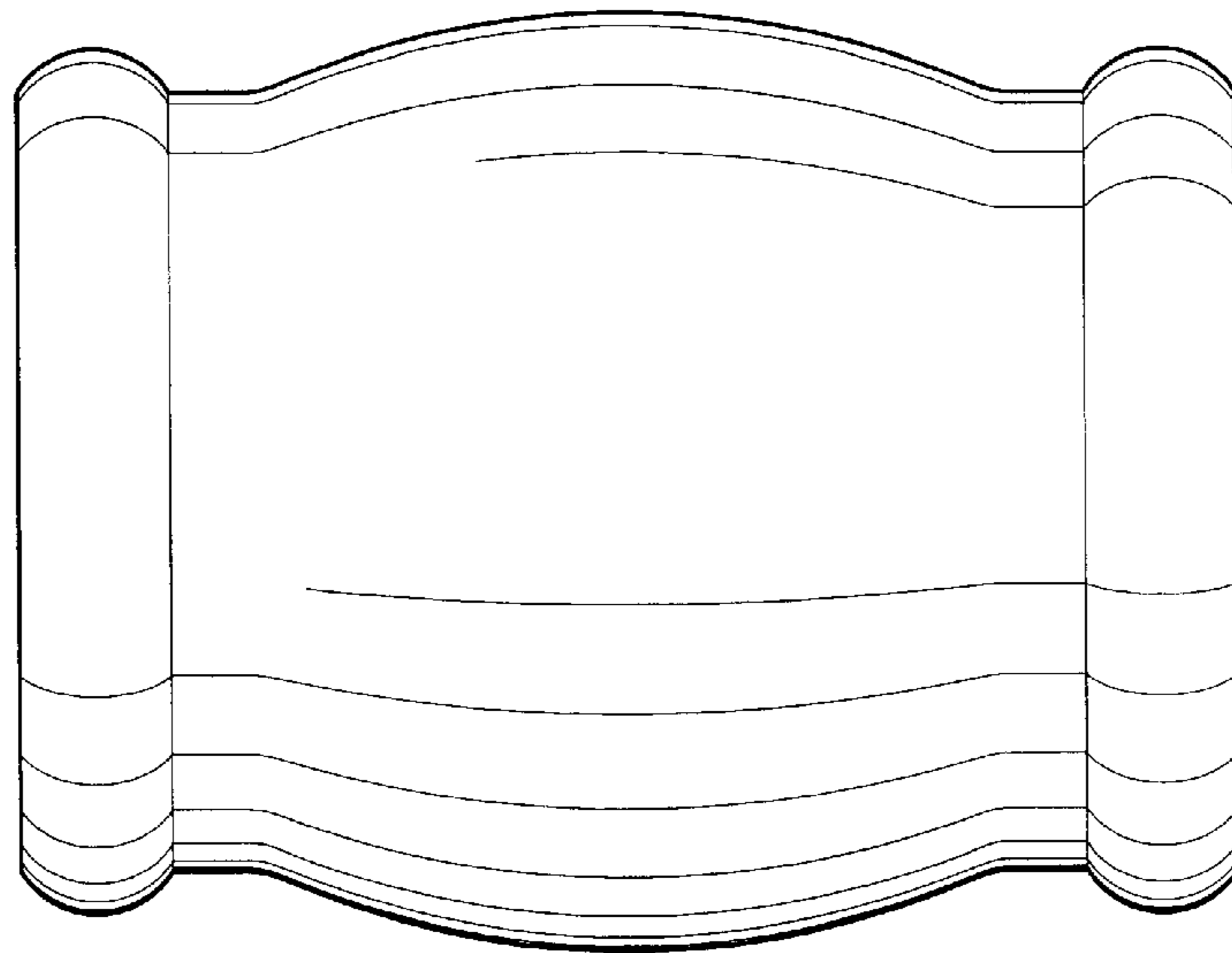


FIG. 6

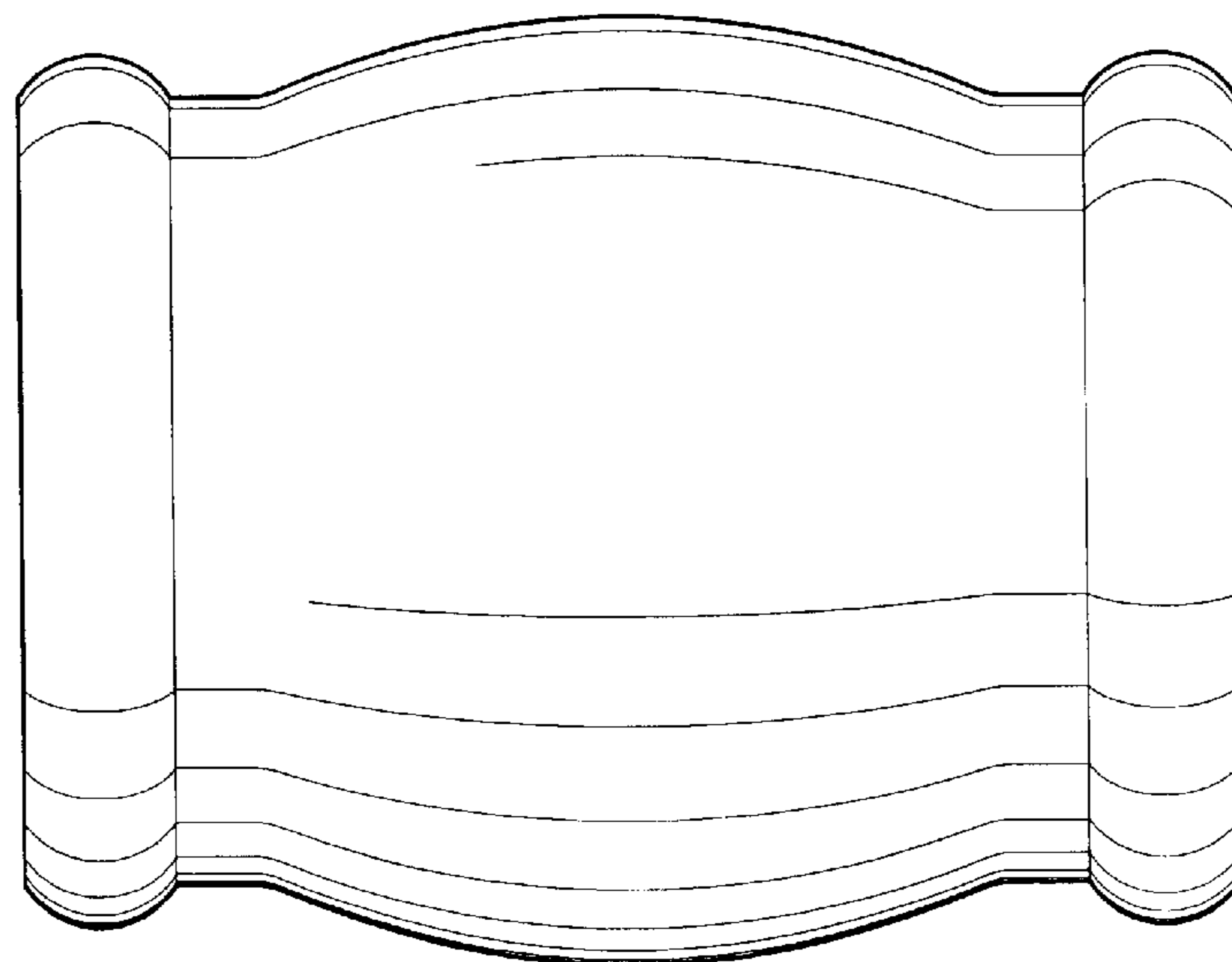


FIG. 7