



US00D517624S

(12) **United States Design Patent**  
**Wilson**

(10) **Patent No.:** **US D517,624 S**  
(45) **Date of Patent:** **\*\* Mar. 21, 2006**

(54) **GOLF PUTTER**

(76) Inventor: **Ralph C. Wilson**, 16 Waverly Pl.,  
Queensbury, NY (US) 12804-1307

(\*\*) Term: **14 Years**

(21) Appl. No.: **29/203,739**

(22) Filed: **Apr. 19, 2004**

(51) **LOC (8) Cl.** ..... **21-02**

(52) **U.S. Cl.** ..... **D21/746**

(58) **Field of Classification Search** ..... D21/733-752,  
D21/759; 473/324-331, 340-346, 350  
See application file for complete search history.

(56) **References Cited**

**U.S. PATENT DOCUMENTS**

D44,457 S	*	8/1913	Taylor, Jr.	.....	D21/751
1,089,881 A	*	3/1914	Taylor, Jr.	.....	473/328
1,505,296 A	*	8/1924	Smith	.....	473/328
1,531,821 A		3/1925	Scott		
1,617,090 A		2/1927	Worthington		
1,756,219 A		4/1930	Spiker		
3,064,975 A		11/1962	Smith		
3,830,503 A		8/1974	Consoli		
5,209,474 A		5/1993	Voyer		
5,211,401 A		5/1993	Hainey		
5,292,128 A		3/1994	Solheim		
5,437,447 A		8/1995	Rigutto		

5,476,262 A		12/1995	Bandiero		
D375,131 S	*	10/1996	Williams	.....	D21/743
5,597,364 A		1/1997	Thompson		
5,601,499 A		2/1997	Segaline		
5,649,870 A		7/1997	Harrison		
5,692,969 A		12/1997	Schooler		
5,704,851 A		1/1998	Lucetti		
5,728,009 A		3/1998	Shanahan		
D399,900 S	*	10/1998	Hogan	.....	D21/742

\* cited by examiner

*Primary Examiner*—Mitchell Siegel

(74) *Attorney, Agent, or Firm*—Ronald A. D'Alessandro;  
Hoffman, Warnick & D'Alessandro LLC

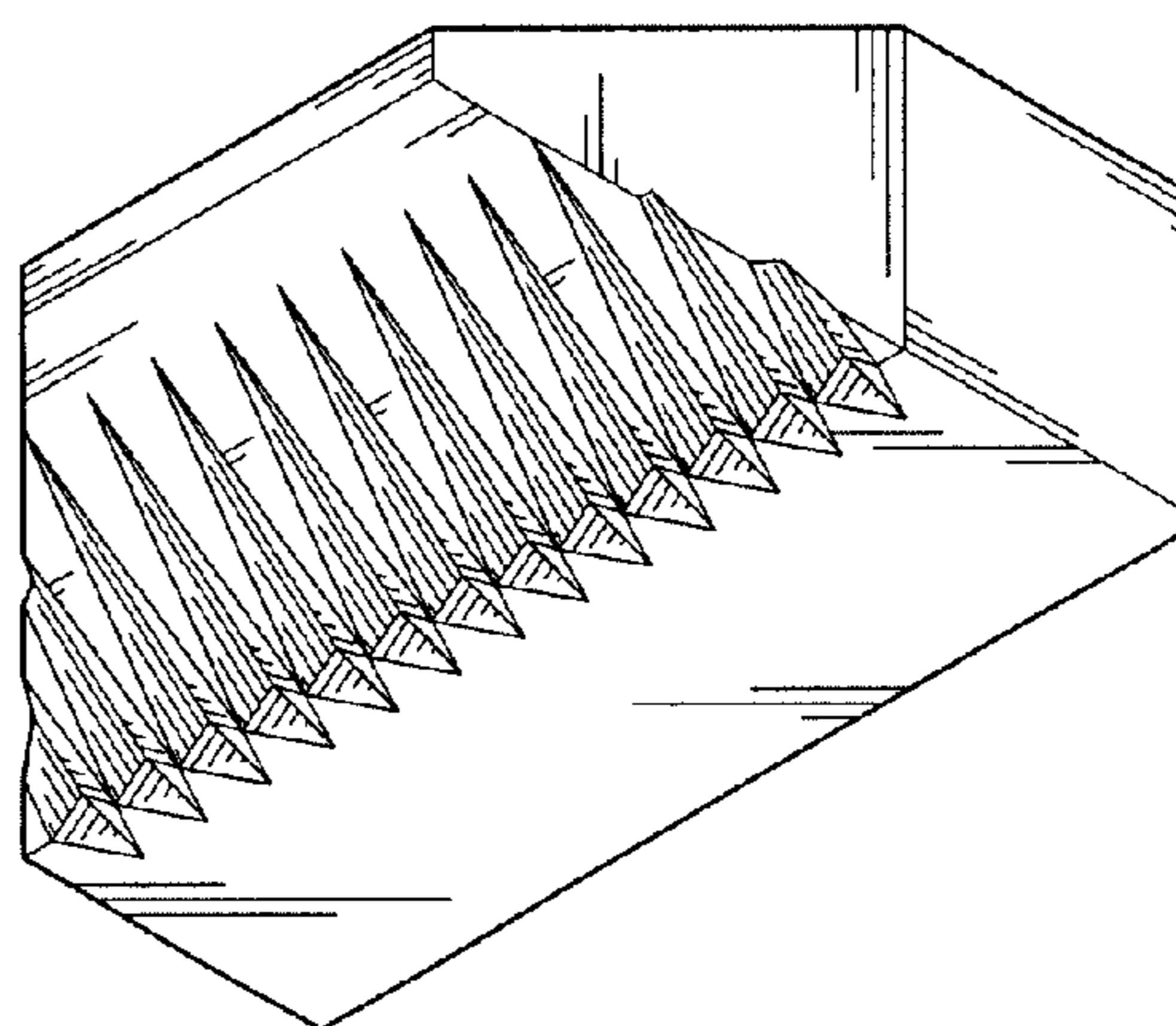
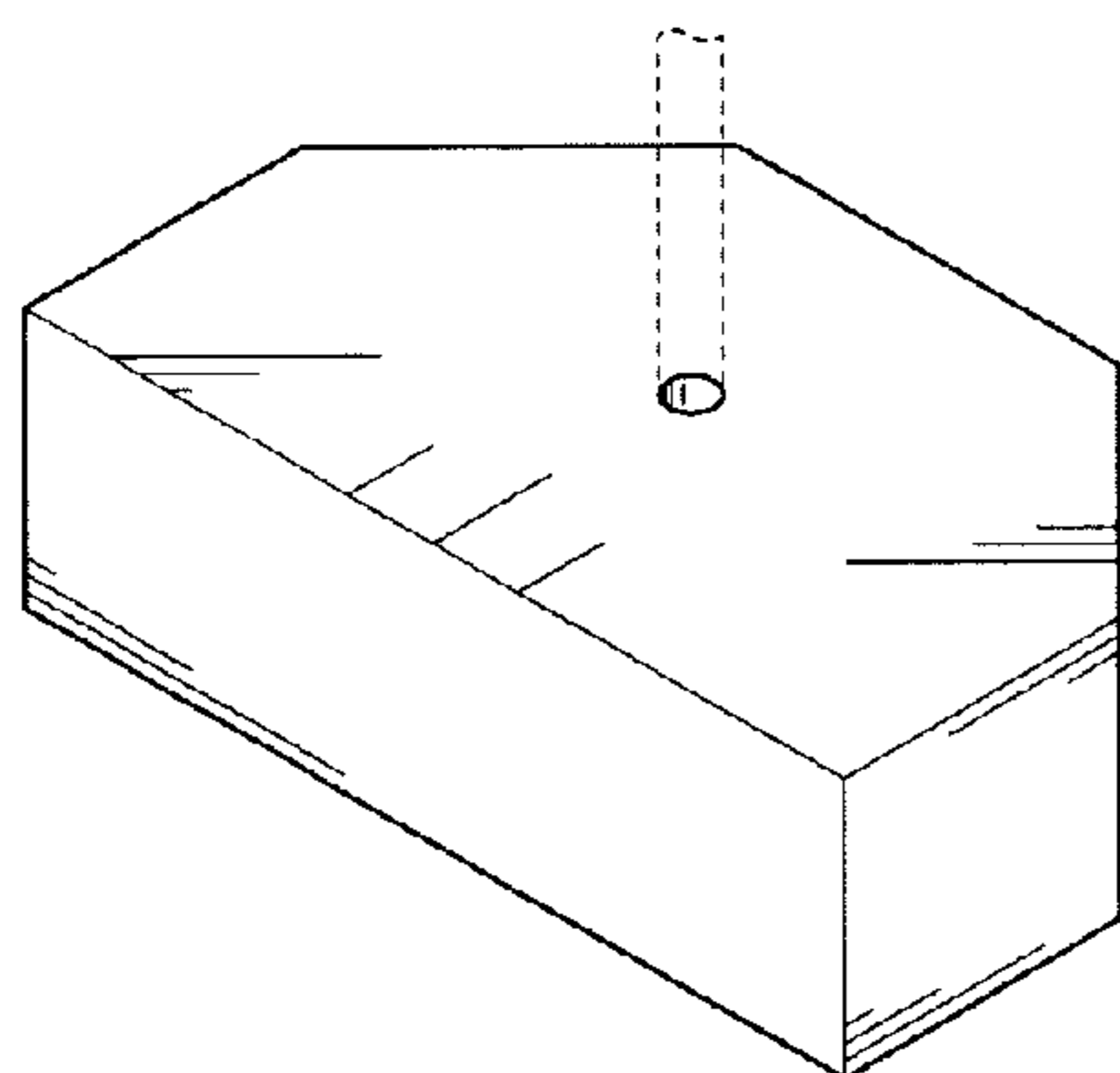
(57) **CLAIM**

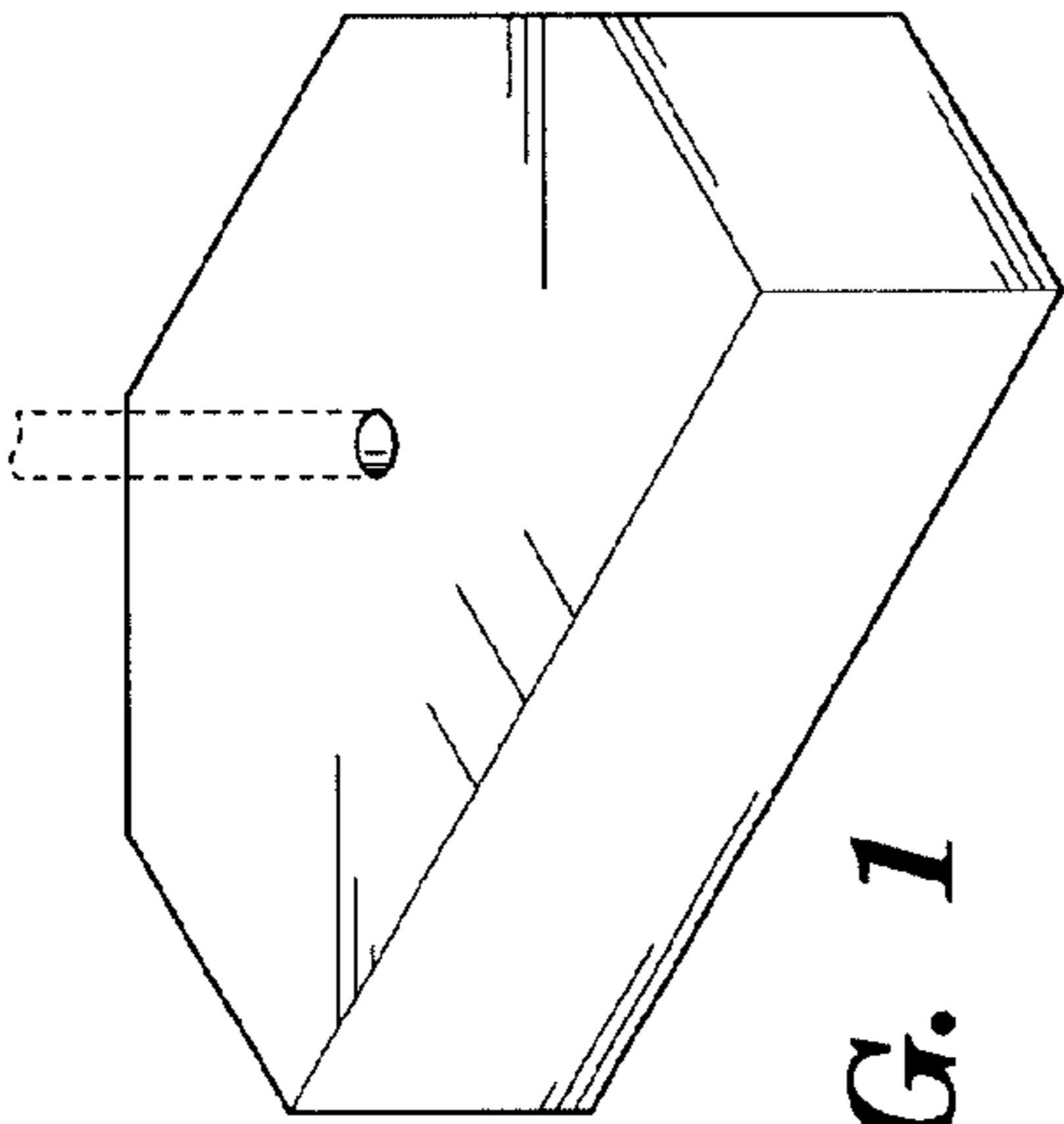
The ornamental design for a golf putter, as shown and described.

**DESCRIPTION**

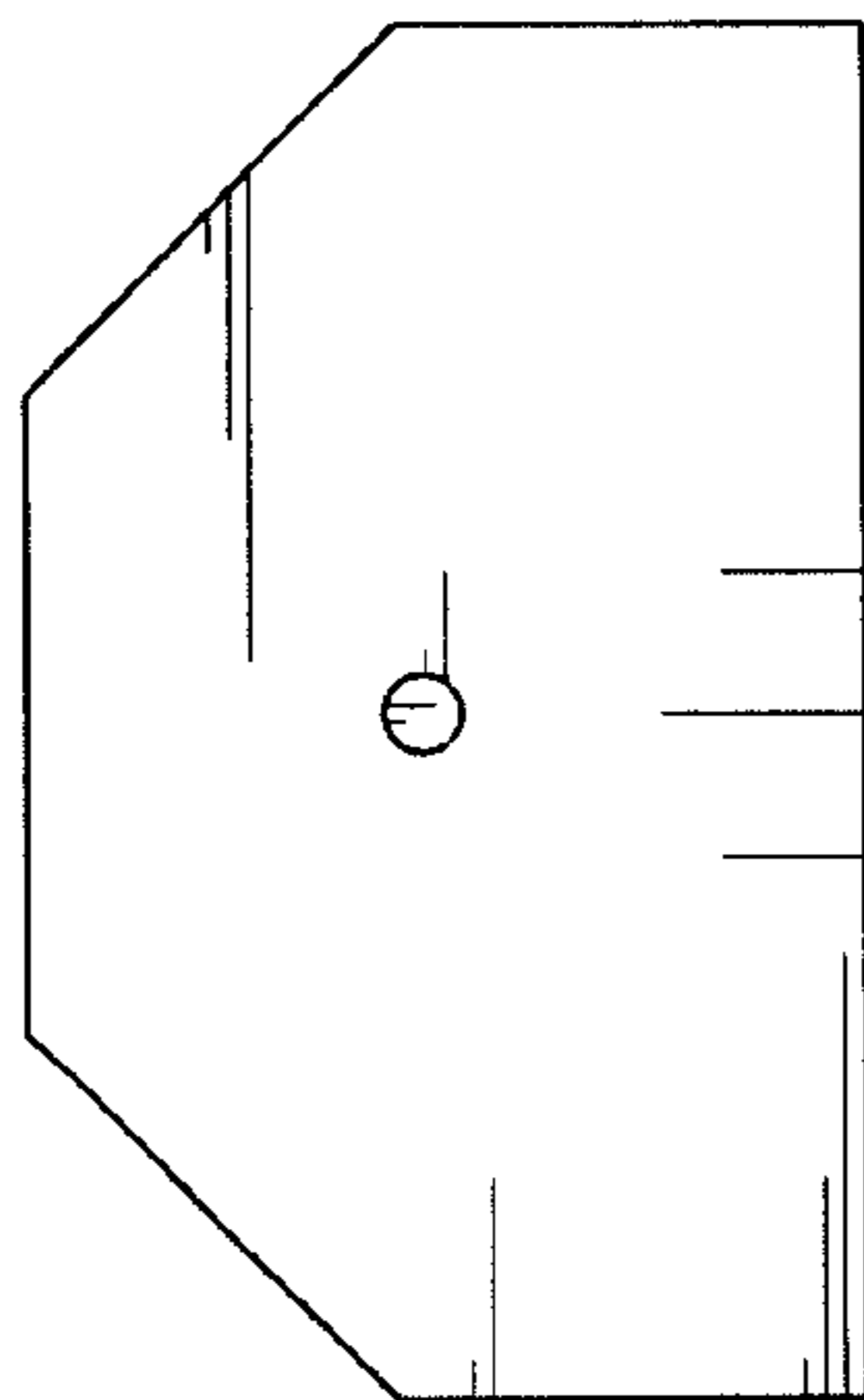
FIG. 1 is an isometric view of a golf putter;  
FIG. 2 is a top view of a golf putter;  
FIG. 3 is a front view of a golf putter;  
FIG. 4 is a right side view of a golf putter;  
FIG. 5 is a rear view of a golf putter;  
FIG. 6 is a bottom view of a golf putter; and,  
FIG. 7 is a bottom perspective view of a golf putter.  
The broken line showing of the shaft is for illustrative purposes only and forms no part of the claimed design.

**1 Claim, 2 Drawing Sheets**

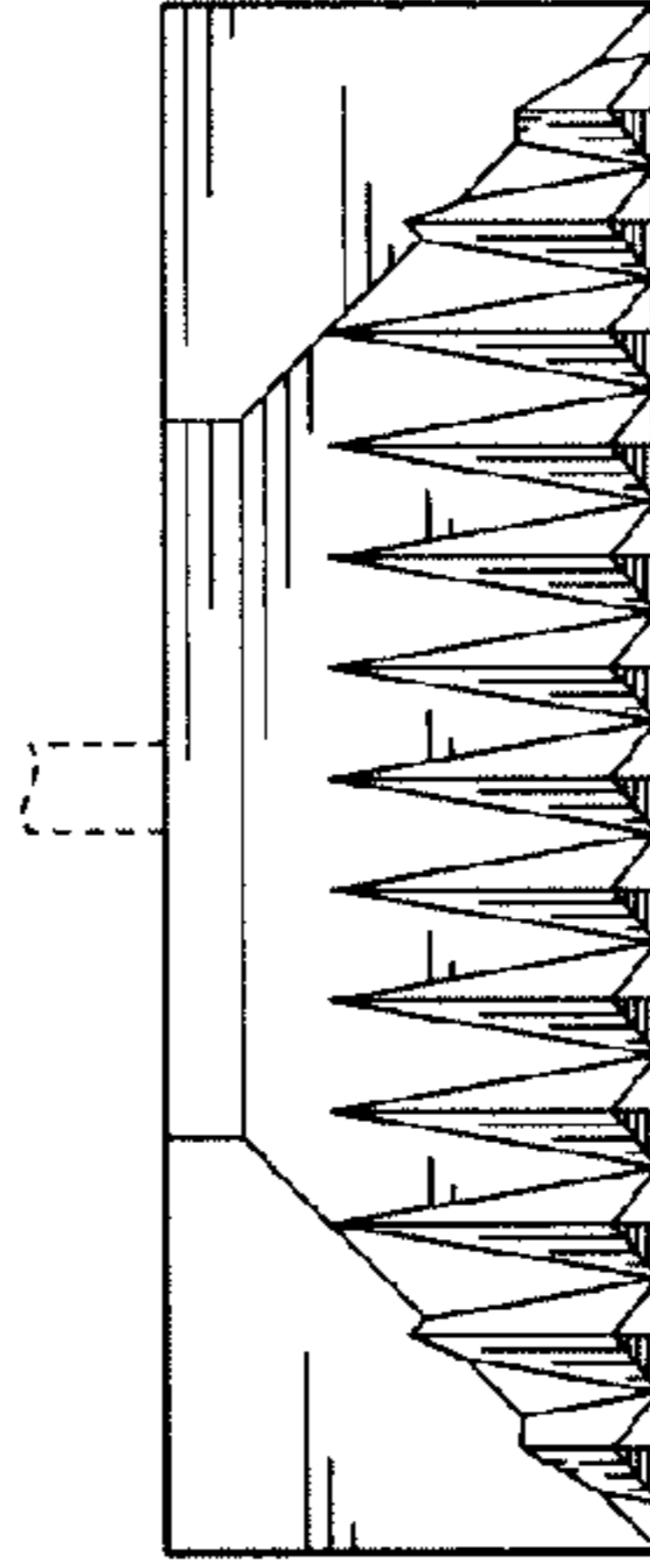




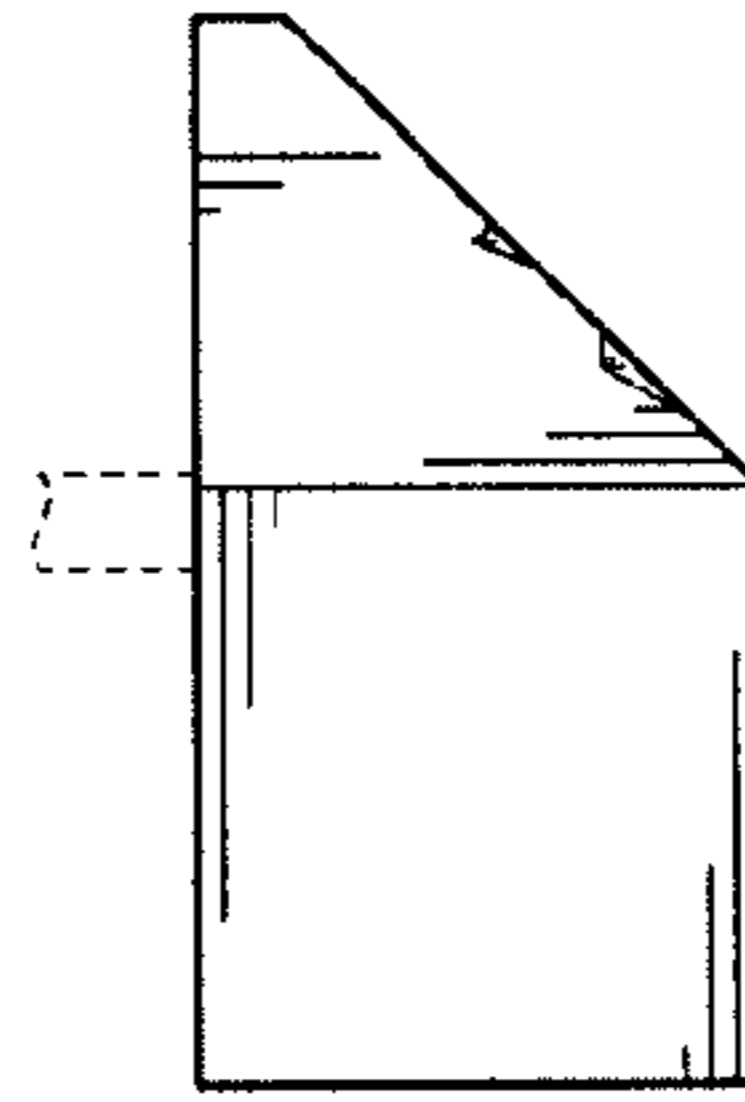
**FIG. 1**



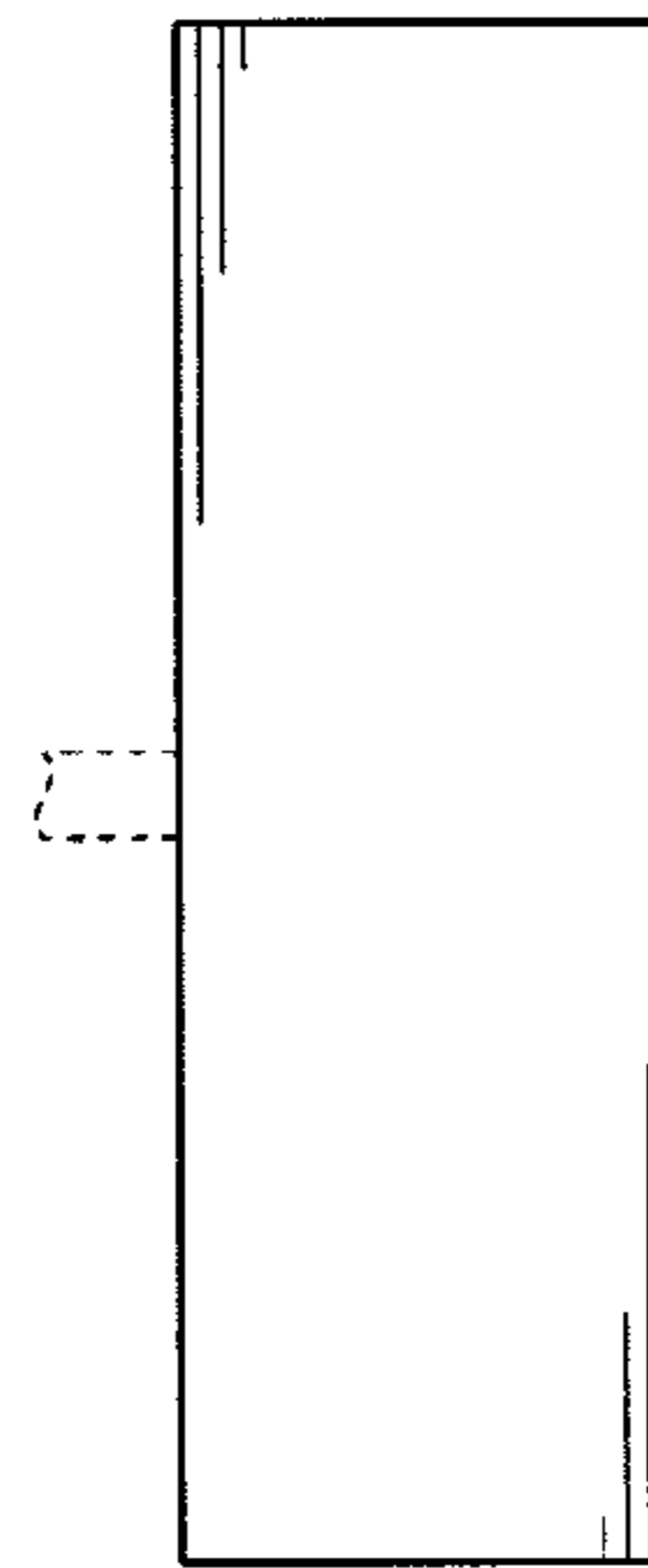
**FIG. 2**



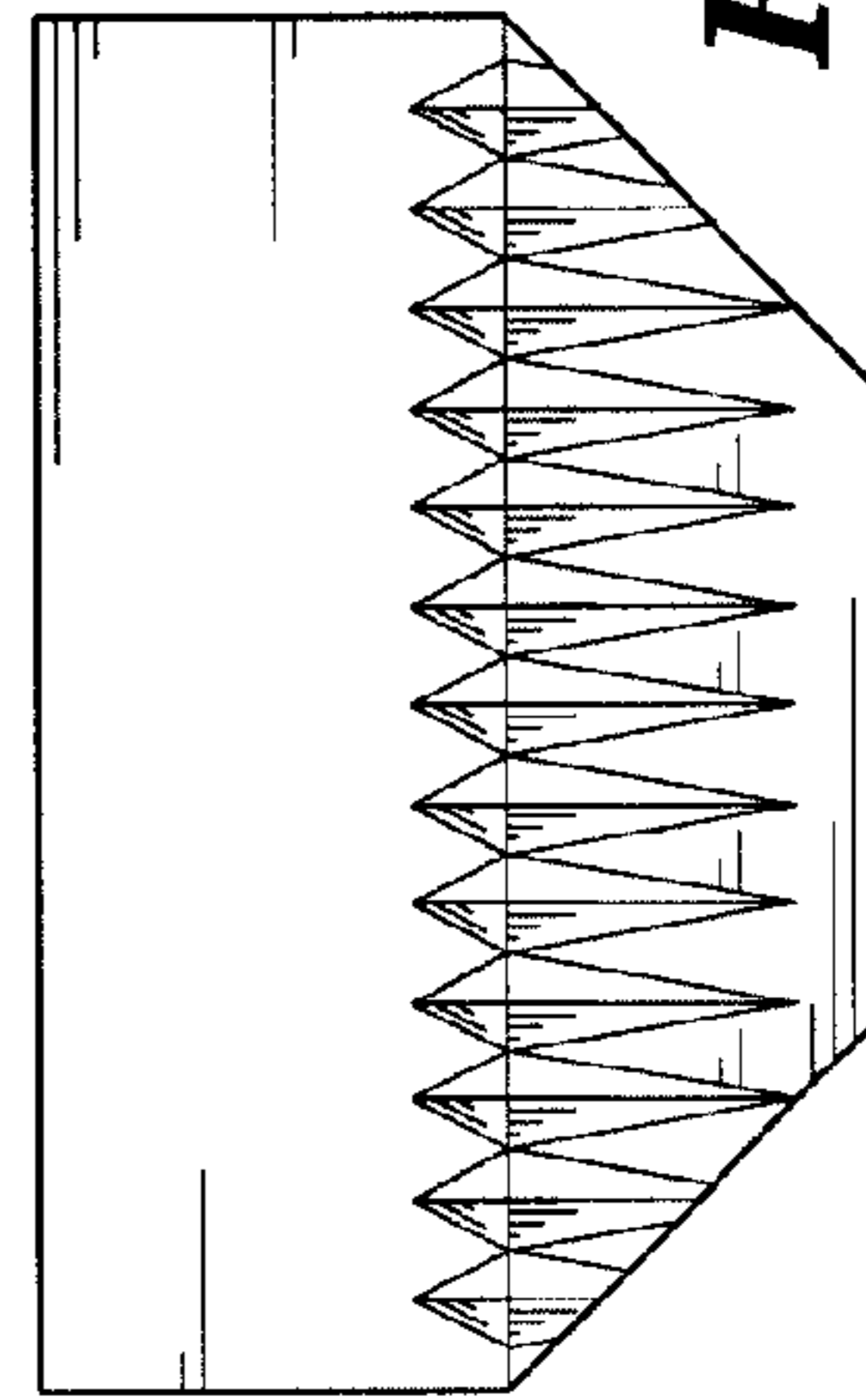
**FIG. 3**



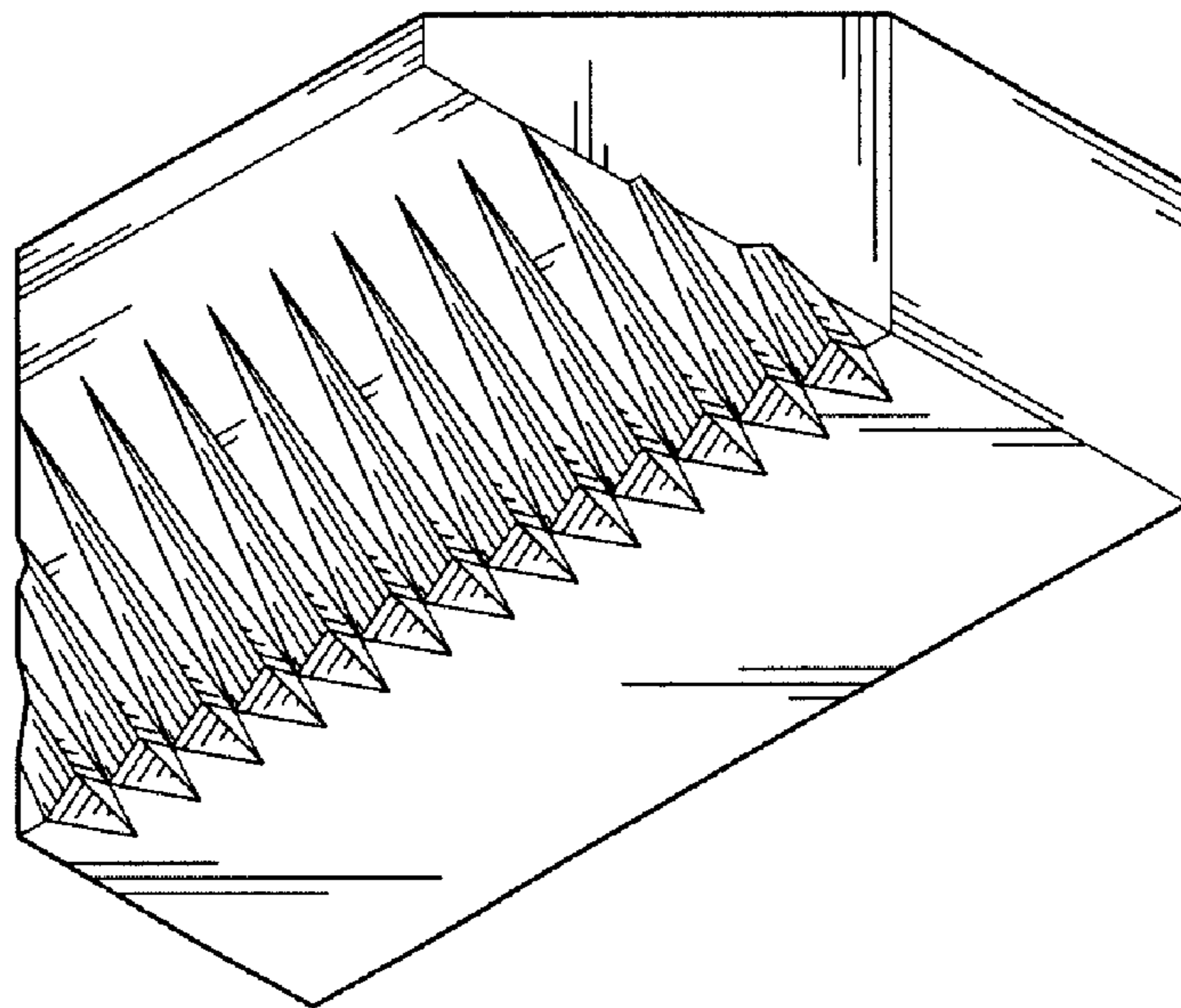
**FIG. 4**



**FIG. 5**



**FIG. 6**



**FIG. 7**