



US00D517621S

(12) **United States Design Patent**
Kuehne et al.

(10) **Patent No.: US D517,621 S**
(45) **Date of Patent: ** Mar. 21, 2006**

- (54) **BASKETBALL**
- (75) Inventors: **Michael K. Kuehne**, Naperville, IL (US); **Kevin L. Krysiak**, Chicago, IL (US)
- (73) Assignee: **Wilson Sporting Goods Co.**, Chicago, IL (US)
- (**) Term: **14 Years**
- (21) Appl. No.: **29/225,754**
- (22) Filed: **Mar. 18, 2005**

5,451,046 A	9/1995	Batton	273/55
5,588,648 A	12/1996	Stebbins	473/451
5,681,233 A	10/1997	Guenther et al.	473/605
5,762,573 A	6/1998	Kennedy, III et al.	473/570
5,931,752 A	8/1999	Guenther et al.	473/597
5,967,917 A	10/1999	Feeney et al.	473/604
5,984,812 A	11/1999	Sassak	473/596
6,123,633 A	9/2000	Guenther et al.	473/604
6,200,239 B1	3/2001	Kennedy, III et al.	473/604
6,206,795 B1	3/2001	Ou	473/599
6,398,894 B1	6/2002	Lee	156/147
6,520,877 B1	2/2003	Yang	473/604
D478,641 S	8/2003	Kuehne	D21/713
6,634,970 B1	10/2003	Jiminez	473/597

(Continued)

Related U.S. Application Data

- (63) Continuation-in-part of application No. 29/206,334, filed on May 28, 2004.
- (51) **LOC (8) Cl.** **21-02**
- (52) **U.S. Cl.** **D21/713**
- (58) **Field of Classification Search** D21/707-714; 473/569-614, FOR 134, FOR 143, FOR 148, 473/FOR 149, FOR 152, FOR 154, FOR 155, 473/FOR 157, FOR 159, FOR 167
See application file for complete search history.

FOREIGN PATENT DOCUMENTS

EM 00204334-0001 * 10/2004

OTHER PUBLICATIONS

Hong Kong Toys Jan. 2002, p. 718, upper left corner frame: Soft Stuffed Ball indicated by arrow.*
Oriental Trading Company, Inc. Spring 2004 Catalog, p. 50: top of page, vinyl kick ball indicated by arrow.*

Primary Examiner—Catherine Tuttle
(74) *Attorney, Agent, or Firm*—Terence P. O'Brien

(56) **References Cited**

U.S. PATENT DOCUMENTS

1,240,866 A	9/1917	Miller	
1,559,117 A	10/1925	Maynard	
1,931,429 A	10/1933	Buckner et al.	273/65
D95,034 S	4/1935	Frederick	
2,011,760 A	8/1935	Gallinant	273/65
2,086,094 A *	7/1937	Reach	473/613
2,116,479 A	5/1938	Reach	273/65
2,761,684 A	9/1956	Crowley et al.	273/65
3,119,618 A	1/1964	Molitor et al.	273/65
3,405,018 A	10/1968	Way	156/147
RE27,106 E	3/1971	Henderson	273/65
D232,957 S	9/1974	Kahelin	D34/15
4,867,452 A	9/1989	Finley	273/65
5,133,550 A	7/1992	Handy	273/65
5,183,263 A	2/1993	Kuebler	273/65
5,228,687 A	7/1993	Luecke et al.	273/65

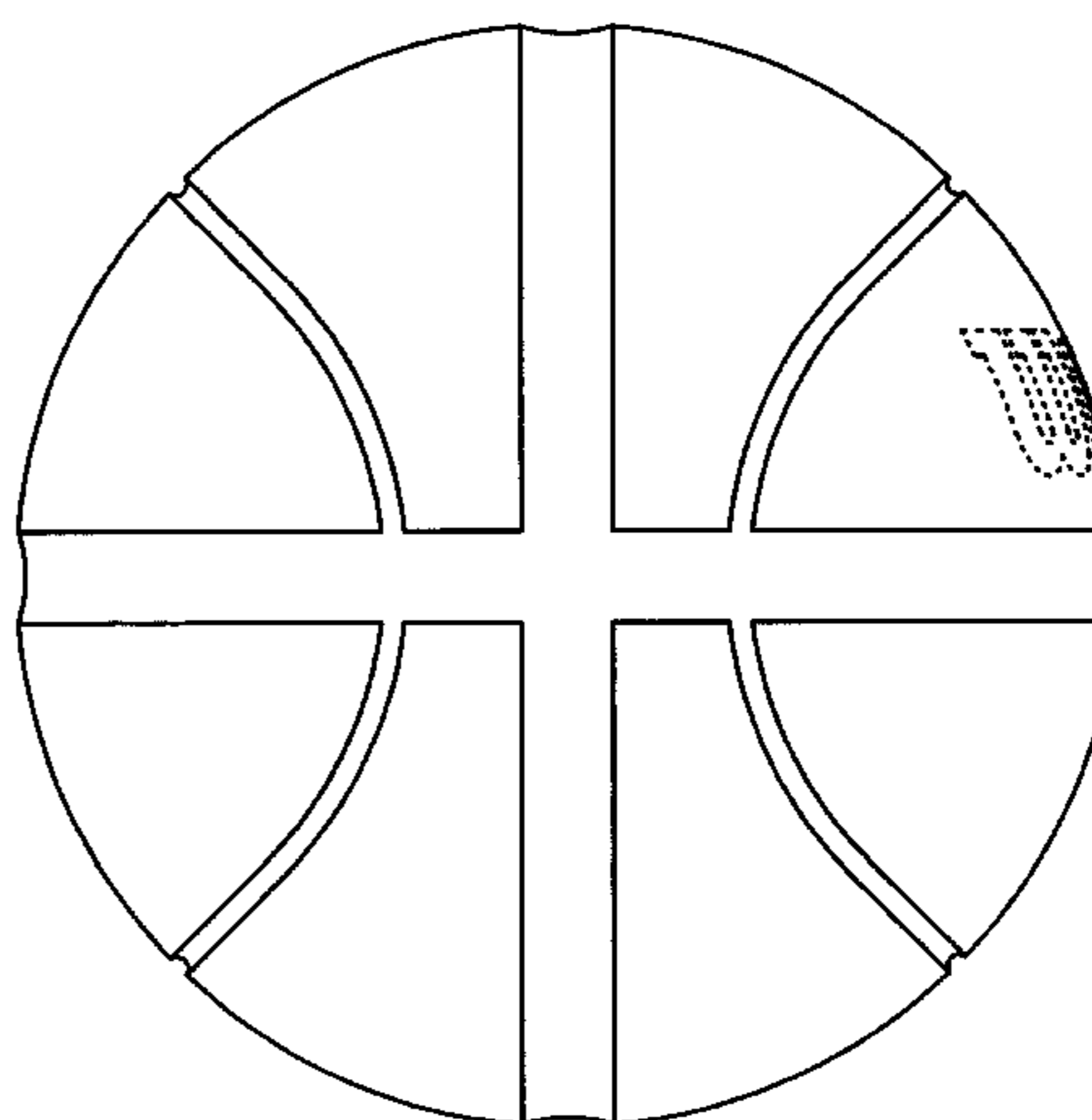
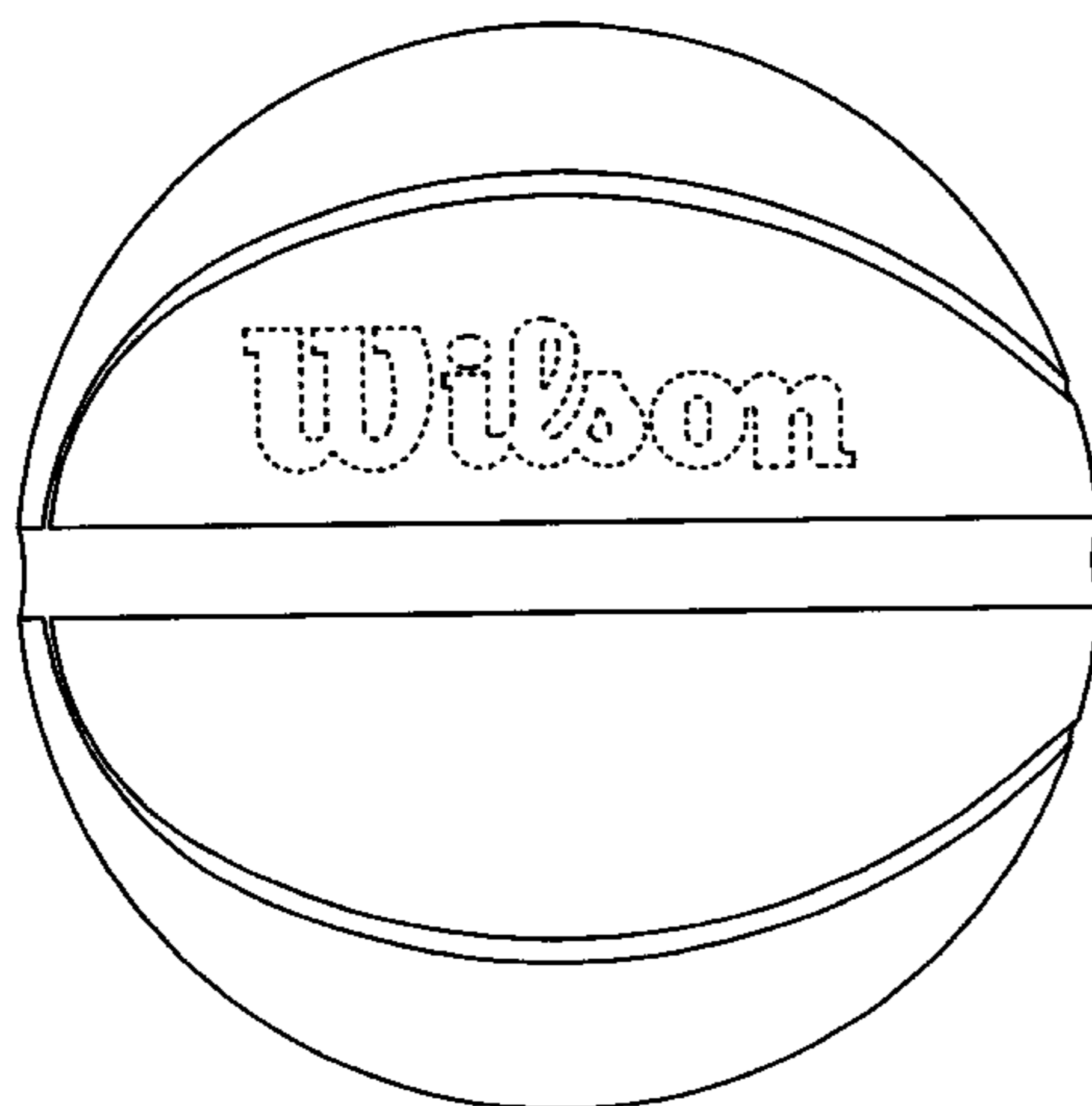
(57) **CLAIM**

We claim the ornamental design for a basketball, as shown and described.

DESCRIPTION

FIG. 1 is a front view of a basketball of the present design; FIG. 2 is a side view of the basketball of FIG. 1; FIG. 3 is the opposing side view of FIG. 2; and, FIG. 4 is a rear view of the basketball of FIG. 1. The ornamental design that is claimed is shown in solid lines in the drawings. The broken (dashed) lines shown in FIGS. 1 through 4 are included only for the purpose of illustrating environmental elements, and form no part of the claimed design.

1 Claim, 4 Drawing Sheets



US D517,621 S

Page 2

U.S. PATENT DOCUMENTS			
6,645,099 B1	11/2003	Gaff et al.	473/596
D493,856 S *	8/2004	Nishihara	D21/713
2002/0098928 A1	7/2002	Ou	473/604
2004/0121865 A1	6/2004	Lee et al.	473/597
2004/0229722 A1 *	11/2004	Liu	473/605
2005/0153803 A1 *	7/2005	Swiszc et al.	473/593

* cited by examiner

FIG.1

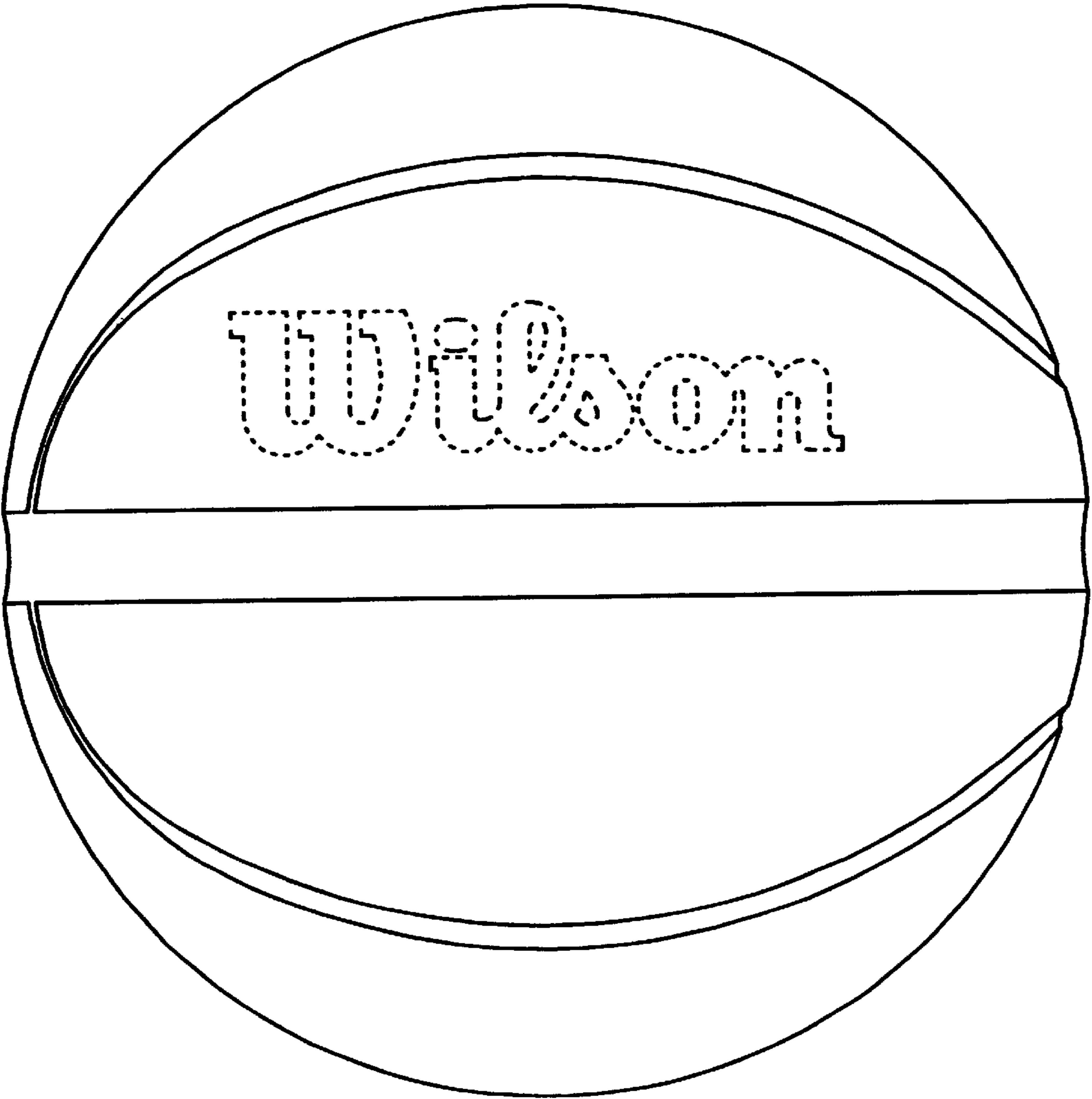


FIG.2

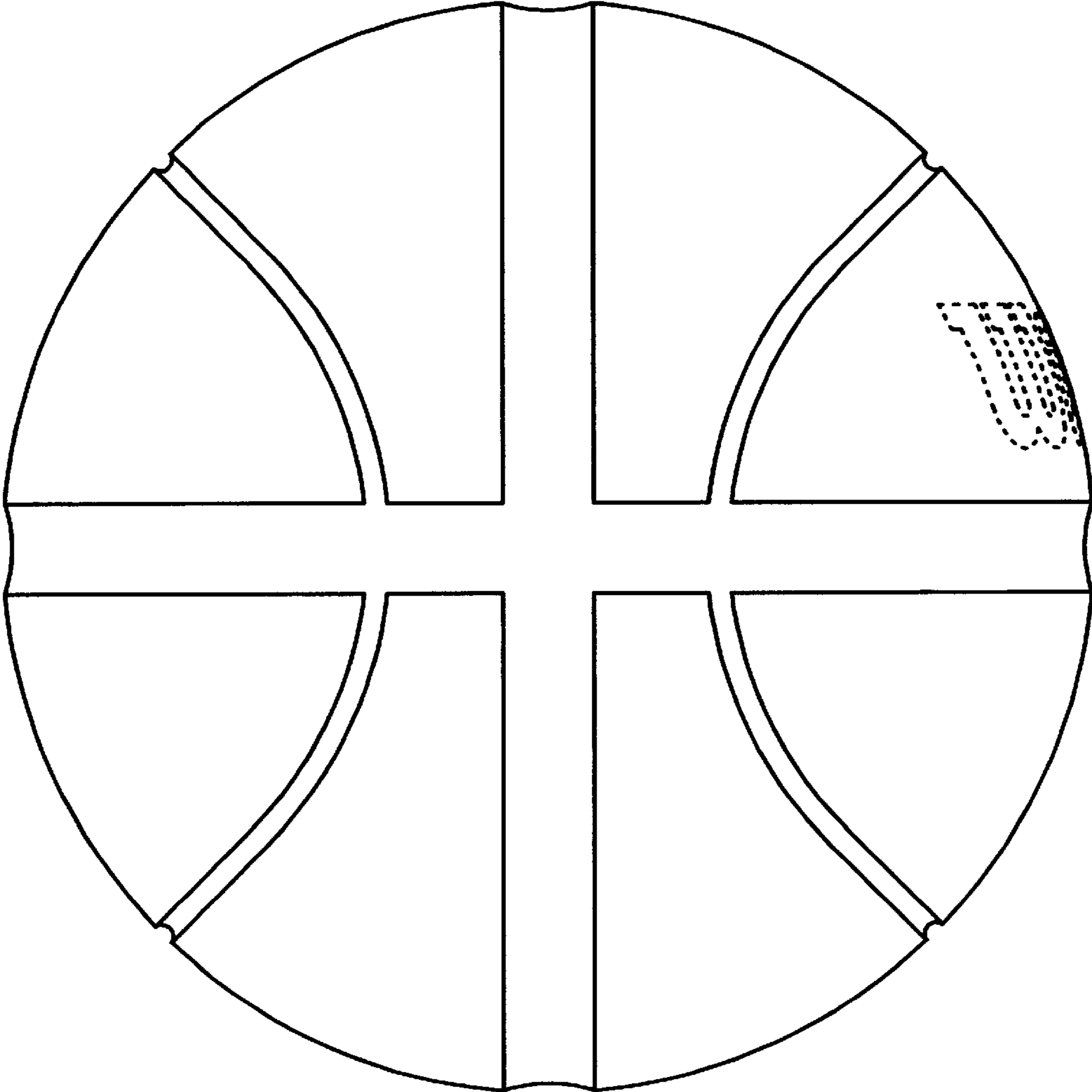


FIG.3

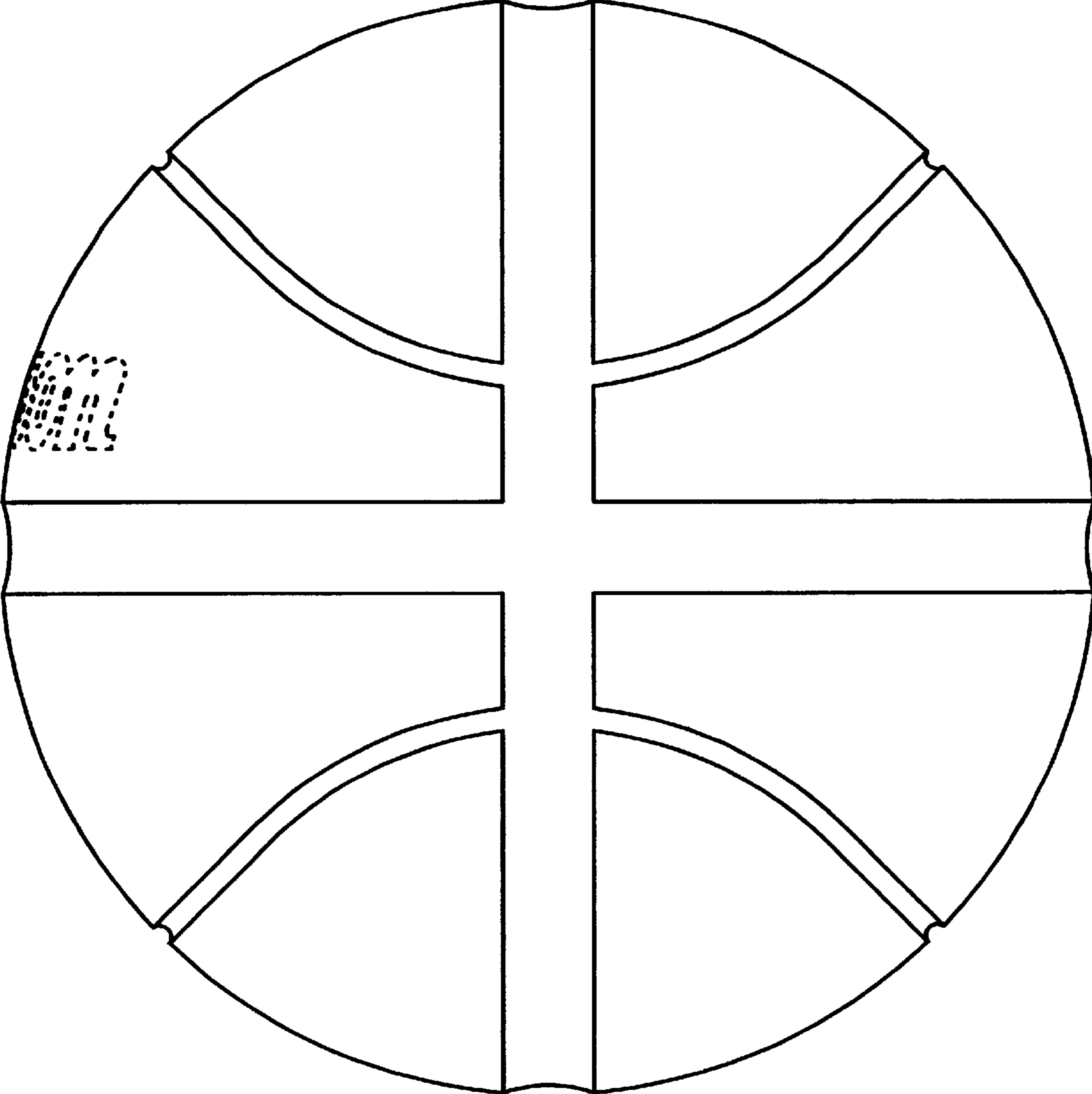


FIG.4

