



US00D517600S

(12) **United States Design Patent**
Lui

(10) **Patent No.:** **US D517,600 S**
(45) **Date of Patent:** **** Mar. 21, 2006**

- (54) **CLIP FOR INK CARTRIDGE**
- (75) Inventor: **Pui-Kuong Lui, Kowloon (HK)**
- (73) Assignee: **Monitek Electronics Limited, Kowloon (HK)**
- (**) Term: **14 Years**
- (21) Appl. No.: **29/225,942**
- (22) Filed: **Mar. 23, 2005**
- (51) **LOC (8) Cl.** **18-02**
- (52) **U.S. Cl.** **D18/56**
- (58) **Field of Classification Search** D18/40,
D18/43, 56; 247/32, 85, 86-87
See application file for complete search history.

- D496,685 S * 9/2004 Lui et al. D18/56
- D496,686 S * 9/2004 Lui et al. D18/56
- 6,834,925 B1 * 12/2004 Ikeda 347/86
- 6,916,085 B1 * 7/2005 Kotaki et al. 347/86
- 2002/0140778 A1 * 10/2002 Yoshiyama et al. 347/86
- 2002/0163566 A1 * 11/2002 Jang et al. 347/86

* cited by examiner

Primary Examiner—Cathy Anne MacCormac
(74) *Attorney, Agent, or Firm*—Rosenberg, Klein & Lee

(57) **CLAIM**

The ornamental design for a “clip for ink cartridge,” as shown and described.

DESCRIPTION

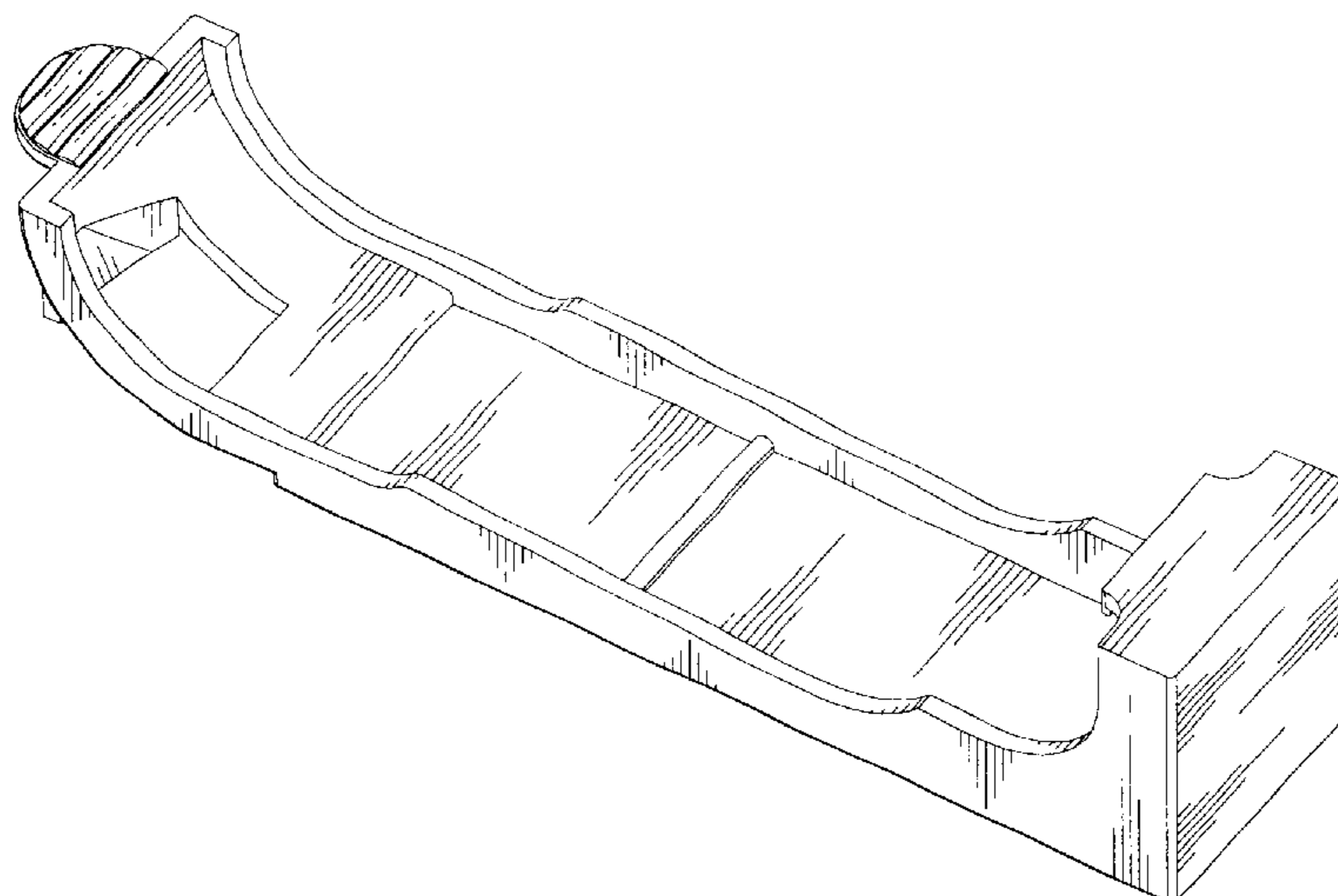
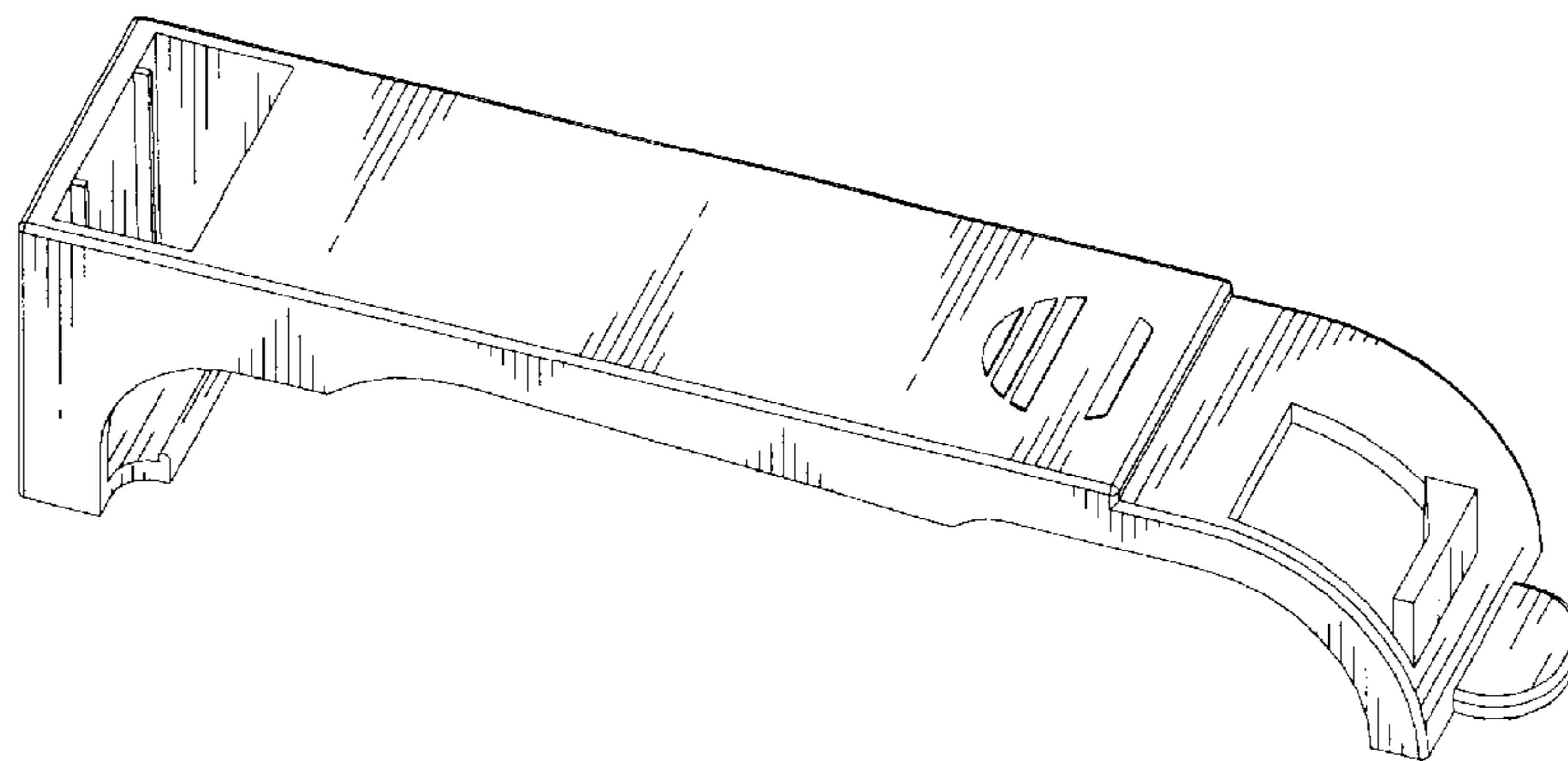
FIG. 1 is a perspective view of a “clip for ink cartridge” showing my new design;
FIG. 2 is a front view thereof;
FIG. 3 is a rear view thereof;
FIG. 4 is a left side view thereof;
FIG. 5 is a right side view thereof;
FIG. 6 is a top view thereof;
FIG. 7 is a bottom view thereof; and,
FIG. 8 is another perspective view thereof, viewed from another angle.

1 Claim, 5 Drawing Sheets

(56) **References Cited**

U.S. PATENT DOCUMENTS

- 5,627,574 A * 5/1997 Fahy 347/32
- 5,883,653 A * 3/1999 Sasaki 347/86
- 6,027,209 A * 2/2000 Menendez et al. 347/85
- D422,632 S * 4/2000 Chung et al. D18/56
- D473,895 S * 4/2003 Yan D18/56
- D473,896 S * 4/2003 Yan D18/56
- D494,216 S * 8/2004 Yan D18/56



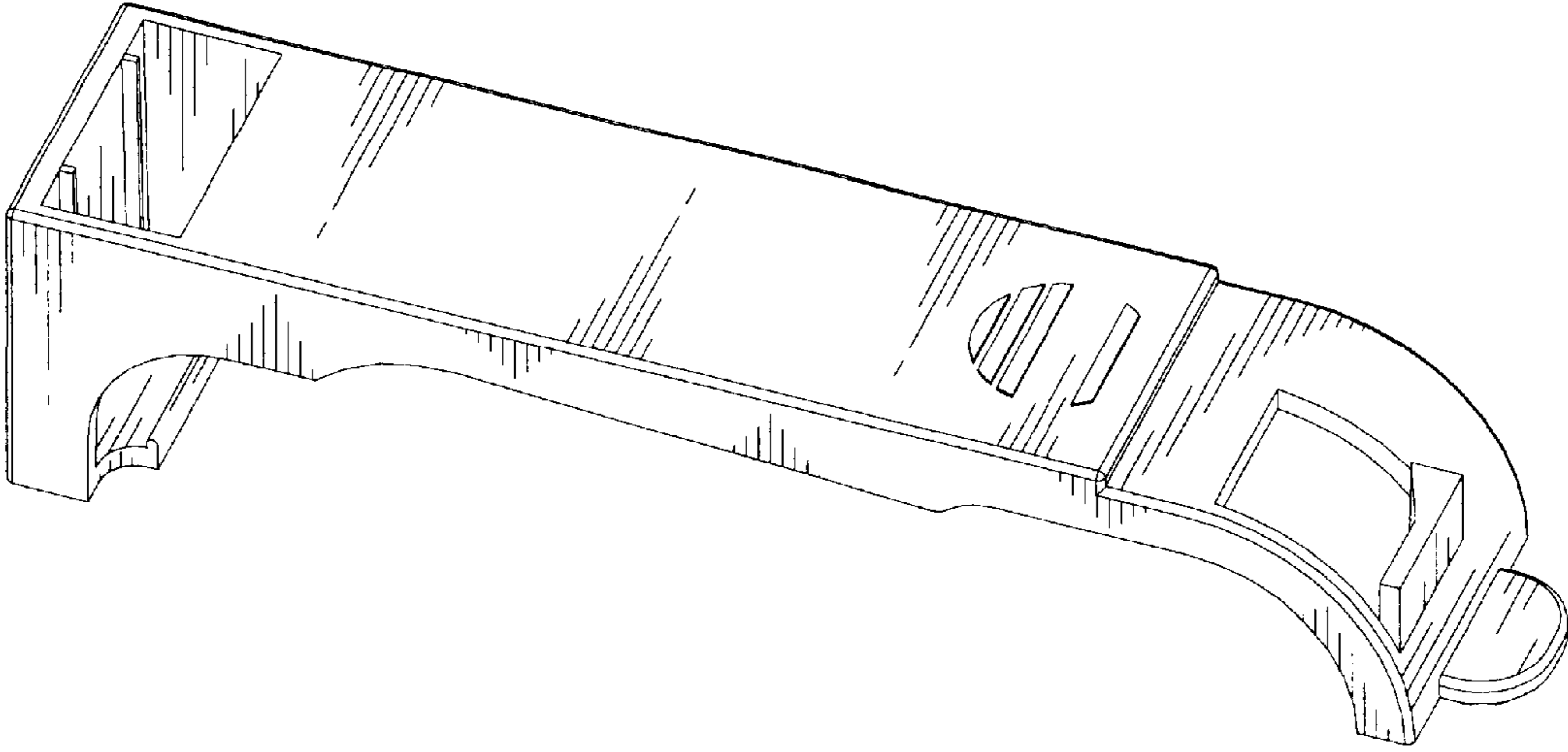


FIG 1

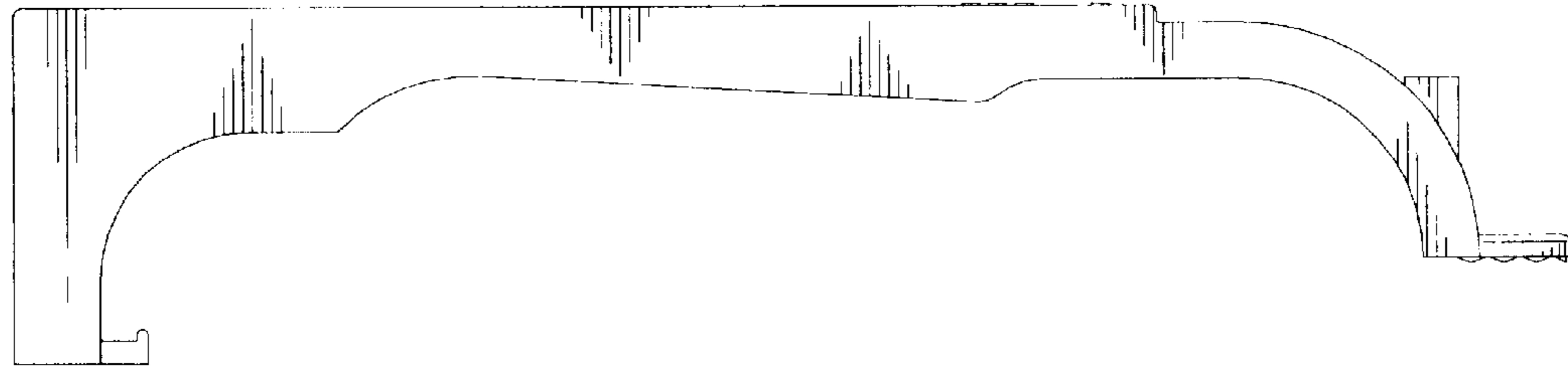


FIG 2

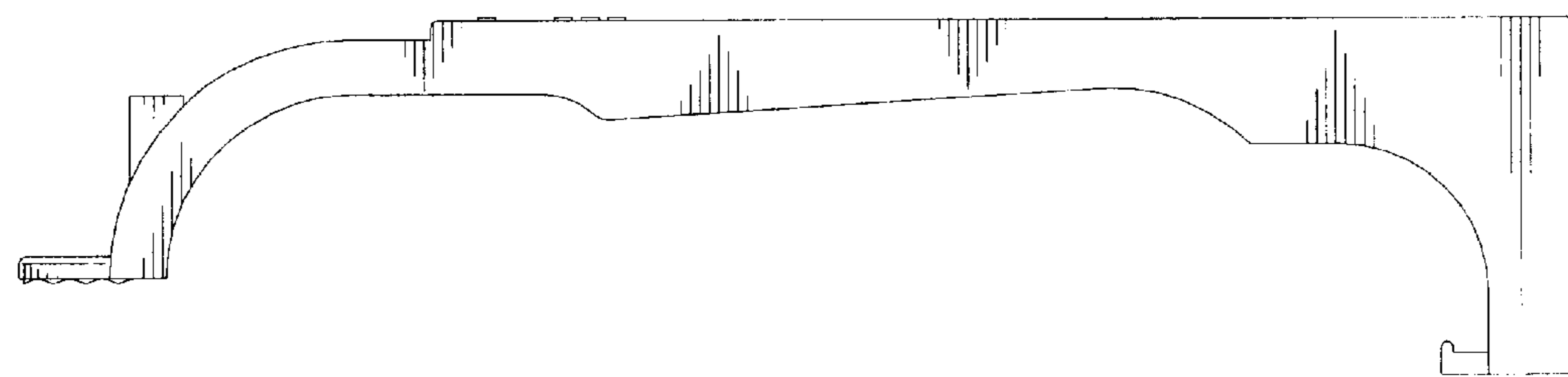


FIG 3

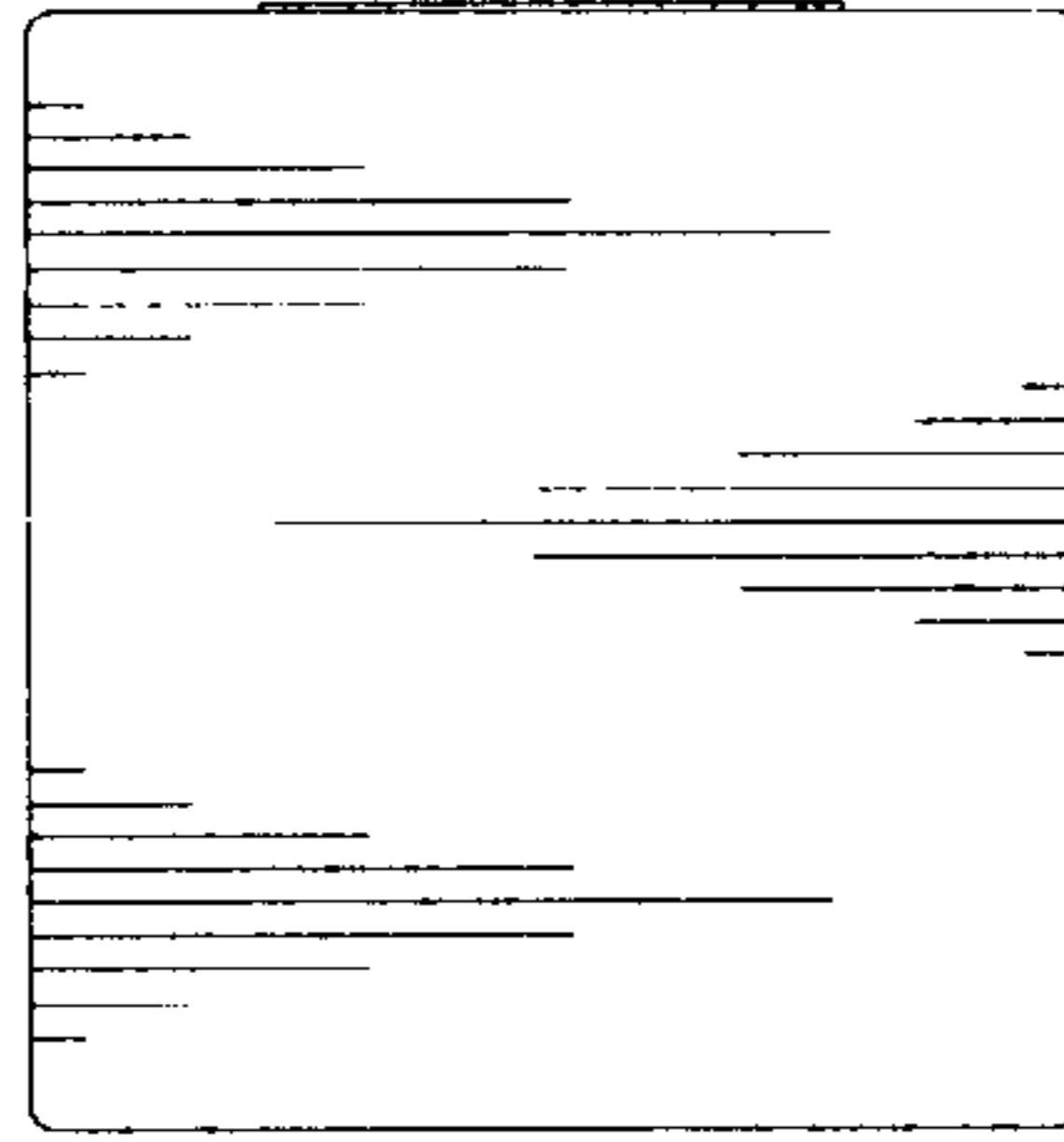


FIG 4

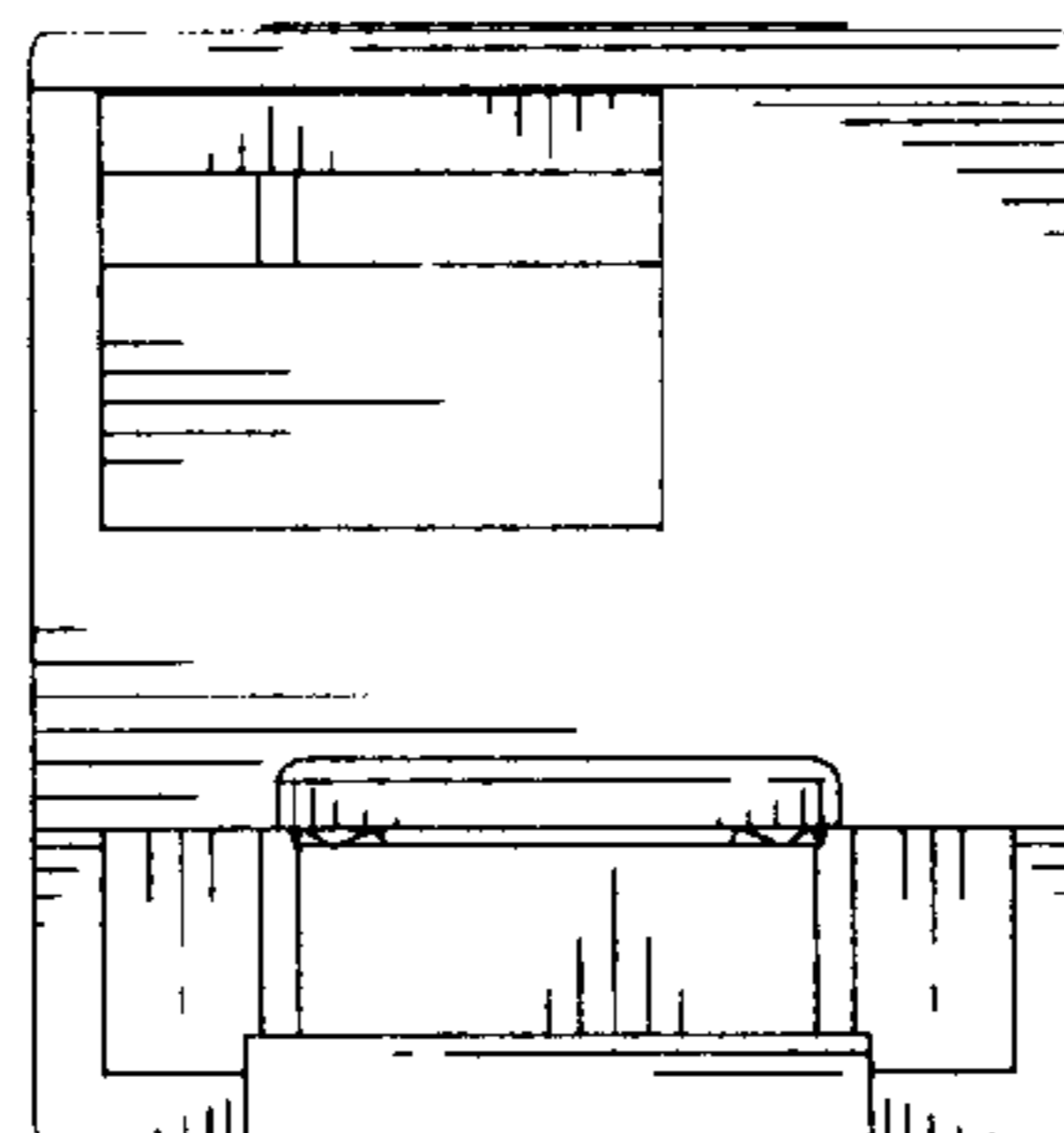


FIG 5

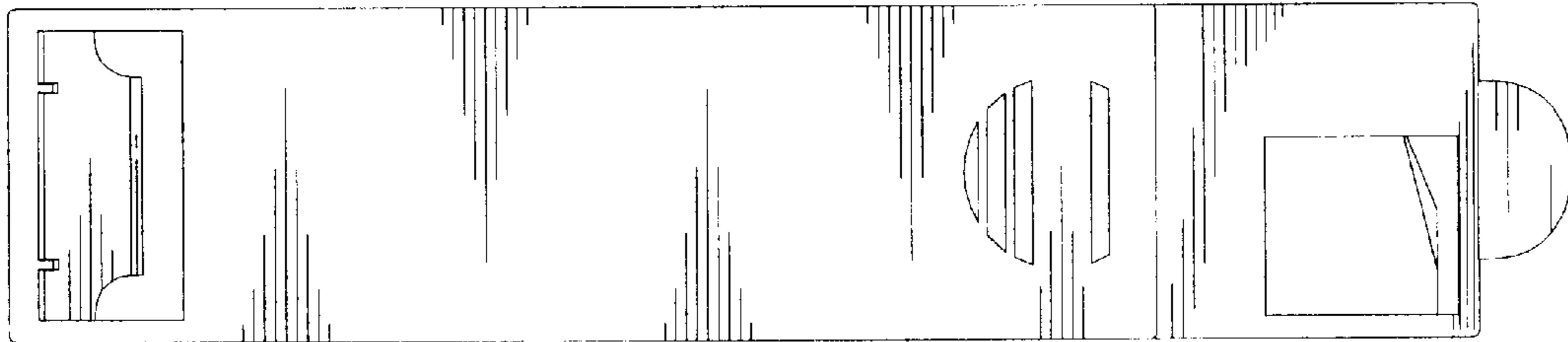


FIG 6

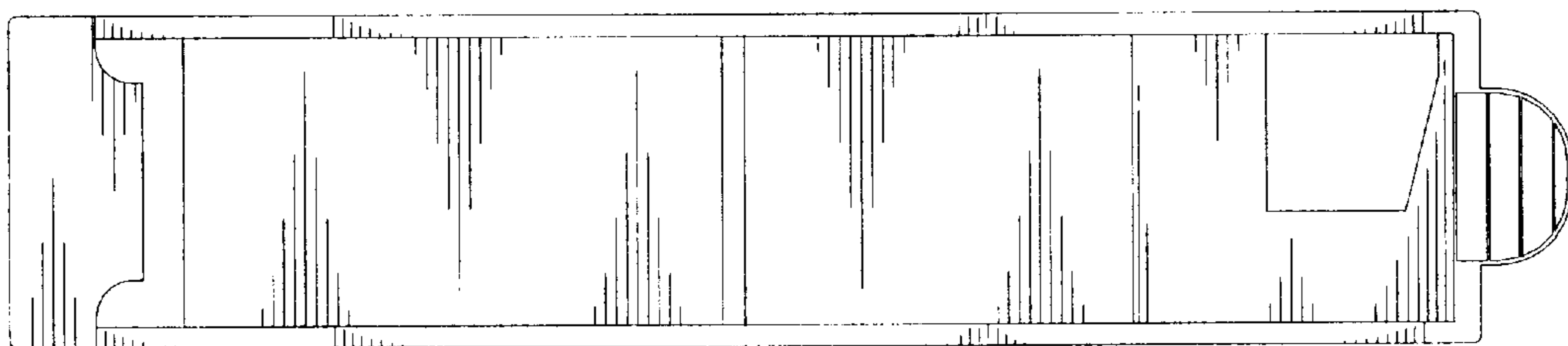


FIG 7

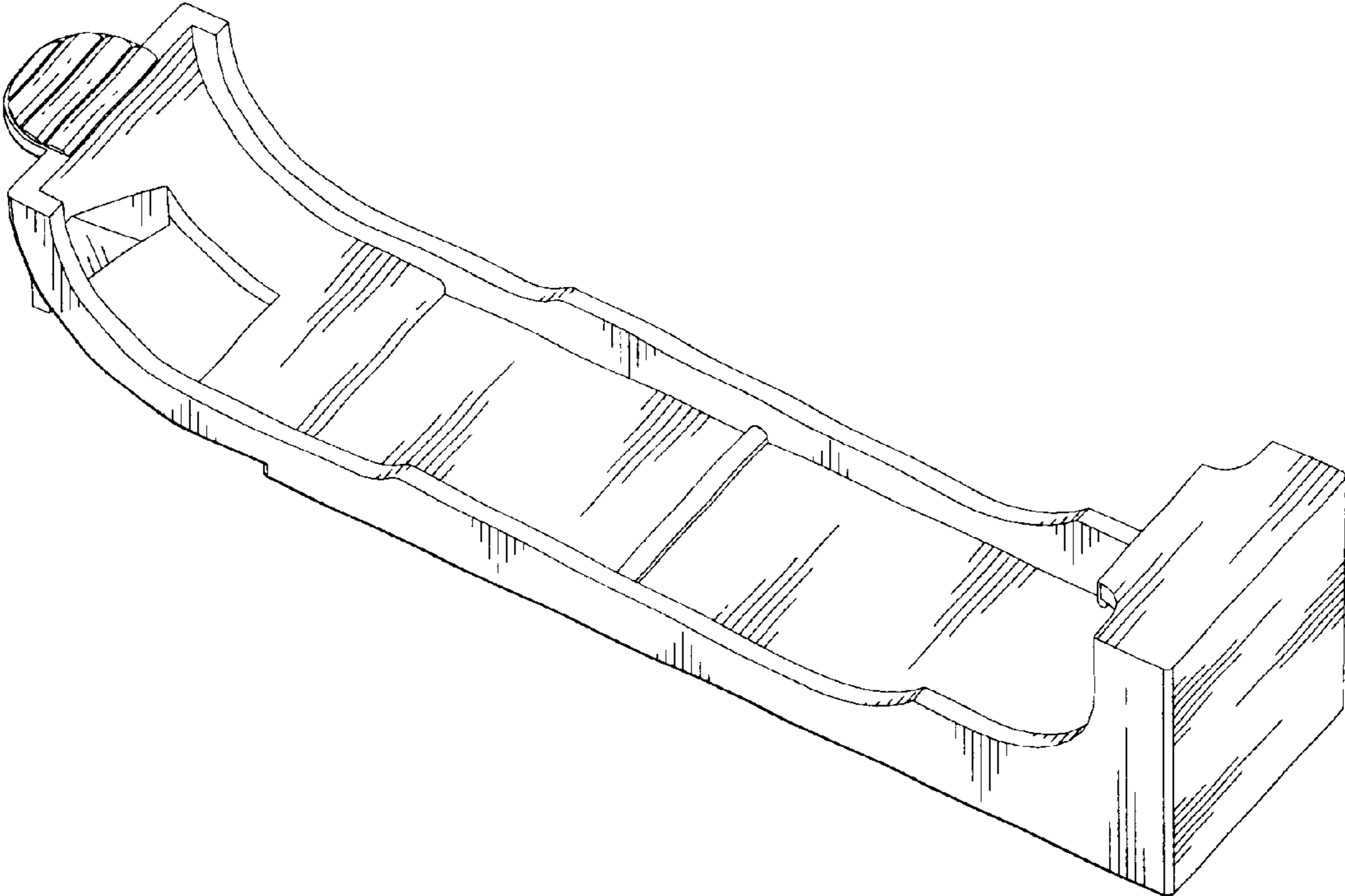


FIG 8