



US00D517599S

(12) **United States Design Patent**
Sasaki et al.

(10) **Patent No.:** **US D517,599 S**
(45) **Date of Patent:** **** Mar. 21, 2006**

(54) **INK CARTRIDGE**

(75) Inventors: **Toyonori Sasaki, Anjo (JP); Shingo Hattori, Tsushima (JP)**

(73) Assignee: **Brother Industries, Ltd., Nagoya (JP)**

(**) Term: **14 Years**

(21) Appl. No.: **29/209,036**

(22) Filed: **Jul. 12, 2004**

(30) **Foreign Application Priority Data**

Feb. 6, 2004 (JP) 2004-003079

(51) **LOC (8) Cl.** **18-02**

(52) **U.S. Cl.** **D18/56; 347/86**

(58) **Field of Classification Search** D18/40,
D18/43, 56; 347/33, 49, 50, 86-87; 399/110
See application file for complete search history.

(56) **References Cited**

U.S. PATENT DOCUMENTS

D391,986 S * 3/1998 Steinmetz et al. D18/56
D422,306 S * 4/2000 Gasvoda et al. D18/56
D432,567 S * 10/2000 Gasvoda et al. D18/56

D440,250 S * 4/2001 Gonzales et al. D18/56
D452,875 S * 1/2002 Carrese et al. D18/56
D453,184 S * 1/2002 Ito et al. D18/56
D461,203 S * 8/2002 Nanjo et al. D18/56
D472,267 S * 3/2003 Shimizu et al. D18/56
6,742,857 B1 * 6/2004 Koshikawa et al. 347/19
6,945,642 B1 * 9/2005 Yamamoto et al. 347/86

* cited by examiner

Primary Examiner—Cathy Anne MacCormac
(74) *Attorney, Agent, or Firm*—Oliff & Berridge, PLC

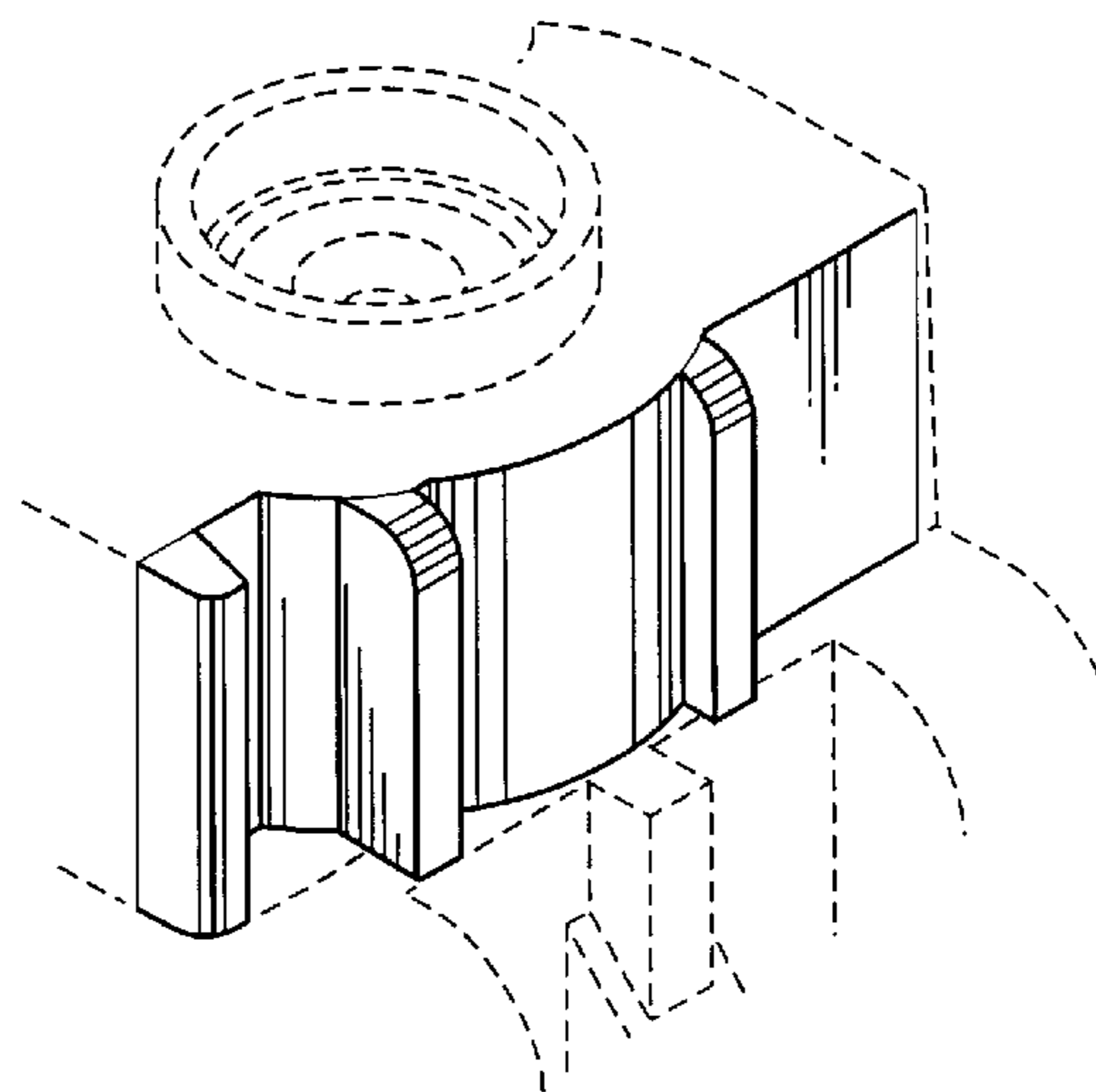
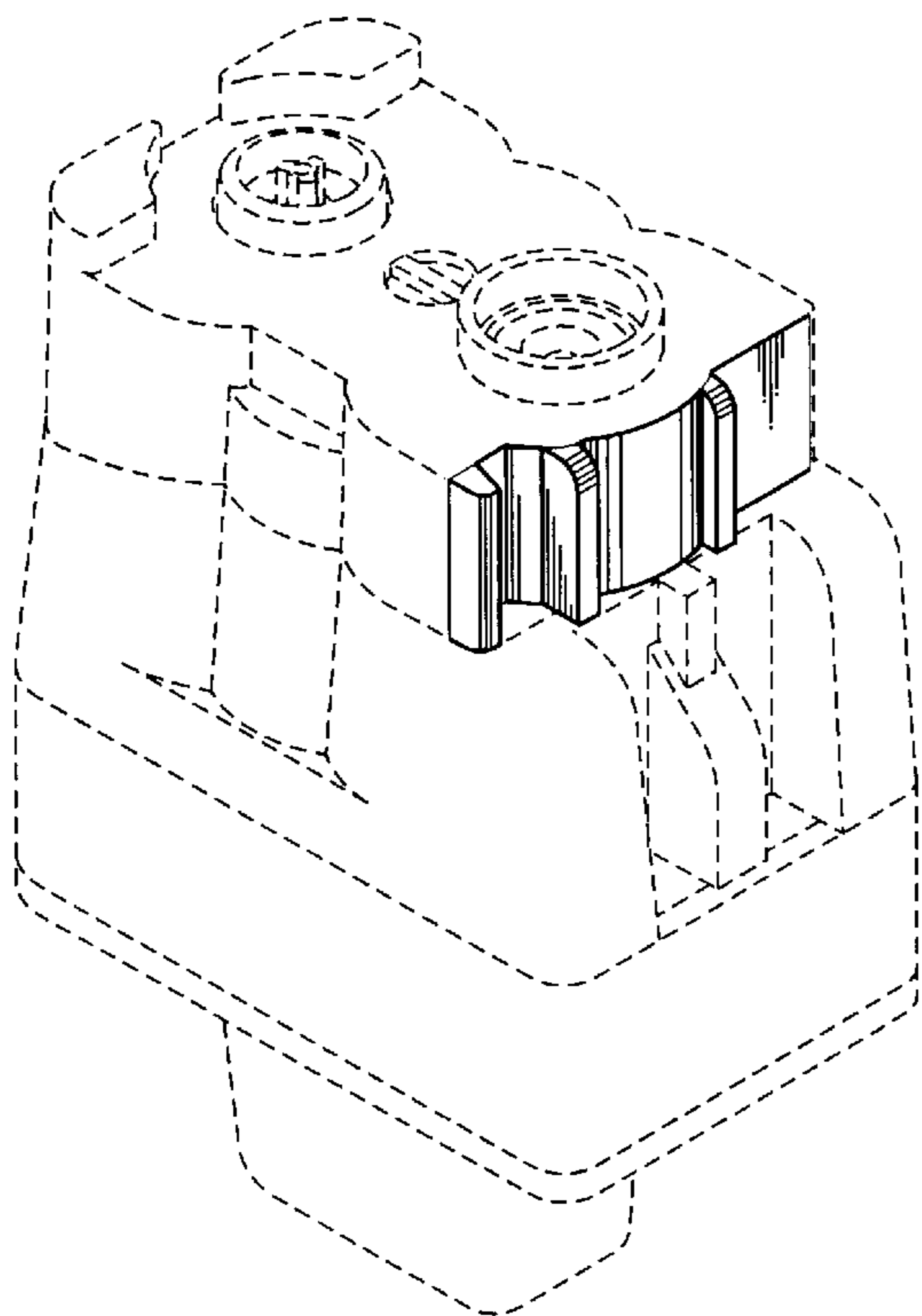
(57) **CLAIM**

The ornamental design for an ink cartridge, as shown and described.

DESCRIPTION

FIG. 1 is a reduced perspective view of an ink cartridge;
FIG. 2 is a partial perspective view thereof;
FIG. 3 is a front view thereof;
FIG. 4 is a top view thereof;
FIG. 5 is a right-side view thereof; and,
FIG. 6 is a rear view thereof.
The broken lines are for illustrative purposes only and do not form part of the claimed design.

1 Claim, 4 Drawing Sheets



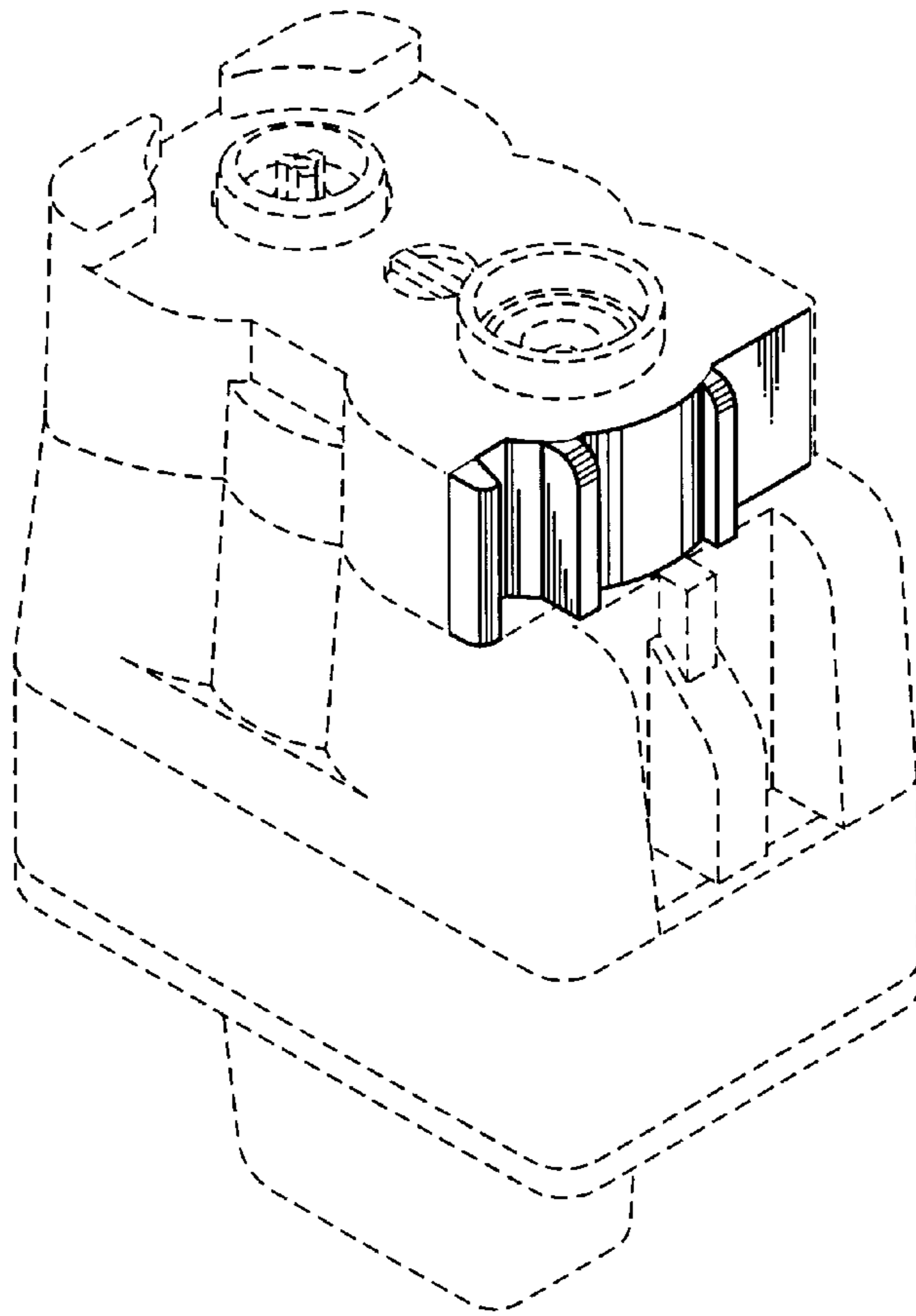


FIG. 1

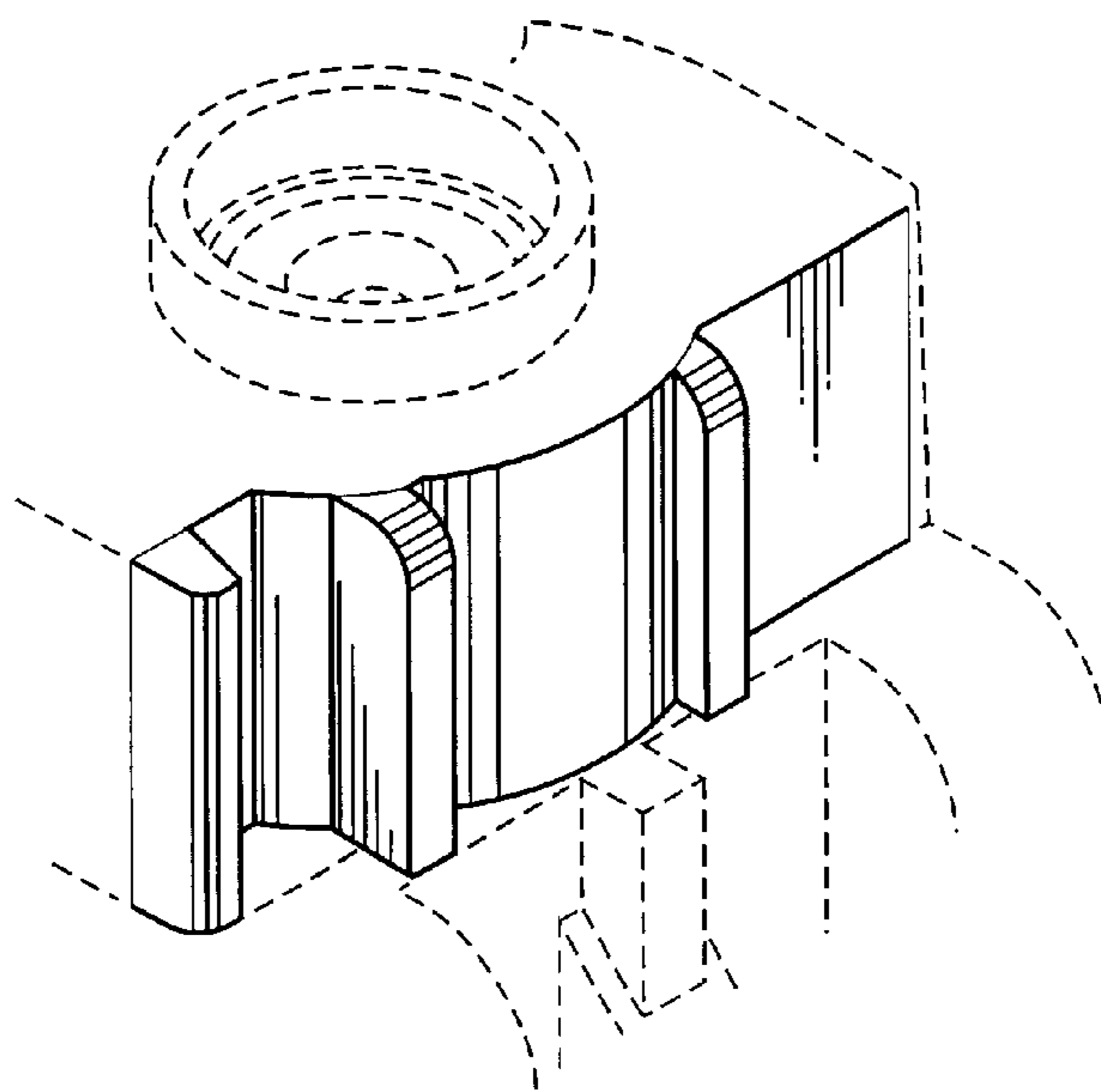


FIG. 2

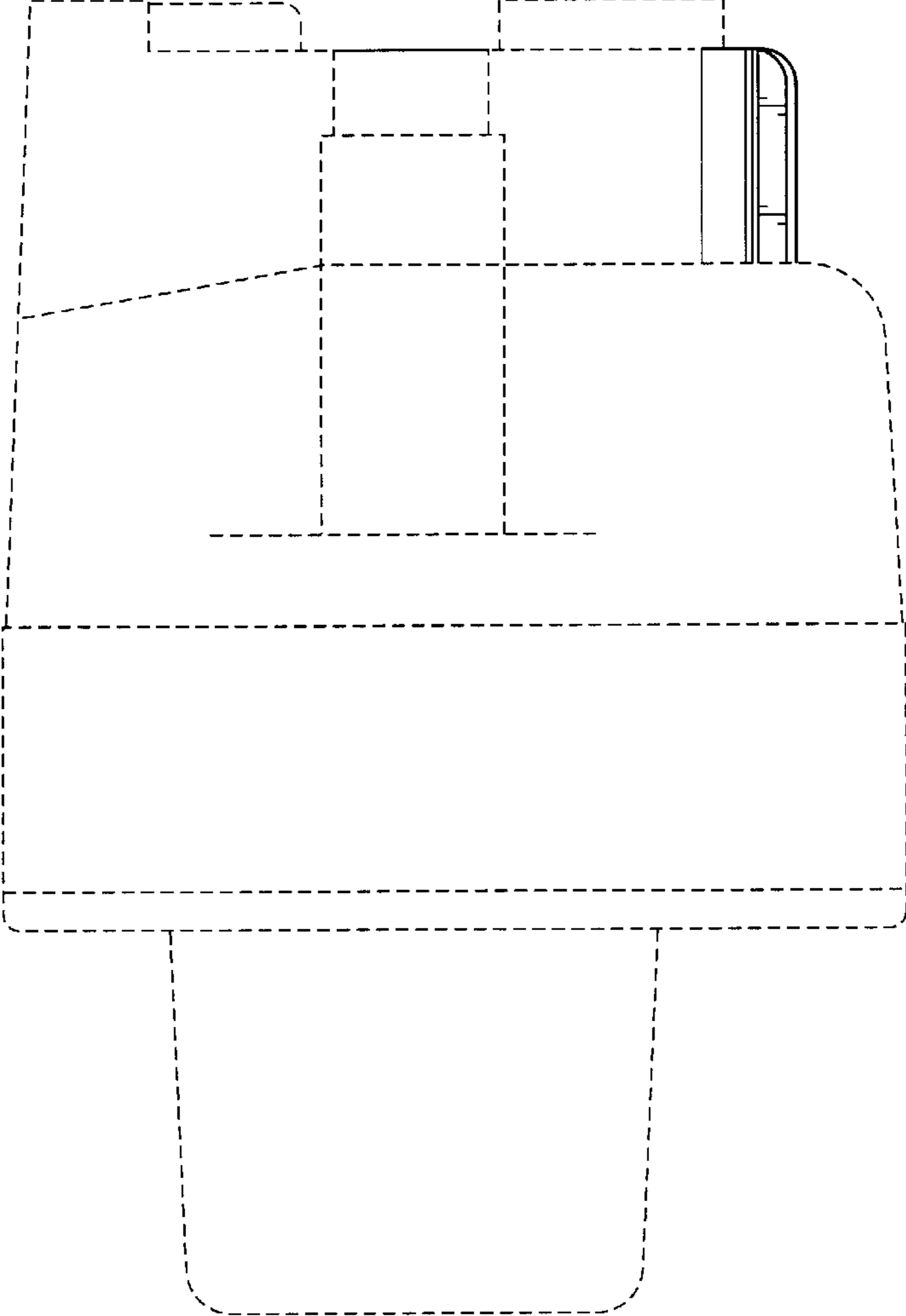


FIG. 3

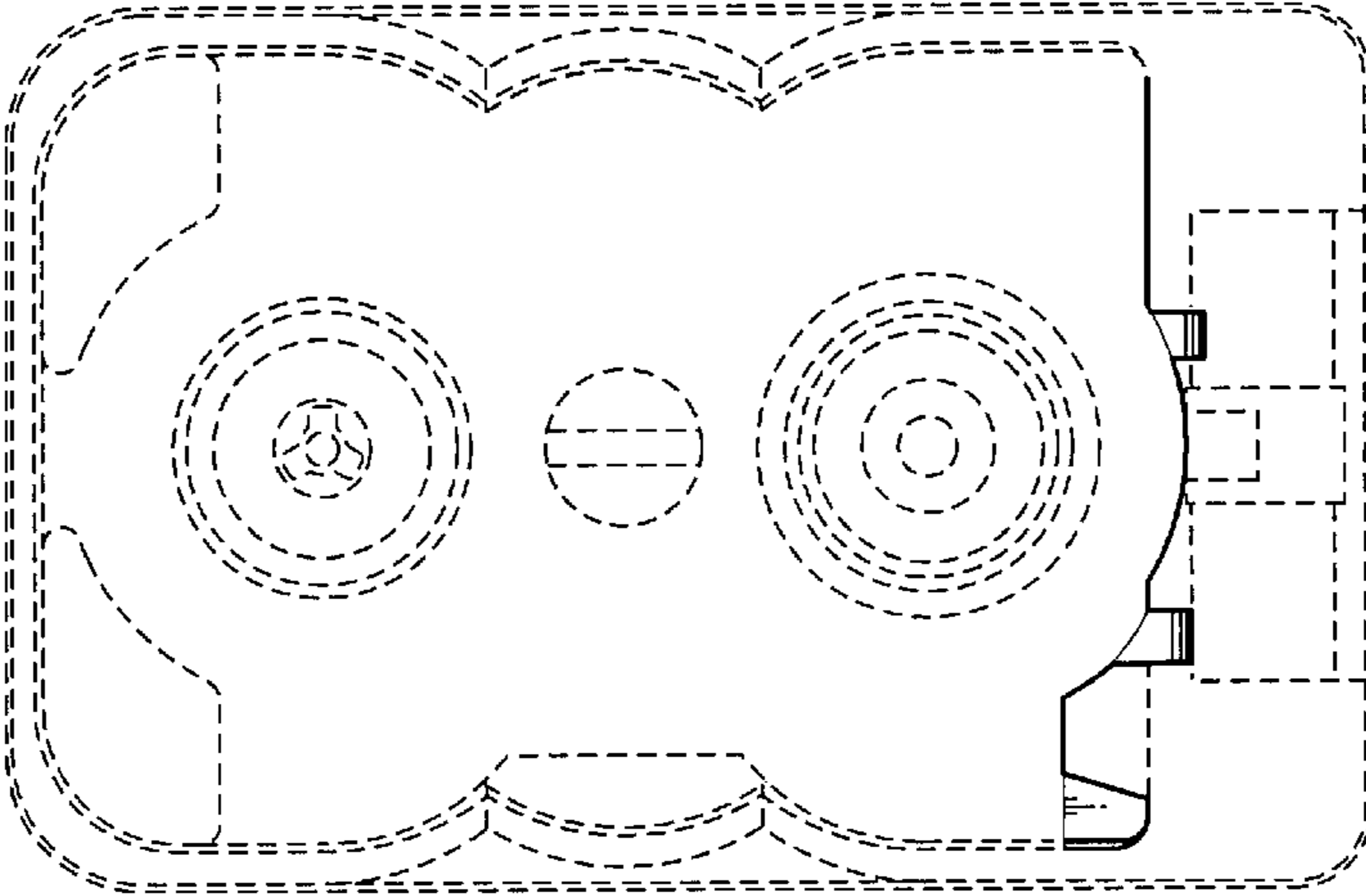


FIG. 4

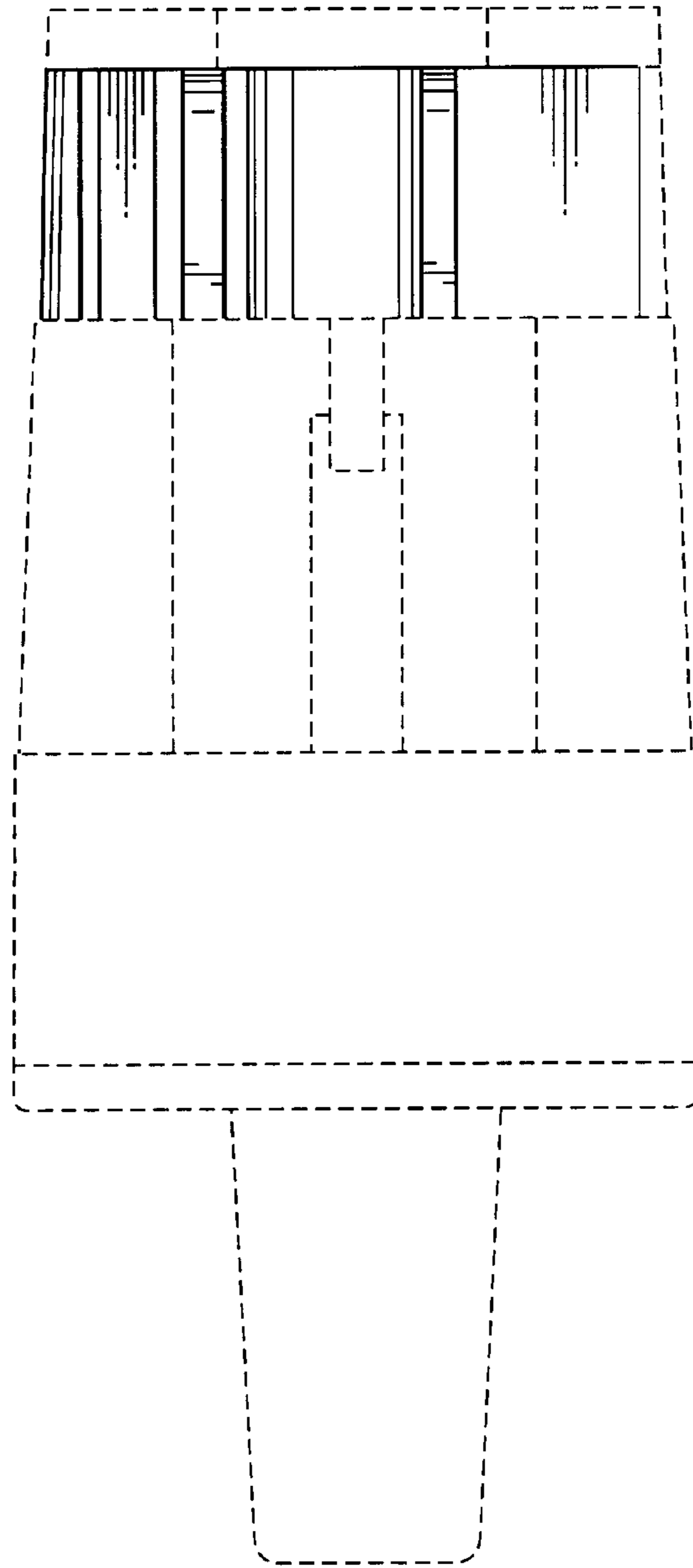


FIG. 5

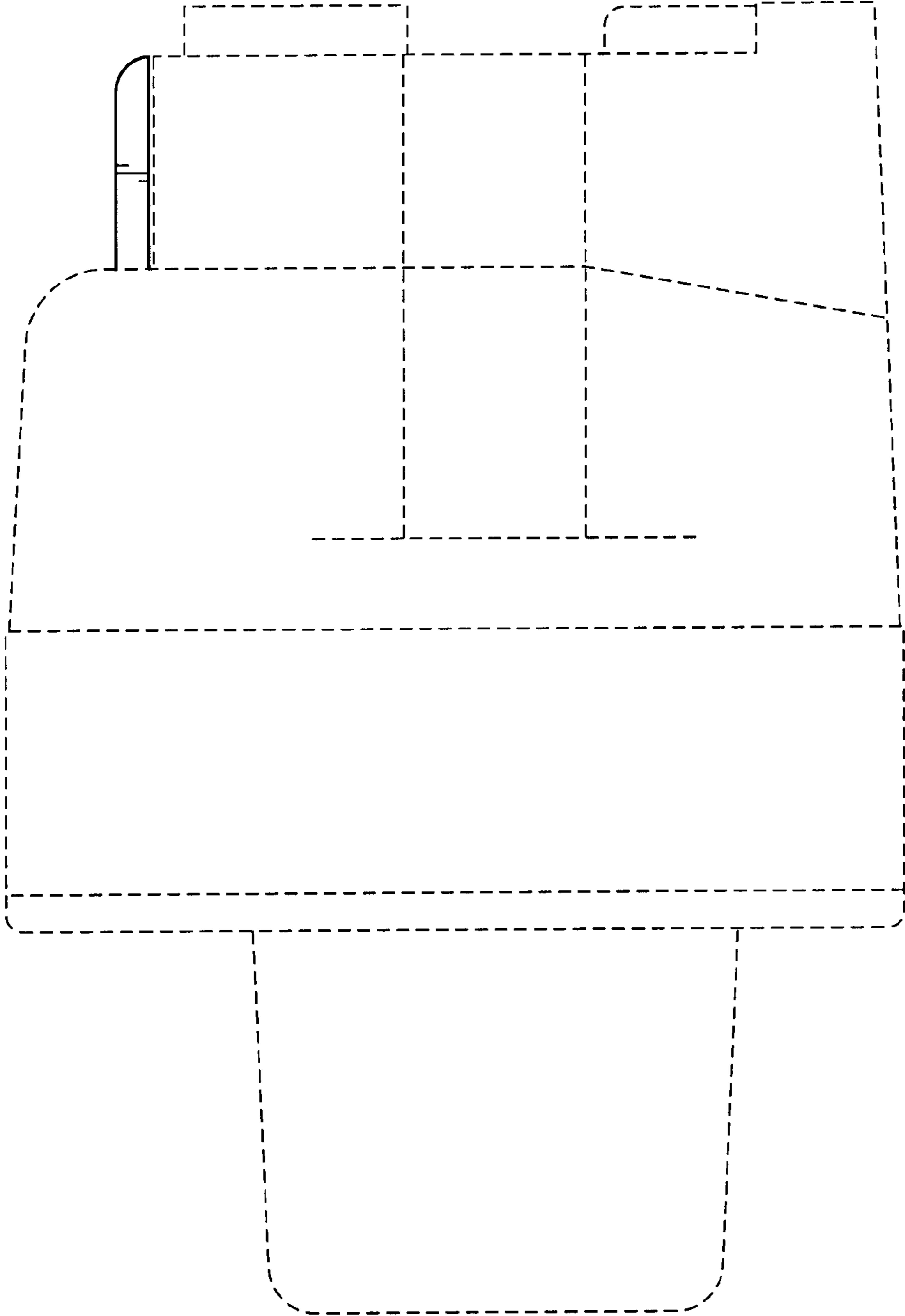


FIG. 6