



US00D517597S

(12) **United States Design Patent**
Andoh

(10) **Patent No.:** **US D517,597 S**
(45) **Date of Patent:** **** Mar. 21, 2006**

(54) **CARTRIDGE**

D500,681 S * 1/2005 Uchiyama D9/560
D501,138 S * 1/2005 Uchiyama D9/439

(75) Inventor: **Kikuo Andoh**, Odawara (JP)

* cited by examiner

(73) Assignee: **Fuji Photo Film Co., Ltd.**,
Minamiashigara (JP)

Primary Examiner—Cathy Anne MacCormac
(74) *Attorney, Agent, or Firm*—Oliff & Berridge, PLC

(**) Term: **14 Years**

(57) **CLAIM**

(21) Appl. No.: **29/196,668**

The ornamental design for a cartridge, as shown and described.

(22) Filed: **Jan. 5, 2004**

(30) **Foreign Application Priority Data**

DESCRIPTION

Jul. 7, 2003 (JP) 2003-019494

The nature of this product is a cartridge comprising a cardboard cartridge box containing three (3) replenisher containers in a row for replenishing processing solution to an automatic processor. The cartridge is flipped upside down and inserted into an automatic processor, allowing one-step exchange of the cartridge. The cartridge supplies the solution, is used, and removed as is.

(51) **LOC (8) Cl.** **18-02**

(52) **U.S. Cl.** **D18/56**

(58) **Field of Classification Search** D18/40,
D18/43, 56; 347/86, 87; D9/560

See application file for complete search history.

FIG. 1 is a perspective view of the cartridge.

(56) **References Cited**

FIG. 2 is a front view of the cartridge, the rear view being a mirror image.

U.S. PATENT DOCUMENTS

FIG. 3 is a left side view of the cartridge.

D237,583 S * 11/1975 Kemp D9/684

FIG. 4 is a right side view of the cartridge.

D290,225 S * 6/1987 Carlson D9/521

FIG. 5 is a top view of the cartridge; and,

D292,267 S * 10/1987 Costa D9/747

FIG. 6 is a bottom view of the cartridge.

5,022,547 A * 6/1991 Spangler et al. 220/23.4

The dashed lines in the perspective view of the cartridge illustrate the shapes of the three-dimensional surfaces of the article.

6,183,075 B1 * 2/2001 Sasaki 347/86

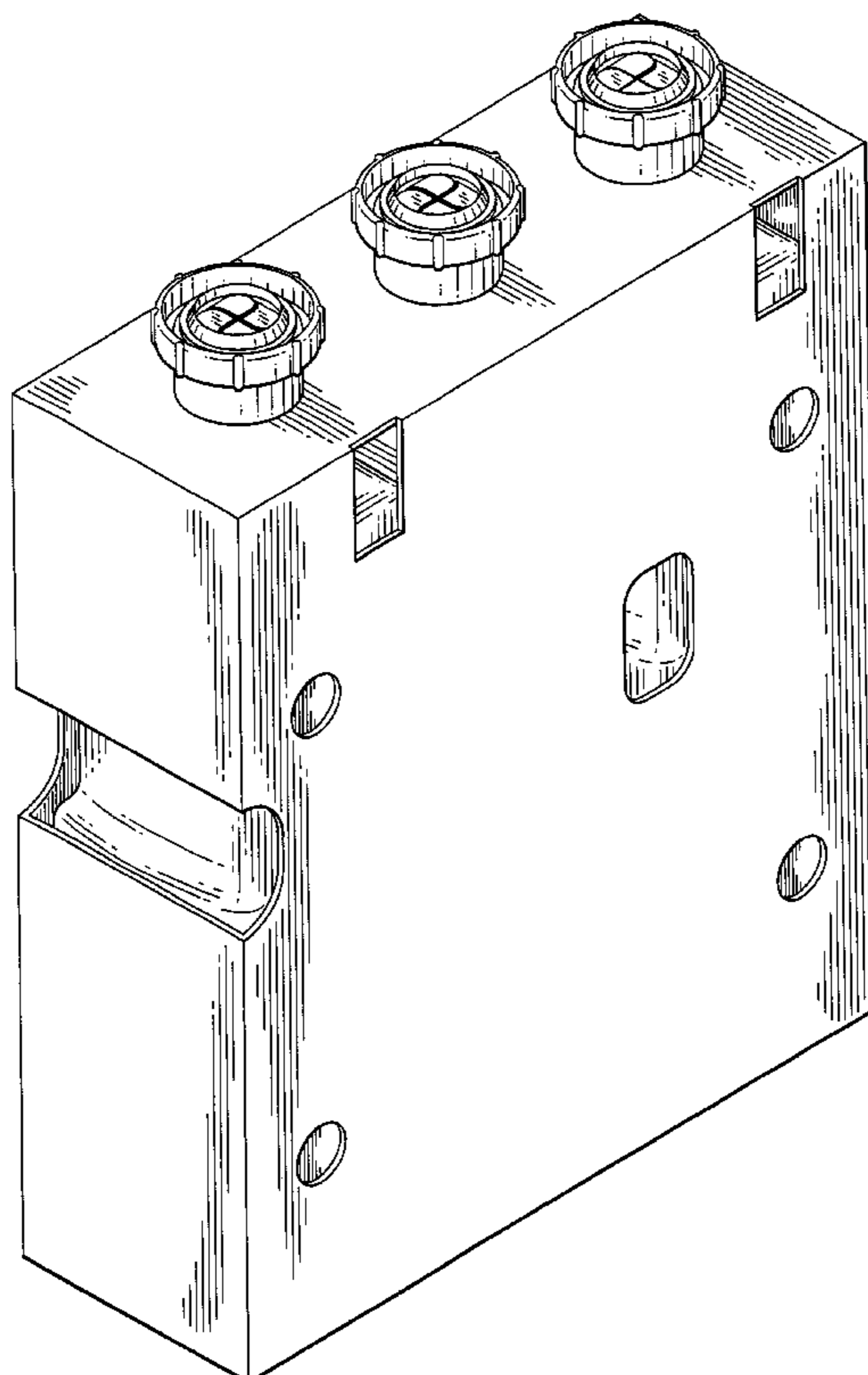
6,216,942 B1 * 4/2001 Kittscher 229/4.5

D475,296 S * 6/2003 Lee D9/560

6,698,872 B1 * 3/2004 Hou et al. 347/86

D494,851 S * 8/2004 Uchiyama D18/43

1 Claim, 4 Drawing Sheets



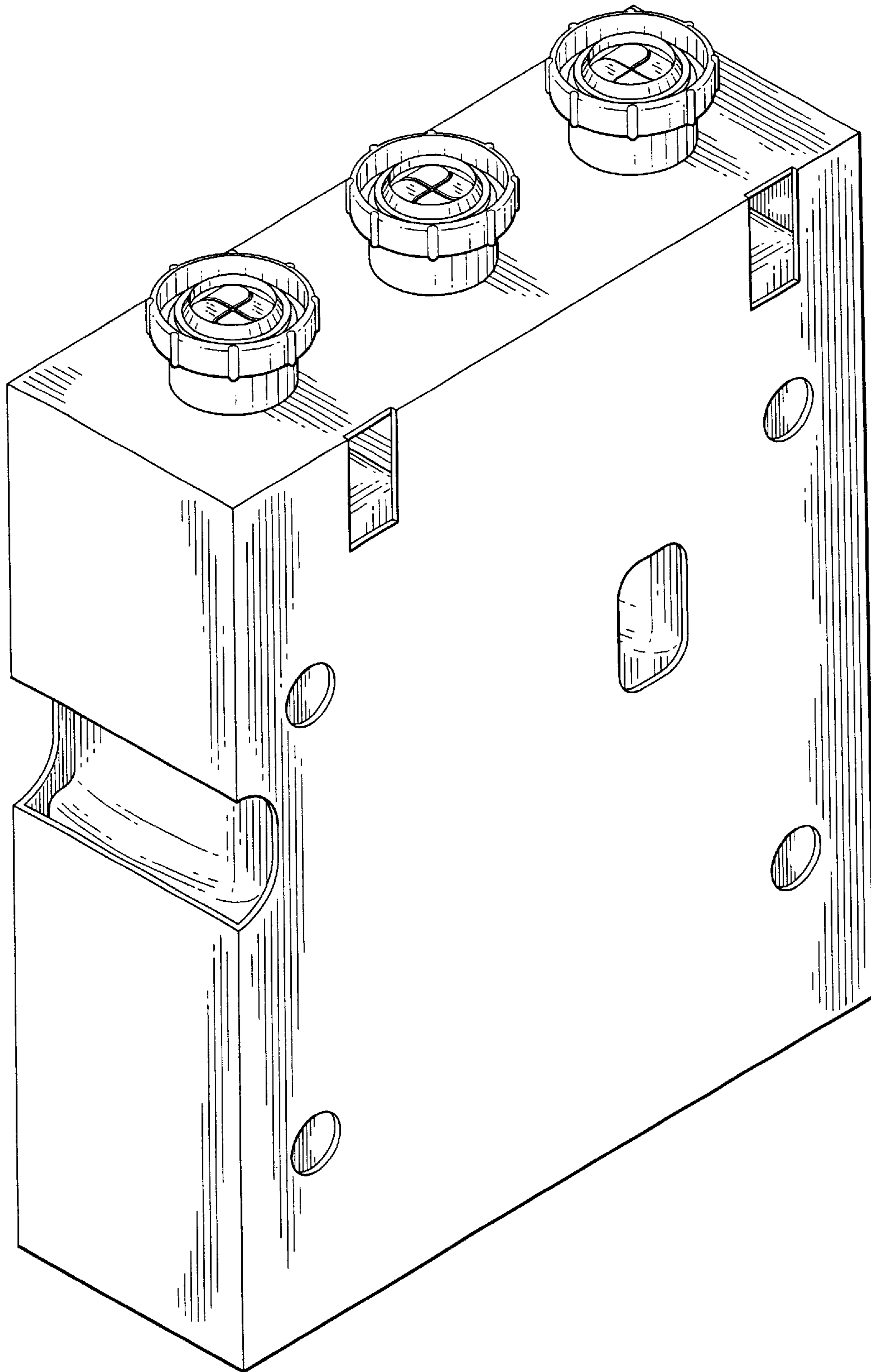


FIG. 1

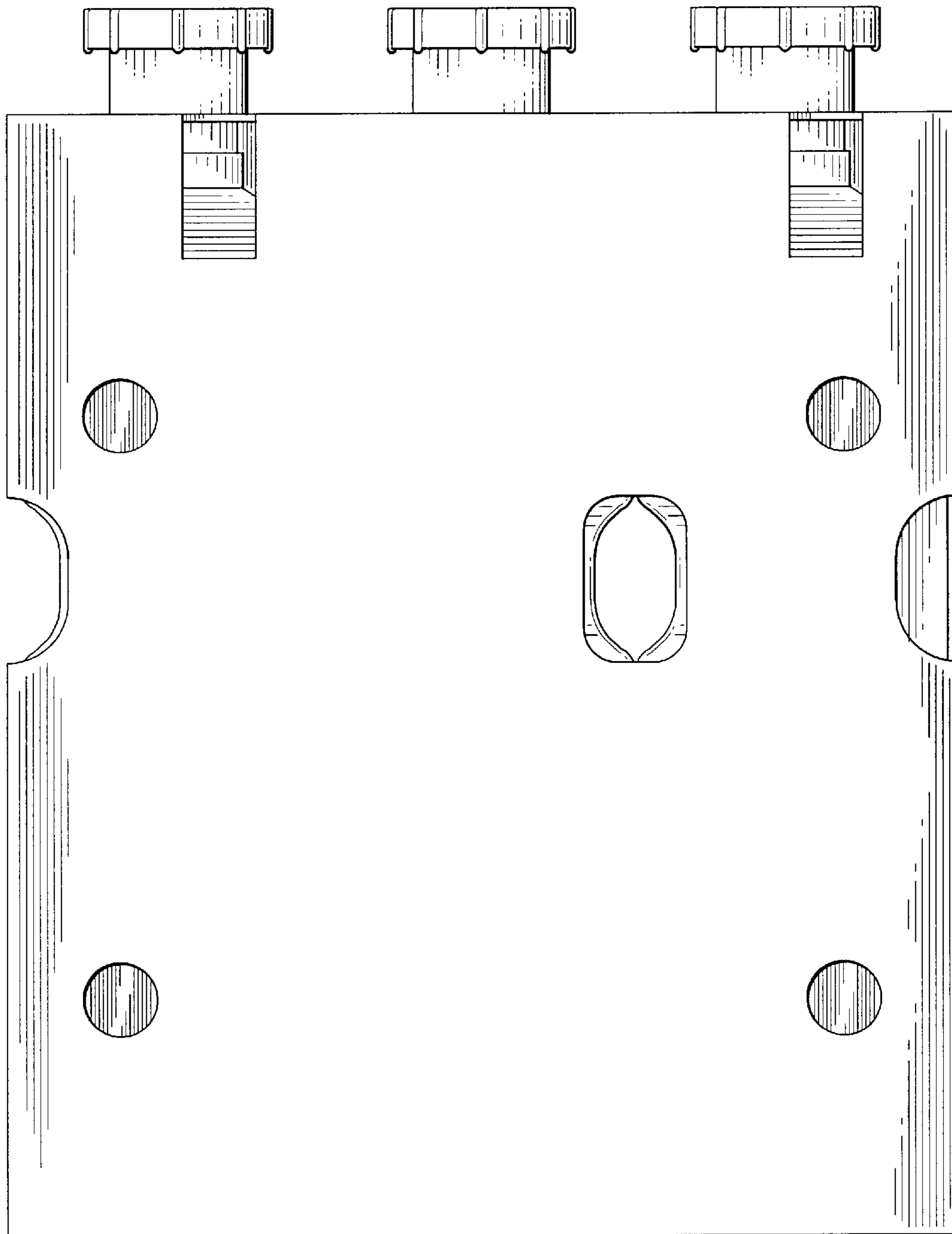


FIG. 2

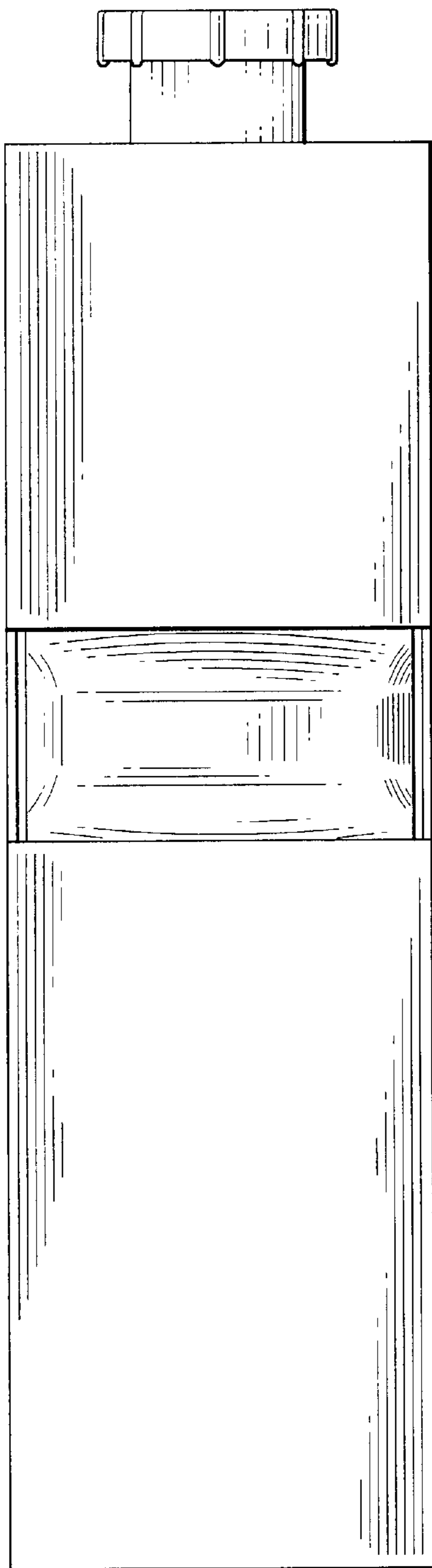


FIG. 3

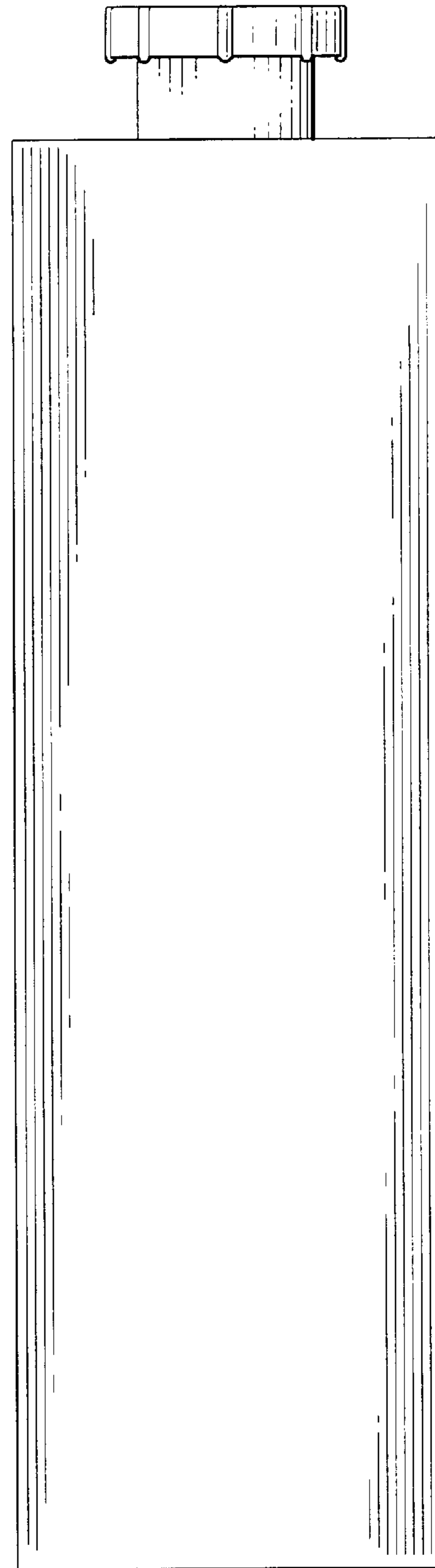


FIG. 4

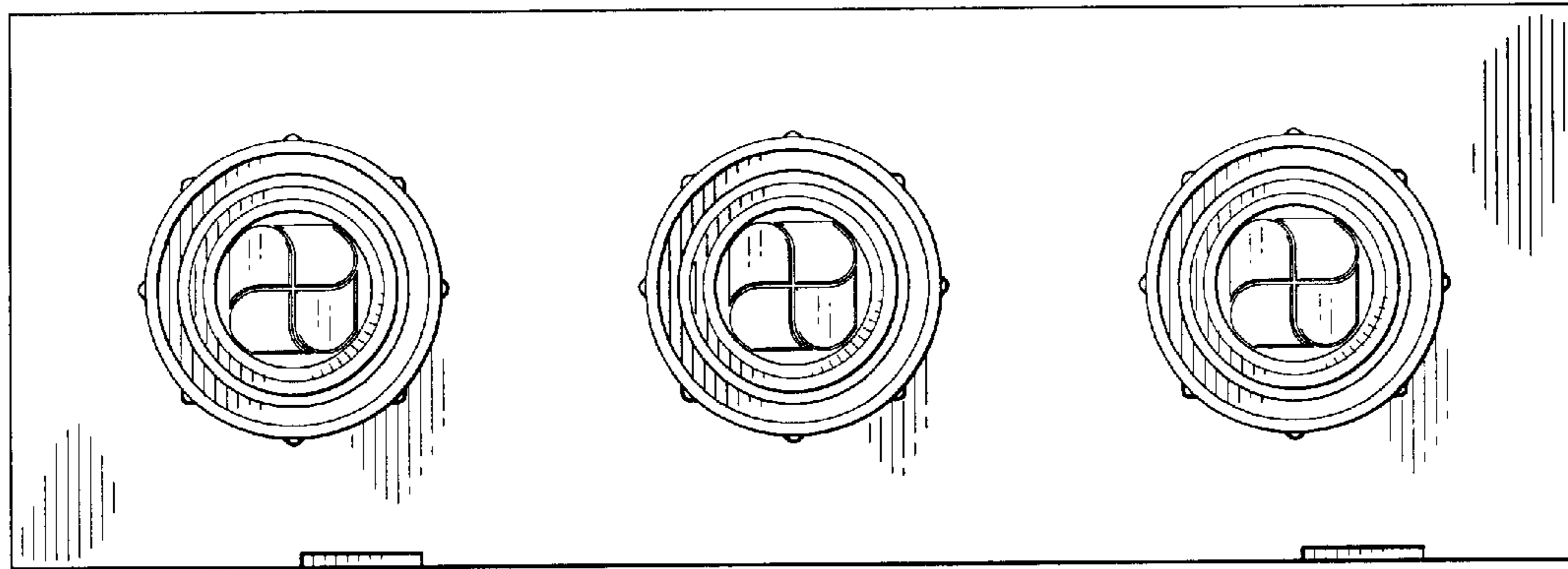


FIG. 5

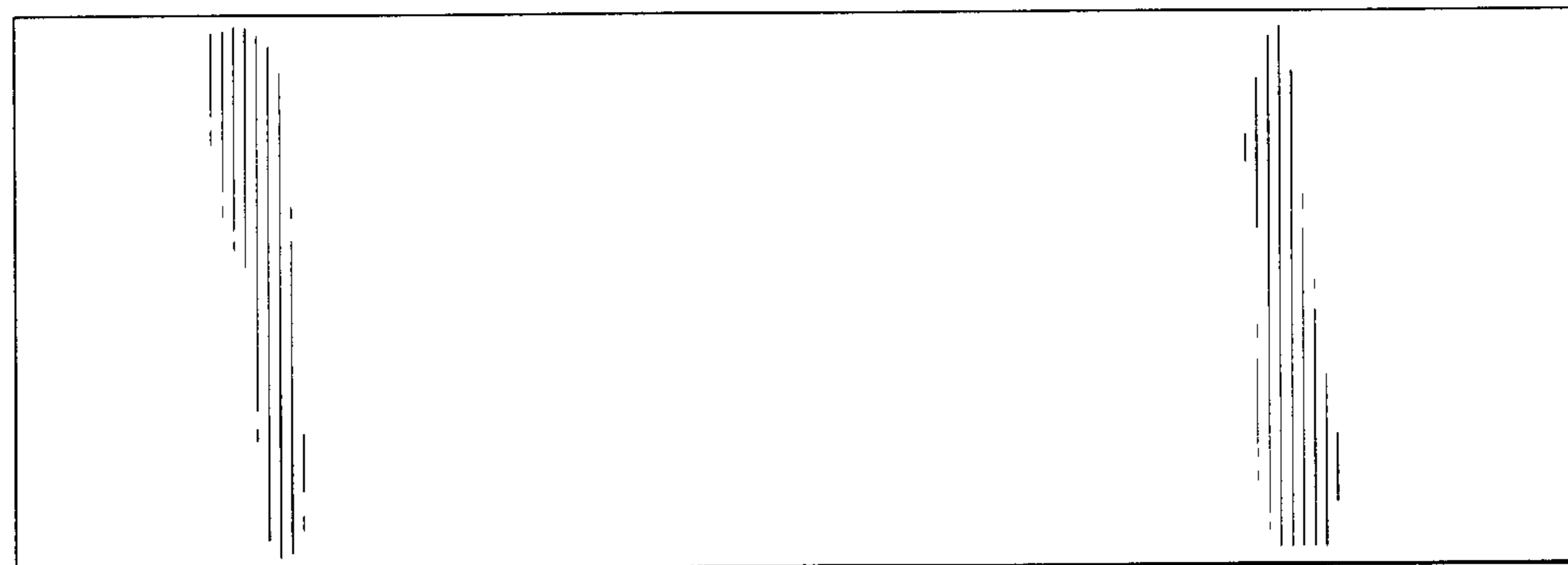


FIG. 6