



US00D517589S

(12) **United States Design Patent**
Muto et al.

(10) **Patent No.: US D517,589 S**
(45) **Date of Patent: ** Mar. 21, 2006**

(54) **SURVEILLANCE CAMERA CONTROLLER**

D503,928 S * 4/2005 Obata D13/164

(75) Inventors: **Kanji Muto**, Chigasaki (JP); **Yoshihiko Asai**, Tokyo (JP)

FOREIGN PATENT DOCUMENTS

(73) Assignee: **Matsushita Electric Industrial Co., Ltd.**, Osaka (JP)

JP	D1074189	6/2000
JP	D1103516	3/2001
JP	D1104206	3/2001
JP	D1120257	9/2001
JP	D1189777	11/2003

(**) Term: **14 Years**

* cited by examiner

(21) Appl. No.: **29/205,721**

Primary Examiner—Adir Aronovich

(22) Filed: **May 19, 2004**

(74) *Attorney, Agent, or Firm*—Brinks Hofer Gilson & Lione

(30) **Foreign Application Priority Data**

(57) **CLAIM**

Jan. 7, 2004 (JP) 2004-000158

We claim the ornamental design for a surveillance camera controller, as shown and described.

(51) **LOC (8) Cl.** **16-05**

DESCRIPTION

(52) **U.S. Cl.** **D16/237**; D13/168; D14/412; D14/413

(58) **Field of Classification Search** D13/162, D13/164, 168; D14/412, 413, 415, 454; D16/237; 348/143, 373, 374, 375; 396/57, 300, 427; 463/38

FIG. 1 is a top perspective view of a surveillance camera controller of the present invention; FIG. 2 is a top view thereof; FIG. 3 is a bottom view thereof; FIG. 4 is a right side view thereof, wherein the left side view is a mirror image thereof; FIG. 5 is a front view thereof; and, FIG. 6 is a rear view thereof.

See application file for complete search history.

The ornamental design which is claimed is shown in solid lines in the drawings. Any broken lines in the drawings are for illustrative purposes only and form no part of the claimed design.

(56) **References Cited**

U.S. PATENT DOCUMENTS

4,469,330	A	*	9/1984	Asher	463/38
D301,234	S	*	5/1989	Boyer et al.	D14/413
5,430,511	A	*	7/1995	Paff et al.	396/427
5,558,329	A	*	9/1996	Liu	463/38
D421,038	S	*	2/2000	Hisatsune	D16/237

1 Claim, 5 Drawing Sheets

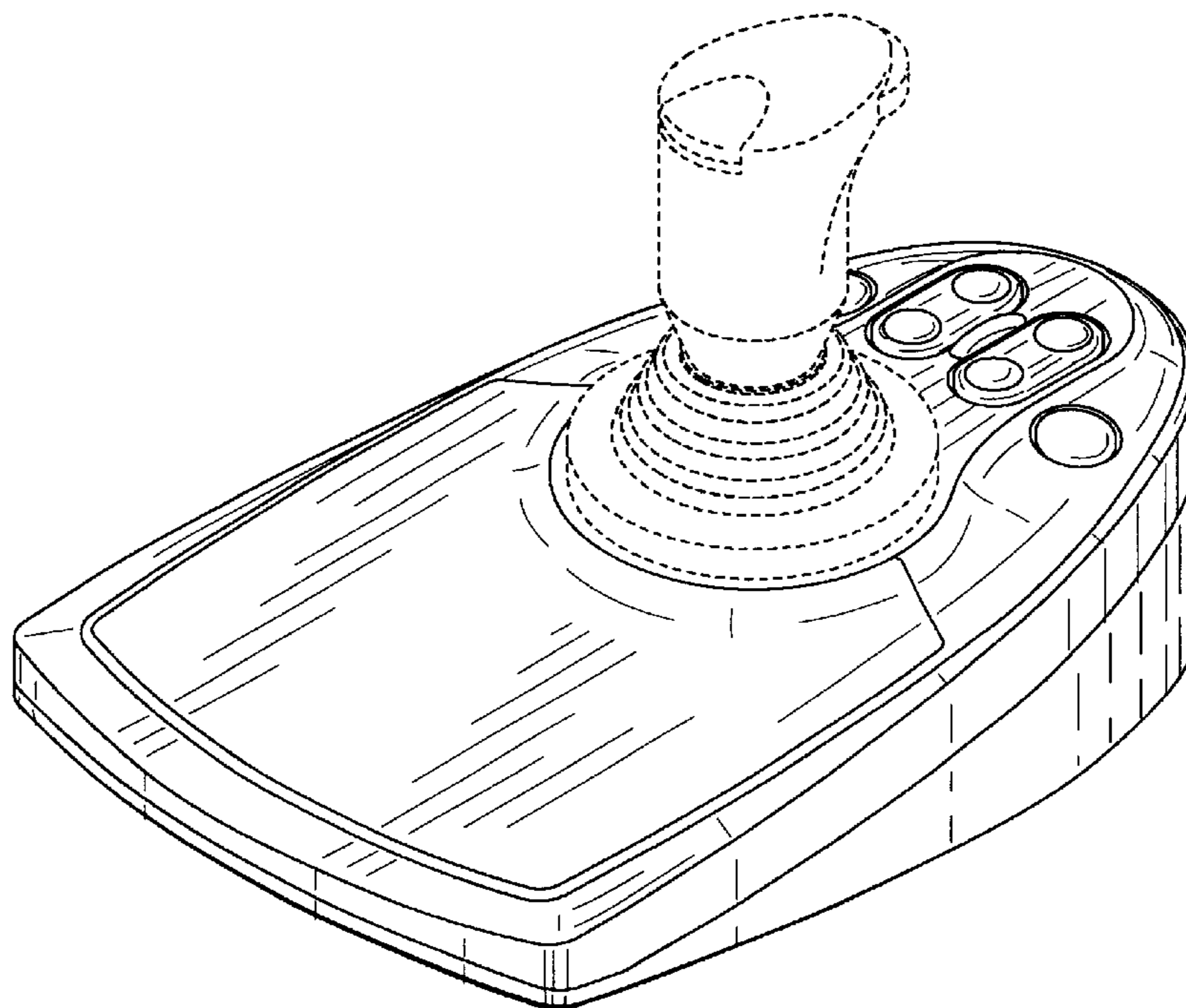


FIG. 1

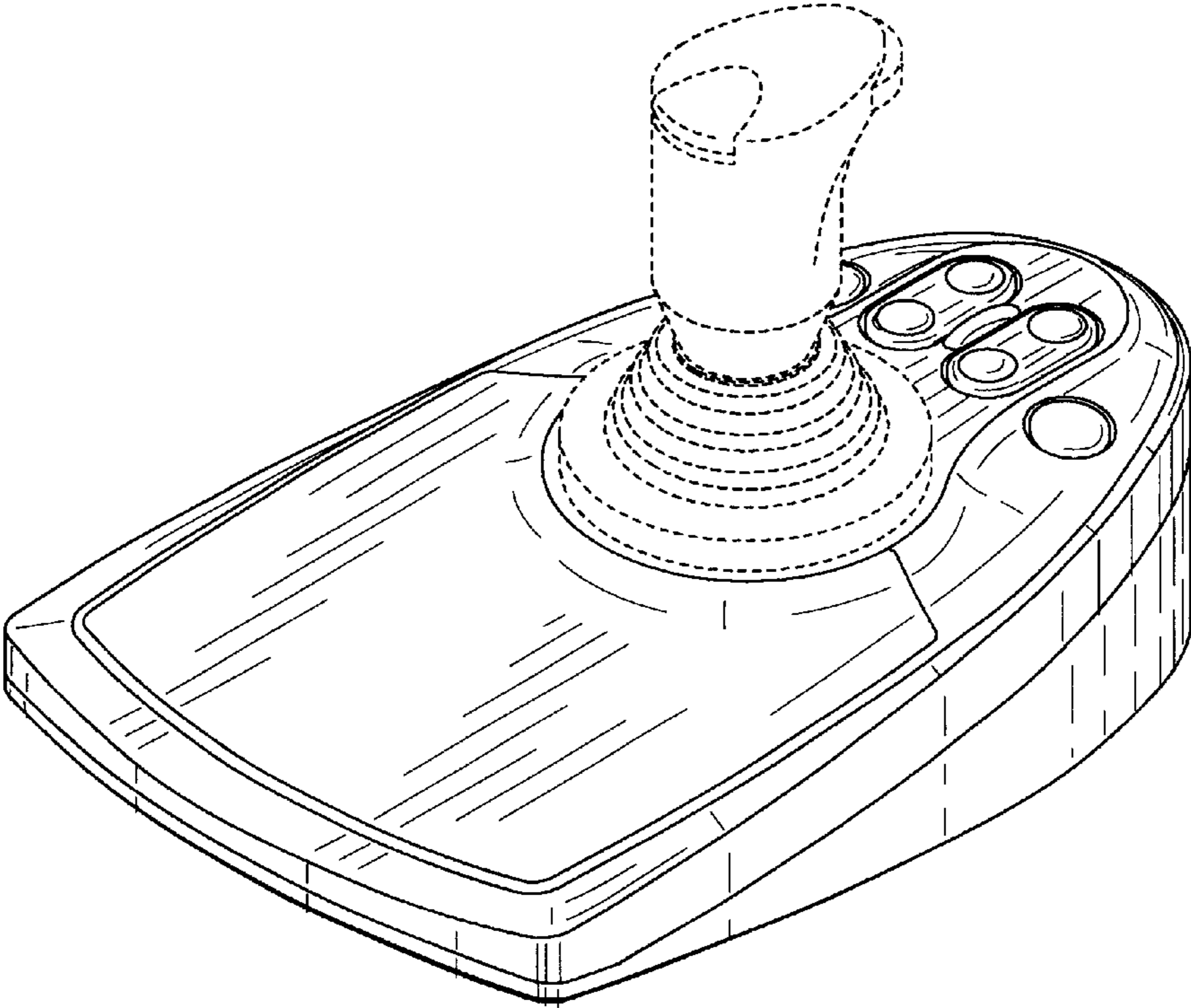


FIG.2

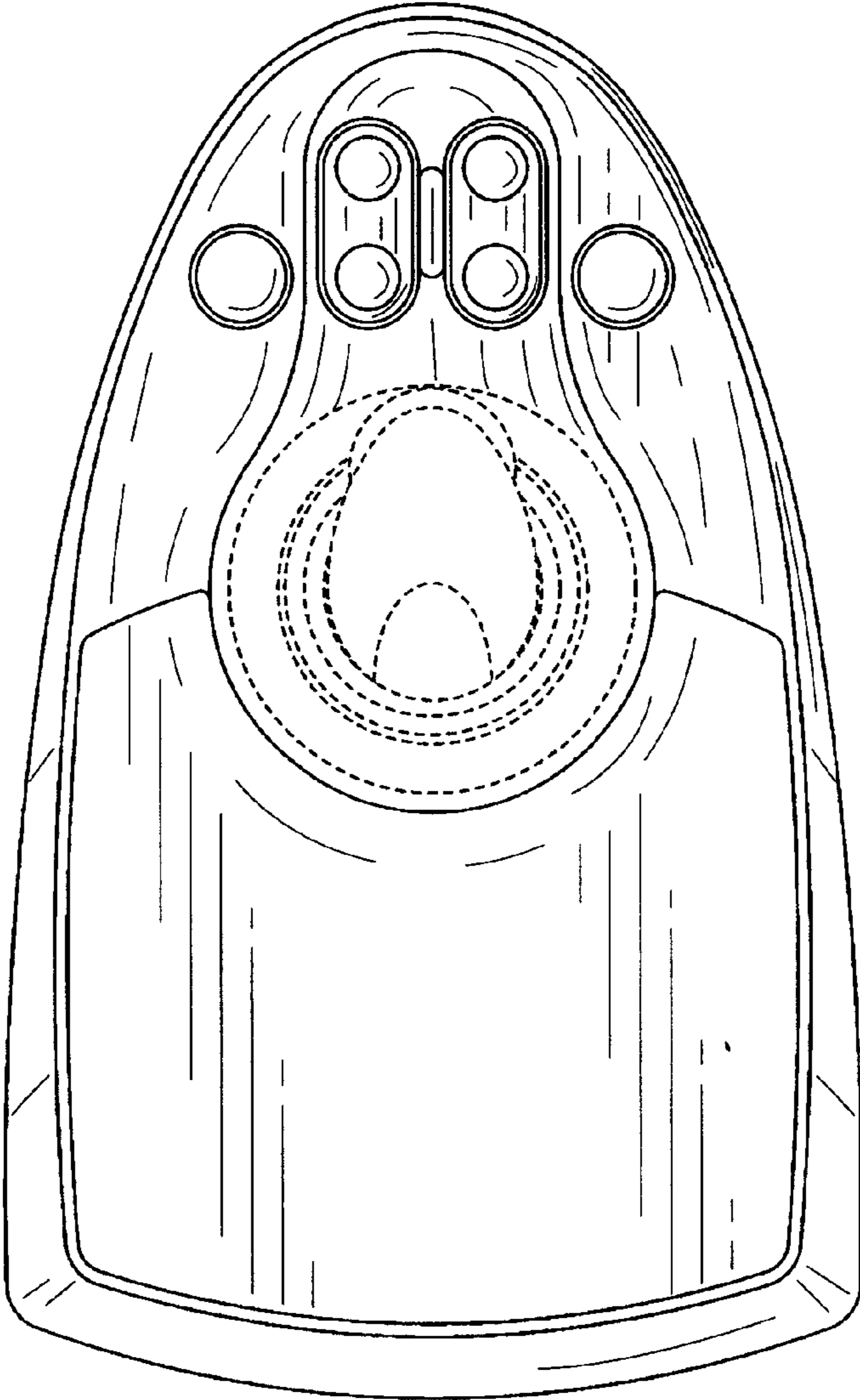


FIG.3

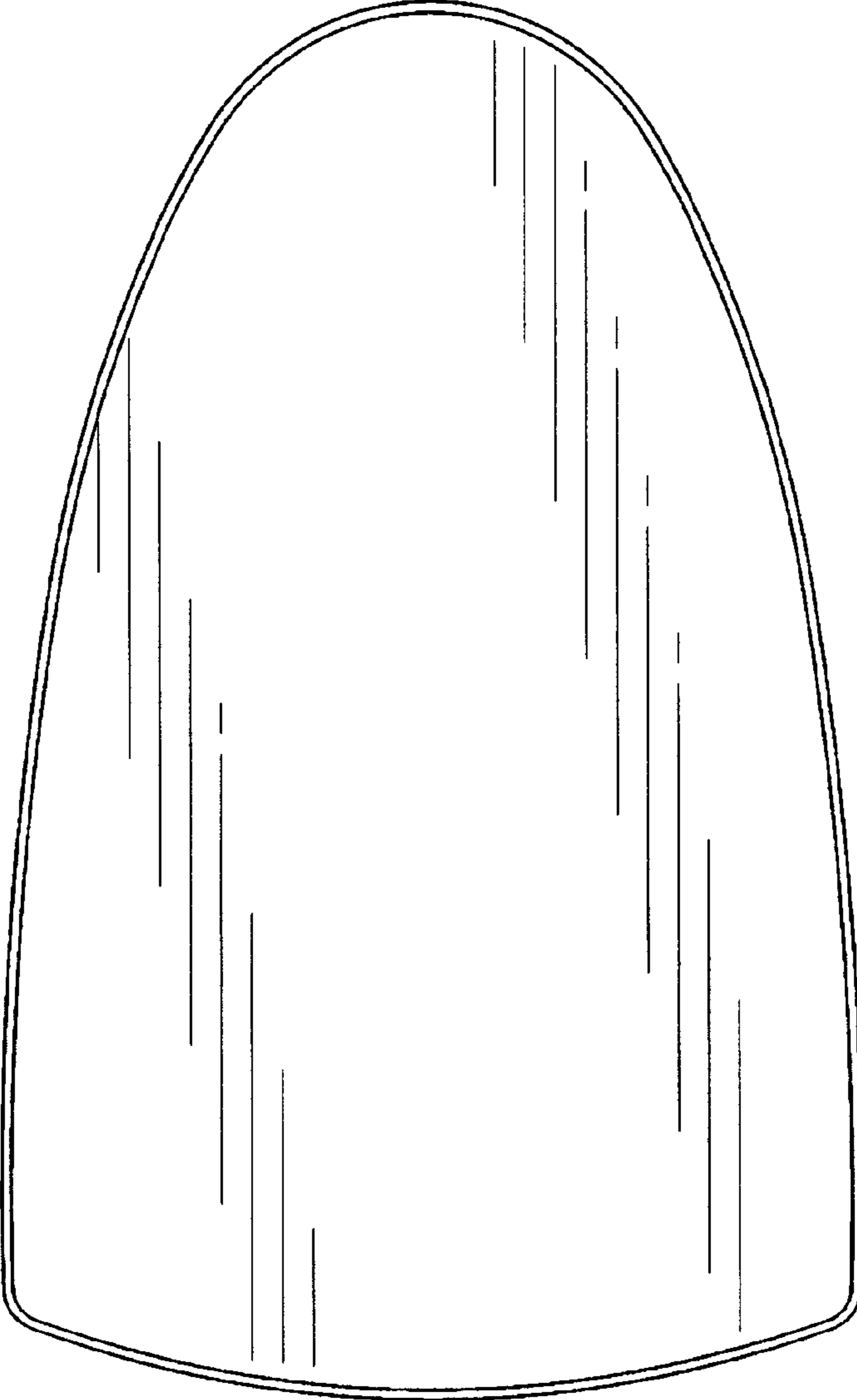


FIG.4

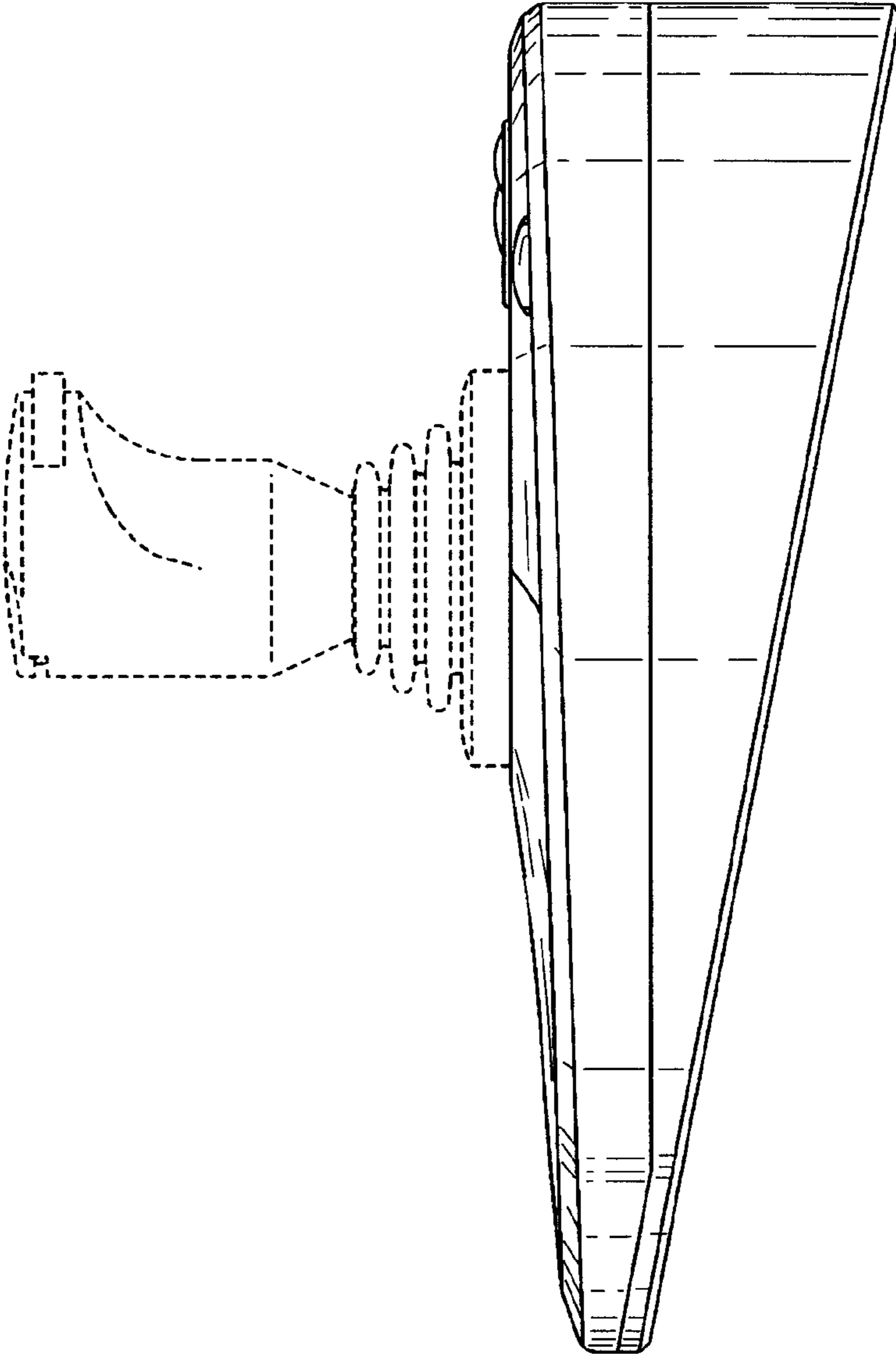


FIG.5

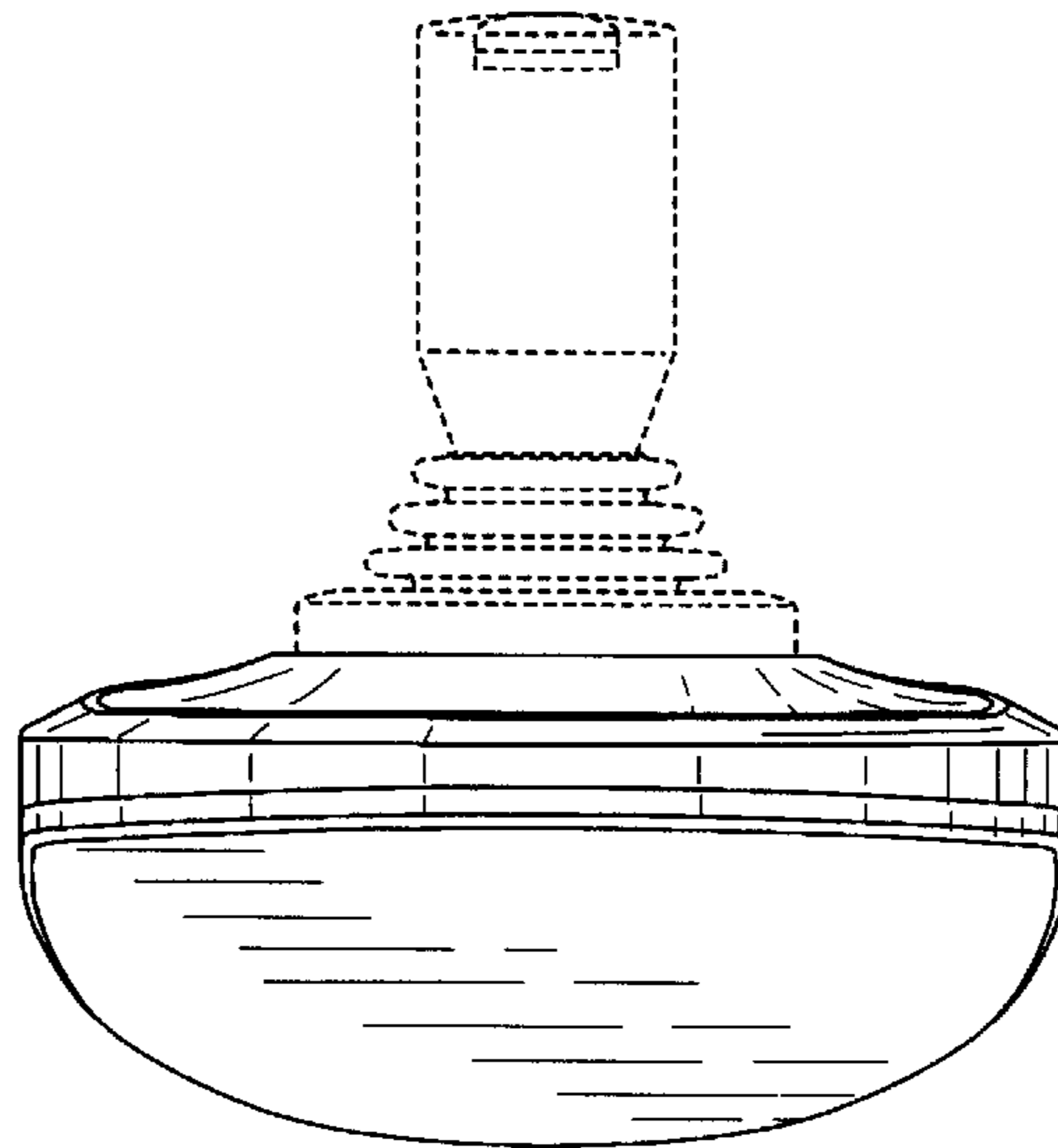


FIG.6

