



US00D517587S

(12) **United States Design Patent**  
**Eroma et al.**

(10) **Patent No.:** **US D517,587 S**  
(45) **Date of Patent:** **\*\* Mar. 21, 2006**

(54) **CAMERA**

(75) Inventors: **Valtteri Eroma**, Espoo (FI);  
**John-Rhys Newman**, Woodland Hills,  
CA (US)

(73) Assignee: **Nokia Corporation**, Espoo (FI)

(\*\*) Term: **14 Years**

(21) Appl. No.: **29/183,520**

(22) Filed: **Jun. 13, 2003**

(51) **LOC (8) Cl.** ..... **16-01**

(52) **U.S. Cl.** ..... **D16/218; D16/200**

(58) **Field of Classification Search** ..... D16/200–206,  
D16/208, 218; 396/6, 7, 25–29, 535–541  
See application file for complete search history.

(56) **References Cited**

**U.S. PATENT DOCUMENTS**

D160,300 S	*	10/1950	Chapman	.....	D16/200
6,276,850 B1	*	8/2001	Silverbrook et al.	.....	396/6
D448,784 S	*	10/2001	Perez et al.	.....	D16/202
D484,520 S	*	12/2003	Jin	.....	D16/202
D486,169 S	*	2/2004	Esslinger et al.	.....	D16/206

\* cited by examiner

*Primary Examiner*—Adir Aronovich  
(74) *Attorney, Agent, or Firm*—Banner & Witcoff, Ltd.

(57) **CLAIM**

The ornamental design for a camera, as shown and described.

**DESCRIPTION**

FIG. 1 is a front view of a camera showing our new design;

FIG. 2 is a rear view thereof;

FIG. 3 is a front view of the camera of FIG. 1 with a panel in an alternative position;

FIG. 4 is a perspective front right side view of the camera of FIG. 1;

FIG. 5 is a perspective top view thereof;

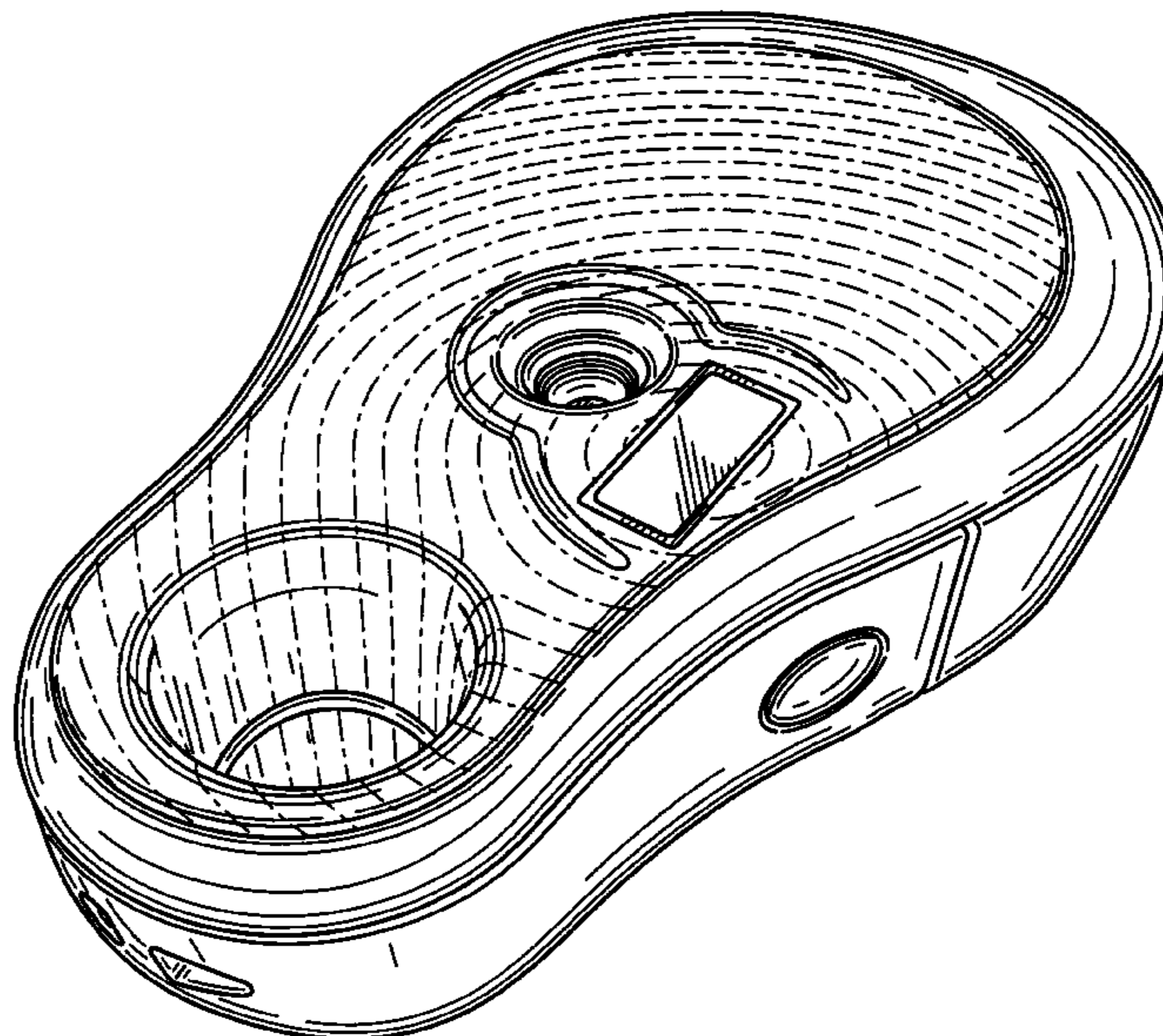
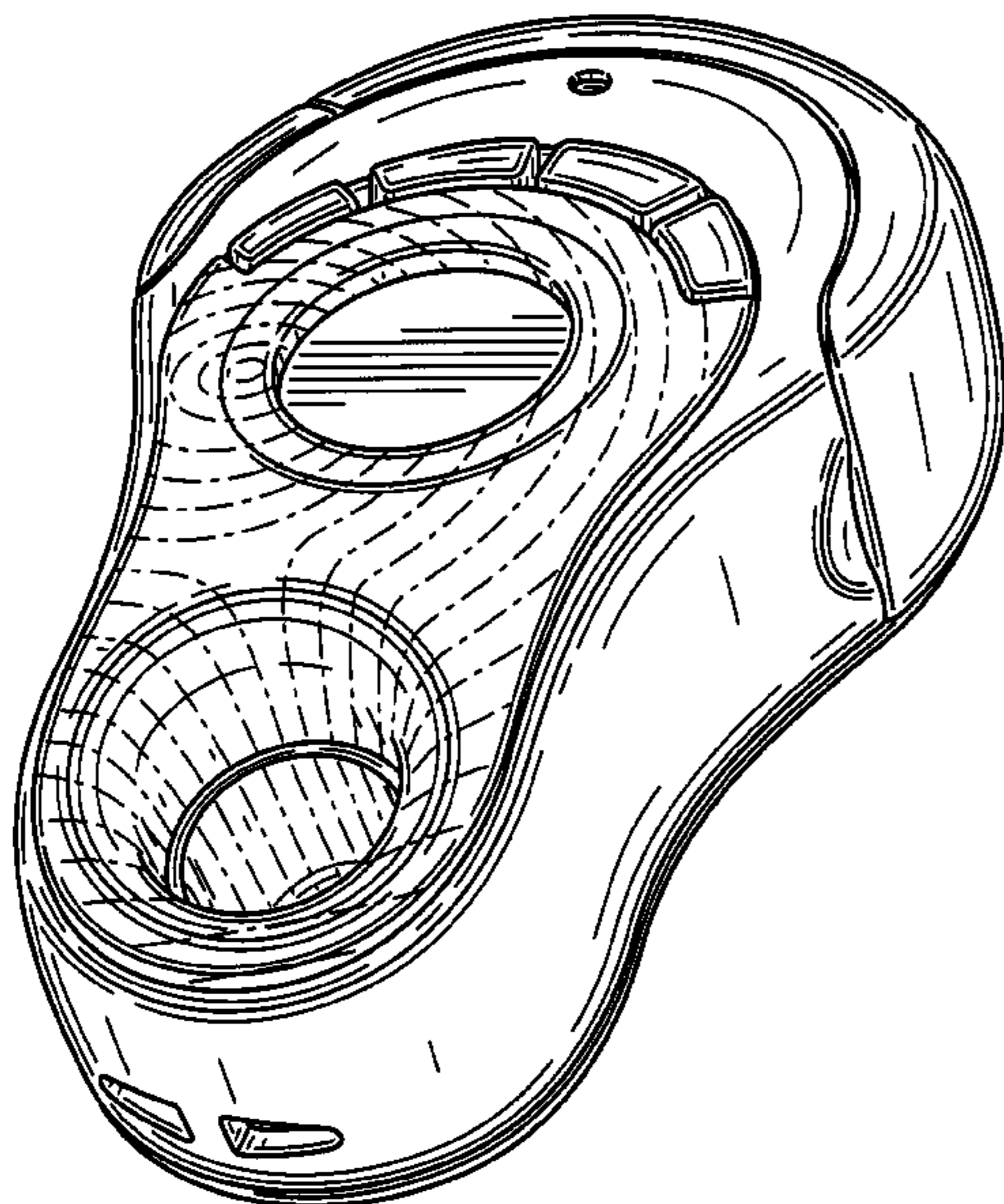
FIG. 6 is a perspective rear right side view thereof;

FIG. 7 is a perspective front view thereof; and,

FIG. 8 is a perspective rear view thereof.

The text and ornamentation shown in broken lines are for illustrative and purposes only and form no part of the claimed design.

**1 Claim, 8 Drawing Sheets**



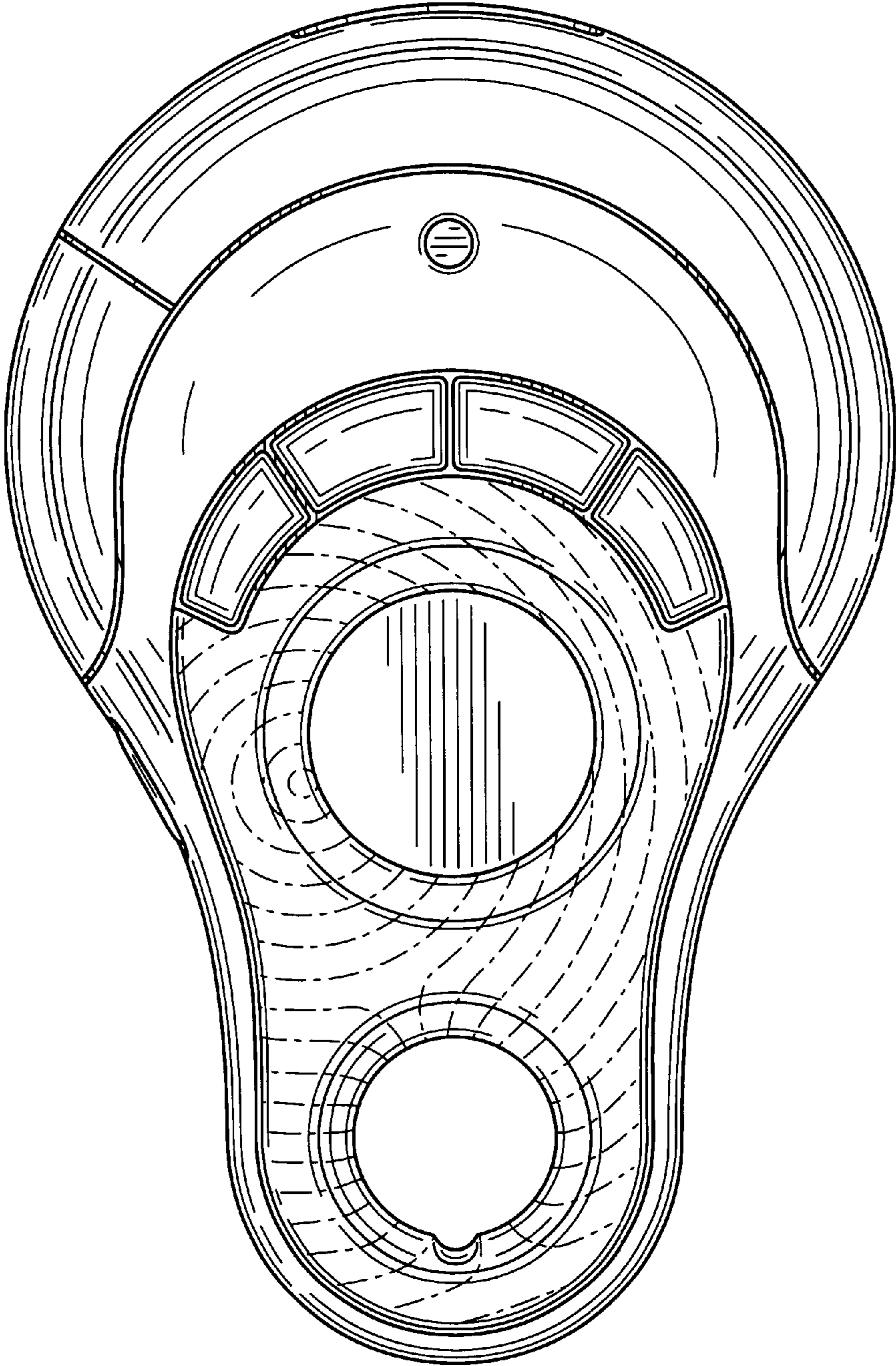


FIG. 1



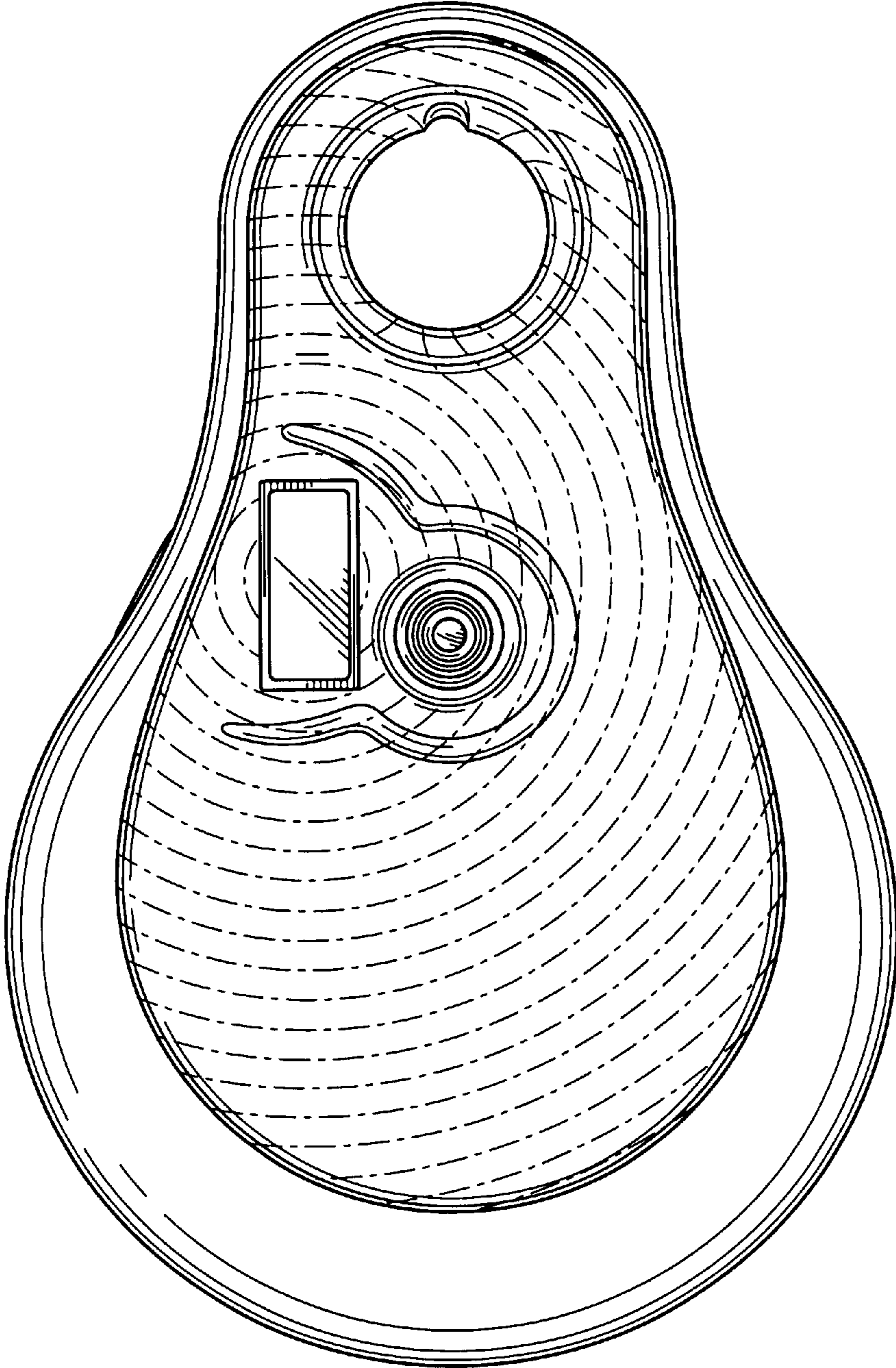


FIG. 2

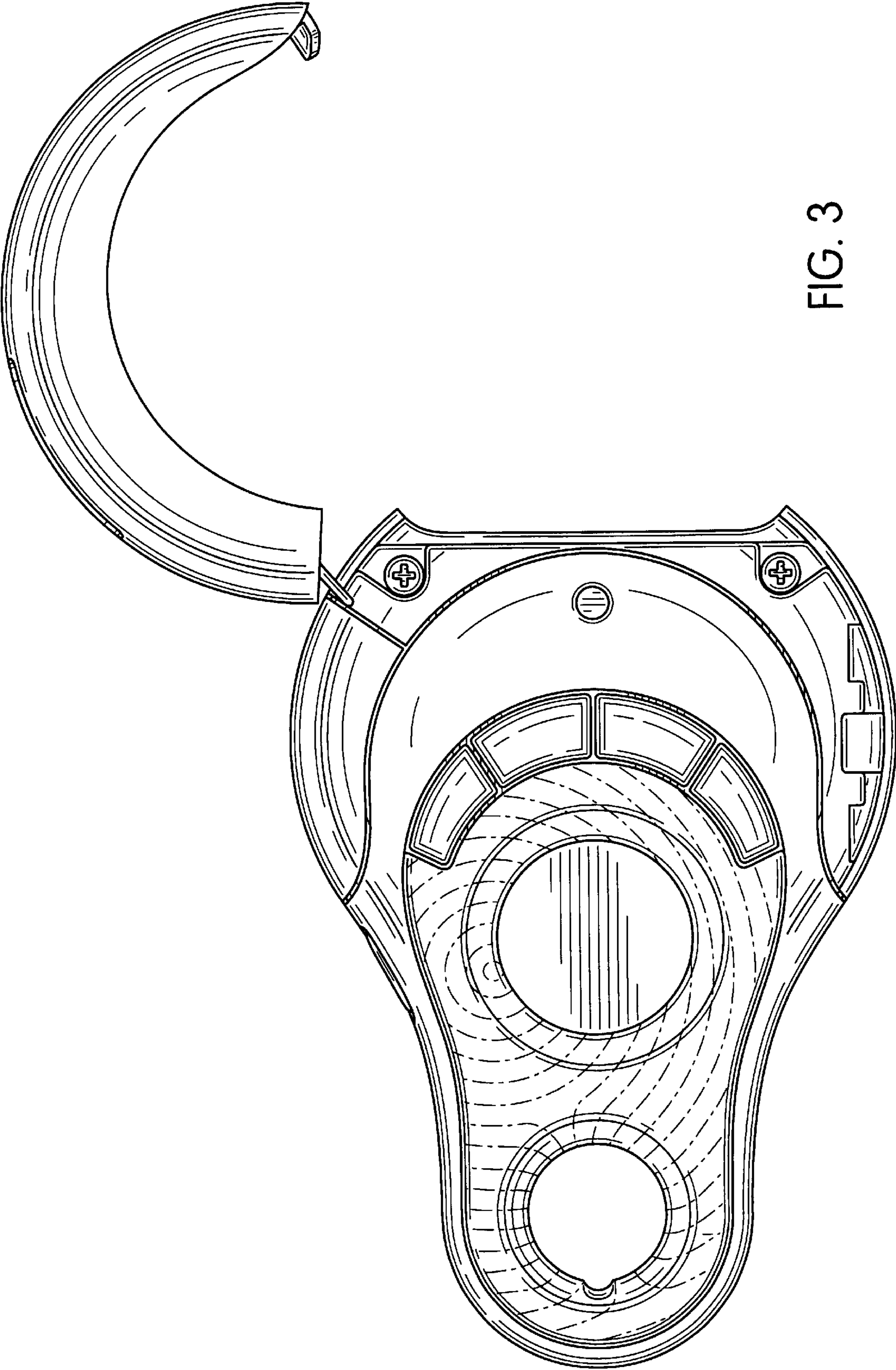


FIG. 3

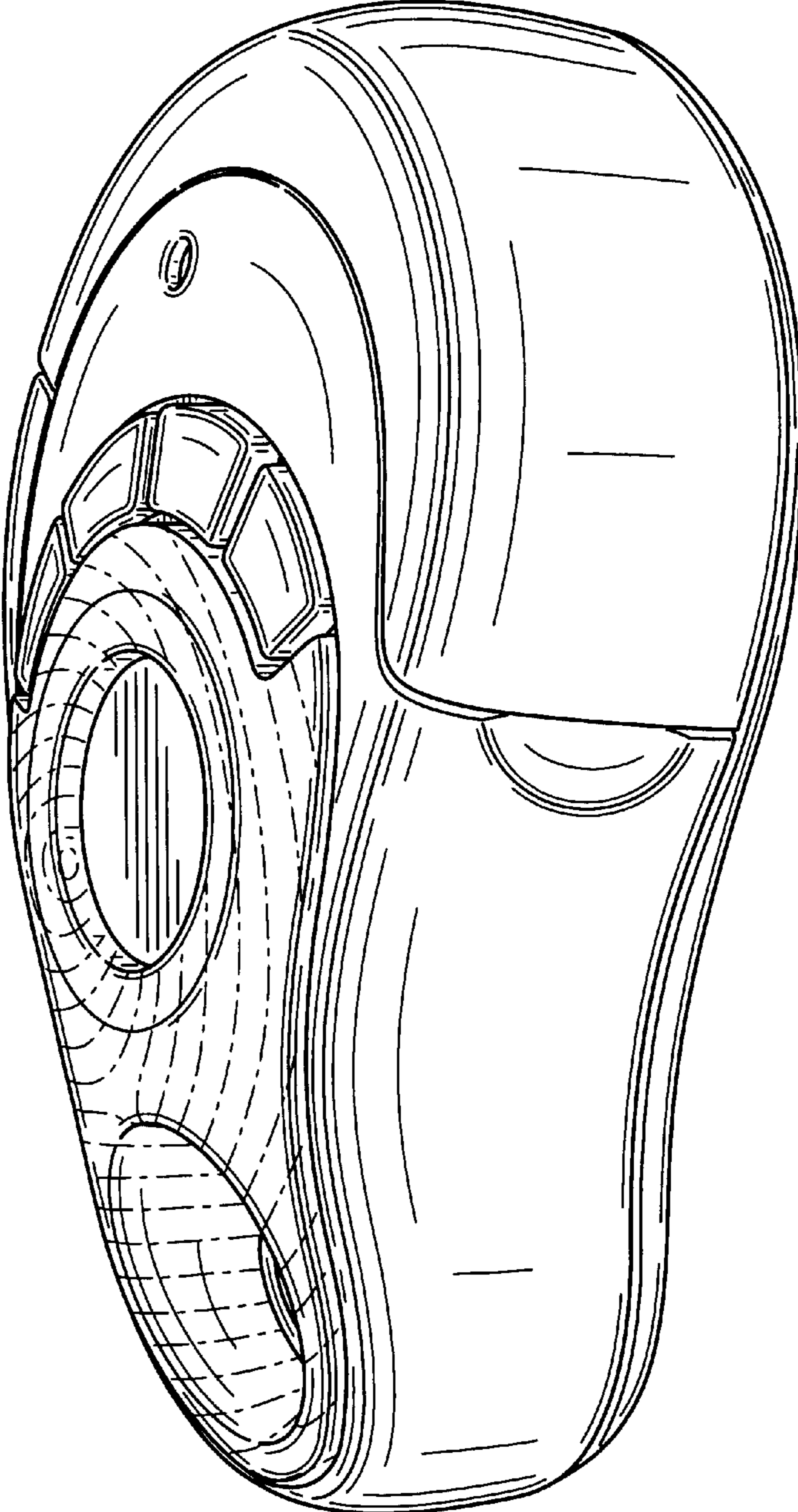


FIG. 4



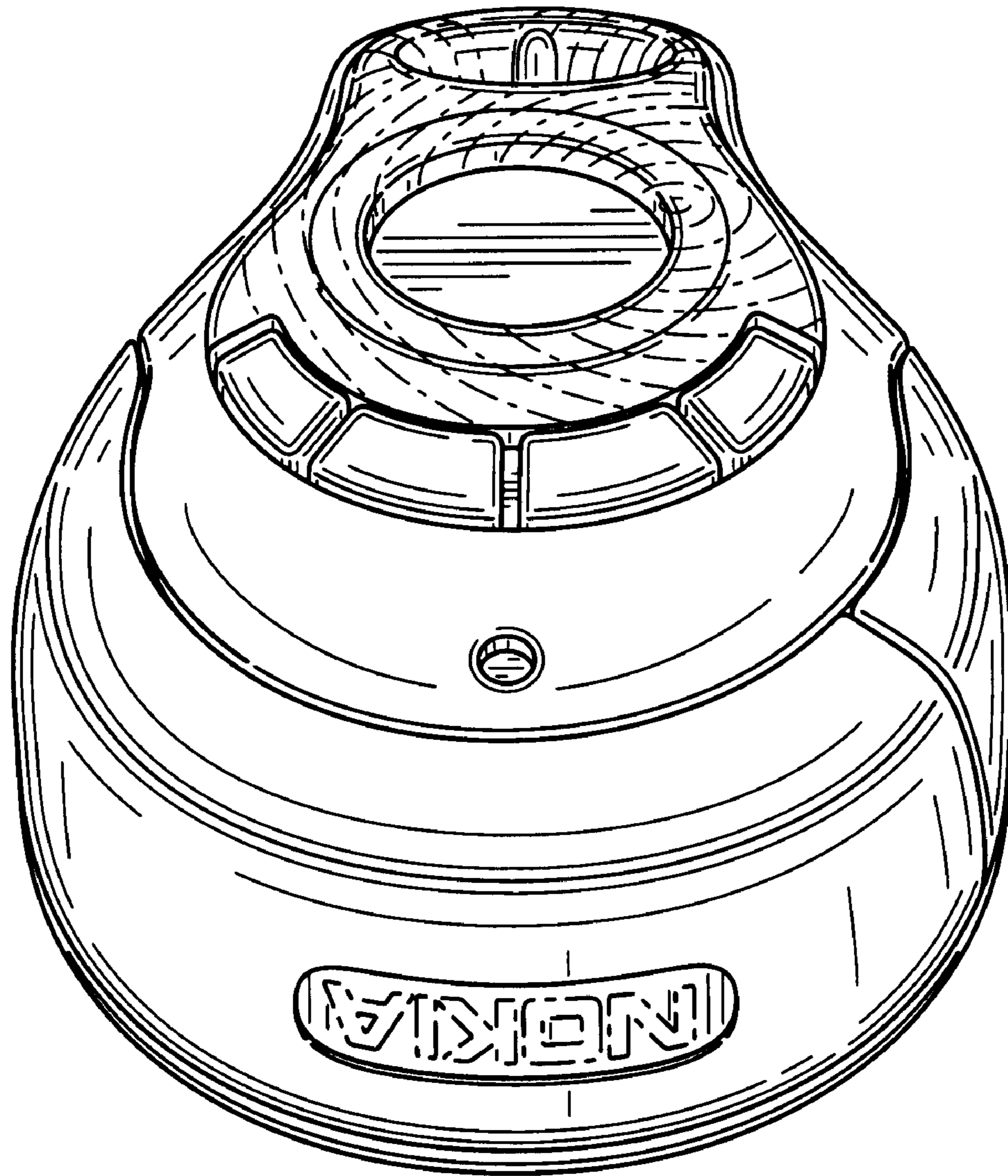


FIG. 5

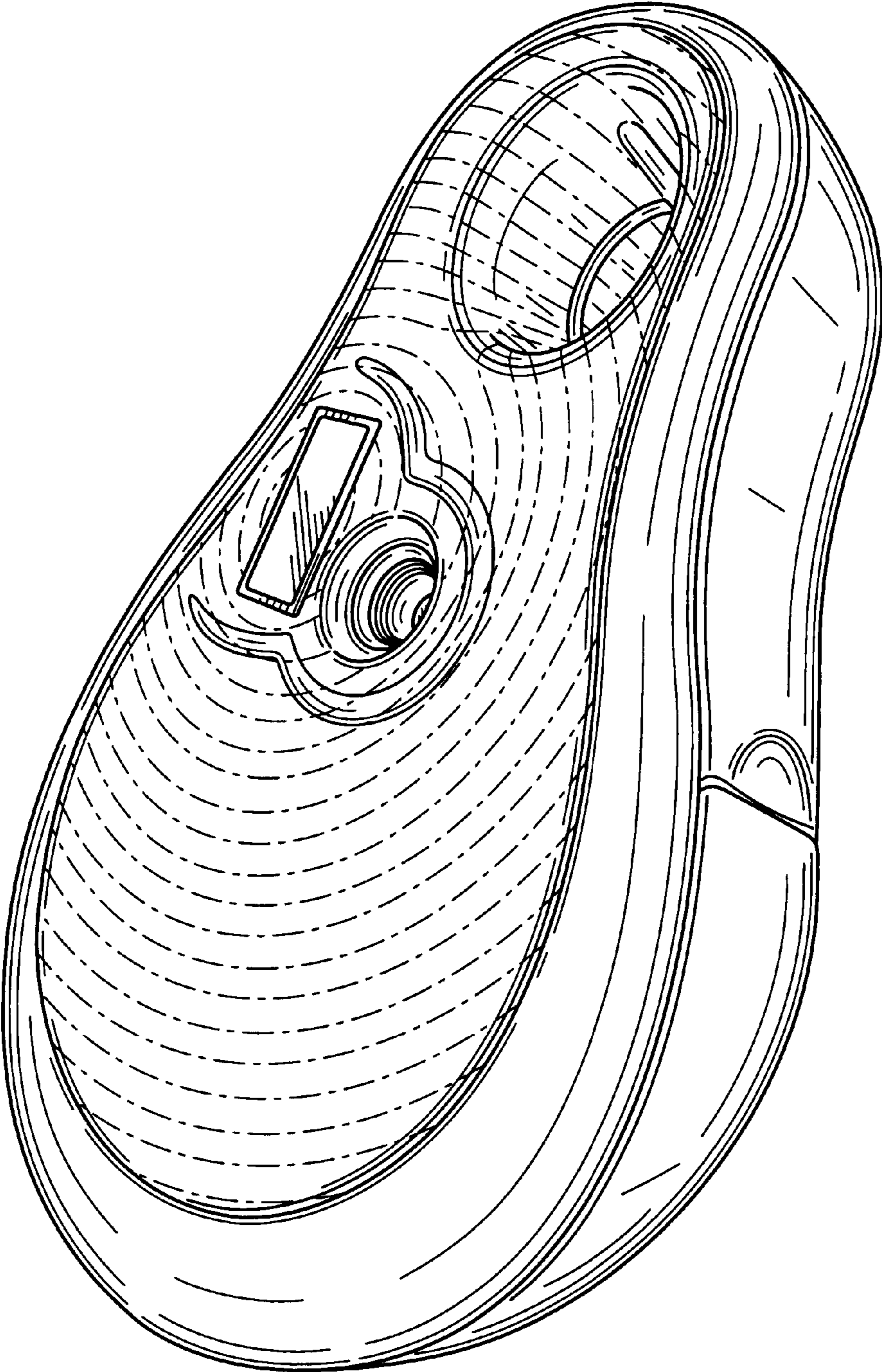


FIG. 6

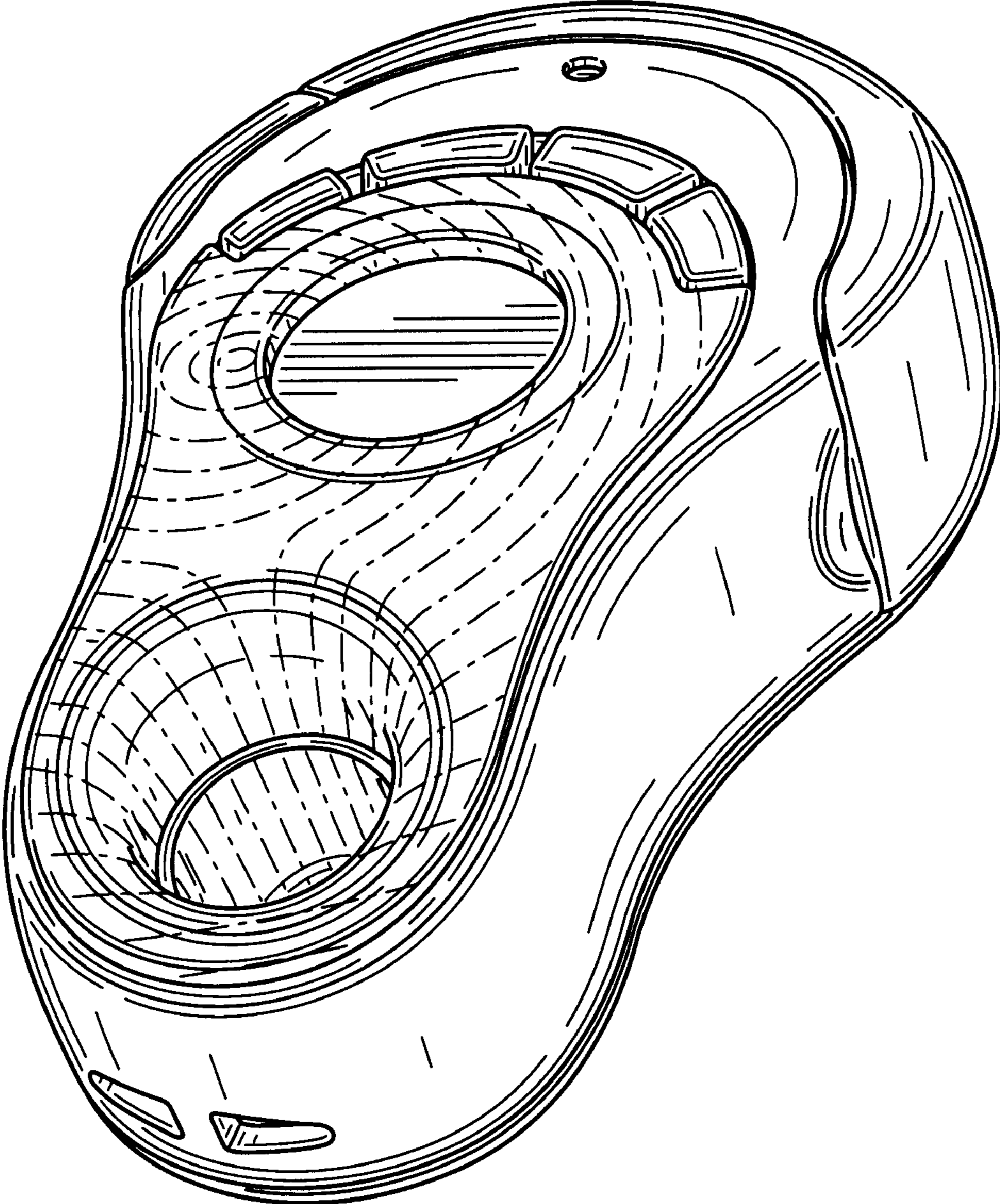


FIG. 7



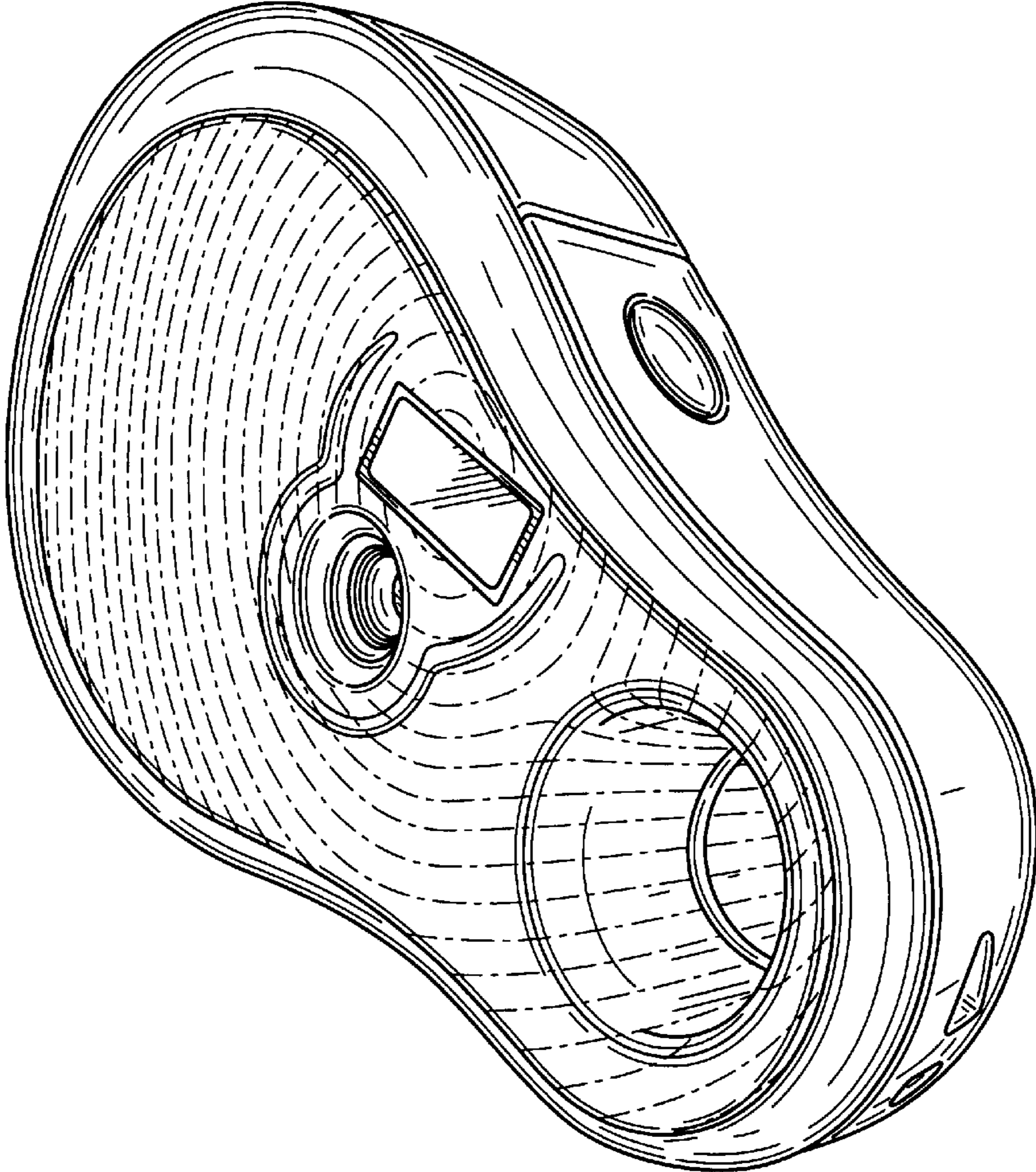


FIG. 8