



US00D517585S

(12) **United States Design Patent**  
**Iino et al.**

(10) **Patent No.: US D517,585 S**  
(45) **Date of Patent: \*\* Mar. 21, 2006**

(54) **CAMERA FOR MONITORING**  
(75) Inventors: **Masaaki Iino**, Soka (JP); **Masatomo Naruki**, Kawasaki (JP)  
(73) Assignee: **Kabushiki Kaisha Toshiba** (JP)  
(\*\*) Term: **14 Years**

D458,622 S 6/2002 Nagase ..... D16/203  
D464,981 S 10/2002 Nagase ..... D16/203  
D470,874 S \* 2/2003 Chiu ..... D16/202  
D476,345 S \* 6/2003 Phelps et al. .... D16/202  
D478,108 S \* 8/2003 Miyazaki ..... D16/203  
D487,764 S \* 3/2004 Adachi et al. .... D16/203  
6,705,774 B1 \* 3/2004 Tashiro et al. .... 396/427  
D502,196 S \* 2/2005 Miyazaki ..... D16/203

(21) Appl. No.: **29/216,364**  
(22) Filed: **Nov. 3, 2004**  
(30) **Foreign Application Priority Data**

Sep. 17, 2004 (JP) ..... 2004-028332

(51) **LOC (8) Cl.** ..... **16-01**  
(52) **U.S. Cl.** ..... **D16/203**  
(58) **Field of Classification Search** ..... D16/200-204,  
D16/208, 218; 348/143, 373, 374-376; 396/427,  
396/535, 536-541  
See application file for complete search history.

(56) **References Cited**

**U.S. PATENT DOCUMENTS**

D387,789 S \* 12/1997 Sumida et al. .... D16/203  
D441,000 S \* 4/2001 Vanderwilt et al. .... D16/202  
D458,289 S \* 6/2002 Ogura ..... D16/202

\* cited by examiner

*Primary Examiner*—Adir Aronovich  
(74) *Attorney, Agent, or Firm*—Banner & Witcoff, Ltd.

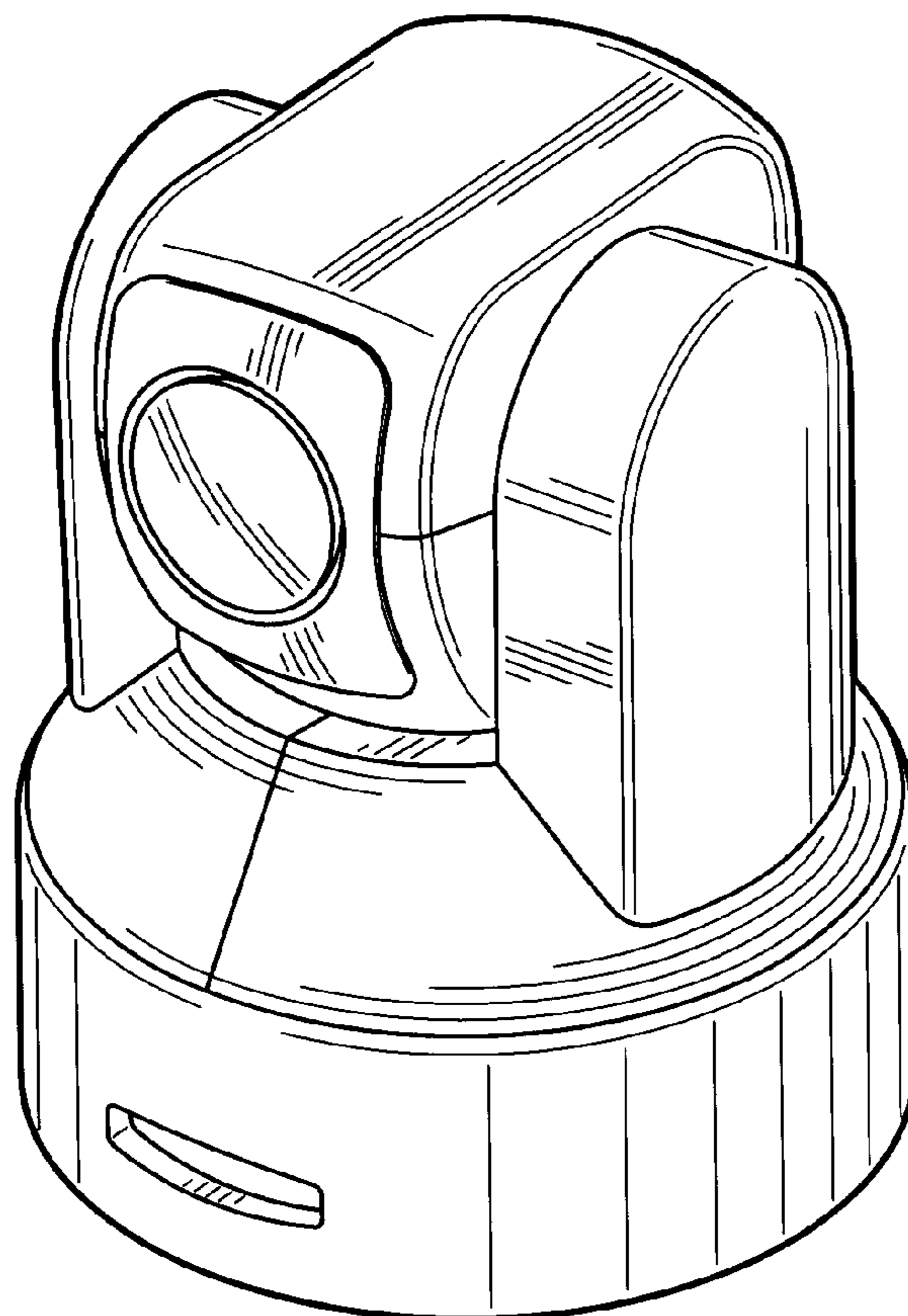
(57) **CLAIM**

The ornamental design for a camera for monitoring, as shown and described.

**DESCRIPTION**

FIG. 1 is a front, top and right side perspective view of a camera for monitoring, showing our new design;  
FIG. 2 is a front elevational view thereof;  
FIG. 3 is a rear elevational view thereof;  
FIG. 4 is a right side elevational view thereof; the opposite side being a mirror image thereof;  
FIG. 5 is a top plan view thereof; and,  
FIG. 6 is a bottom plan view thereof.

**1 Claim, 3 Drawing Sheets**



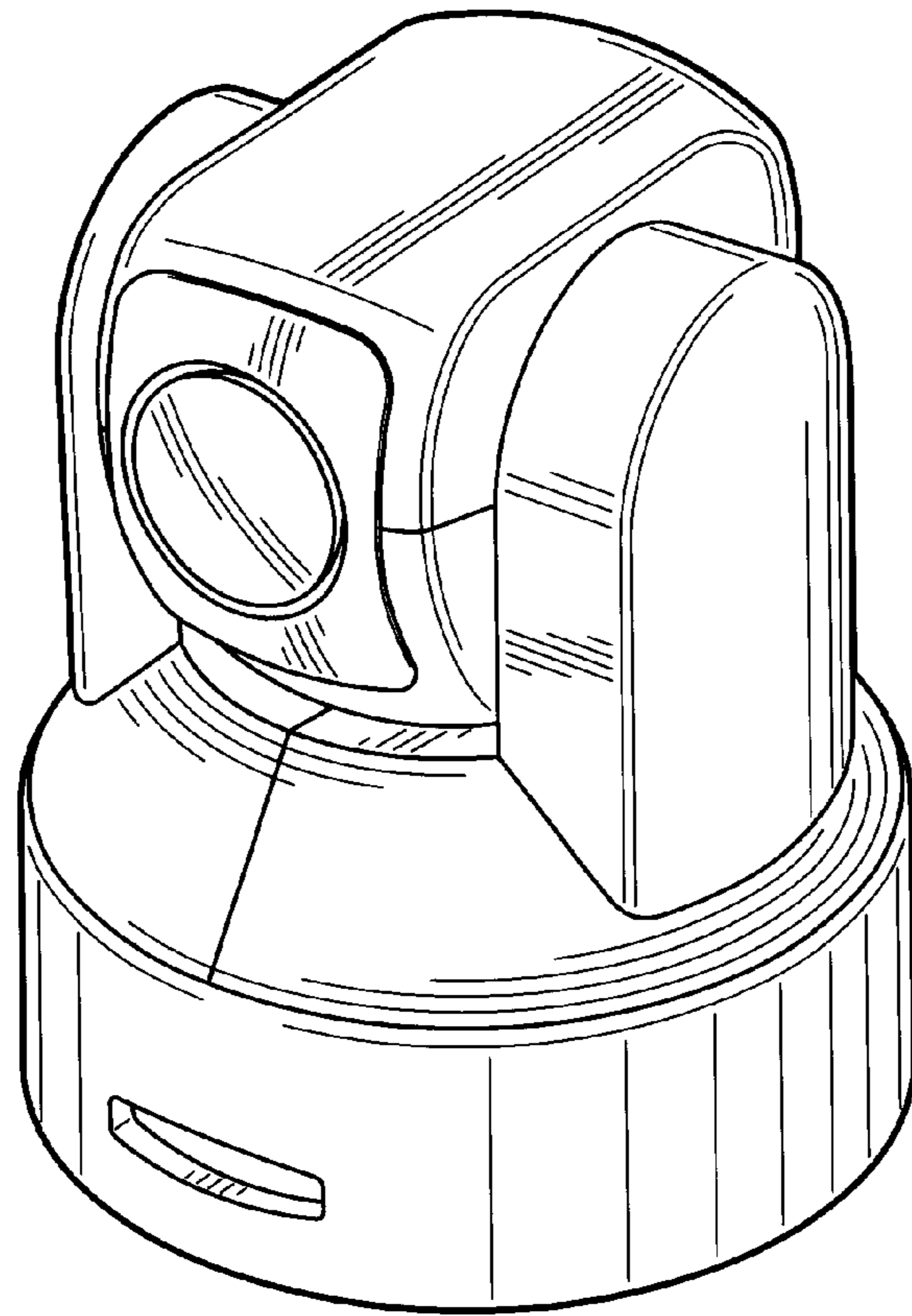


Fig.1

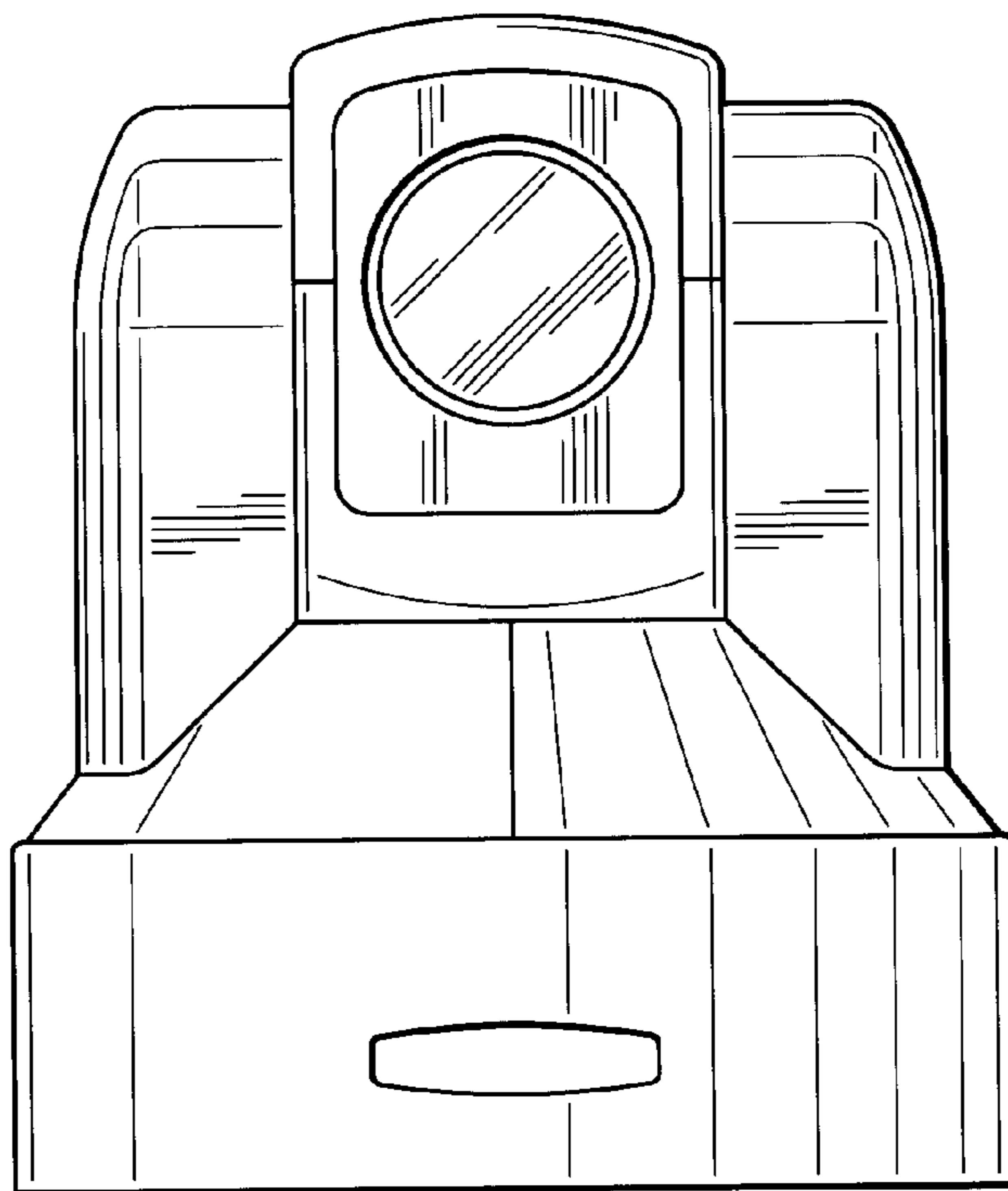


Fig.2

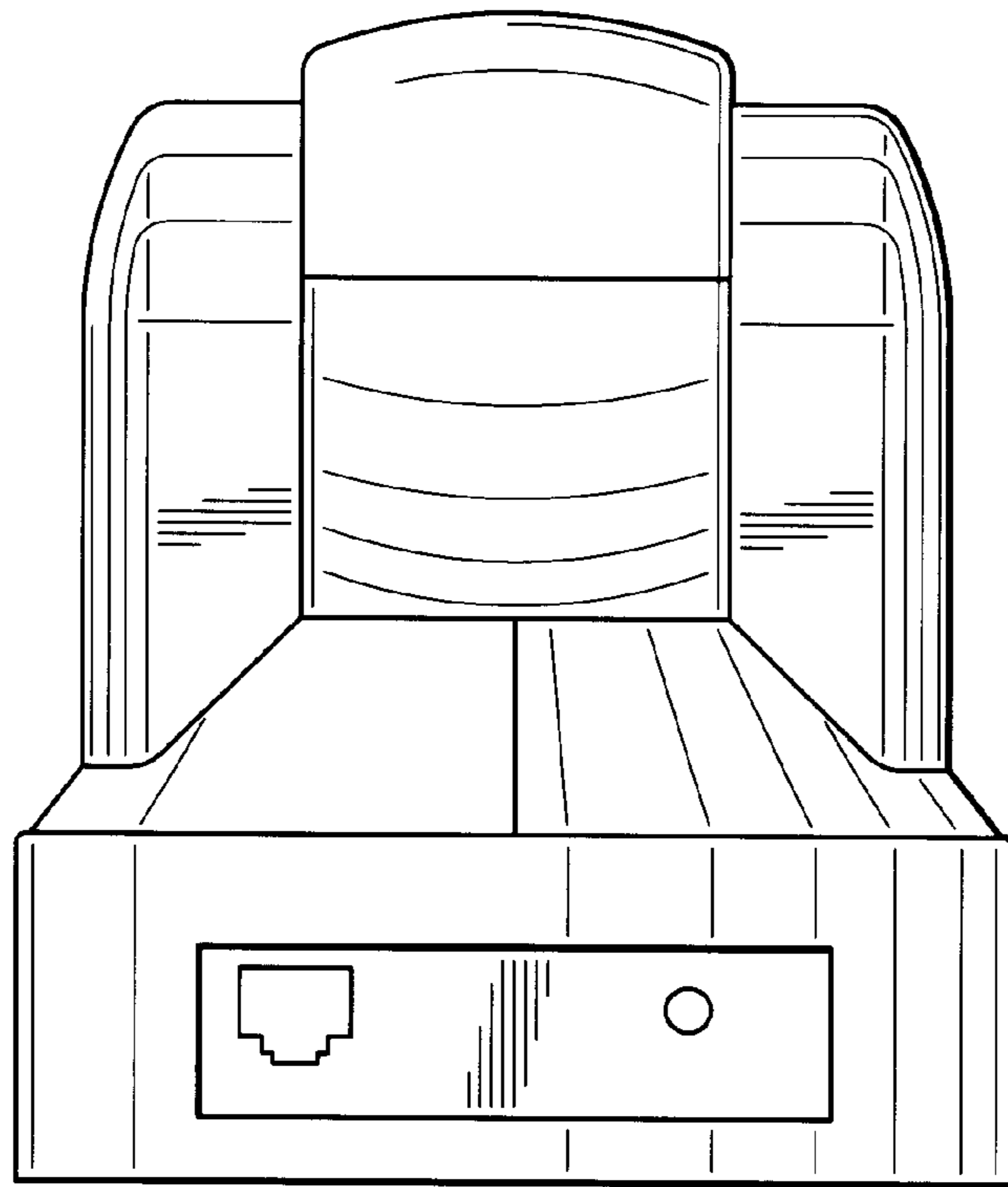


Fig.3

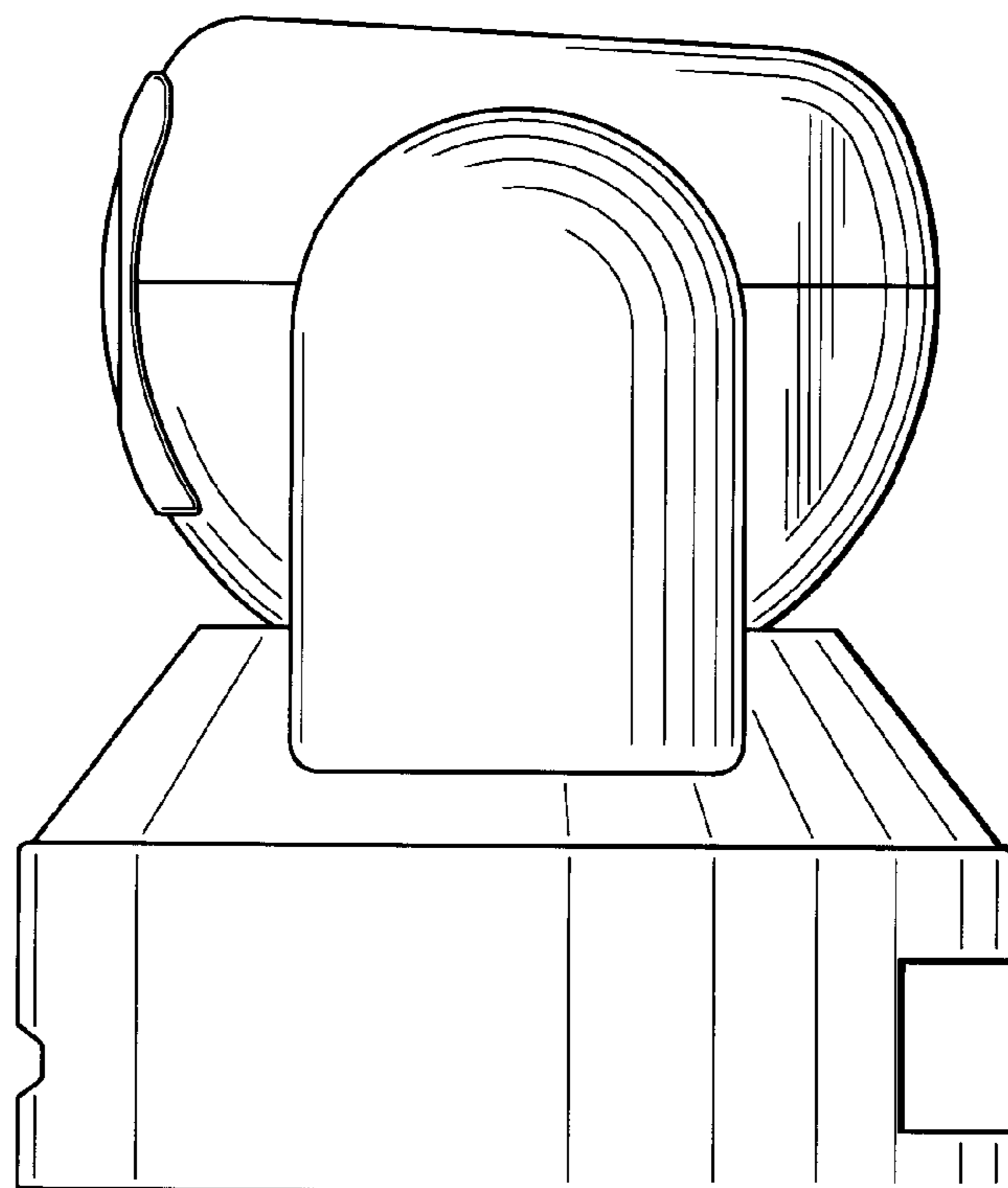


Fig.4

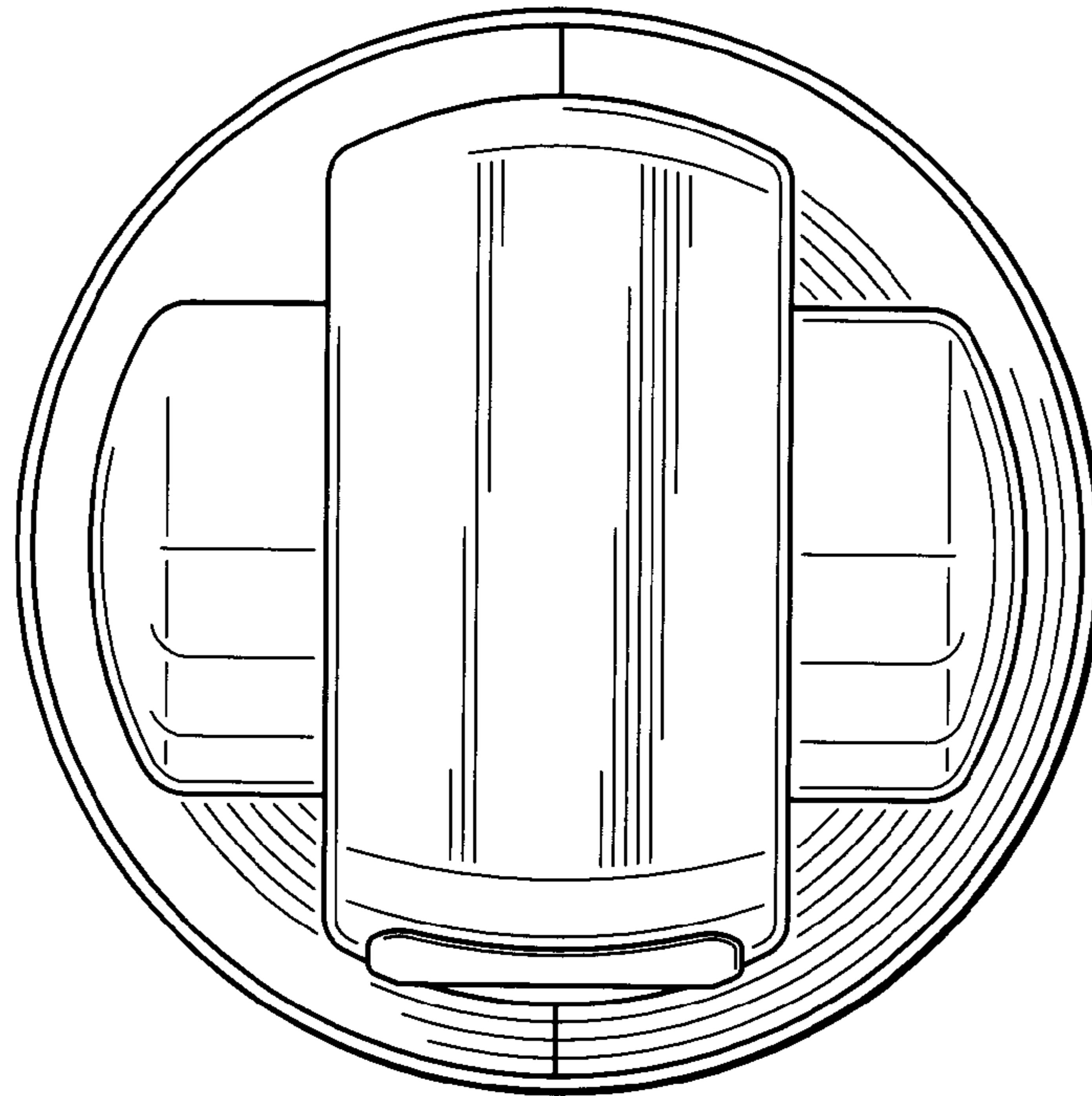


Fig.5

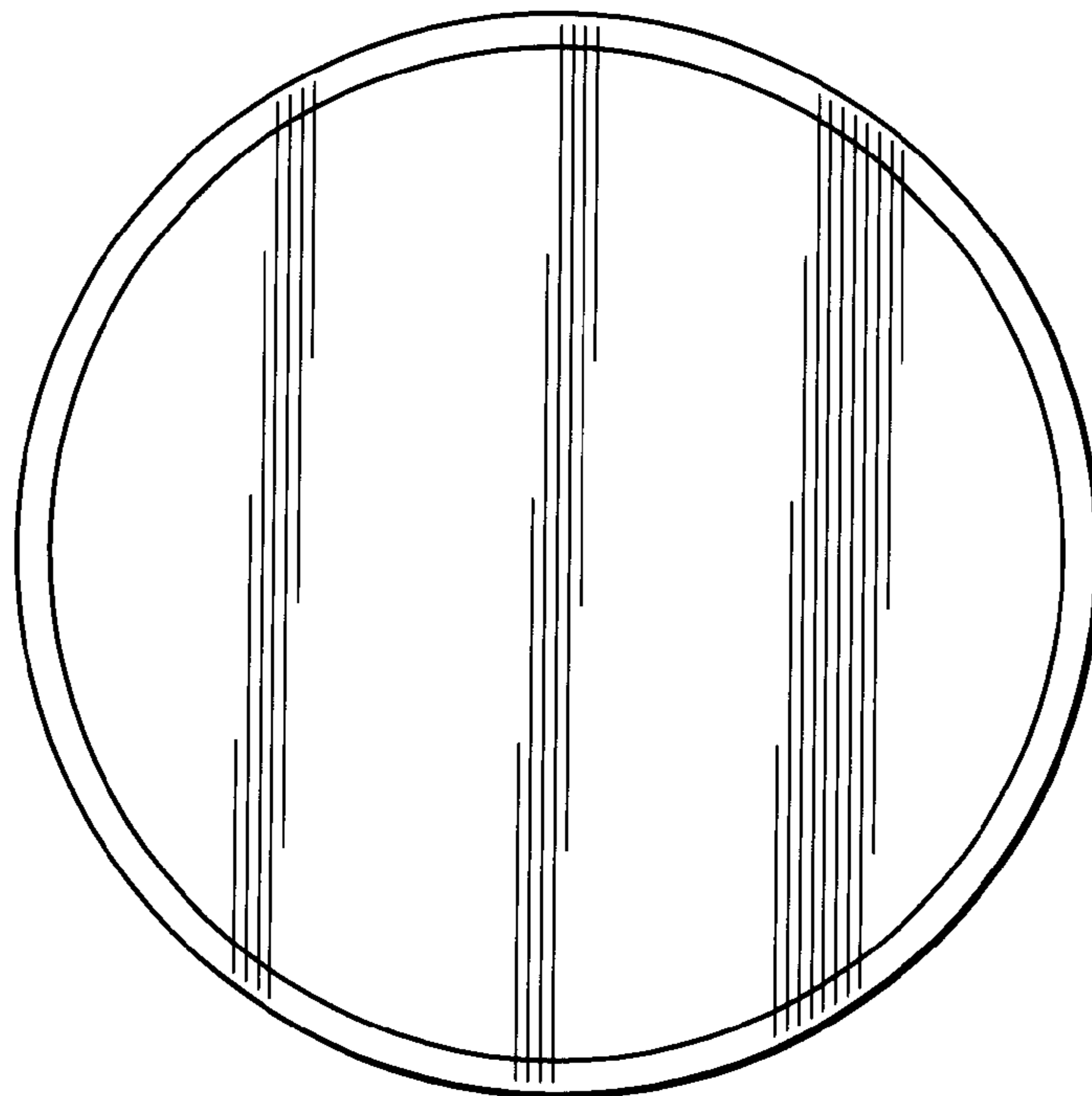


Fig.6