



US00D517584S

(12) **United States Design Patent**
Chen

(10) **Patent No.:** **US D517,584 S**
(45) **Date of Patent:** **** Mar. 21, 2006**

(54) **PC CAMERA**

(75) **Inventor:** **Henry Chen, Hsi-Chih (TW)**

(73) **Assignee:** **AME Optimedia Technology Co., Ltd., Taipei Hsien (TW)**

(**) **Term:** **14 Years**

(21) **Appl. No.:** **29/214,241**

(22) **Filed:** **Sep. 28, 2004**

(51) **LOC (8) Cl.** **16-01**

(52) **U.S. Cl.** **D16/202; D16/200**

(58) **Field of Classification Search** **D16/200-205, D16/208, 218; 348/373-376; 358/14.01-14.1, 358/909.1; 396/535-541**

See application file for complete search history.

(56) **References Cited**

U.S. PATENT DOCUMENTS

D448,785 S * 10/2001 Chou D16/202
D464,365 S * 10/2002 Su D16/202

D475,381 S * 6/2003 Komatsu D16/202
D477,344 S * 7/2003 Ng D16/202
D496,355 S * 9/2004 Harshbarger et al. D16/208
6,842,193 B1 * 1/2005 Shimose 348/373

* cited by examiner

Primary Examiner—Adir Aronovich

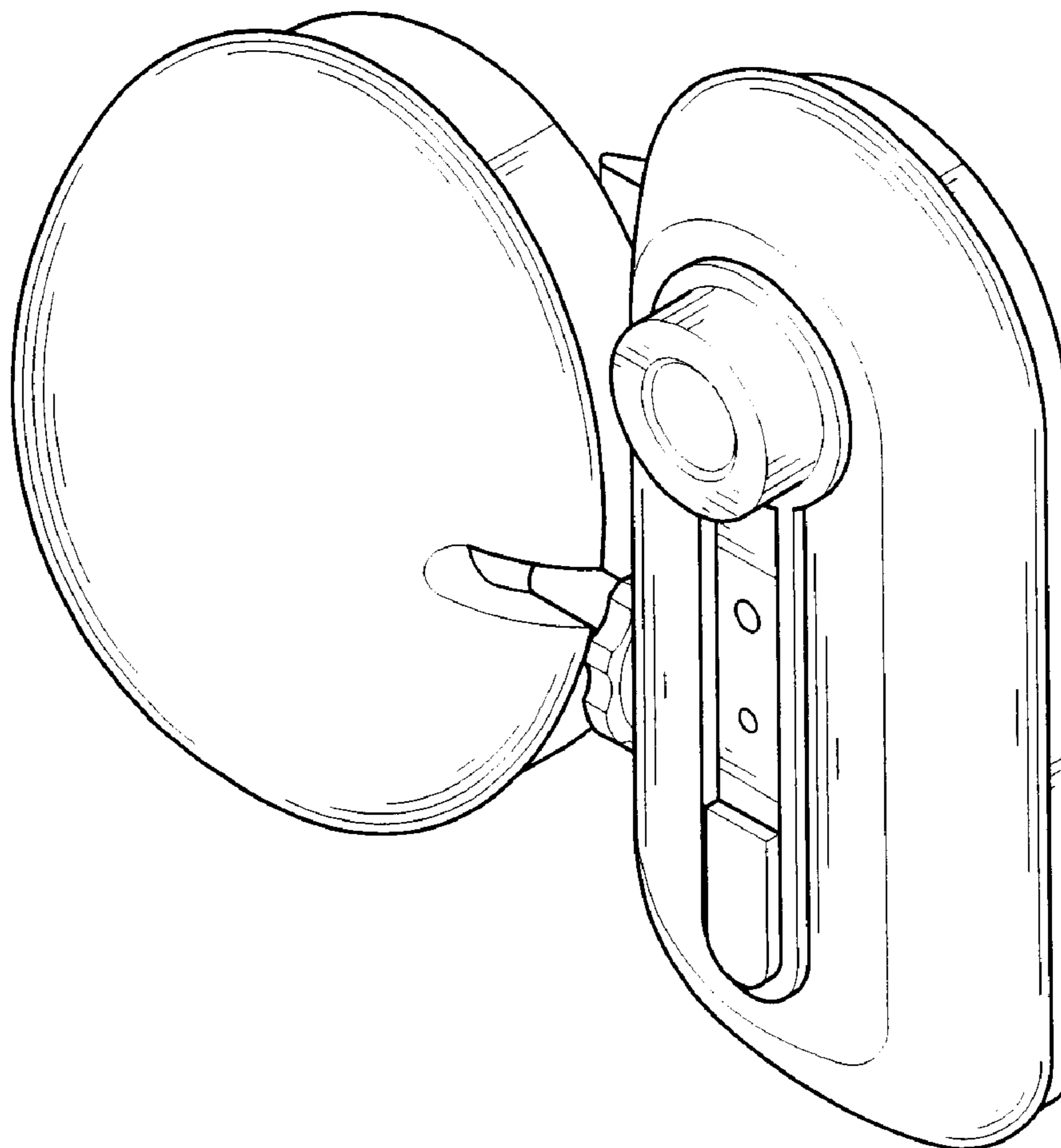
(57) **CLAIM**

The ornamental design for a PC camera, as shown and described.

DESCRIPTION

FIG. 1 is a perspective view of a PC camera showing my new design;
FIG. 2 is a front elevational view thereof;
FIG. 3 is a rear elevational view thereof;
FIG. 4 is a left side elevational view thereof;
FIG. 5 is right side elevational view thereof;
FIG. 6 is a top view thereof; and,
FIG. 7 is a bottom view thereof.

1 Claim, 7 Drawing Sheets



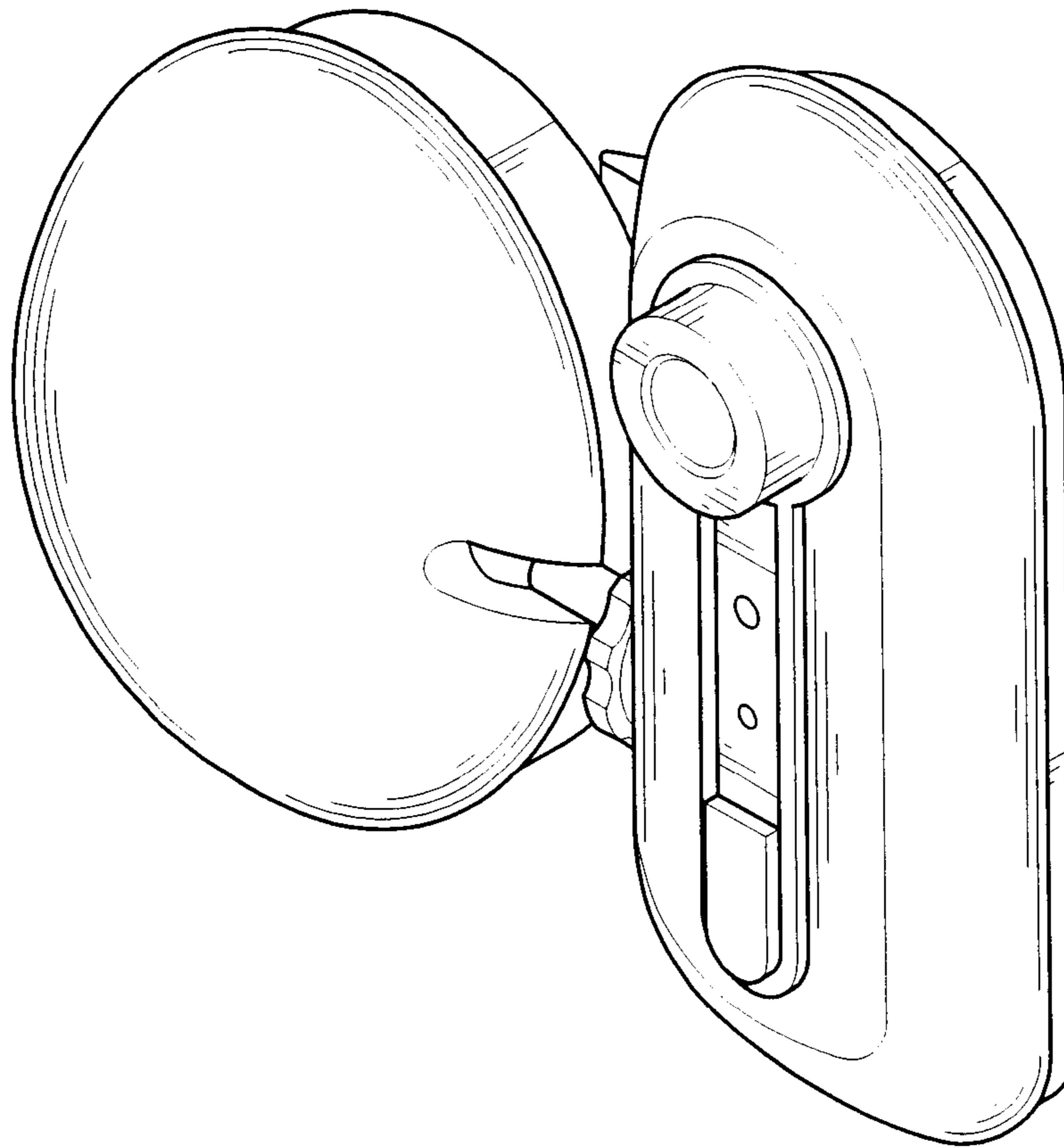


FIG. 1

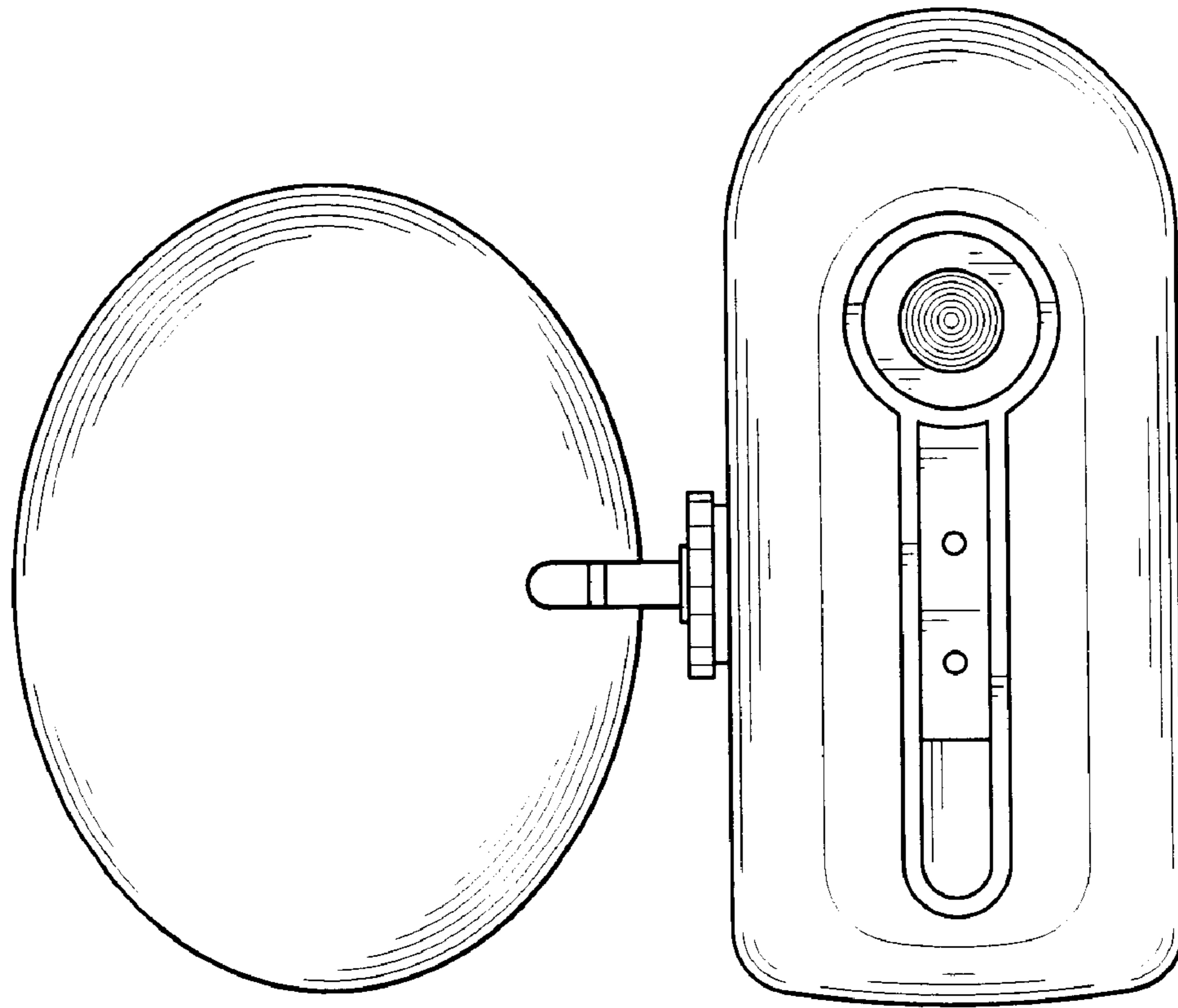


FIG. 2

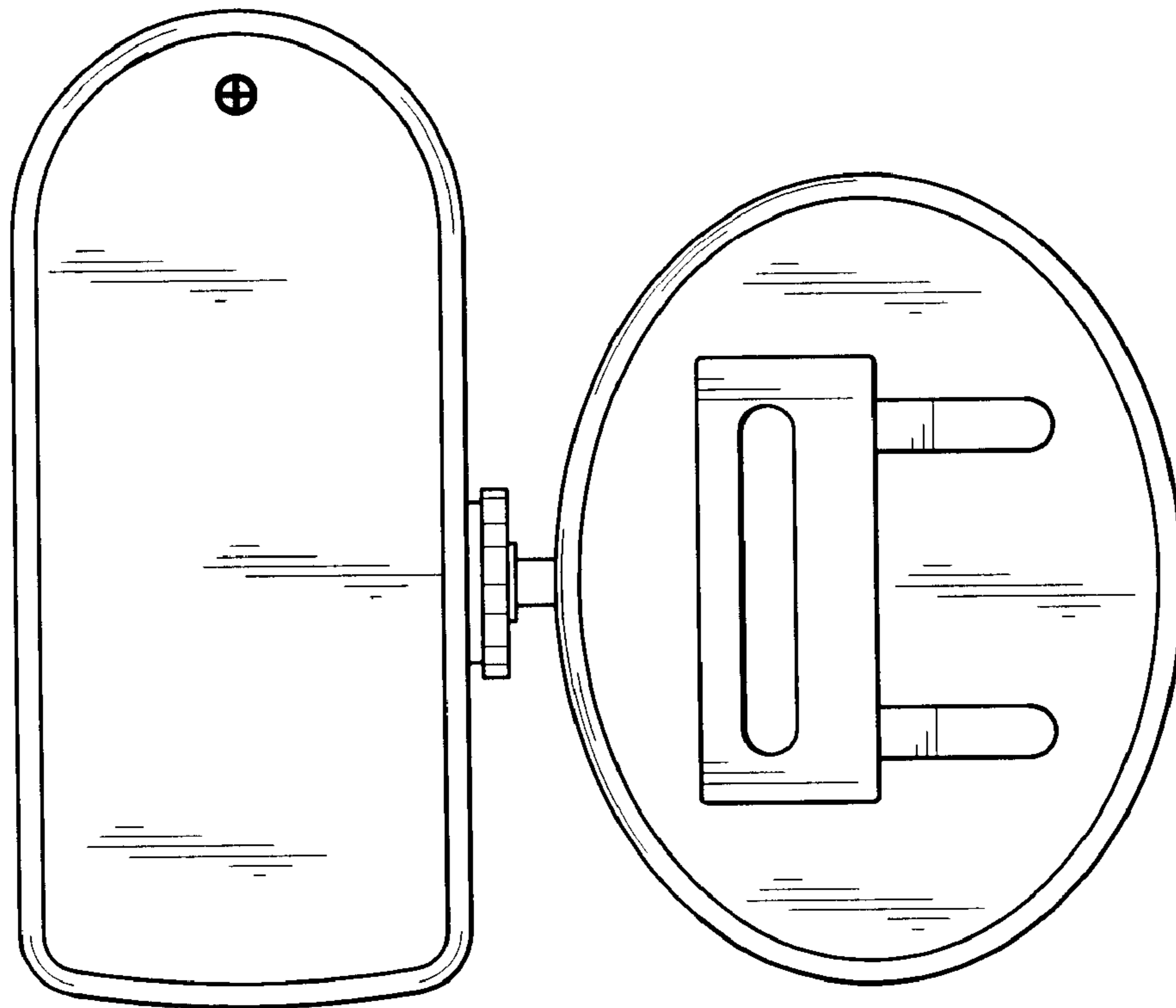


FIG. 3

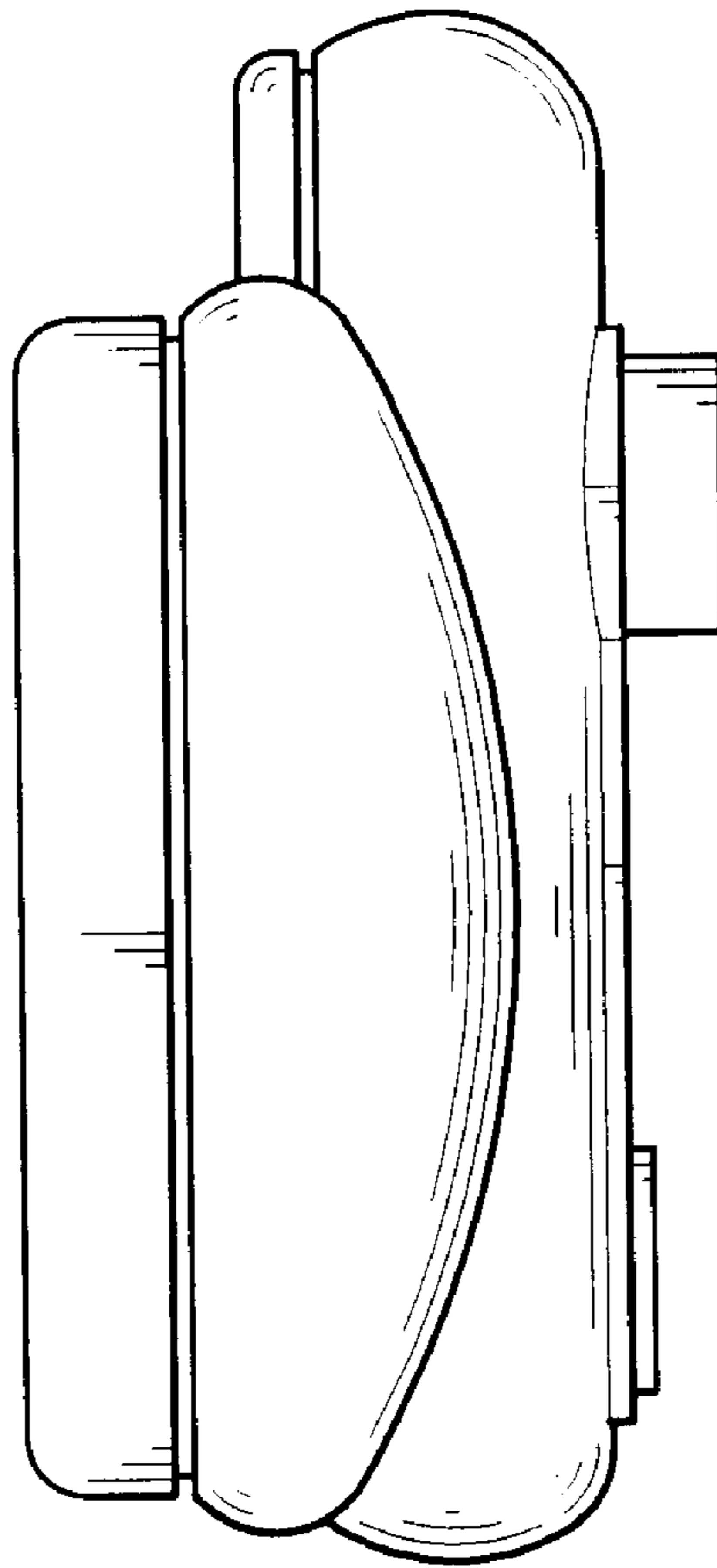


FIG. 4

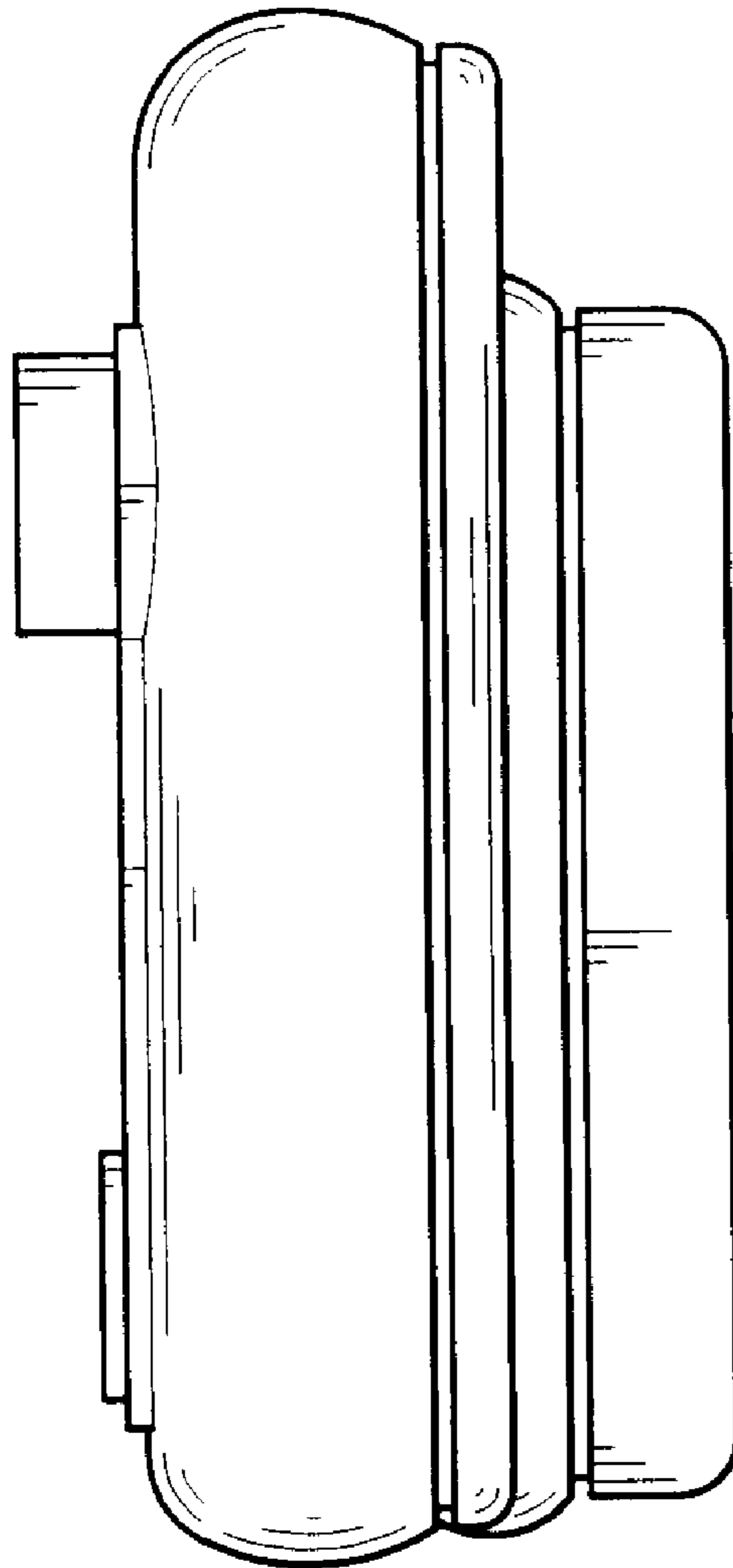


FIG. 5

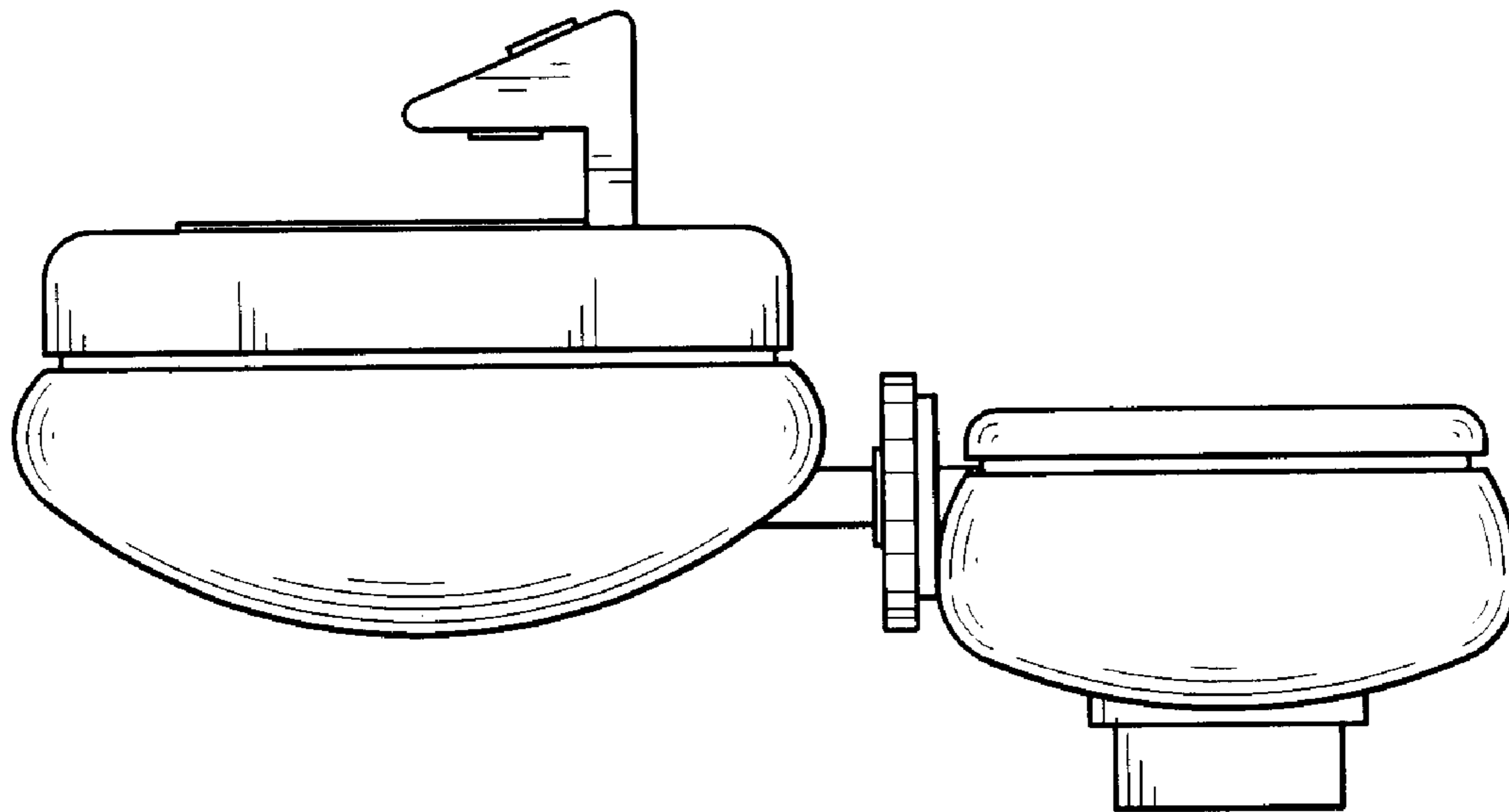


FIG. 6

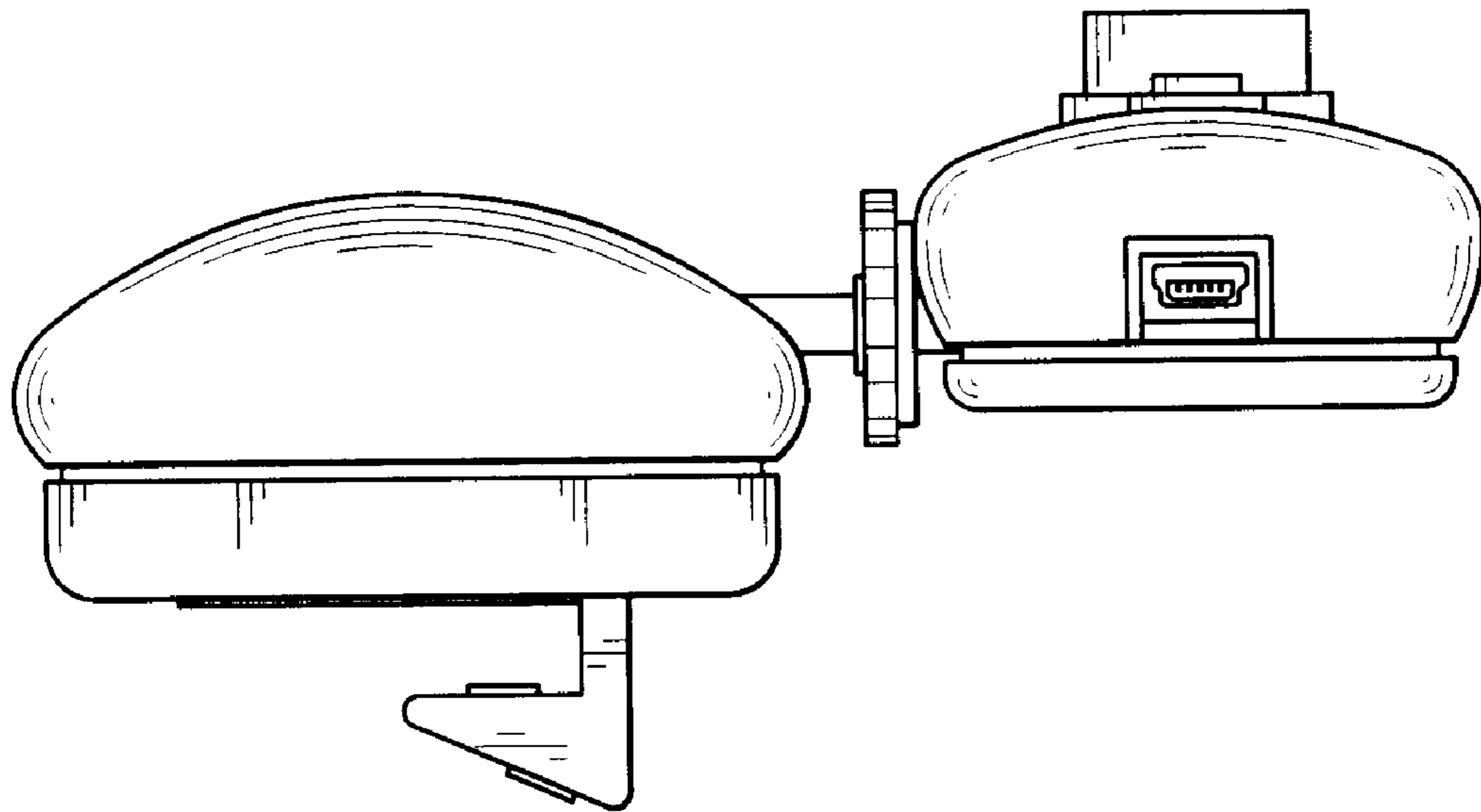


FIG. 7