



US00D517583S

(12) **United States Design Patent**
Giampavolo

(10) **Patent No.:** **US D517,583 S**
(45) **Date of Patent:** **** Mar. 21, 2006**

(54) **LABEL ENLARGER**

(76) **Inventor:** **Paul Giampavolo**, 10 Kingsbridge Rd.,
Fairfield, NJ (US) 07860

(**) **Term:** **14 Years**

(21) **Appl. No.:** **29/225,814**

(22) **Filed:** **Mar. 21, 2005**

(51) **LOC (8) Cl.** **16-06**

(52) **U.S. Cl.** **D16/135**

(58) **Field of Classification Search** D16/130,
D16/135; 359/742, 798, 799, 800, 801, 802,
359/803, 806, 809, 810, 811, 812, 818, 819,
359/822; D26/38, 44, 51, 62; 362/109, 157,
362/253

See application file for complete search history.

(56) **References Cited**

U.S. PATENT DOCUMENTS

D229,231	S	*	11/1973	Beeren	D16/135
D291,448	S	*	8/1987	Tai-Kam		
D324,060	S	*	2/1992	Huang	D16/135
5,113,289	A	*	5/1992	Soper		
5,926,315	A	*	7/1999	McBride		
6,137,639	A	*	10/2000	Woolwine		
6,233,102	B1	*	5/2001	Hogan, Jr.		
6,597,523	B1	*	7/2003	Giampavolo et al.		
D491,211	S	*	6/2004	Giampavolo et al.		
D491,590	S	*	6/2004	Singer et al.	D16/135
D502,719	S	*	3/2005	Yip et al.	D16/135

* cited by examiner

Primary Examiner—Paula A. Greene

(74) *Attorney, Agent, or Firm*—Ostrolenk, Faber, Gerb &
Soffen, LLP

(57) **CLAIM**

The ornamental design for a label enlarger, substantially as
shown and described.

DESCRIPTION

FIG. 1 is a front perspective view of a label enlarger showing
my new design, the broken lines to the bracket and cable are
for illustrative purposes only and form no part of the claimed
design;

FIG. 2 is a rear elevation view thereof;

FIG. 3 is a left side elevation view of FIG. 2;

FIG. 4 is a right side elevation view thereof;

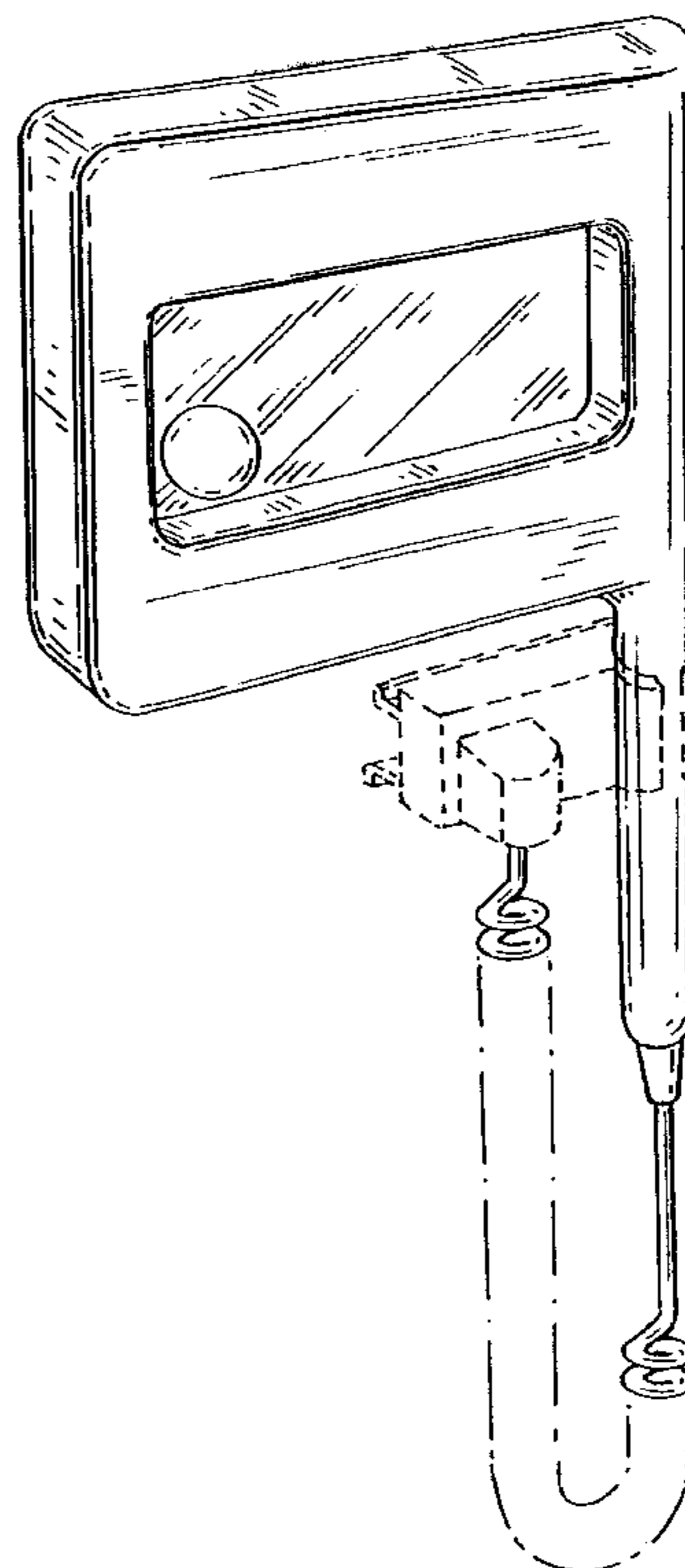
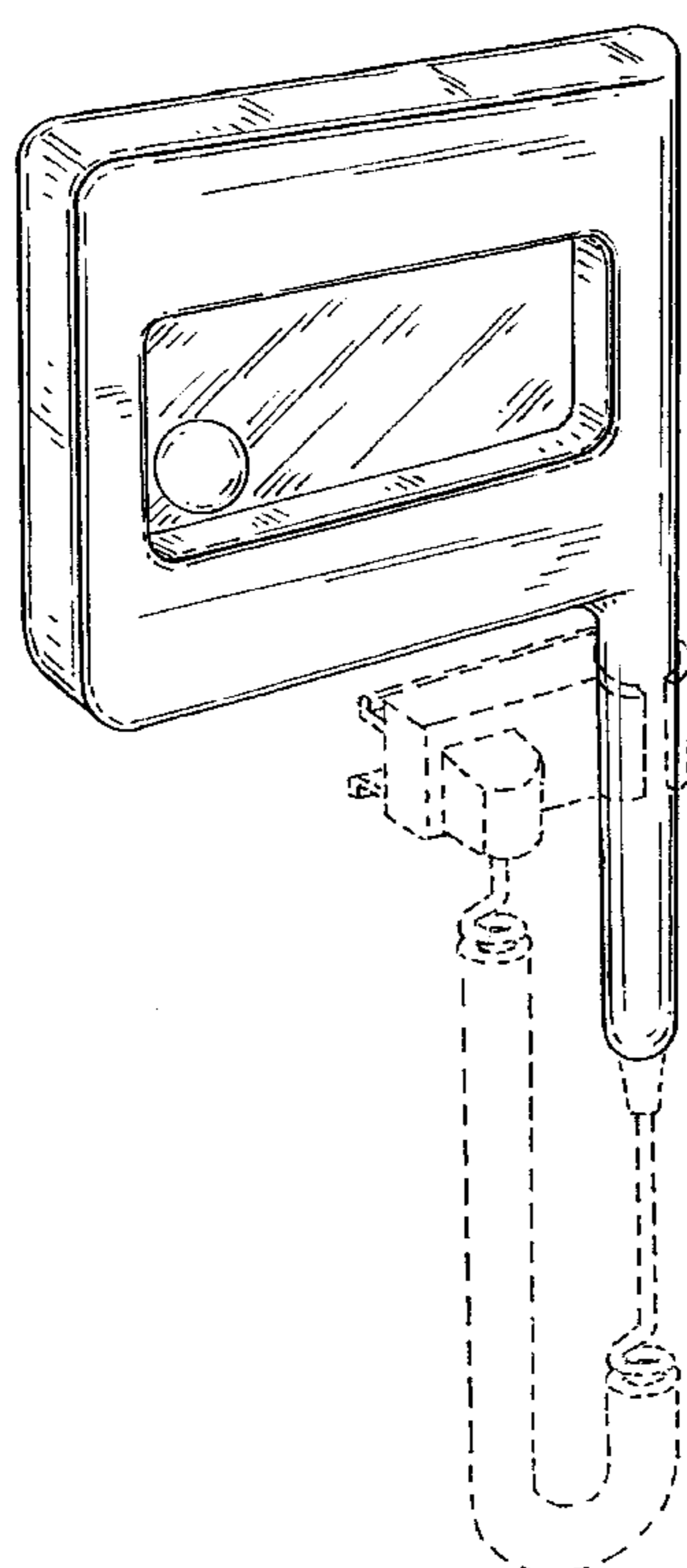
FIG. 5 is a top plan view thereof;

FIG. 6 is a bottom plan view thereof;

FIG. 7 is a front perspective view of the label enlarger shown
in FIG. 1 in full lines, the broken lines to the bracket and
cable are for illustrative purposes only and form no part of
the claimed design; and,

FIG. 8 is a front perspective view of a second embodiment
of a label enlarger showing my new design, the broken lines
are for illustrative purposes only and form no part of the
claimed design, the rear elevation view, the left side eleva-
tion view, the right side elevation view, the top plan view, the
bottom plan view of the label enlarger are the same as FIGS.
2,3,4,5 and **6**, the undisclosed rear of the cable is not part of
the claimed design.

1 Claim, 4 Drawing Sheets



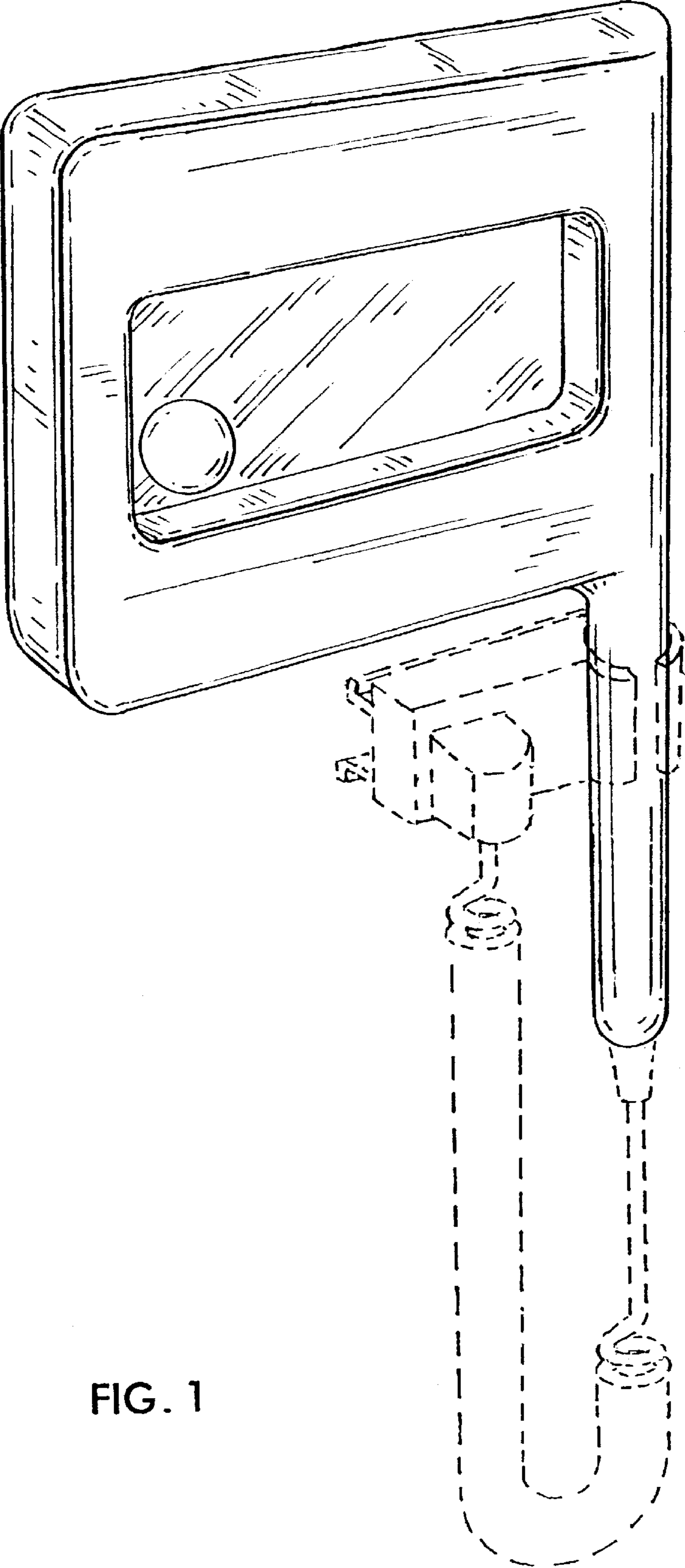


FIG. 1

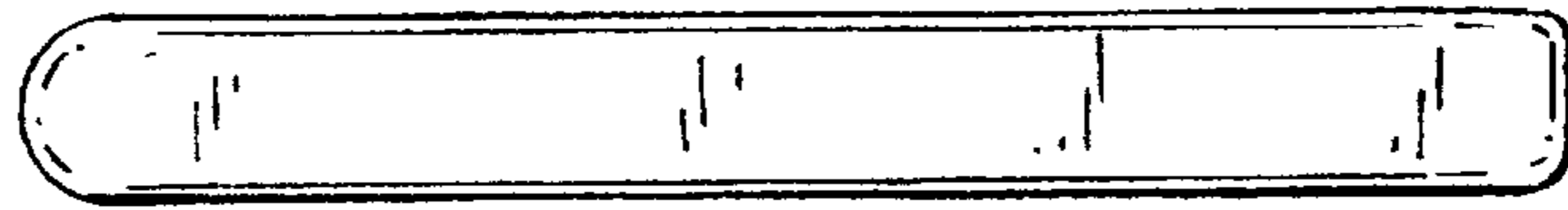


FIG. 5

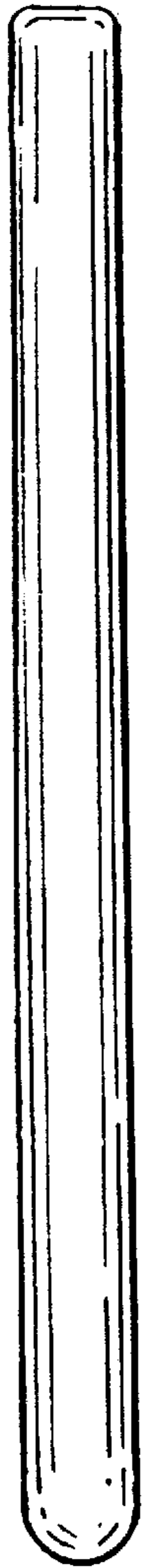


FIG. 3

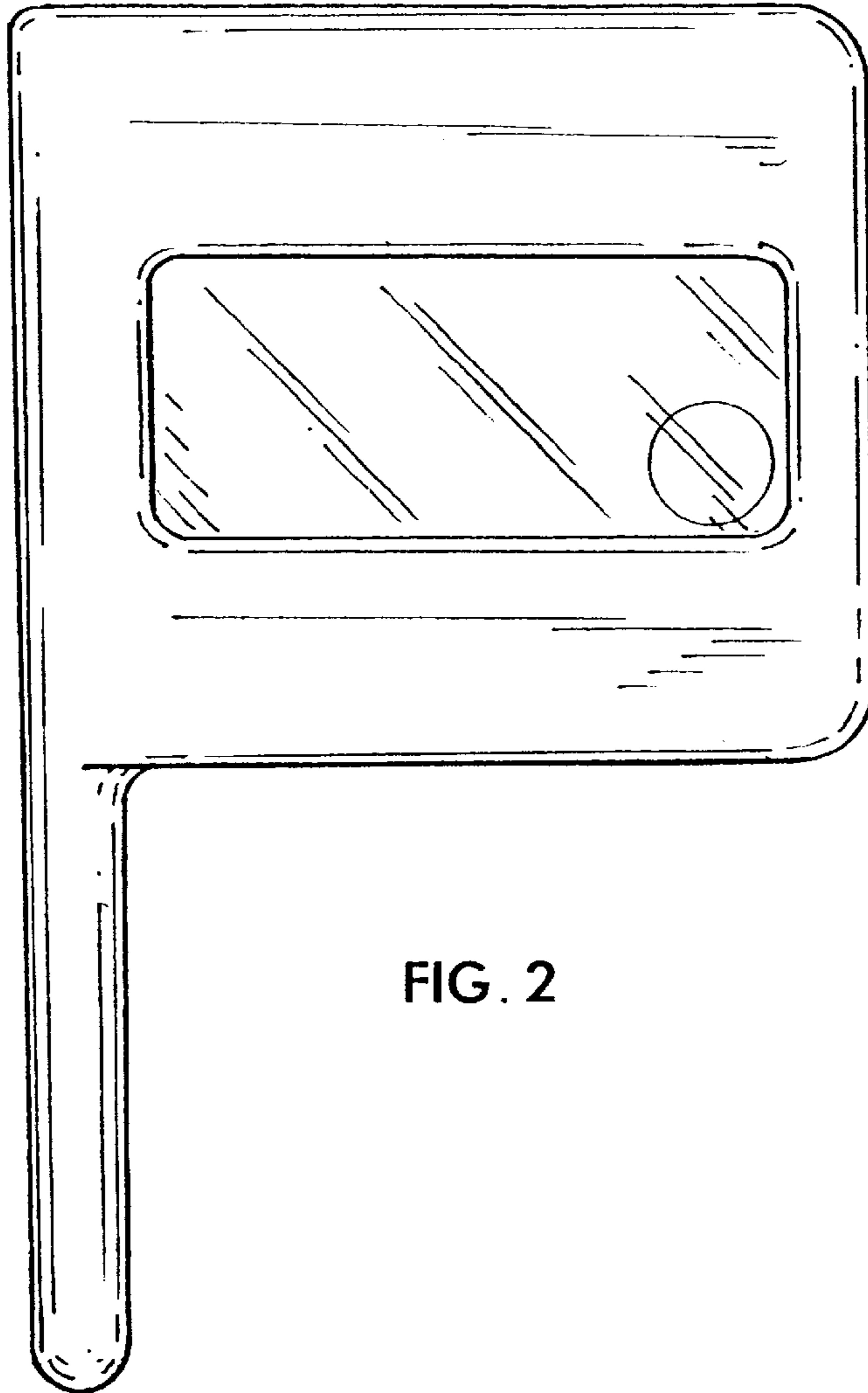


FIG. 2



FIG. 4

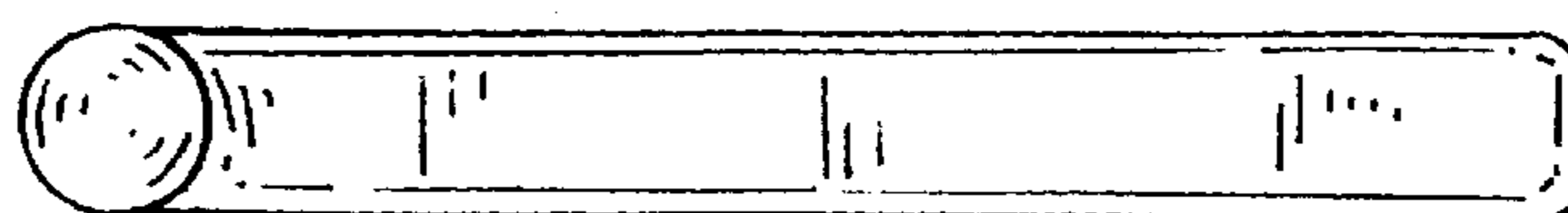


FIG. 6

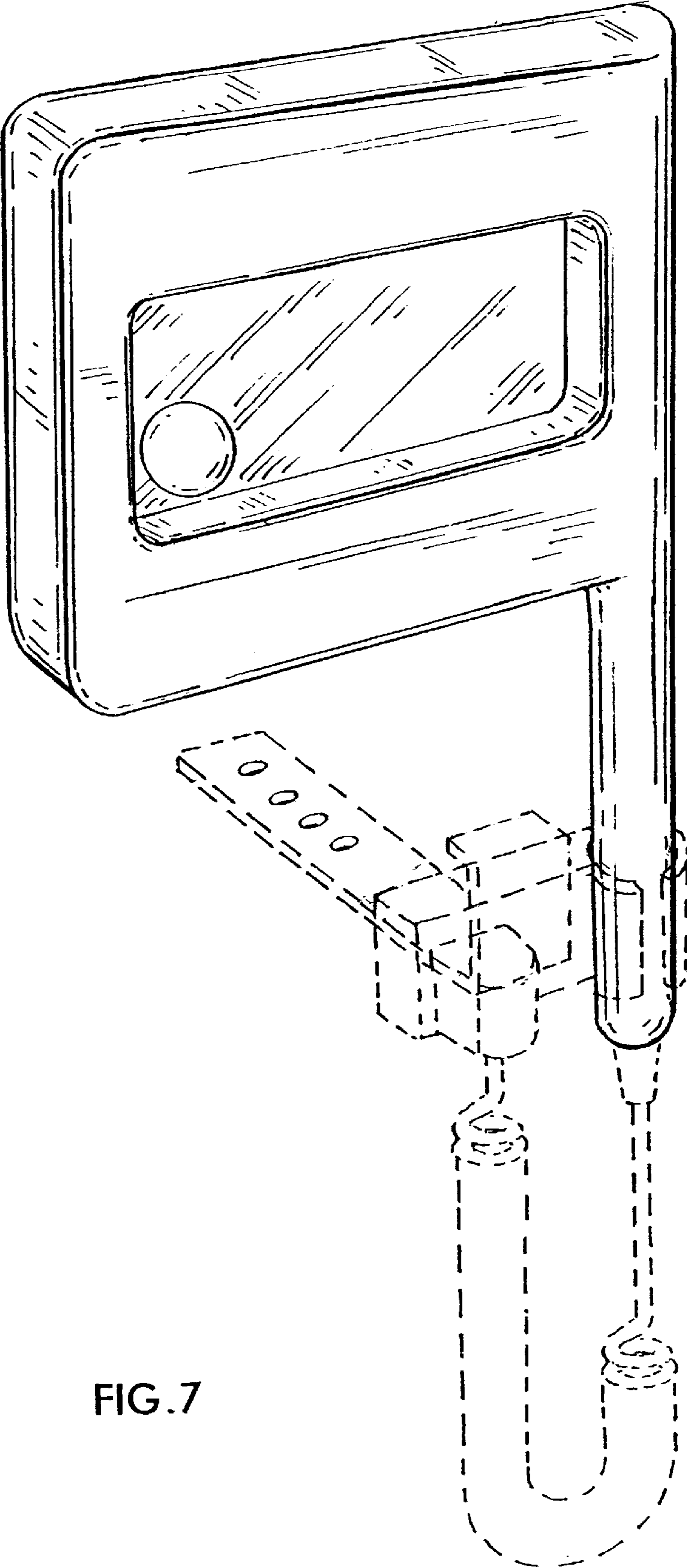


FIG. 7

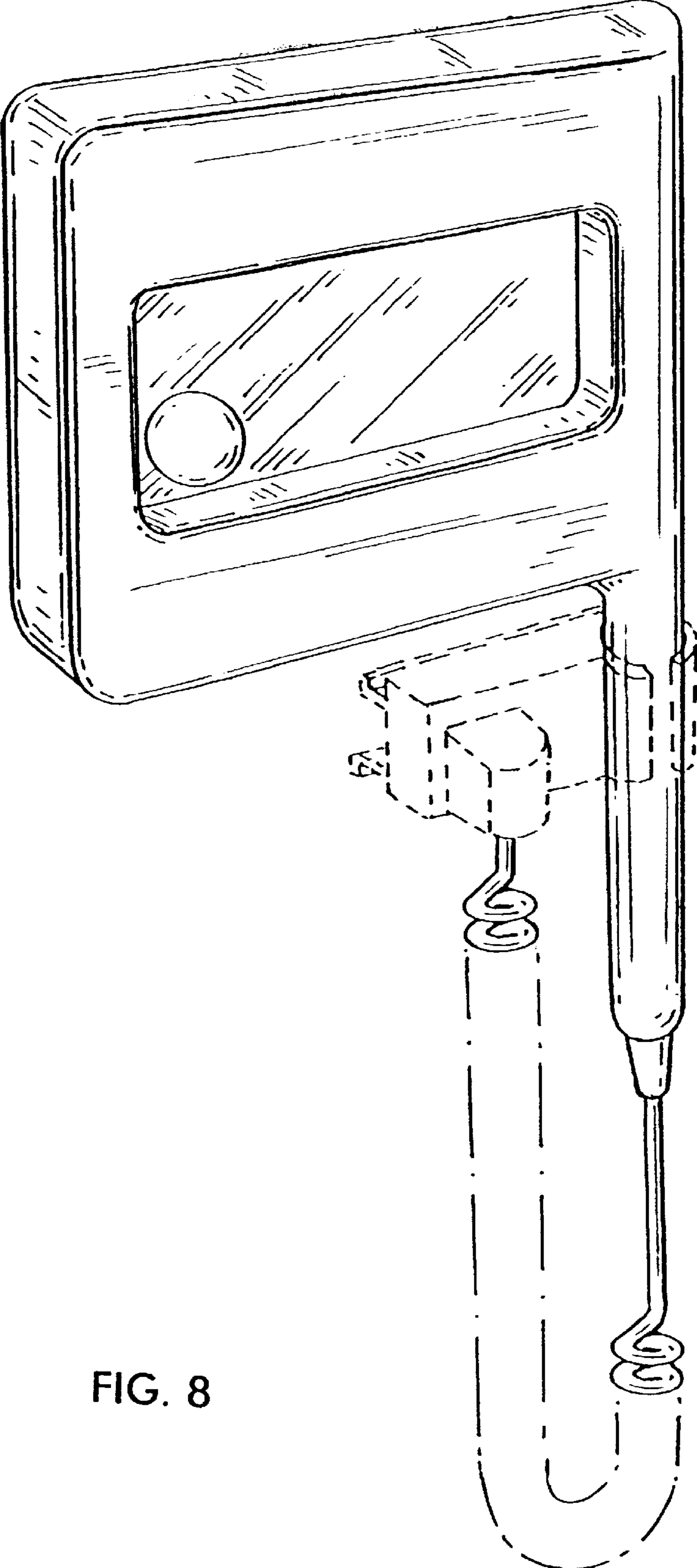


FIG. 8