



US00D517582S

(12) **United States Design Patent**
Oas

(10) **Patent No.:** **US D517,582 S**
(45) **Date of Patent:** **** Mar. 21, 2006**

(54) **LIGHTED MAGNIFIER**

(75) Inventor: **Daniel Oas**, Irwindale, CA (US)

(73) Assignee: **Calibre International LLC**, Irwindale, CA (US)

(**) Term: **14 Years**

(21) Appl. No.: **29/224,157**

(22) Filed: **Feb. 24, 2005**

(51) **LOC (8) Cl.** **16-06**

(52) **U.S. Cl.** **D16/135**

(58) **Field of Classification Search** D16/130,
D16/135; D3/207, 208, 209, 210; D19/36;
D8/99; D26/37, 38, 44, 51; 359/802, 803,
359/805, 808, 810, 811, 812, 237; 362/157,
362/158, 253, 109, 118

See application file for complete search history.

(56) **References Cited**

U.S. PATENT DOCUMENTS

D324,529 S * 3/1992 Moriyama D16/135
D336,655 S * 6/1993 Lee D16/135
D372,924 S * 8/1996 Fisherman D16/135
5,663,828 A * 9/1997 Knowles et al. 359/237
D443,370 S * 6/2001 Yu D26/37

D494,695 S * 8/2004 Oas D26/37
D497,377 S * 10/2004 Waggoner et al. D16/135
D503,005 S * 3/2005 Fujita D26/37

* cited by examiner

Primary Examiner—Paula A. Greene

(74) *Attorney, Agent, or Firm*—Brian Carpenter

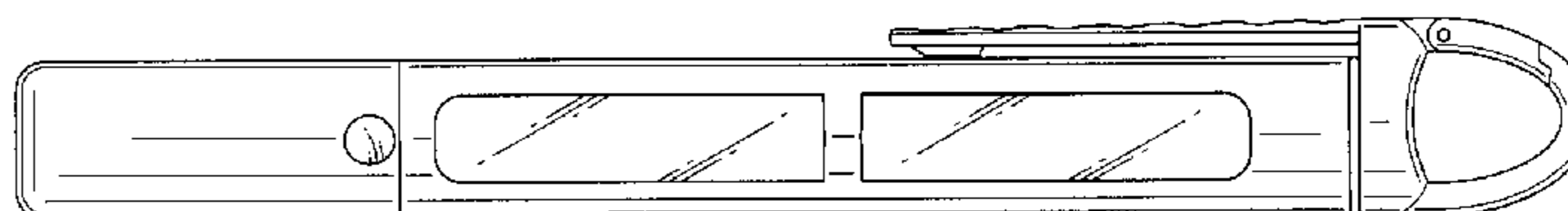
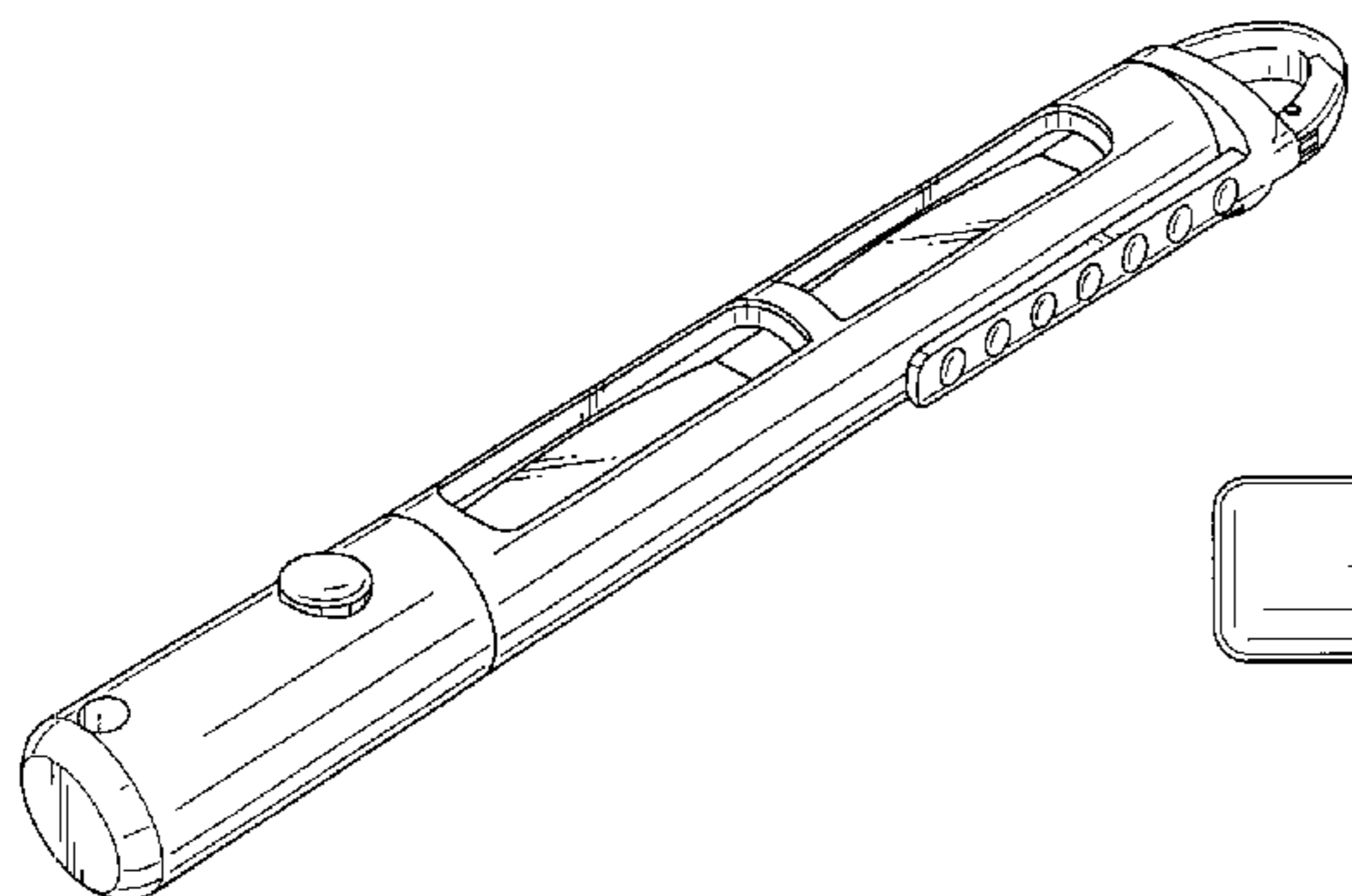
(57) **CLAIM**

The ornamental design for a lighted magnifier, as shown and described.

DESCRIPTION

FIG. 1 is a top front perspective view of a lighted magnifier; FIG. 2 is a front view of the lighted magnifier of FIG. 1; FIG. 3 is a right side elevation view of the lighted magnifier of FIG. 1; FIG. 4 is a left side elevation view of the lighted magnifier of FIG. 1; FIG. 5 is a rear view of the lighted magnifier of FIG. 1; FIG. 6 is a bottom plan view of the lighted magnifier of FIG. 1; FIG. 7 is a top plan view of the lighted magnifier of FIG. 1; and, FIG. 8 is a top front perspective view of an alternate position of the lighted magnifier of FIG. 1.

1 Claim, 3 Drawing Sheets



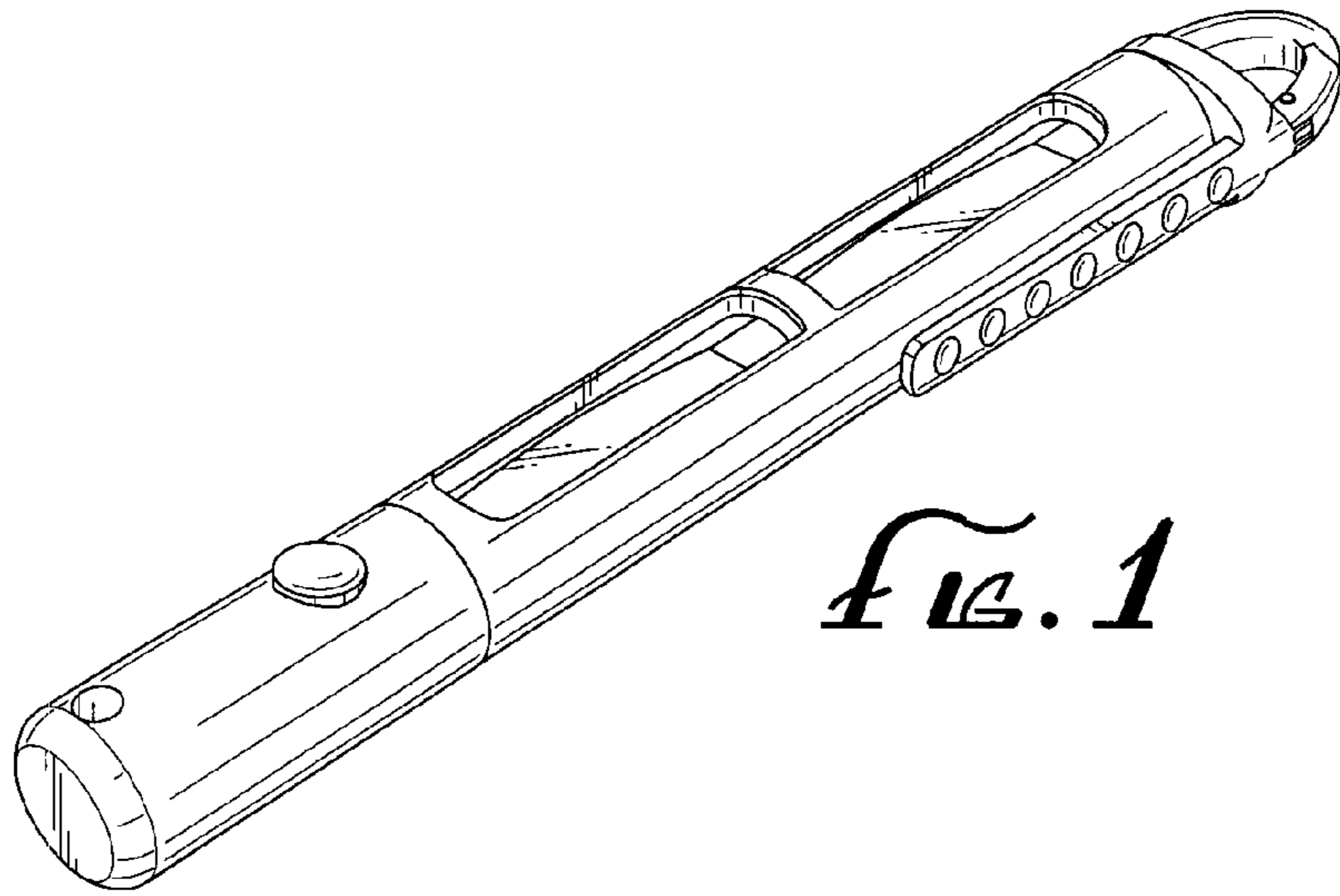


FIG. 1

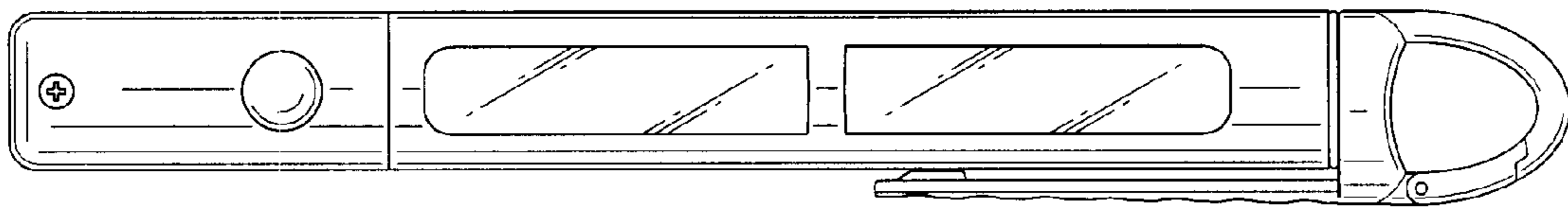


FIG. 2

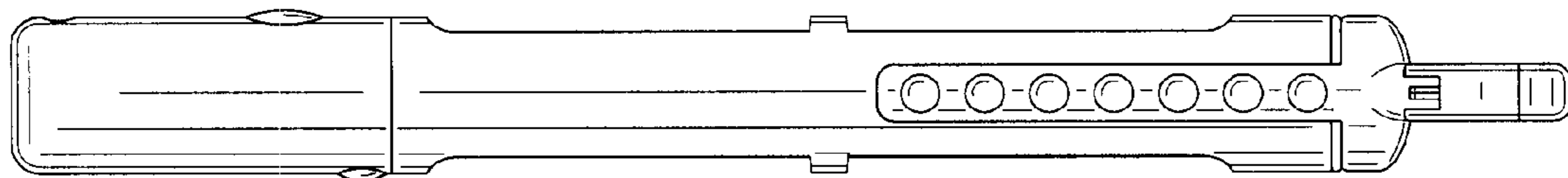


FIG. 3

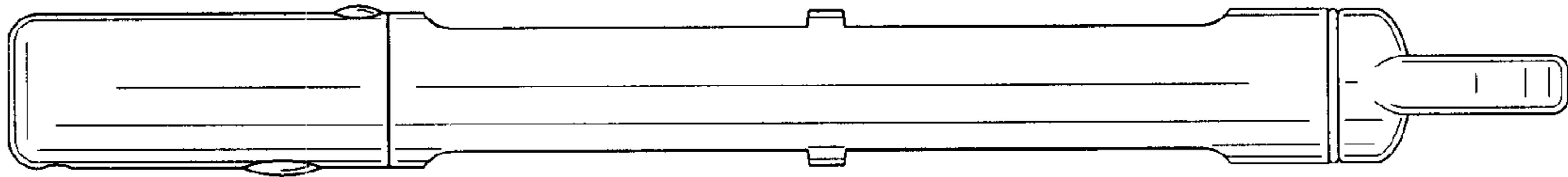


FIG. 4

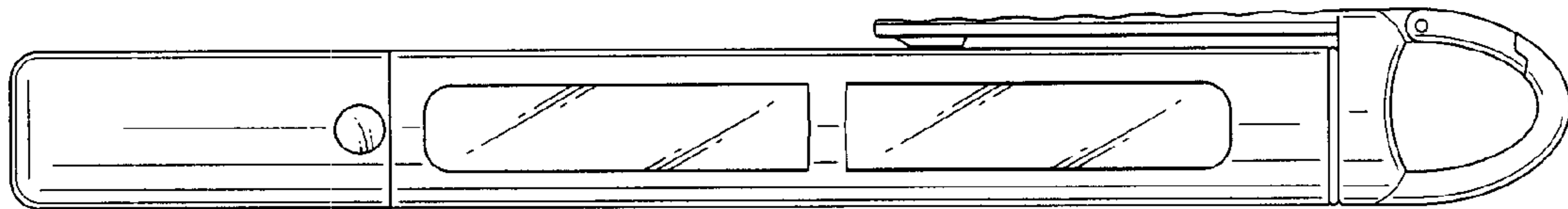


FIG. 5

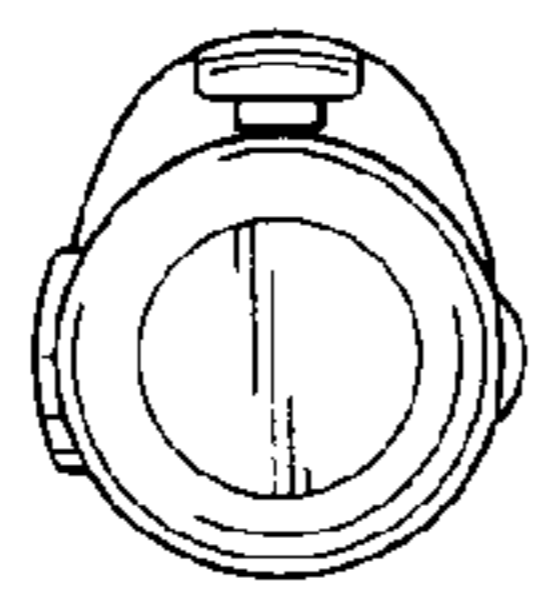


FIG. 6

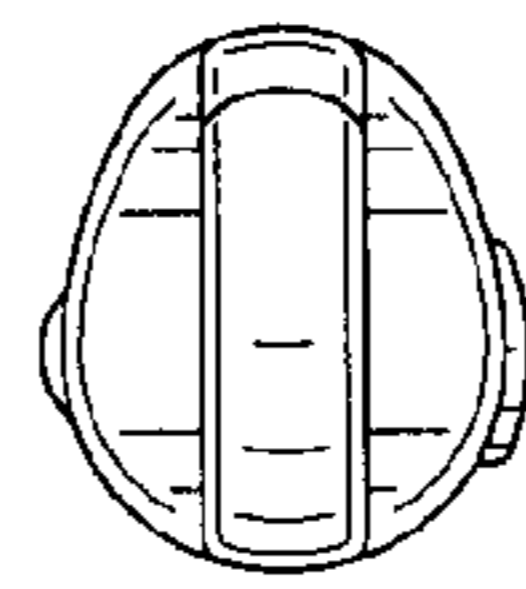


FIG. 7

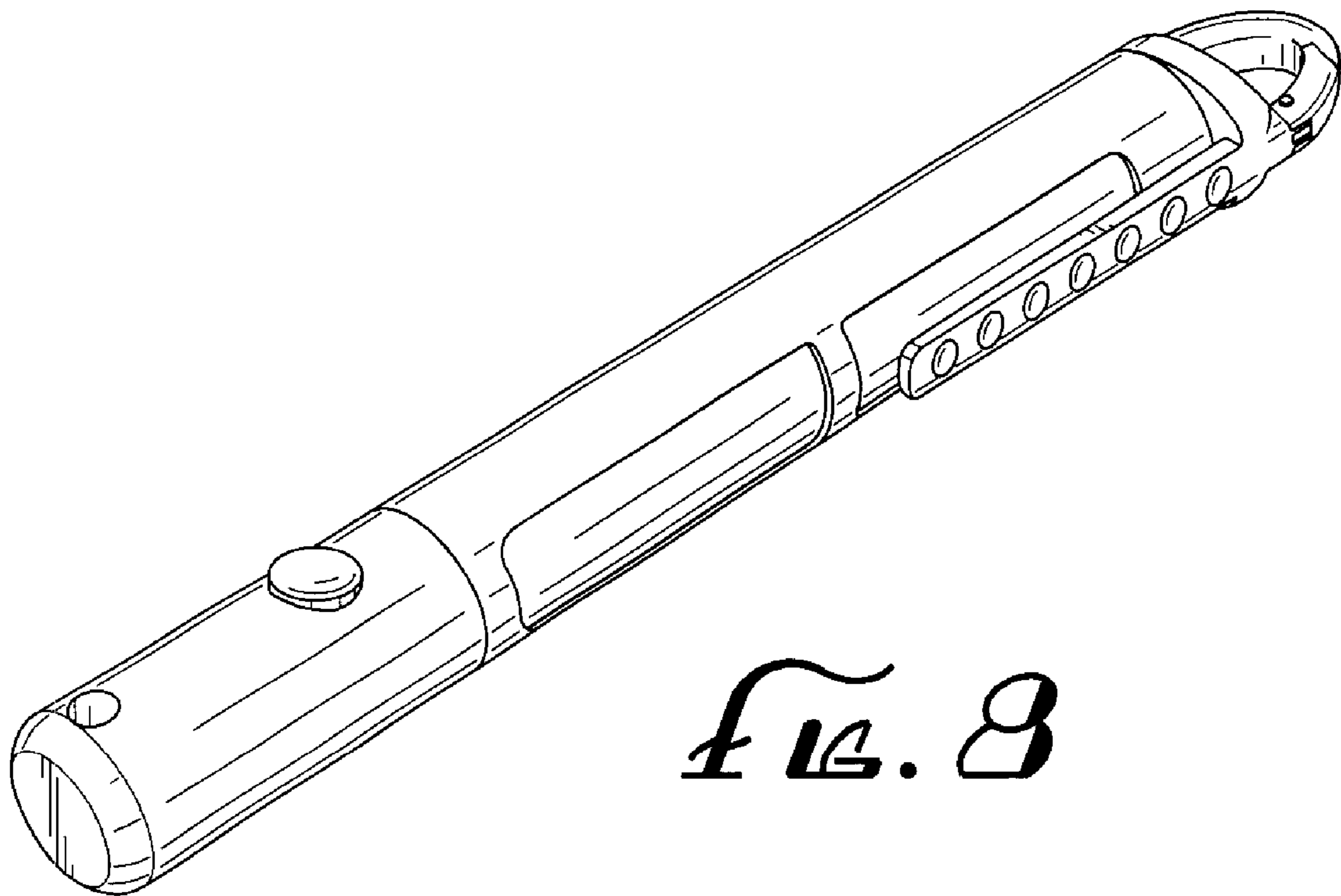


FIG. 8