



US00D517580S

(12) **United States Design Patent**
Mullet et al.

(10) **Patent No.: US D517,580 S**
(45) **Date of Patent: ** Mar. 21, 2006**

(54) **OPERATOR FOR UPWARDLY ACTING DOOR**

D472,910 S 4/2003 Mullet et al. D15/199
D473,573 S 4/2003 Mullet et al. D15/199
D473,574 S 4/2003 Mullet et al. D15/199
D474,215 S 5/2003 Mullet et al. D15/199

(75) Inventors: **Willis J. Mullet**, Gulf Breeze, FL (US);
Donald B. Kyle, Pace, FL (US)

FOREIGN PATENT DOCUMENTS

(73) Assignee: **Wayne-Dalton Corp.**, Mt. Hope, OH (US)

EP 0 939 189 A2 2/1999

(**) Term: **14 Years**

OTHER PUBLICATIONS

(21) Appl. No.: **29/203,922**

International Door & Operator Industry, Summer 1998, cover and p. 133.

(22) Filed: **Apr. 21, 2004**

Primary Examiner—Antoine D. Davis

(51) **LOC (8) Cl.** **15-99**

(52) **U.S. Cl.** **D15/199**

(58) **Field of Classification Search** D15/199;
49/26, 139, 199, 280, 362

(74) *Attorney, Agent, or Firm*—Renner, Kenner, Greive, Bobak, Taylor & Weber

See application file for complete search history.

(57) **CLAIM**

The ornamental design for an operator for upwardly acting door, as shown and described.

(56) **References Cited**

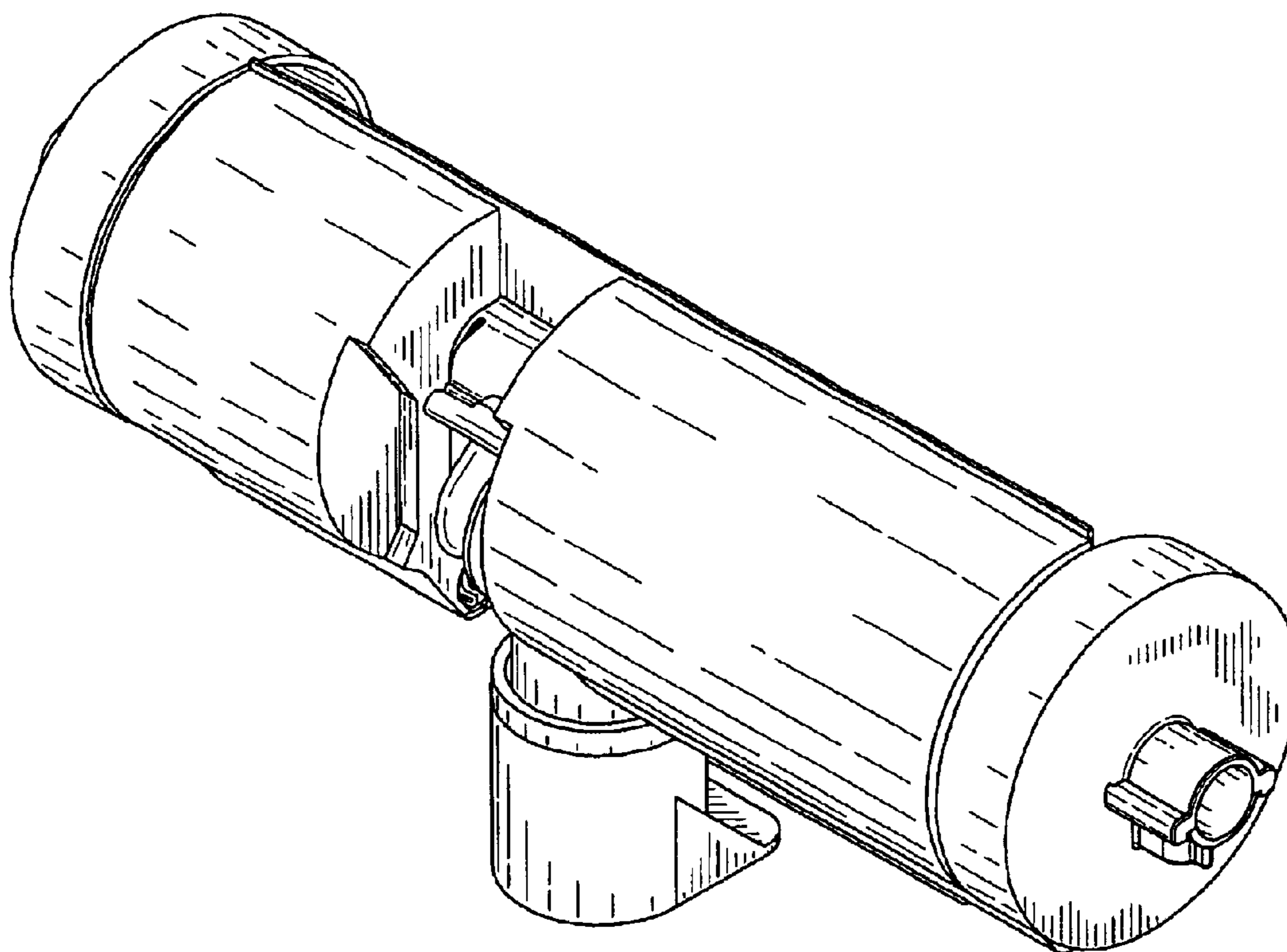
DESCRIPTION

U.S. PATENT DOCUMENTS

4,167,833 A	9/1979	Farina et al.	49/199
5,698,073 A	12/1997	Vincenzi	160/188
D402,300 S	12/1998	Doppelt et al.	D15/199
D413,055 S	8/1999	Mullet et al.	D8/330
D432,551 S	10/2000	Luke	D15/199
D434,054 S	11/2000	Luke	D15/199
D434,785 S	12/2000	Luke	D15/199
D466,141 S	11/2002	Mullet et al.	D15/148
D472,568 S	4/2003	Mullet et al.	D15/199

FIG. 1 is a top, front, right end perspective view of an operator for upwardly acting door showing our new design; FIG. 2 is a top plan view thereof; FIG. 3 is a front side elevational view thereof; FIG. 4 is a bottom plan view thereof; FIG. 5 is an rear side elevational view thereof; FIG. 6 is a left end elevational view thereof; and, FIG. 7 is a right end elevational view thereof.

1 Claim, 4 Drawing Sheets



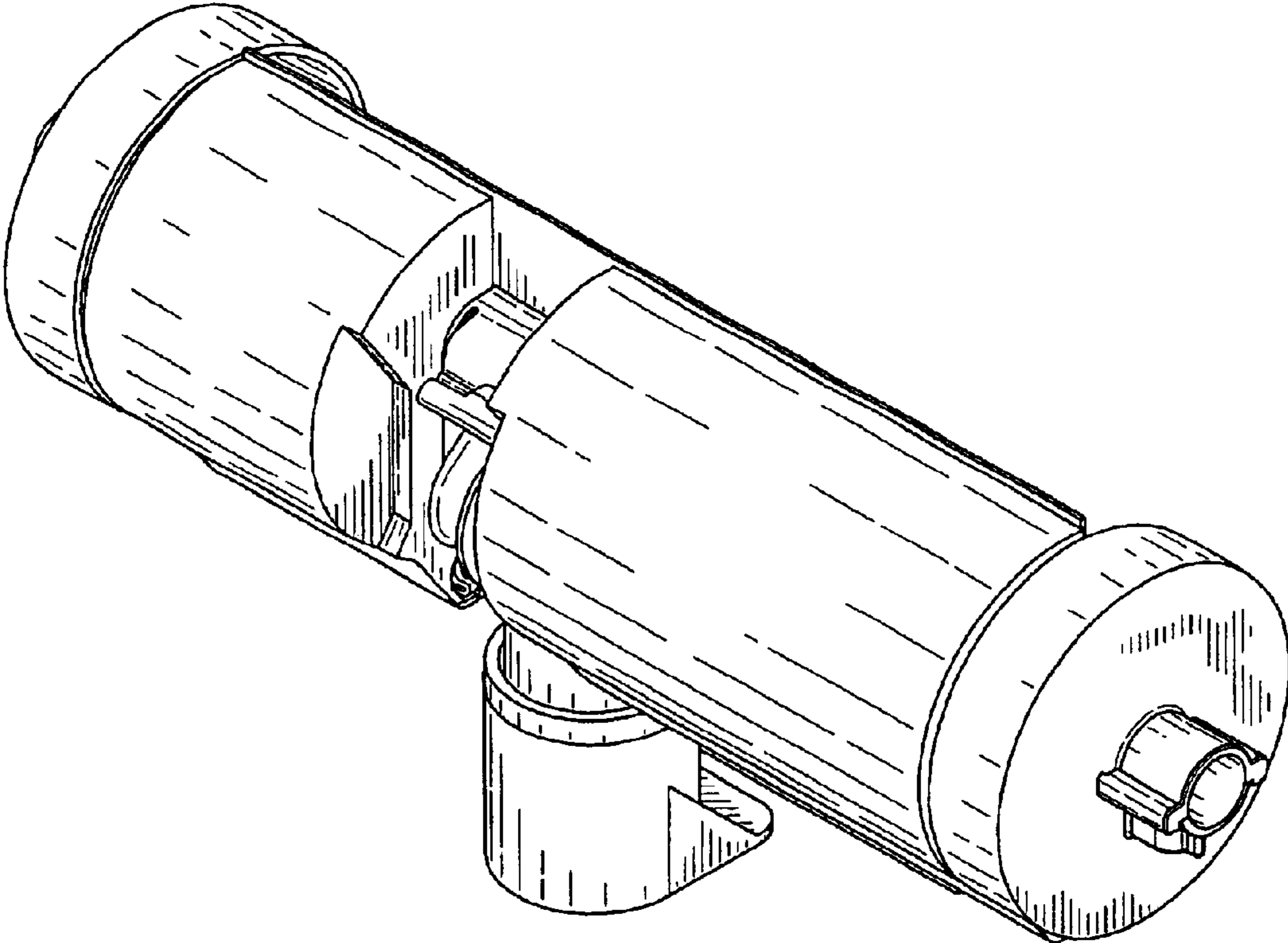


FIG-1

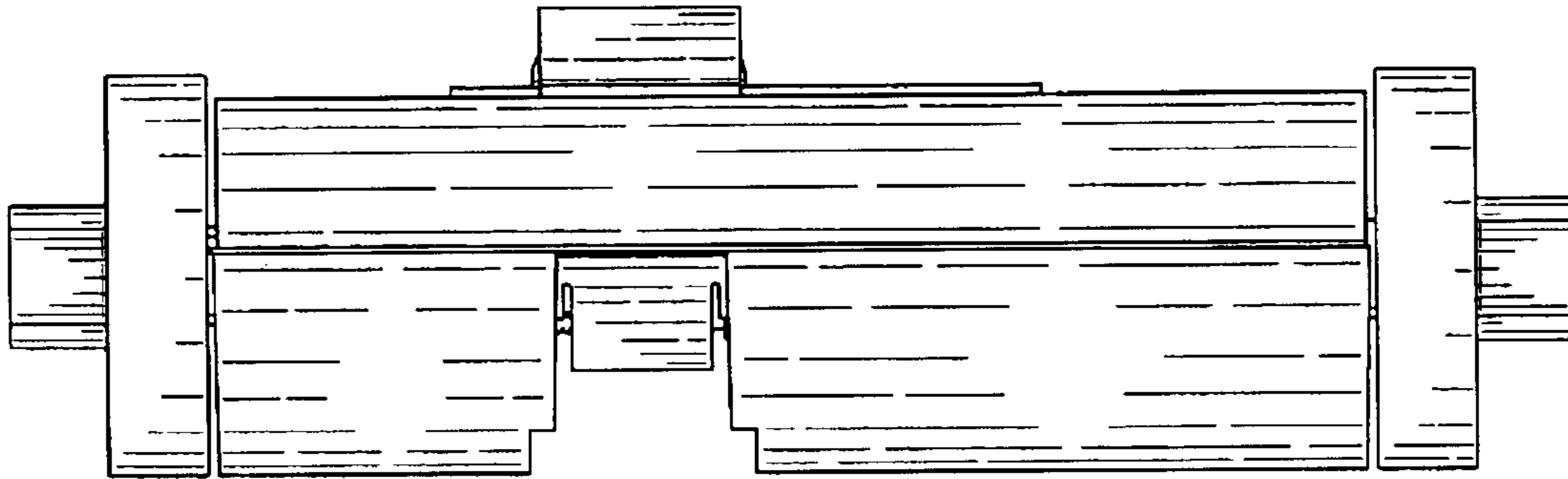


FIG-2

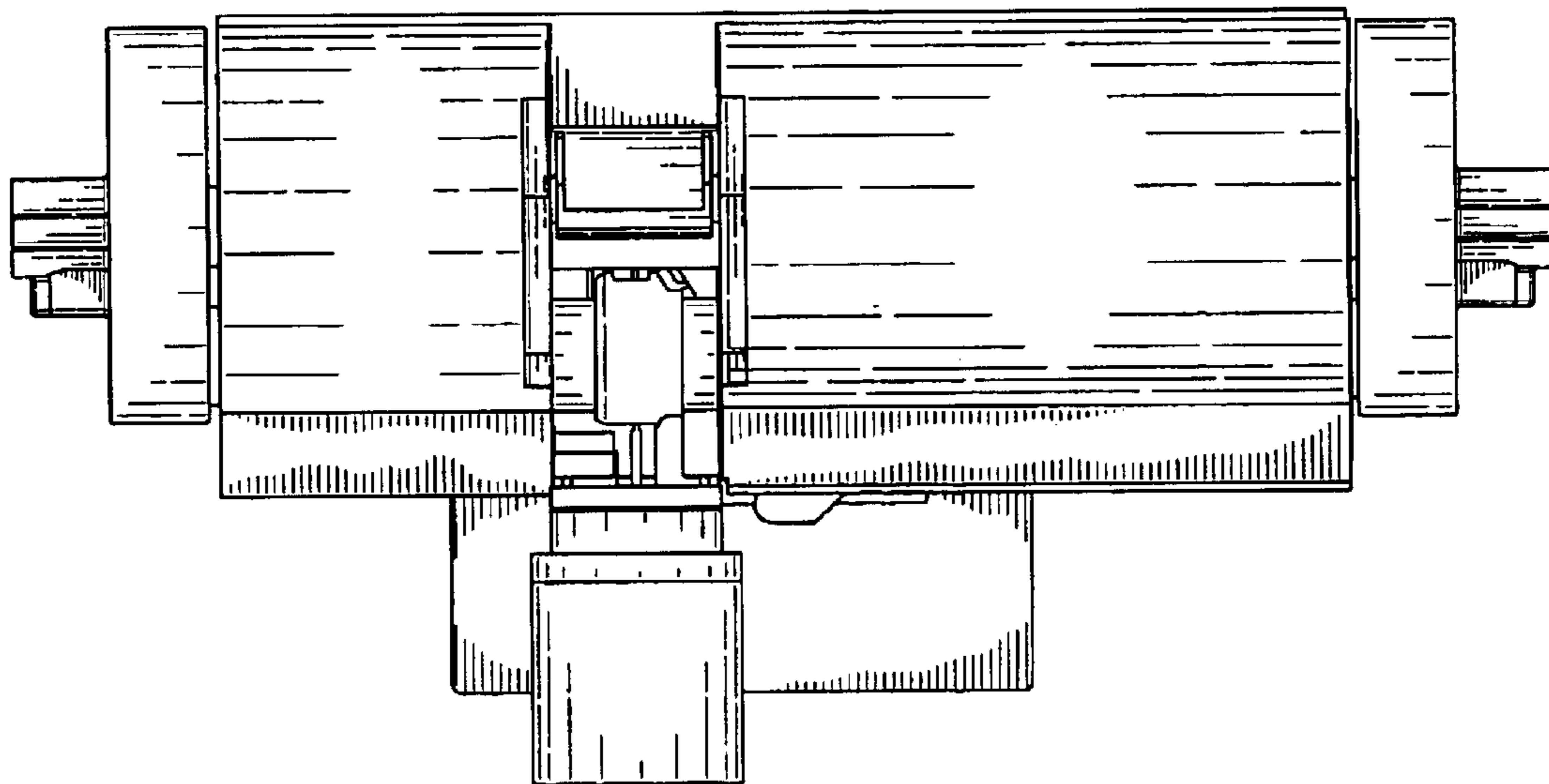


FIG-3

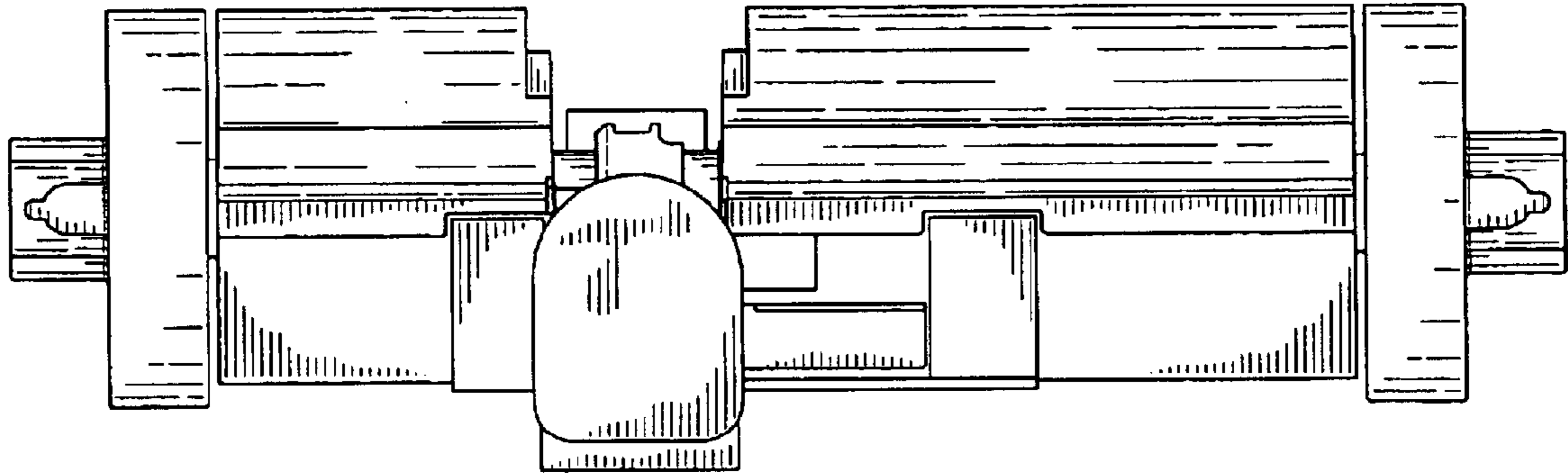


FIG-4

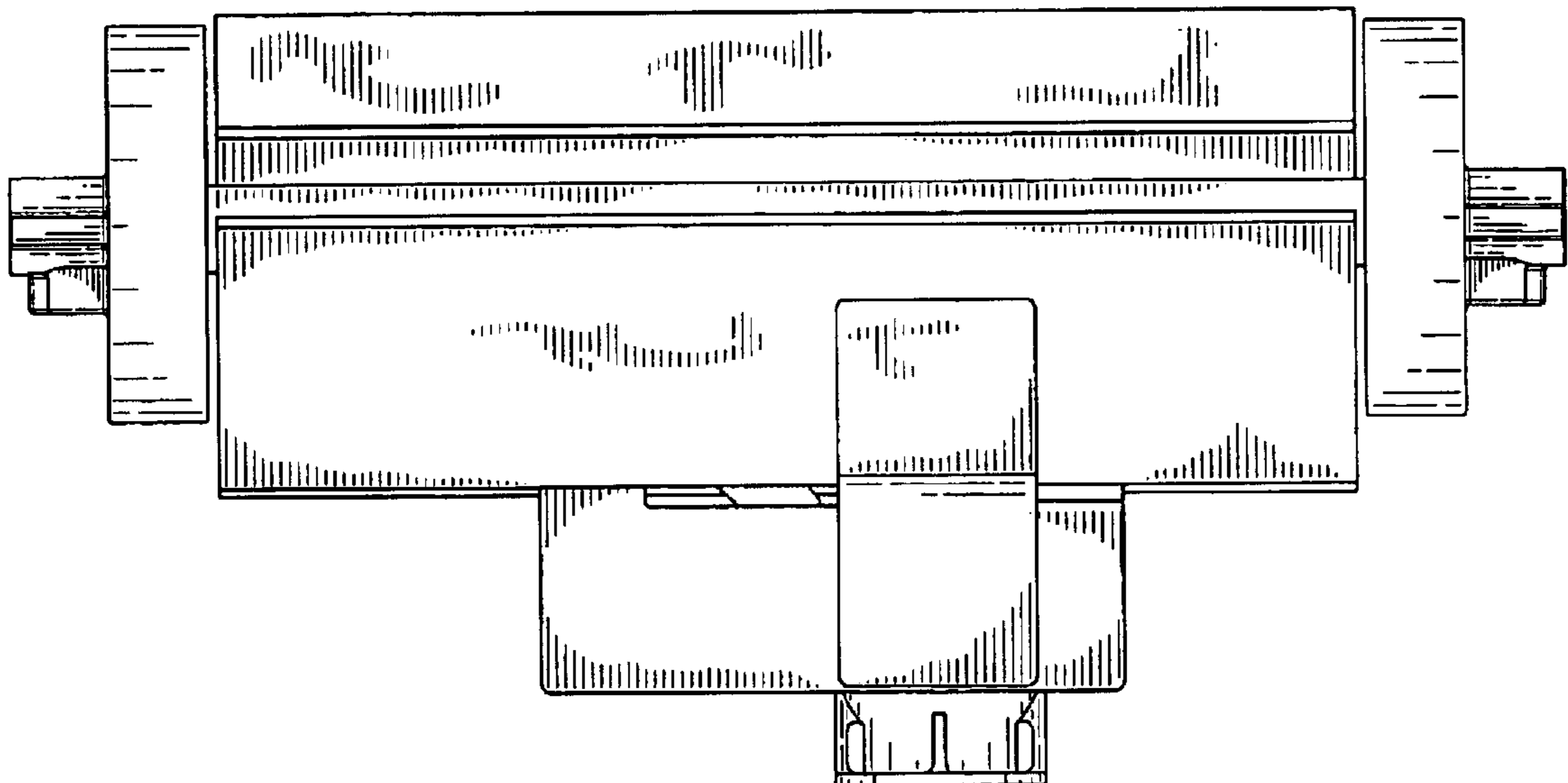


FIG-5

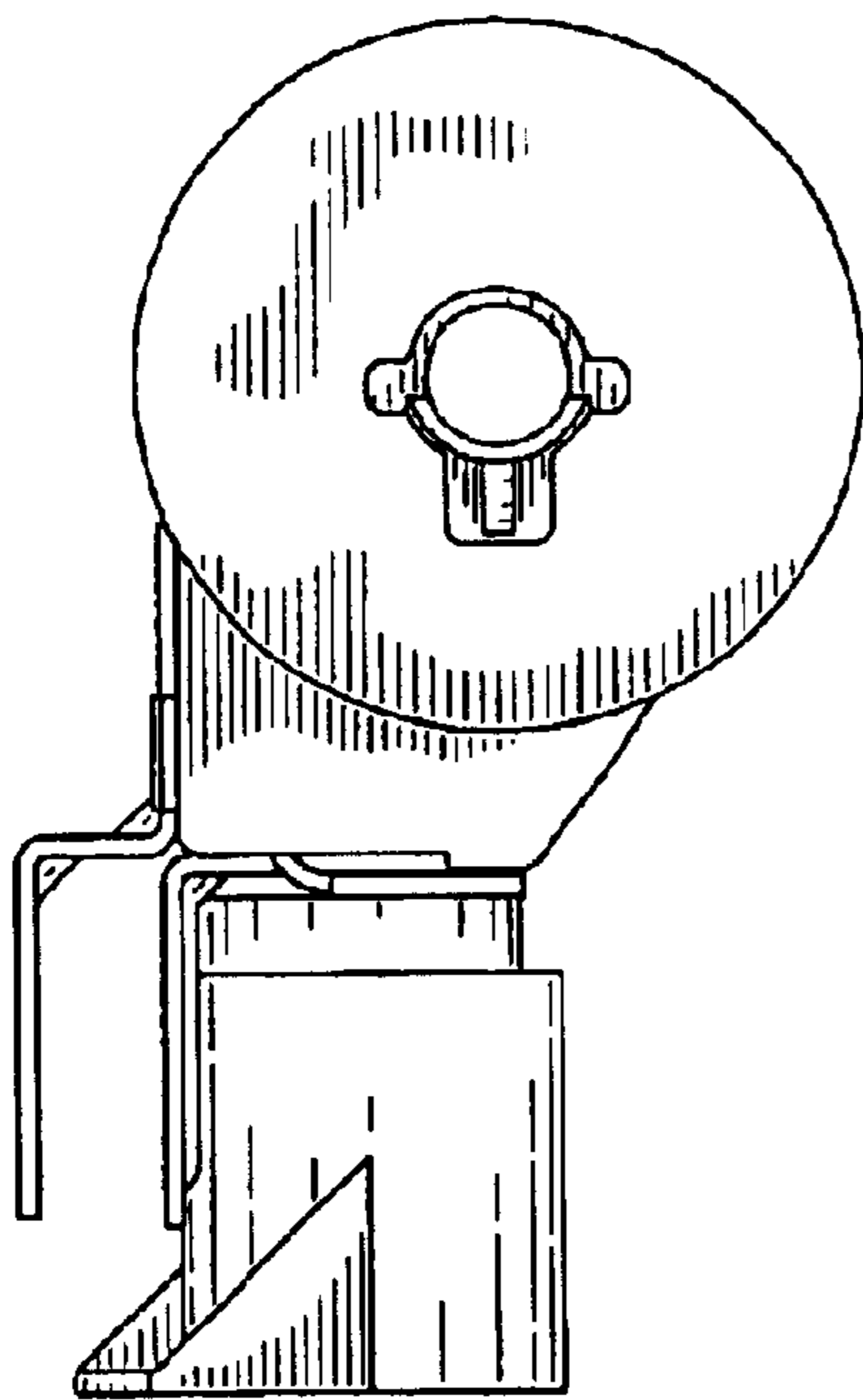


FIG-6

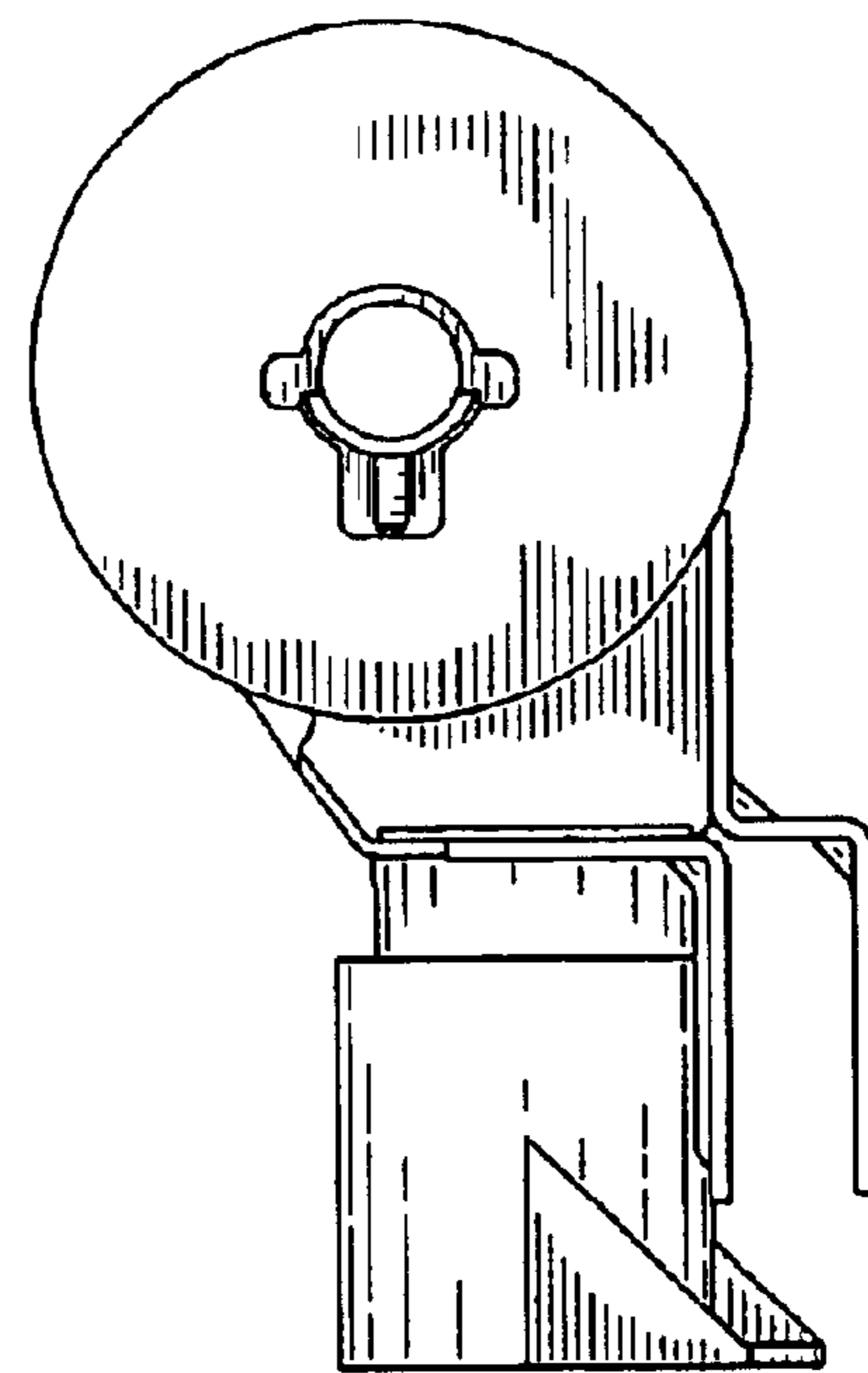


FIG-7