



US00D517579S

(12) **United States Design Patent**  
**Frank**

(10) **Patent No.:** **US D517,579 S**  
(45) **Date of Patent:** **\*\* Mar. 21, 2006**

(54) **OIL MEASURING AND DISPENSING CONTAINER**

(76) **Inventor:** **William J. Frank**, 26741 Portola Pkwy., Suite 1E-272, Foothill Ranch, CA (US) 92610

(\*\*) **Term:** **14 Years**

(21) **Appl. No.:** **29/210,887**

(22) **Filed:** **Aug. 6, 2004**

(51) **LOC (8) Cl.** ..... **15-09**

(52) **U.S. Cl.** ..... **D15/150**

(58) **Field of Classification Search** ..... D15/150-151; 141/1-64, 70, 234, 247, 250, 285-387, 311 R, 141/391, 323, 313-317; 184/1.5, 2, 3.1, 4-5.1, 184/6, 14-28, 38.1; 222/3, 23, 211, 41-50, 222/460-462, 464.1-464.7, 71-73, 92-107, 222/566-574

See application file for complete search history.

(56) **References Cited**

**U.S. PATENT DOCUMENTS**

940,572 A \* 11/1909 Agner ..... 222/391

982,661 A \* 1/1911 Dickens ..... 222/387  
2,265,674 A \* 12/1941 Spencer et al. .... 141/309  
4,899,909 A \* 2/1990 Summons et al. .... 222/25  
D428,029 S \* 7/2000 Faughnder et al. .... D15/150  
6,244,309 B1 \* 6/2001 Martin ..... 141/39  
6,701,978 B1 \* 3/2004 Buchanan ..... 141/86

\* cited by examiner

*Primary Examiner*—Antoine D. Davis

*Assistant Examiner*—Patricia Palasik

(74) *Attorney, Agent, or Firm*—Stetina Brunda Garred & Brucker

(57) **CLAIM**

The ornamental design for a oil measuring and dispensing container, as shown and described.

**DESCRIPTION**

FIG. 1 is a front view of the oil measuring and dispensing container of the present invention showing my new design; FIG. 2 is a side elevational view thereof; FIG. 3 is a top plan view thereof; FIG. 4 is a bottom plan view thereof; and, FIG. 5 is an exploded front elevation view thereof.

**1 Claim, 3 Drawing Sheets**

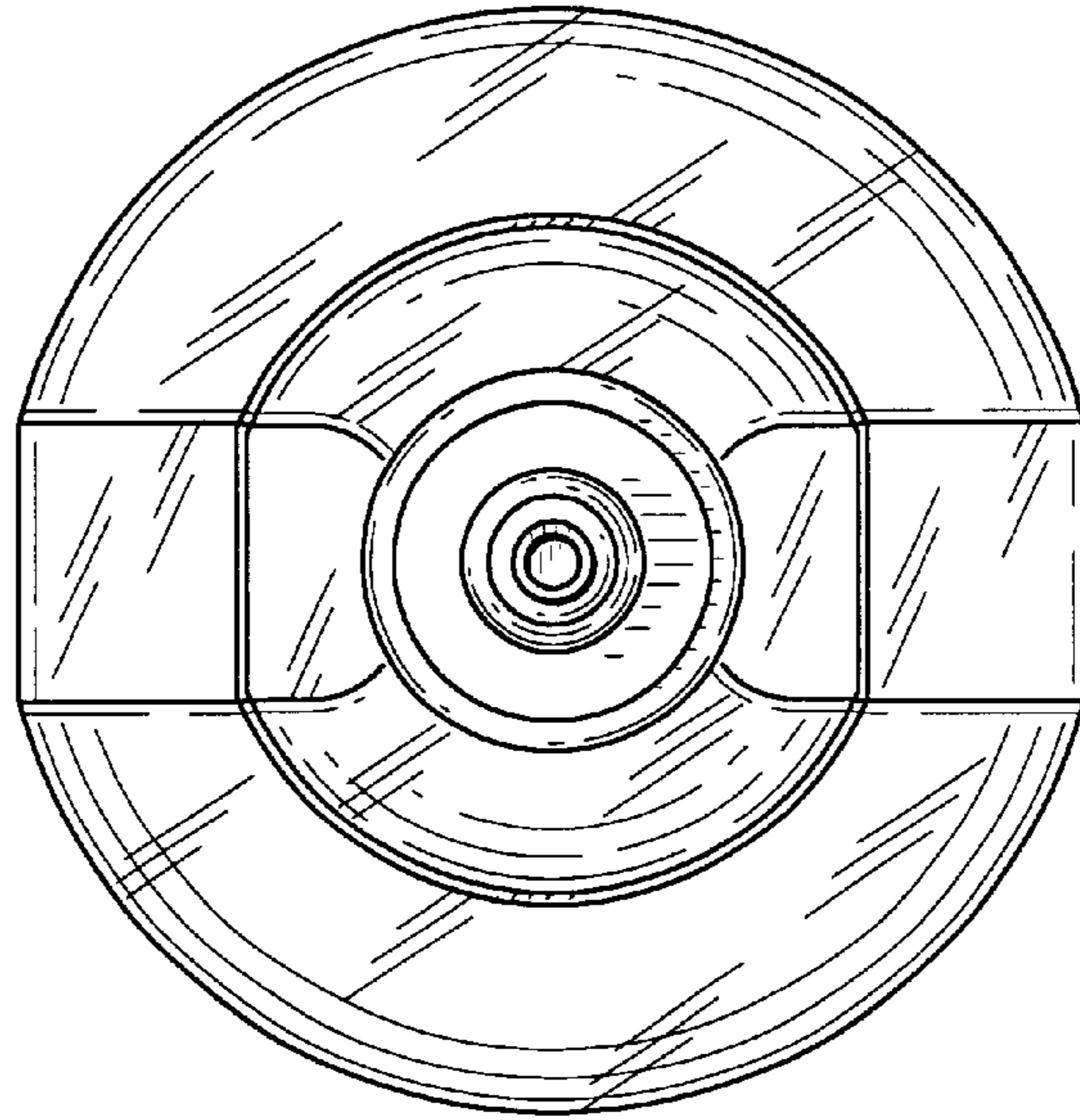


*Fig. 1*

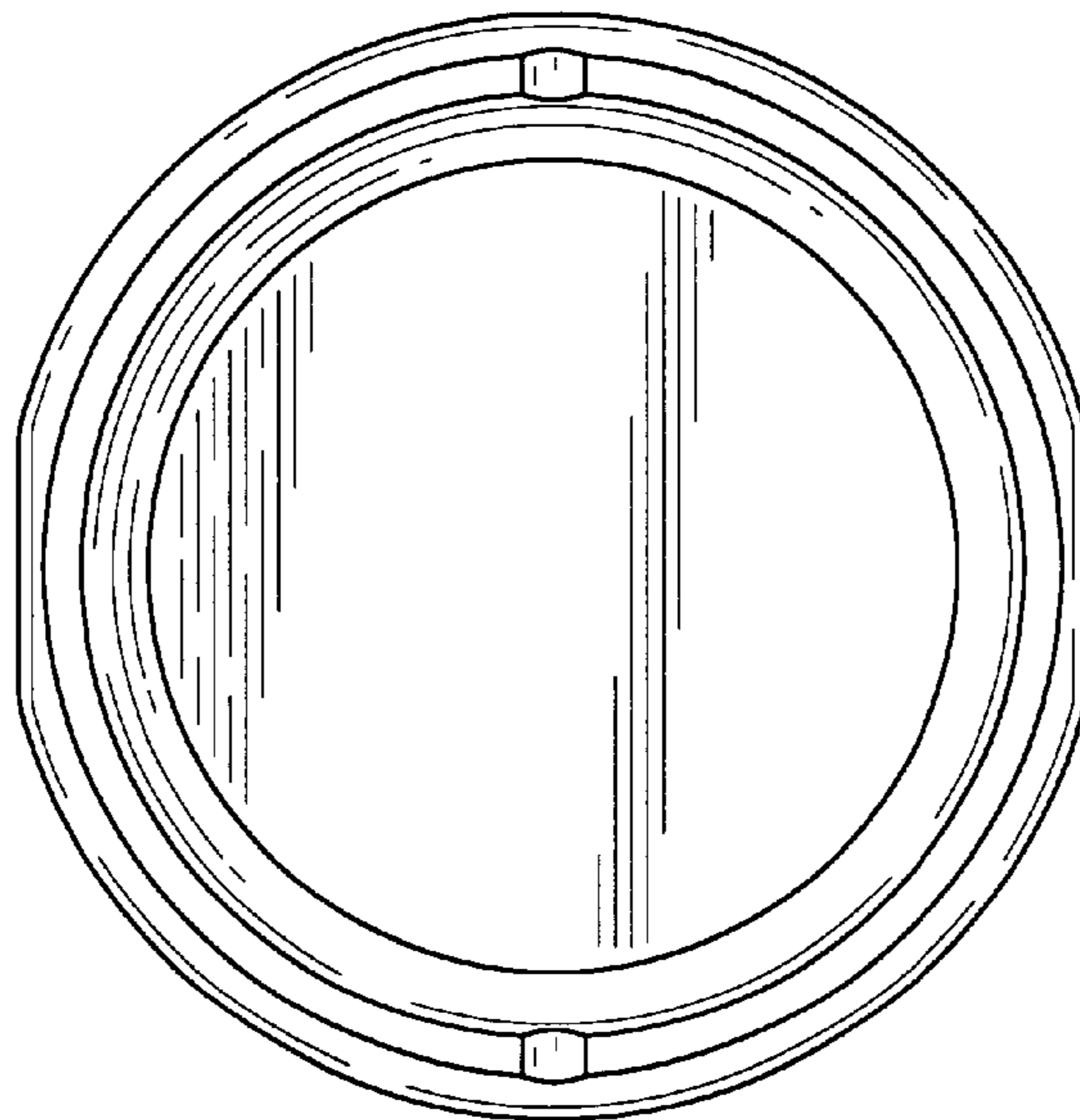


*Fig. 2*





*Fig. 3*



*Fig. 4*

