



US00D517578S

(12) **United States Design Patent**
Vander Tuin et al.

(10) **Patent No.:** **US D517,578 S**
(45) **Date of Patent:** **** Mar. 21, 2006**

(54) **SHROUD FOR A HEAT TUNNEL OR THE LIKE**

6,648,634 B1 * 11/2003 Nava 432/121
2004/0123566 A1 * 7/2004 Limousin 53/442

(75) Inventors: **Bradley Jon Vander Tuin**, Alexandria, MN (US); **Paul Howard Wagner**, Alexandria, MN (US)

* cited by examiner

(73) Assignee: **Douglas Machine, Inc.**, St. Cloud, MN (US)

Primary Examiner—Antoine D. Davis
(74) *Attorney, Agent, or Firm*—Nelson R. Capes; Briggs and Morgan, P.A.

(**) Term: **14 Years**

(57) **CLAIM**

(21) Appl. No.: **29/227,609**

The ornamental design for a shroud for a heat tunnel or the like, as shown and described.

(22) Filed: **Apr. 13, 2005**

DESCRIPTION

Related U.S. Application Data

(63) Continuation of application No. 10/680,538, filed on Oct. 7, 2003.

FIG. 1 is a perspective view showing our new design;

(51) **LOC (8) Cl.** **15-09**

FIG. 2 is a perspective view;

(52) **U.S. Cl.** **D15/145**

FIG. 3 is an end view;

(58) **Field of Classification Search** D15/145-146;
53/66, 504, 553, 557; 432/432

FIG. 4 is a side elevational view; and,

See application file for complete search history.

FIG. 5 is a top plan view.

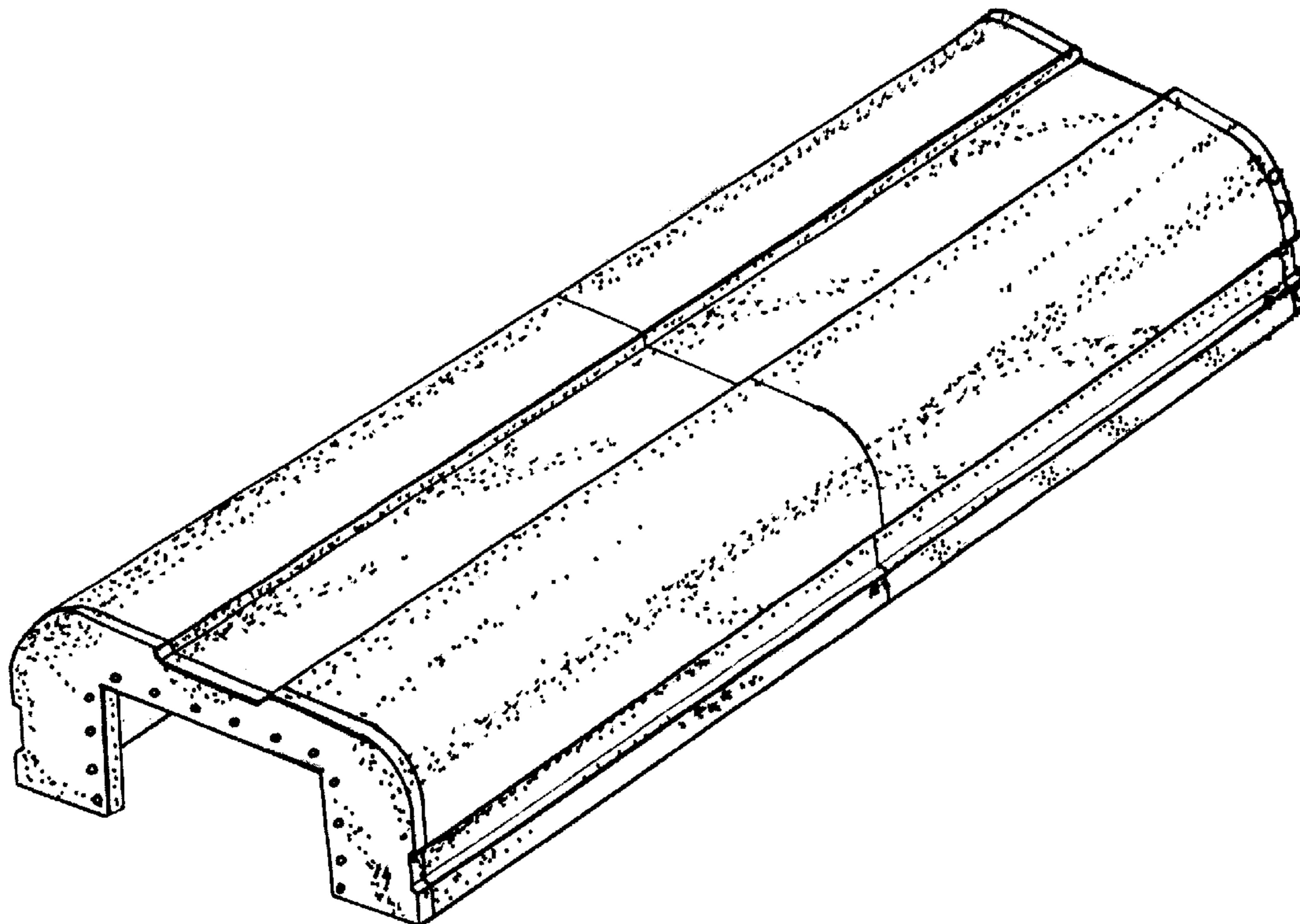
The broken line drawings of FIG. 2 are for illustrative purposes only to show environment and form no part of the claimed design.

(56) **References Cited**

U.S. PATENT DOCUMENTS

D481,049 S * 10/2003 Limousin D15/145

1 Claim, 2 Drawing Sheets



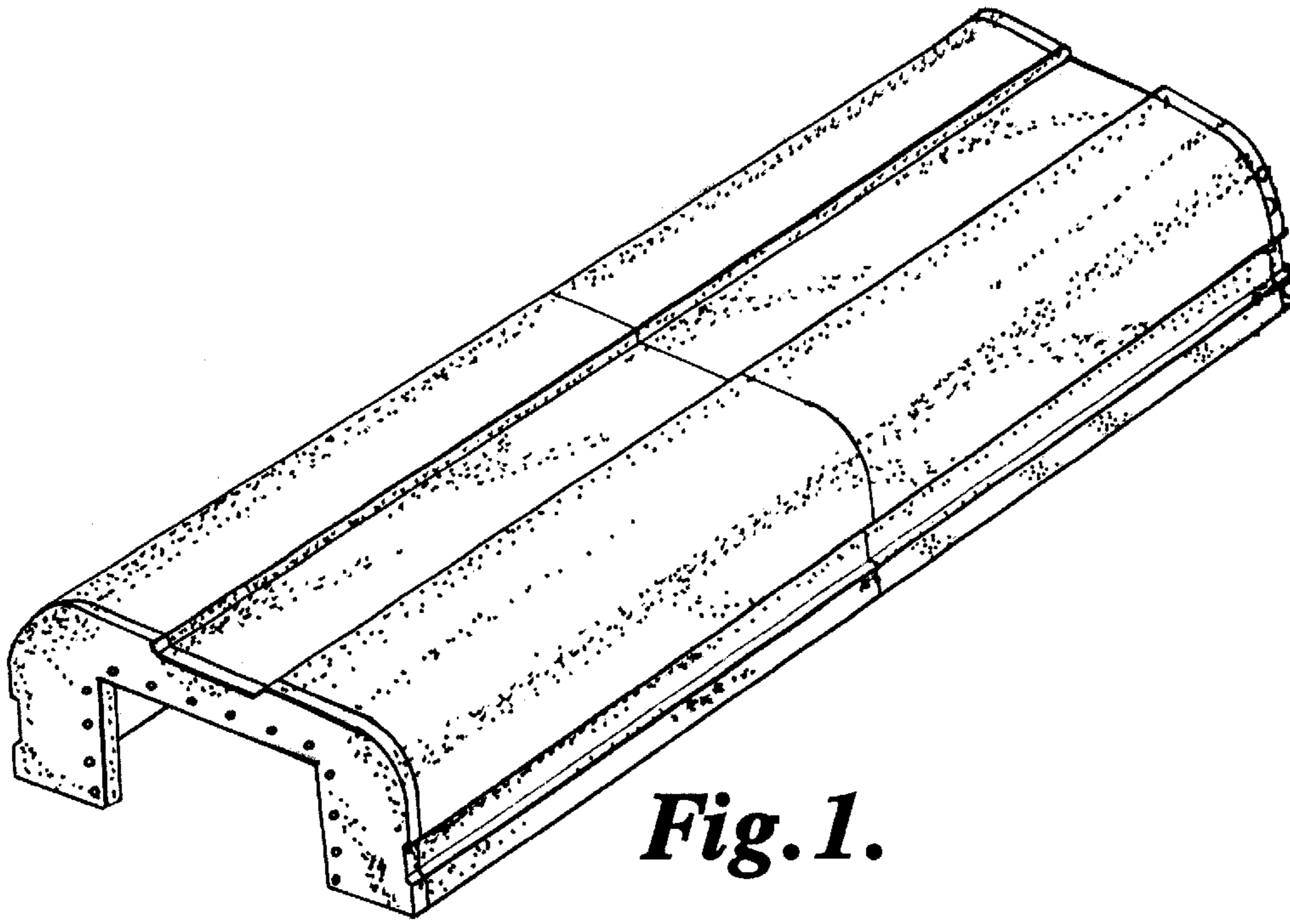


Fig. 1.

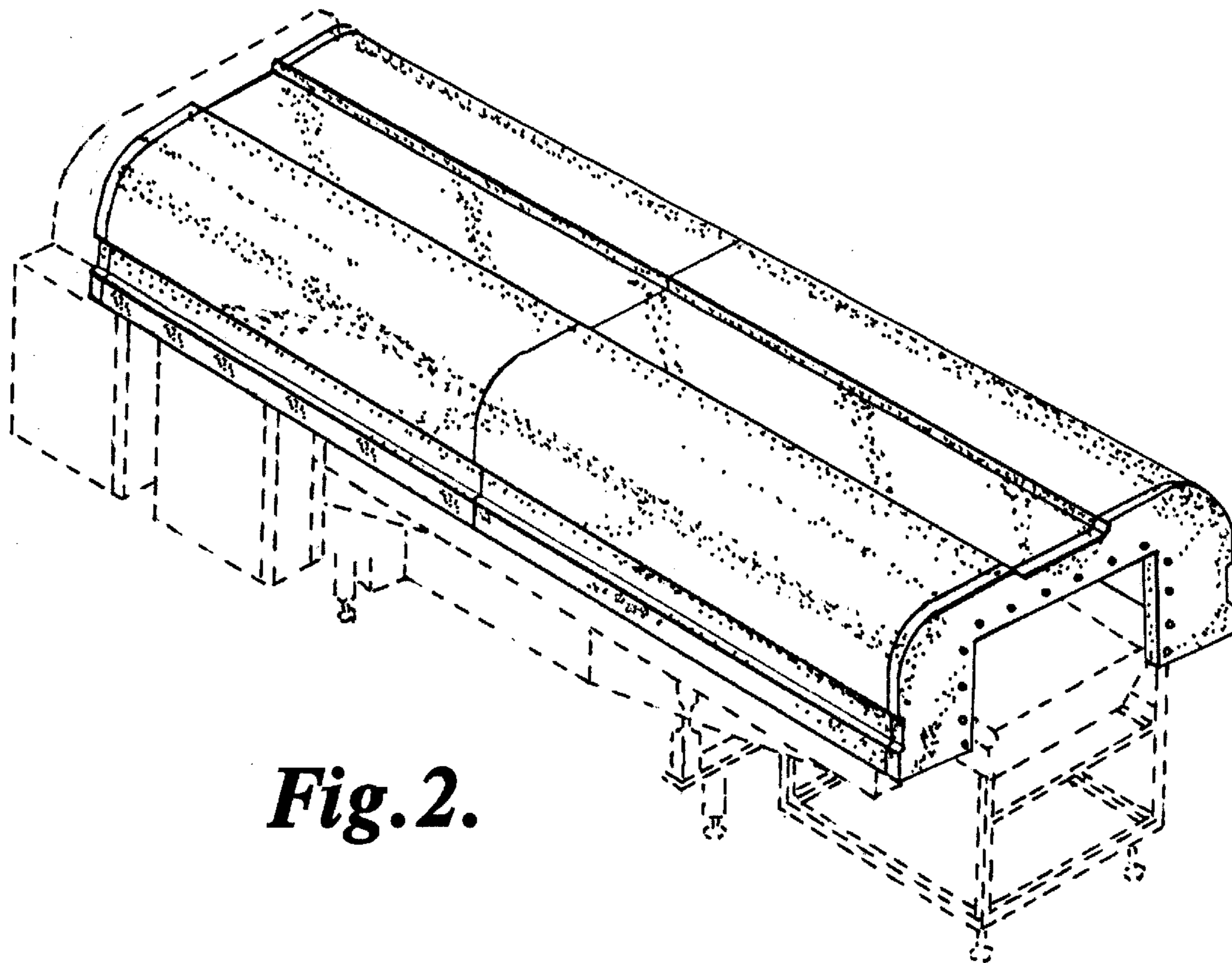


Fig. 2.

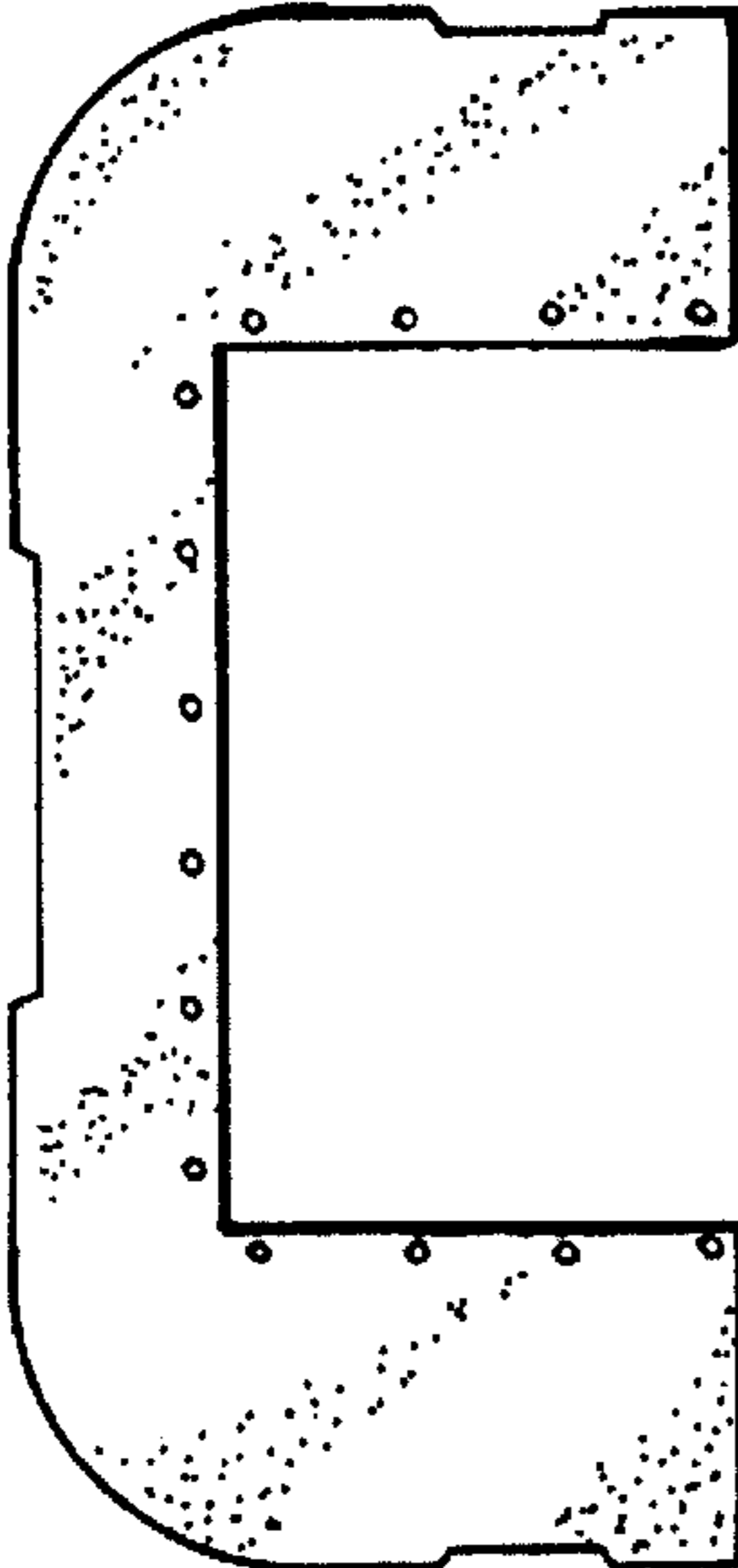


Fig. 3.

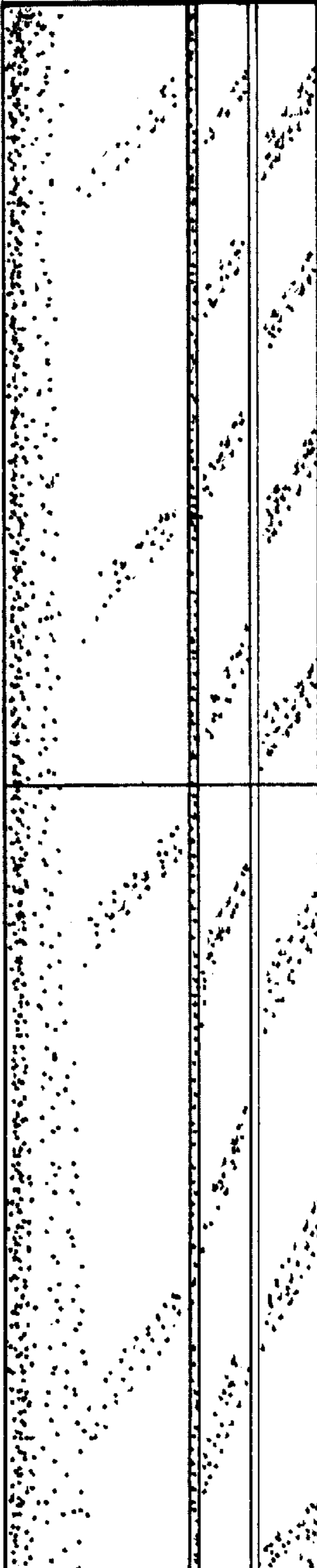


Fig. 4.

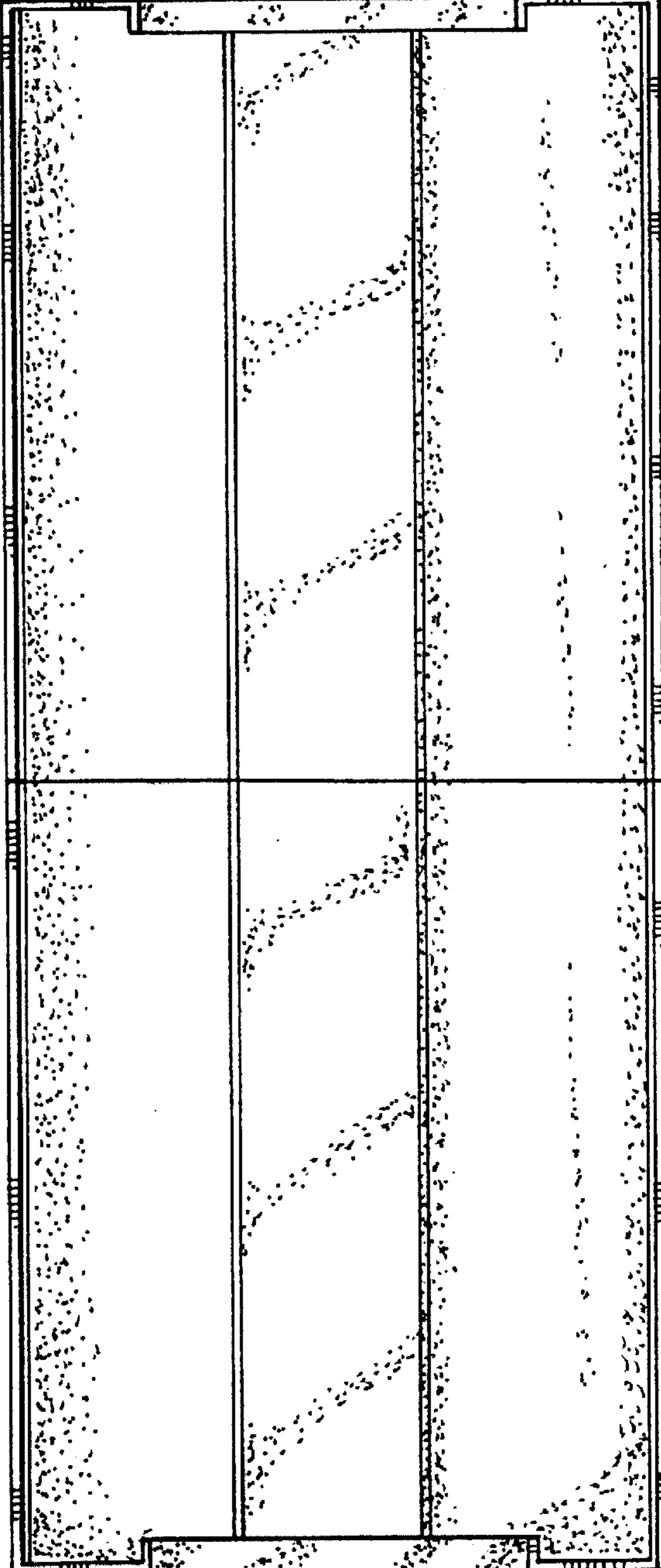


Fig. 5.