



US00D517570S

(12) **United States Design Patent**  
**Stiles, Jr. et al.**

(10) **Patent No.:** **US D517,570 S**  
(45) **Date of Patent:** **\*\* Mar. 21, 2006**

(54) **PLASTIC PUMP**

(75) Inventors: **Robert W. Stiles, Jr.**, Holly Springs,  
NC (US); **Jo Anne Bryant Sloan**,  
Sanford, NC (US)

(73) Assignee: **Pentair Water Pool and Spa, Inc.**,  
Moorpark, CA (US)

(\*\*) Term: **14 Years**

(21) Appl. No.: **29/224,825**

(22) Filed: **Mar. 8, 2005**

(51) **LOC (8) Cl.** ..... **15-02**

(52) **U.S. Cl.** ..... **D15/7**

(58) **Field of Classification Search** ..... D15/7-9;  
D23/231, 232; 417/410.1, 359, 415-416,  
417/234, 321, 265, 405

See application file for complete search history.

(56) **References Cited**

**U.S. PATENT DOCUMENTS**

D137,612 S \* 4/1944 Flanagan et al. .... D15/7  
D299,143 S \* 12/1988 Hazlehurst ..... D15/7

D339,810 S \* 9/1993 Hansen ..... D15/7  
D372,719 S \* 8/1996 Jensen ..... D15/7  
D407,411 S \* 3/1999 Chalberg et al. .... D15/7  
D425,911 S \* 5/2000 Fleischer et al. .... D15/7  
D450,327 S \* 11/2001 Mori et al. .... D15/7

\* cited by examiner

*Primary Examiner*—Ralf Seifert

(74) *Attorney, Agent, or Firm*—Pearne & Gordon LLP

(57) **CLAIM**

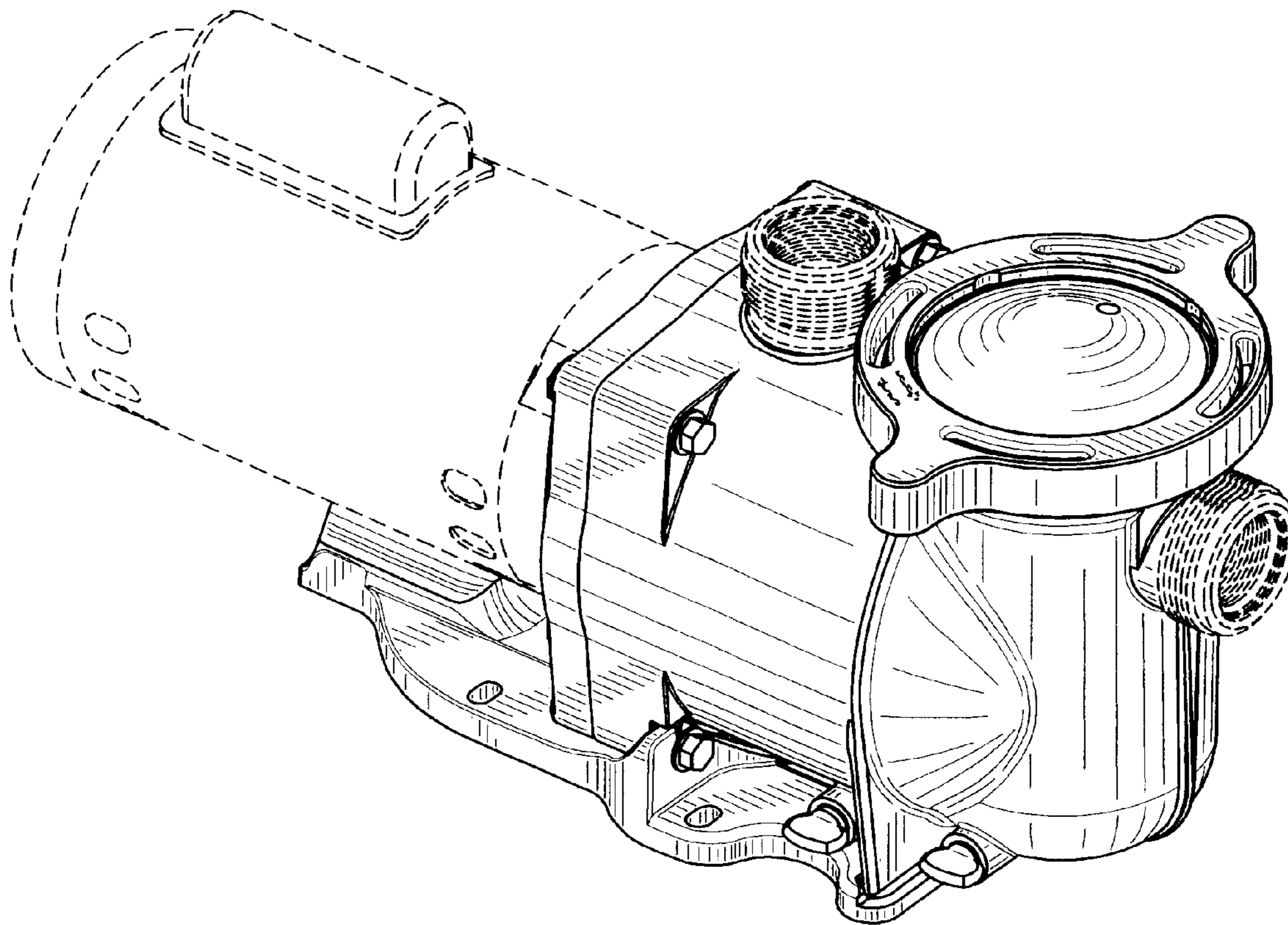
The ornamental design for a plastic pump, as shown and described.

**DESCRIPTION**

FIG. 1 is a perspective view of our new plastic pump;  
FIG. 2 is a right side view thereof;  
FIG. 3 is a left side view thereof;  
FIG. 4 is a top view thereof;  
FIG. 5 is a bottom view thereof;  
FIG. 6 is a front view thereof; and,  
FIG. 7 is a rear view thereof.

The broken lines shown in FIGS. 1-7 represent environmental structure and form no part of the claimed design.

**1 Claim, 6 Drawing Sheets**



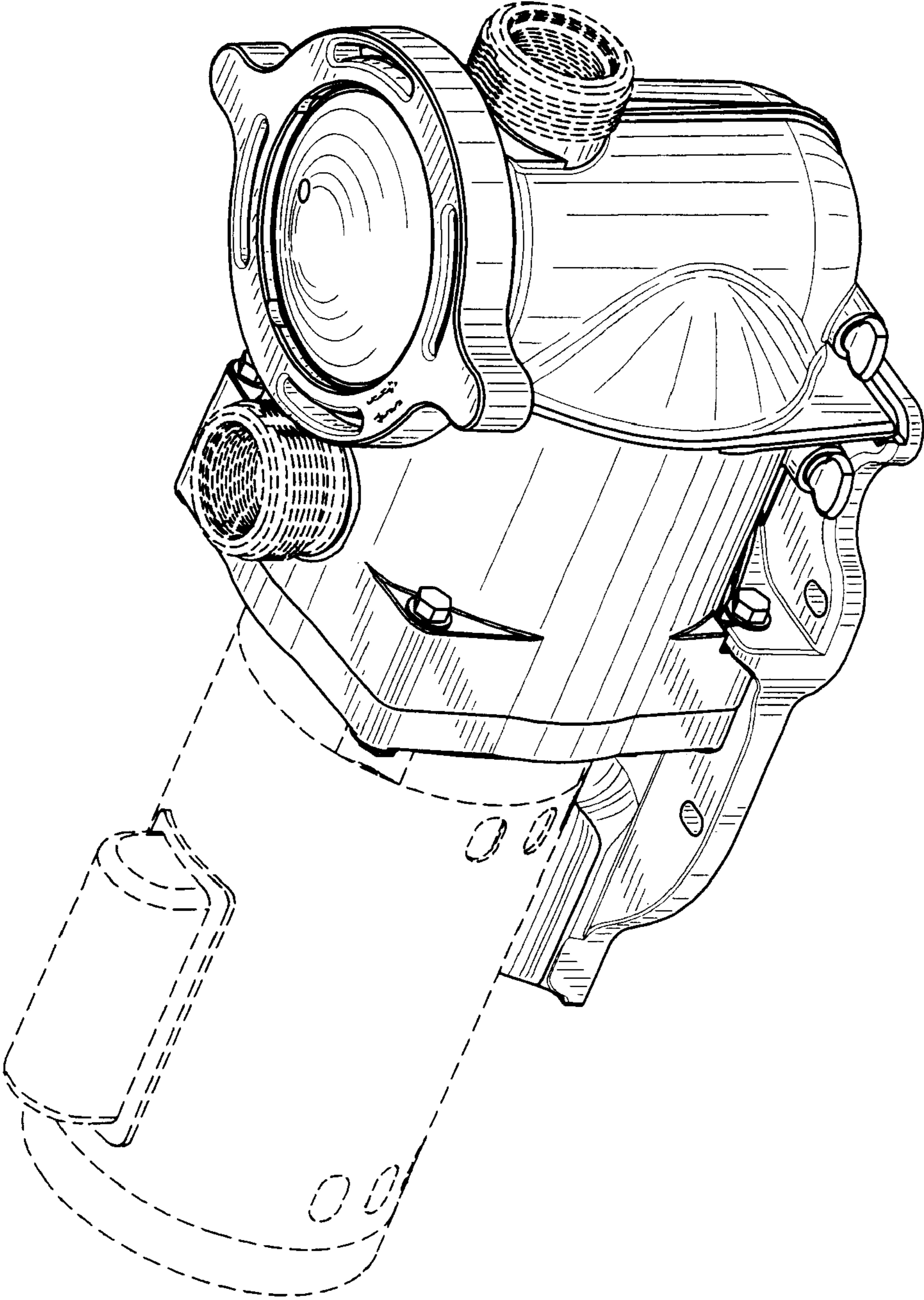


FIG. 1

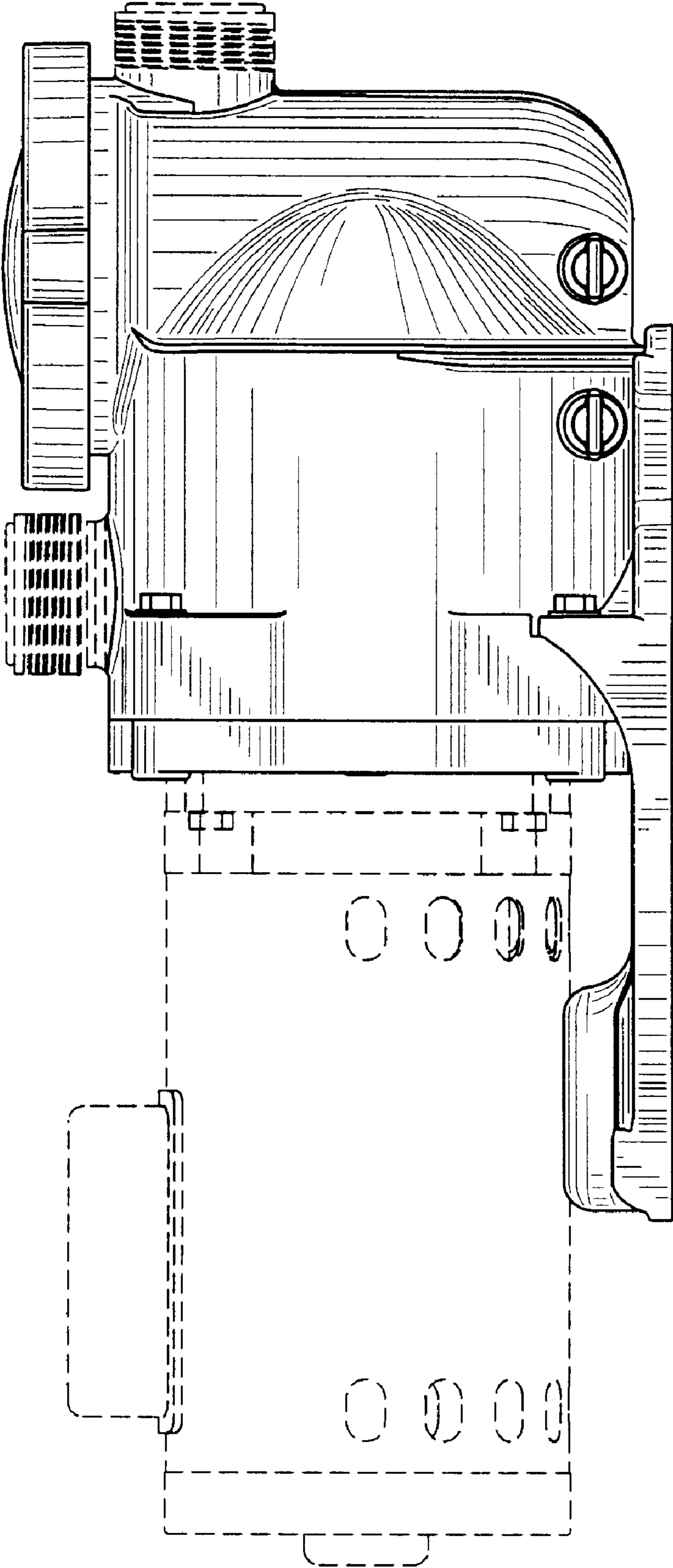


FIG. 2

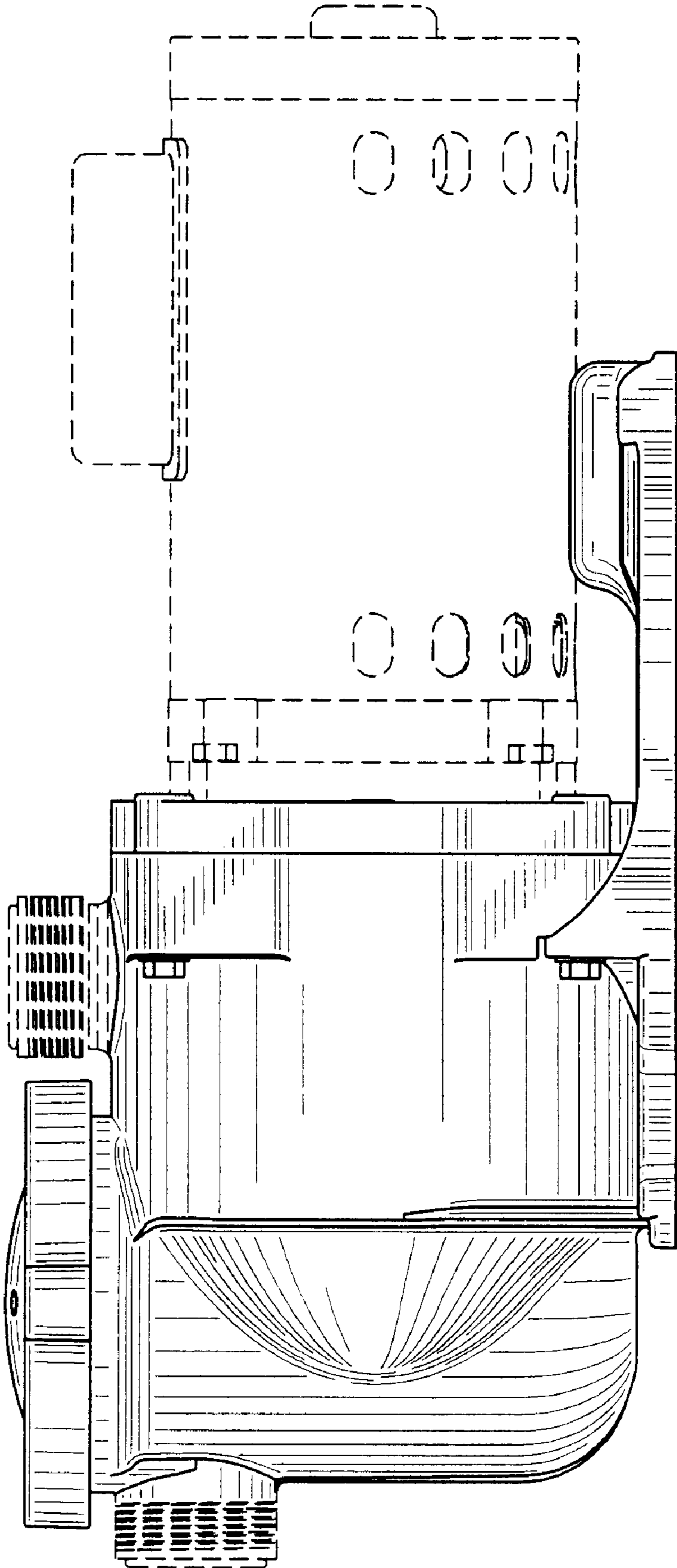


FIG. 3

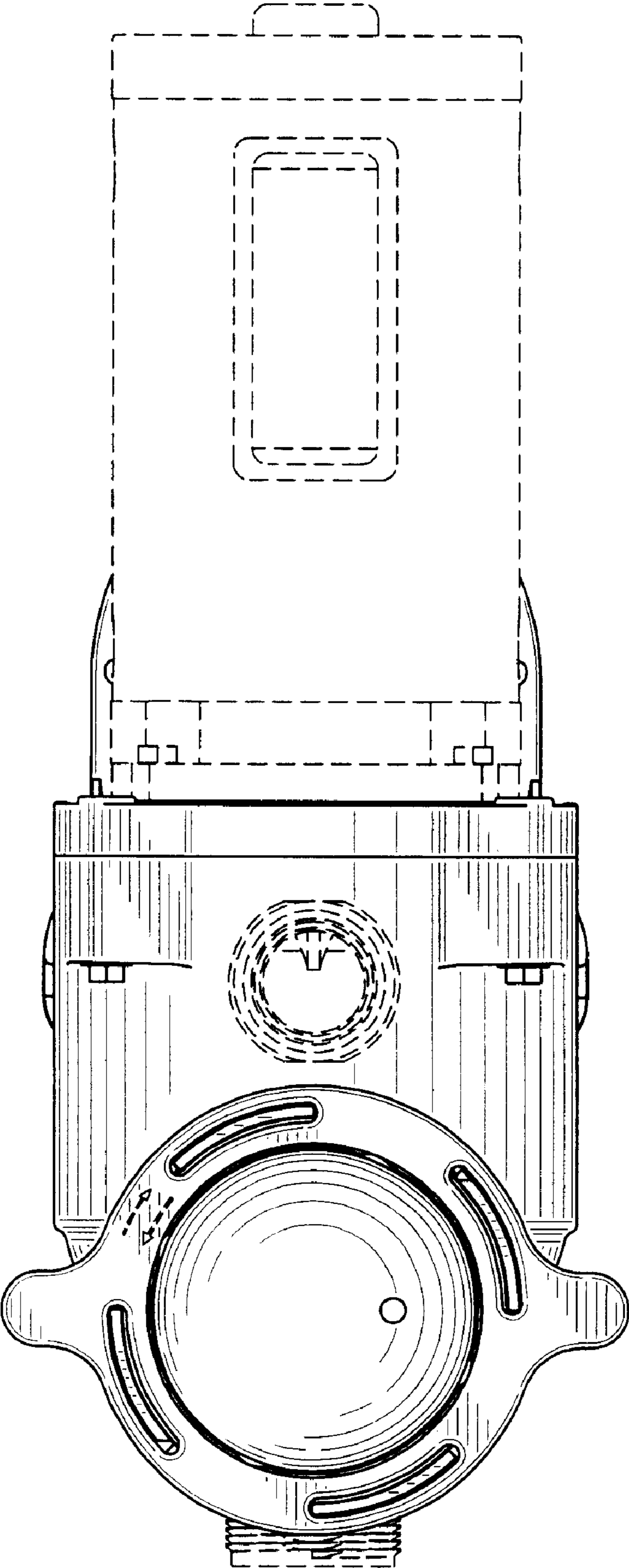


FIG. 4

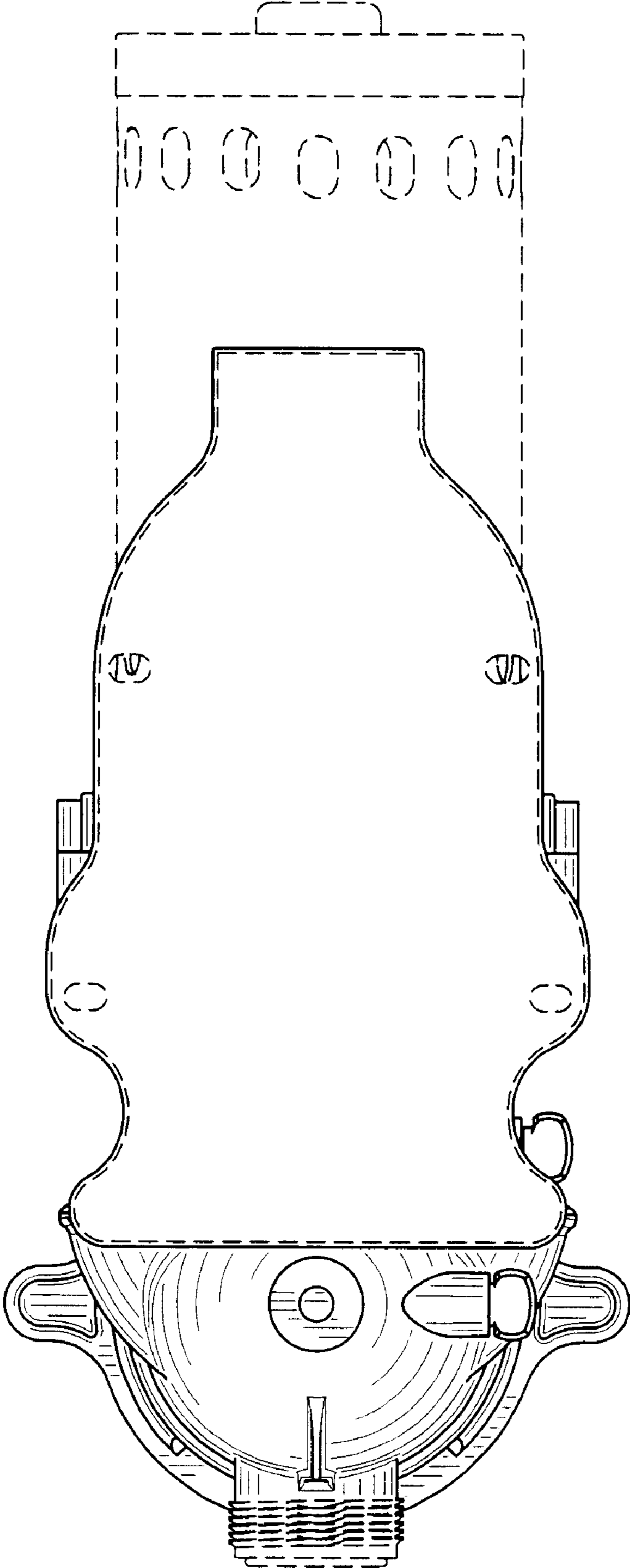


FIG. 5

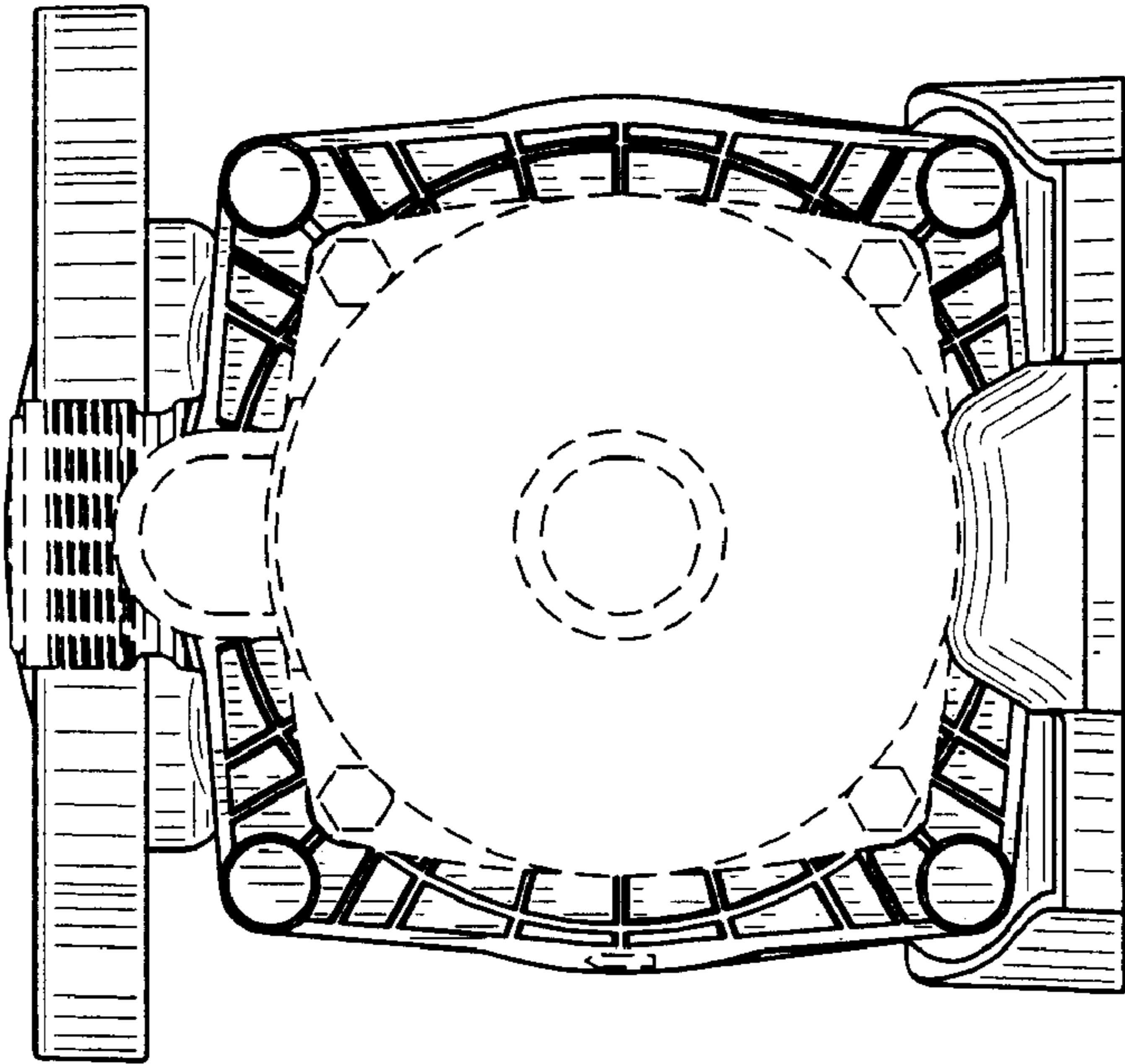


FIG. 7

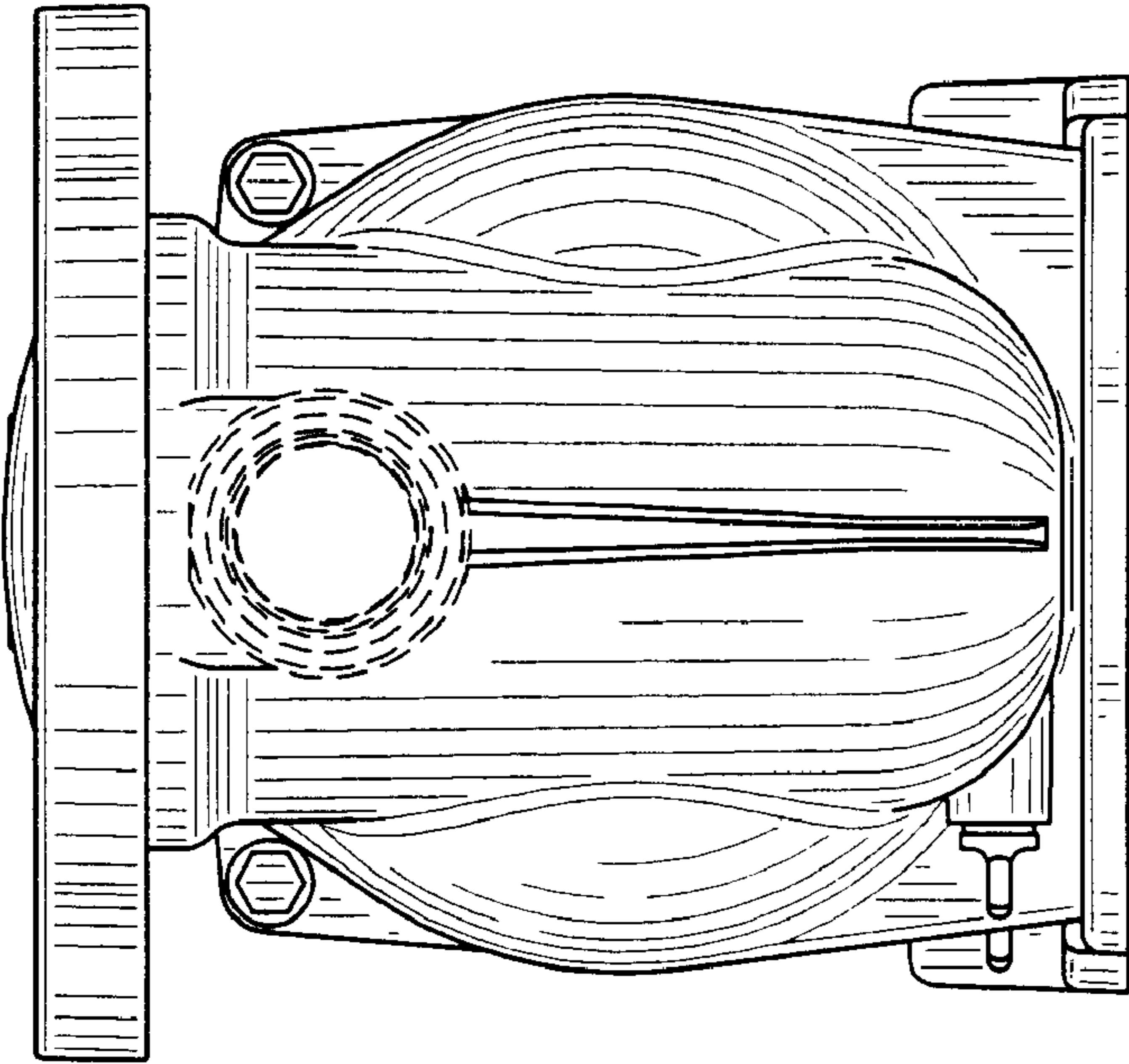


FIG. 6