



US00D517569S

(12) **United States Design Patent**  
**Hsiao**

(10) **Patent No.:** **US D517,569 S**  
(45) **Date of Patent:** **\*\* Mar. 21, 2006**

(54) **MOTOR COWLING FOR AN AIR COMPRESSOR**

D478,095 S \* 8/2003 Reger ..... D15/9  
D484,893 S \* 1/2004 Hsiao ..... D15/9  
D497,917 S \* 11/2004 Harper et al. .... D15/9

(76) Inventor: **E-Ming Hsiao**, No. 427, Sec. 2,  
Doou-Chung Rd., Tien-Chung,  
Chang-Hwa (TW)

\* cited by examiner

(\*\*) Term: **14 Years**

*Primary Examiner*—Ralf Seifert  
(74) *Attorney, Agent, or Firm*—Bacon & Thomas PLLC

(21) Appl. No.: **29/224,049**

(57) **CLAIM**

(22) Filed: **Feb. 25, 2005**

The ornamental design for a motor cowling for an air compressor, as shown and described.

(51) **LOC (8) Cl.** ..... **15-02**

**DESCRIPTION**

(52) **U.S. Cl.** ..... **D15/7**

(58) **Field of Classification Search** ..... D15/7-9;  
417/234-235, 360, 415; D26/38; 248/645;  
415/148

FIG. 1 is a perspective view of a motor cowling for an air compressor showing my new design;  
FIG. 2 is a front view thereof;  
FIG. 3 is a rear view thereof;  
FIG. 4 is a left side view thereof;  
FIG. 5 is a right side view thereof;  
FIG. 6 is a top view thereof; and,  
FIG. 7 is a bottom view thereof.

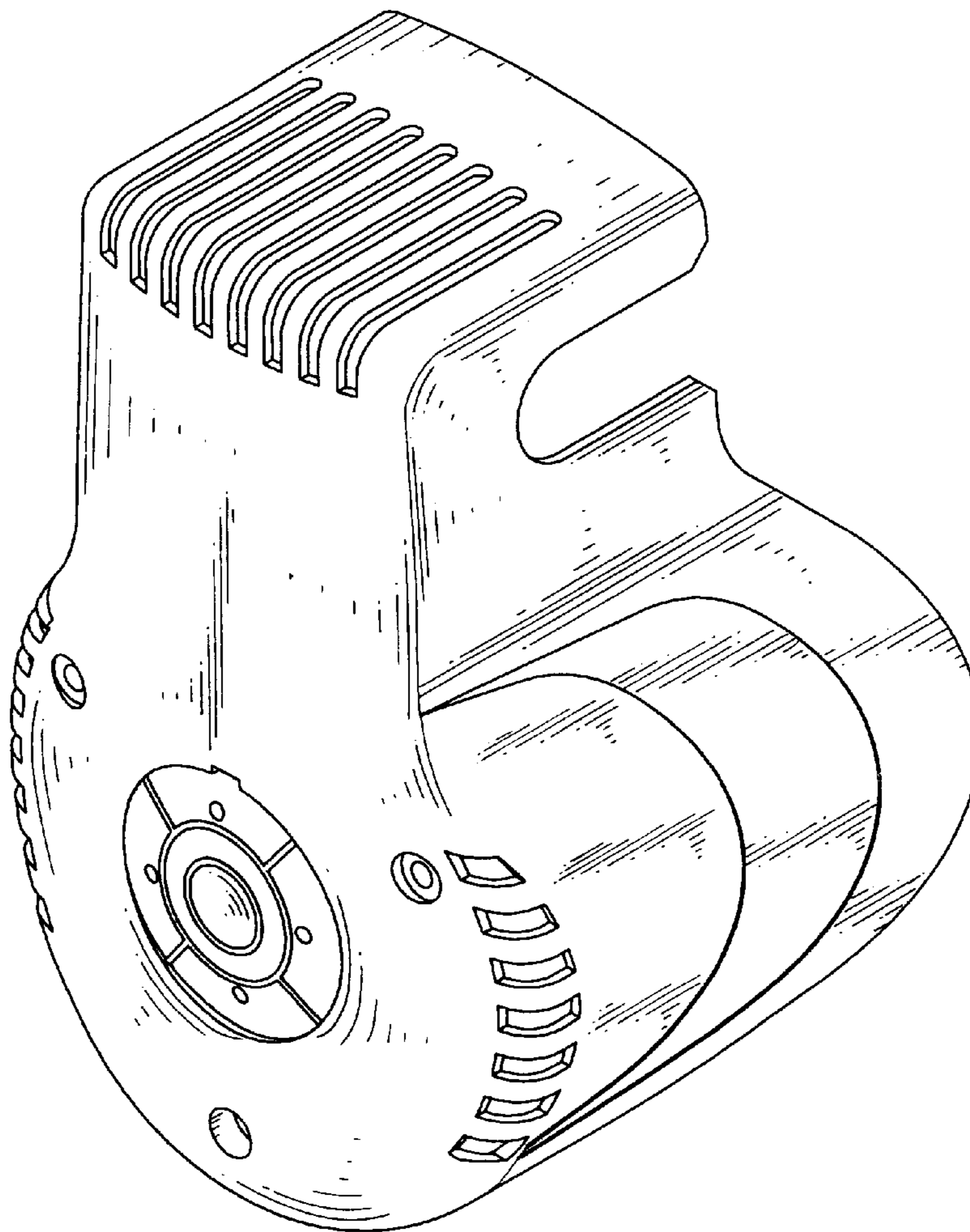
See application file for complete search history.

(56) **References Cited**

**U.S. PATENT DOCUMENTS**

D352,293 S \* 11/1994 Morgan ..... D15/9  
D455,761 S \* 4/2002 Graber et al. .... D15/9

**1 Claim, 7 Drawing Sheets**



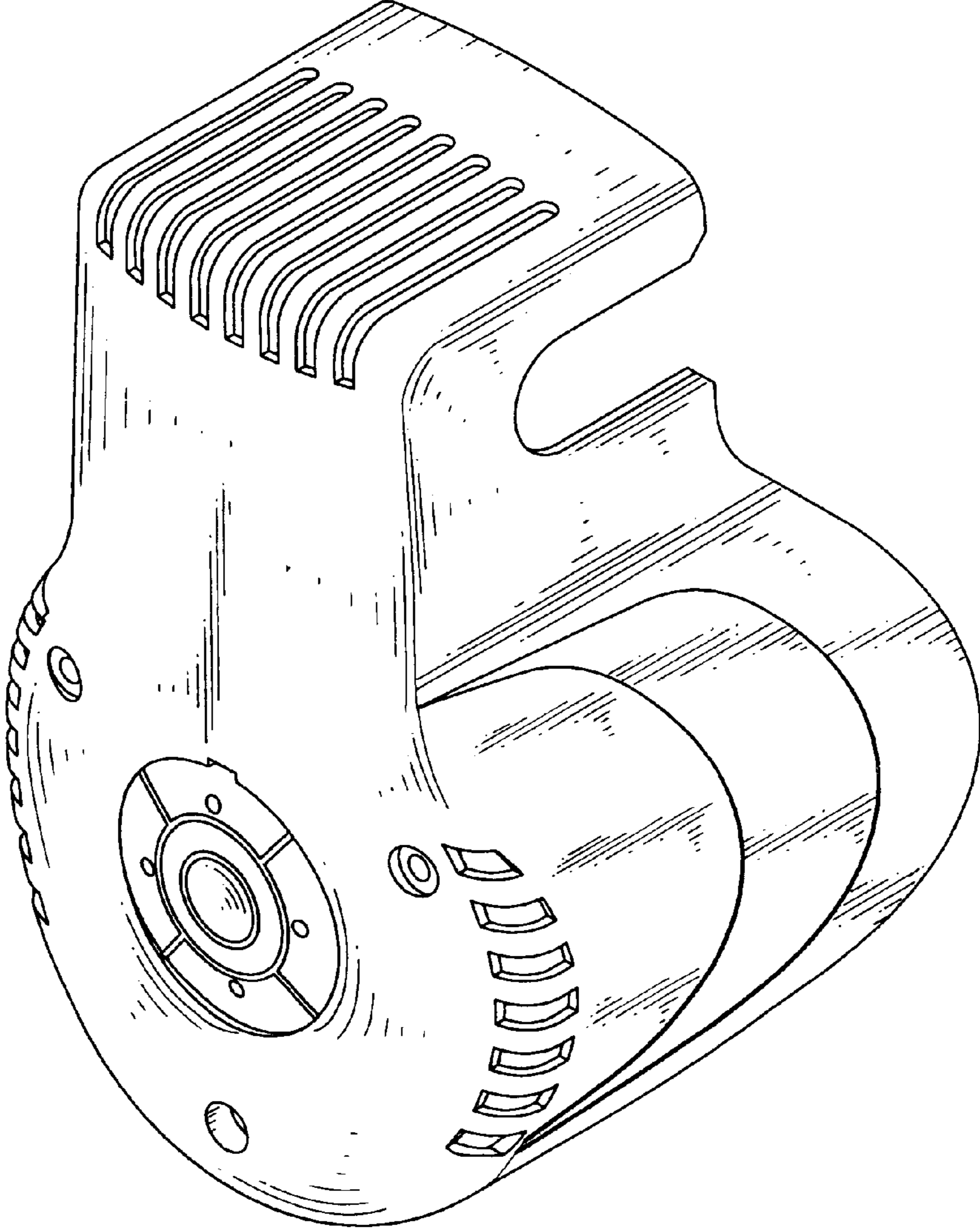


FIG.1

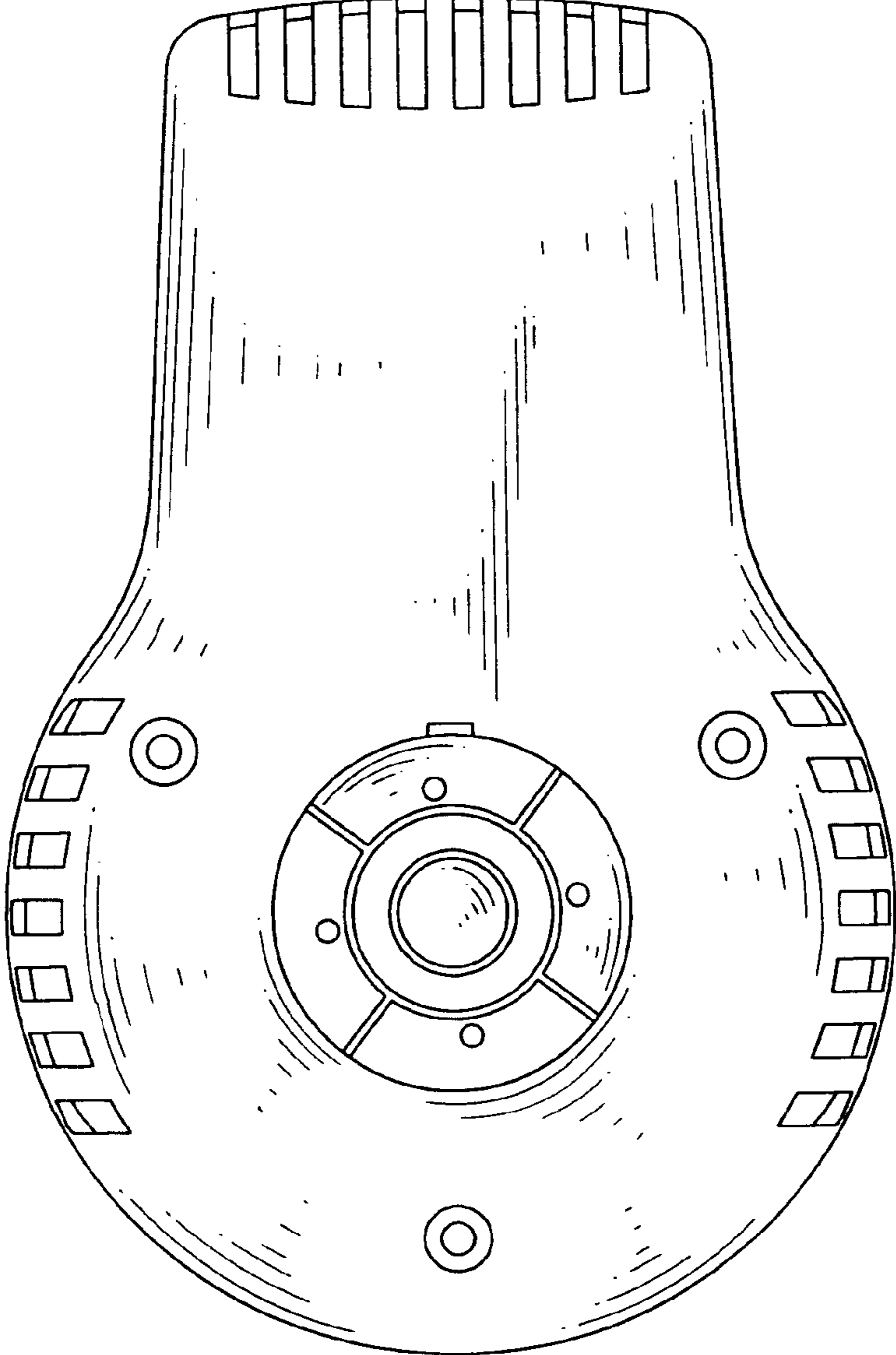


FIG.2

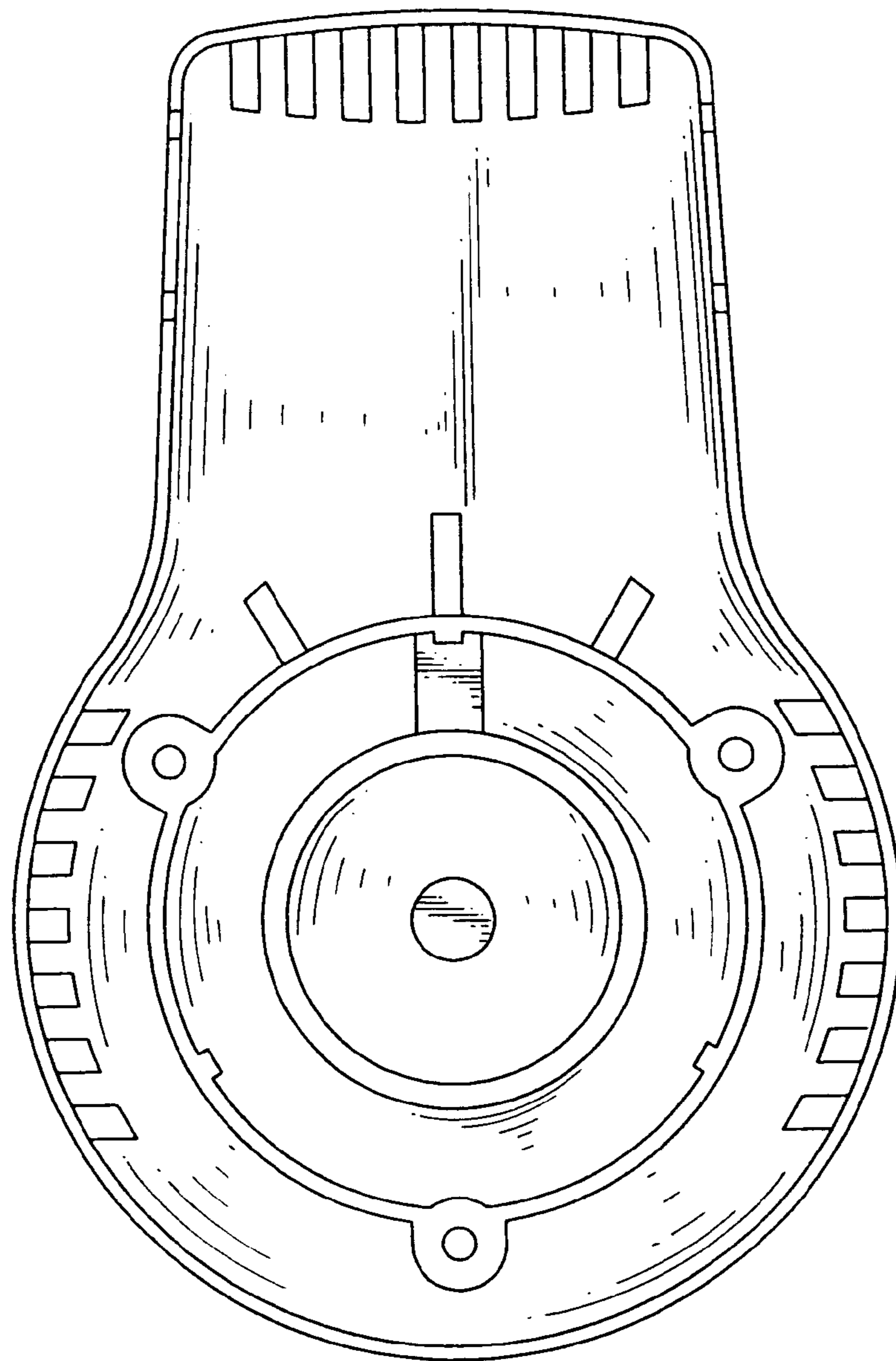


FIG. 3

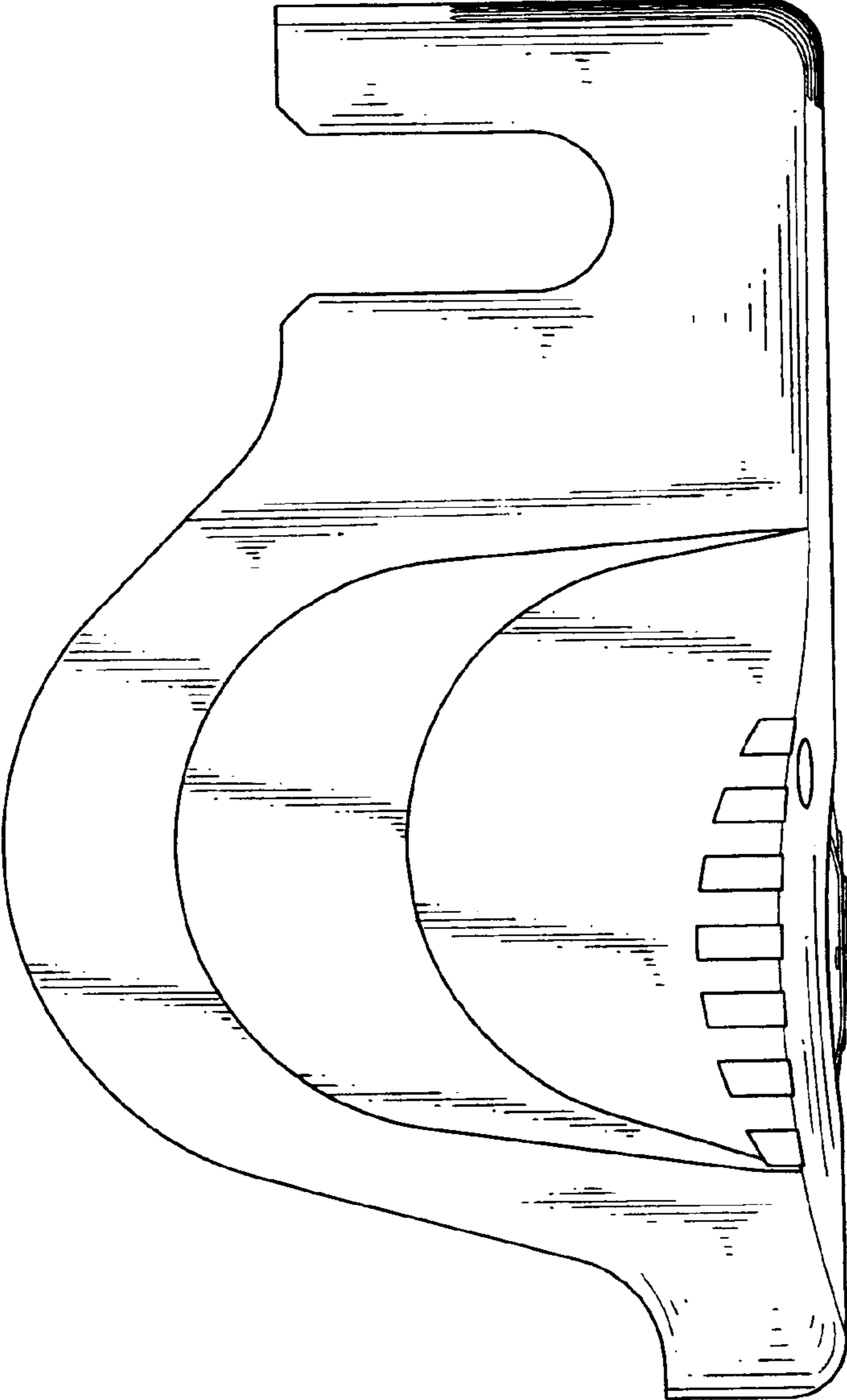


FIG.4

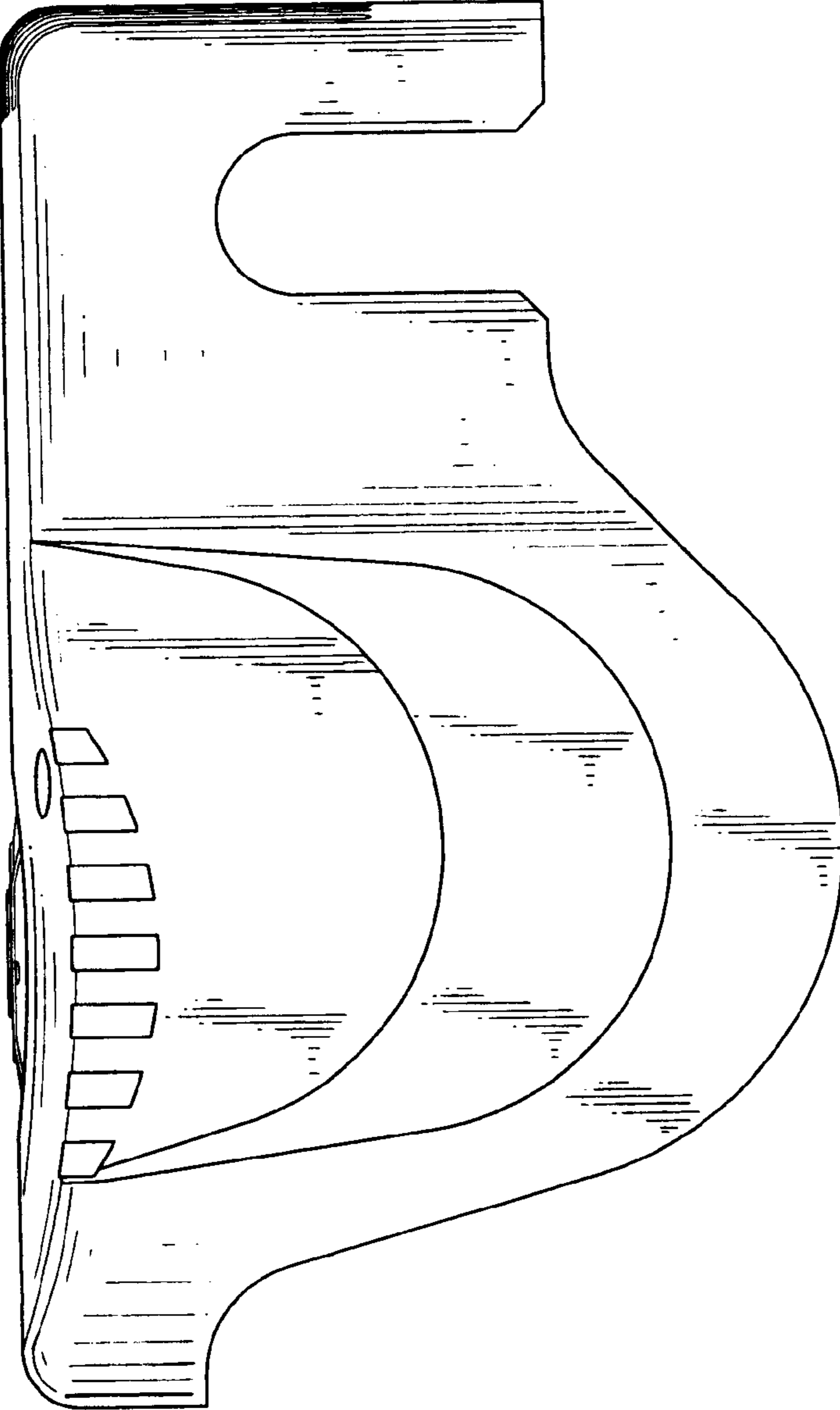


FIG.5

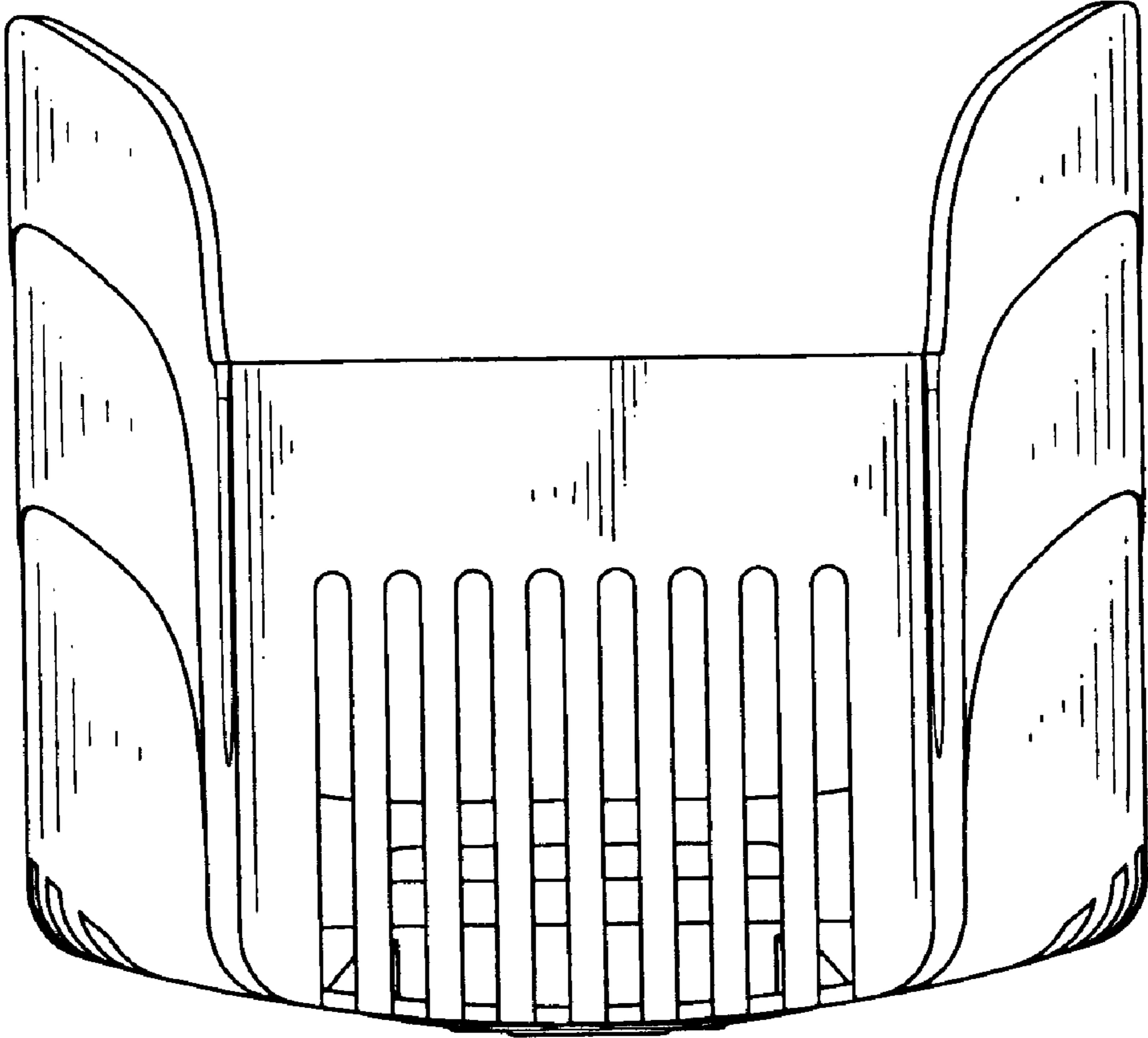


FIG.6

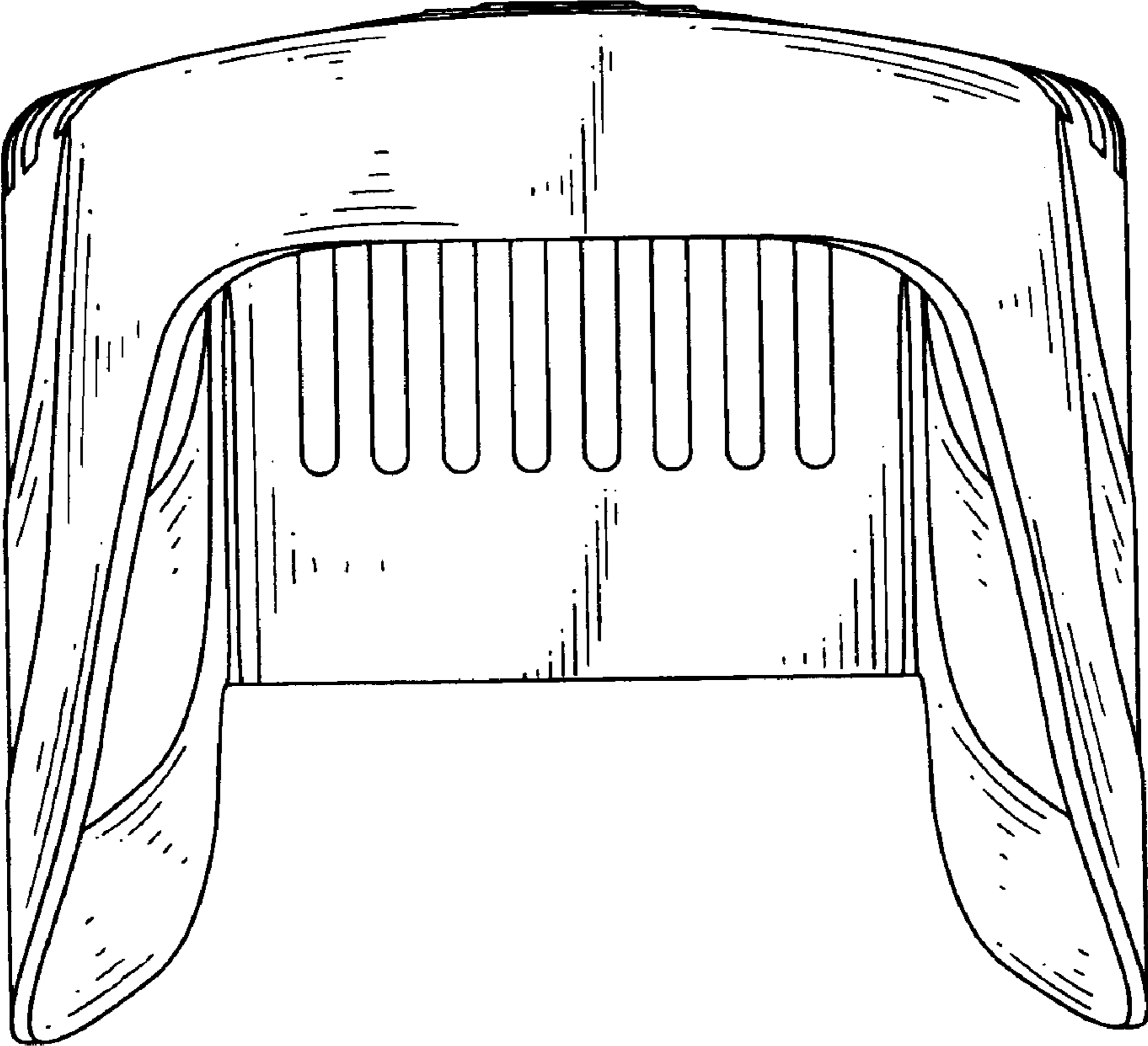


FIG.7