

US00D517566S

(12) **United States Design Patent**
Meheen

(10) **Patent No.:** **US D517,566 S**
(45) **Date of Patent:** **** Mar. 21, 2006**

- (54) **AIR GUIDE FOR TURBOCHARGERS AND THE LIKE**
- (76) **Inventor:** **David Meheen**, 325 N. Oregon Ave., Pasco, WA (US) 99301
- (**) **Term:** **14 Years**
- (21) **Appl. No.:** **29/197,630**
- (22) **Filed:** **Jan. 16, 2004**
- (51) **LOC (8) Cl.** **15-01**
- (52) **U.S. Cl.** **D15/5**
- (58) **Field of Classification Search** D15/1-9;
D12/110, 114, 126; 123/198 E, 195 C; 280/304.3,
280/288.4; 180/219; 296/180.1-180.5, 97 F,
296/95 R
See application file for complete search history.

- 5,678,884 A * 10/1997 Murkett et al. 296/180.1
- D410,010 S * 5/1999 Gieseke et al. D15/5
- D466,520 S * 12/2002 Brent et al. D15/5
- D496,669 S * 9/2004 Wolford et al. D15/5

* cited by examiner

Primary Examiner—Caron D. Veynar
Assistant Examiner—Maurice Stevens
(74) *Attorney, Agent, or Firm*—Reidlaw, L.L.C.; John S. Reid

(57) **CLAIM**

The ornamental design for an air guide for turbochargers and the like, as shown and described.

DESCRIPTION

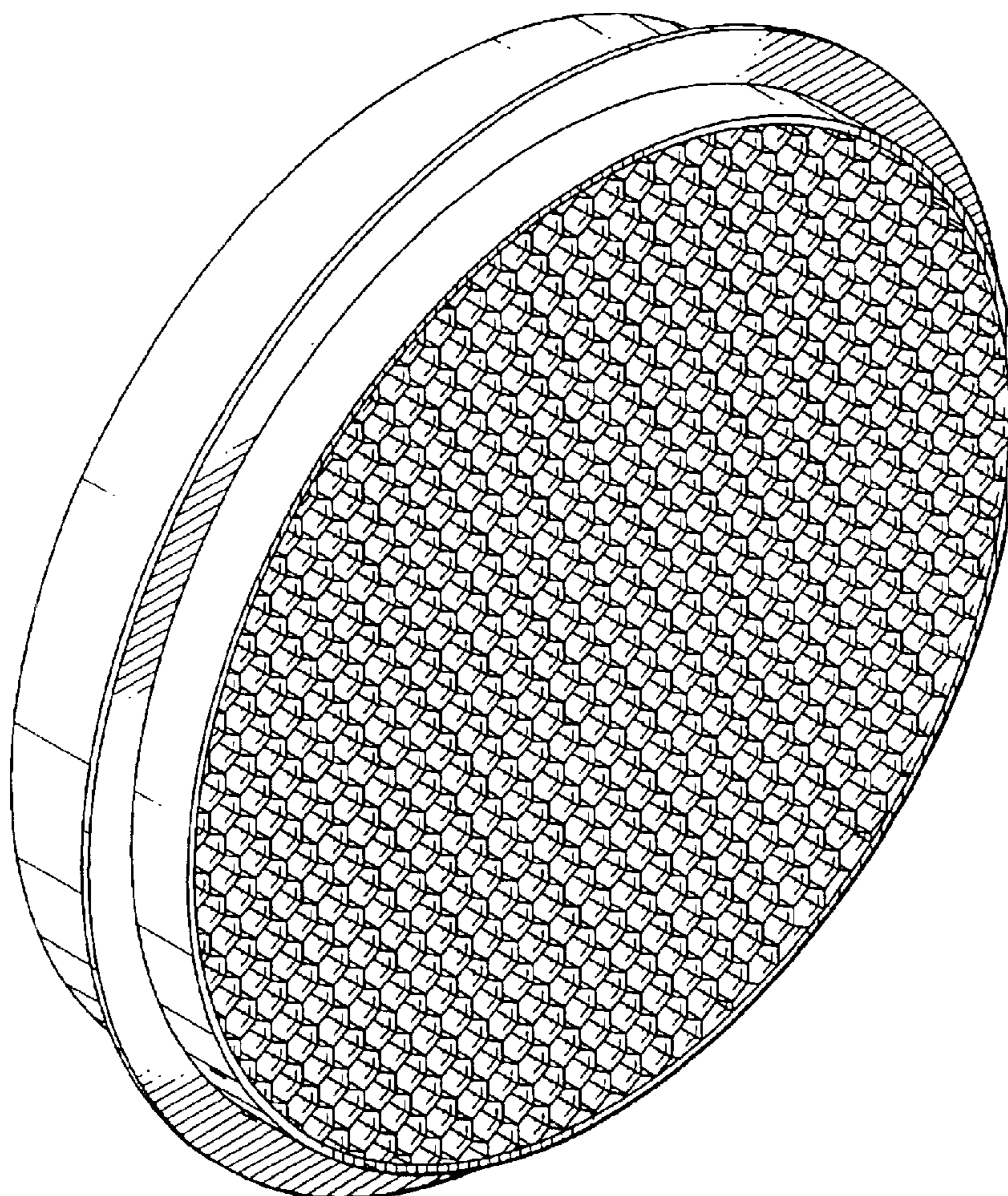
FIG. 1 is a side front isometric view of an air guide for turbochargers and the like, showing my new design; FIG. 2 is a front elevation view thereof, and the rear elevation being a mirror image; and, FIG. 3 is a side elevation view thereof.

(56) **References Cited**

U.S. PATENT DOCUMENTS

- D250,527 S * 12/1978 Sacco et al. D12/181

1 Claim, 2 Drawing Sheets



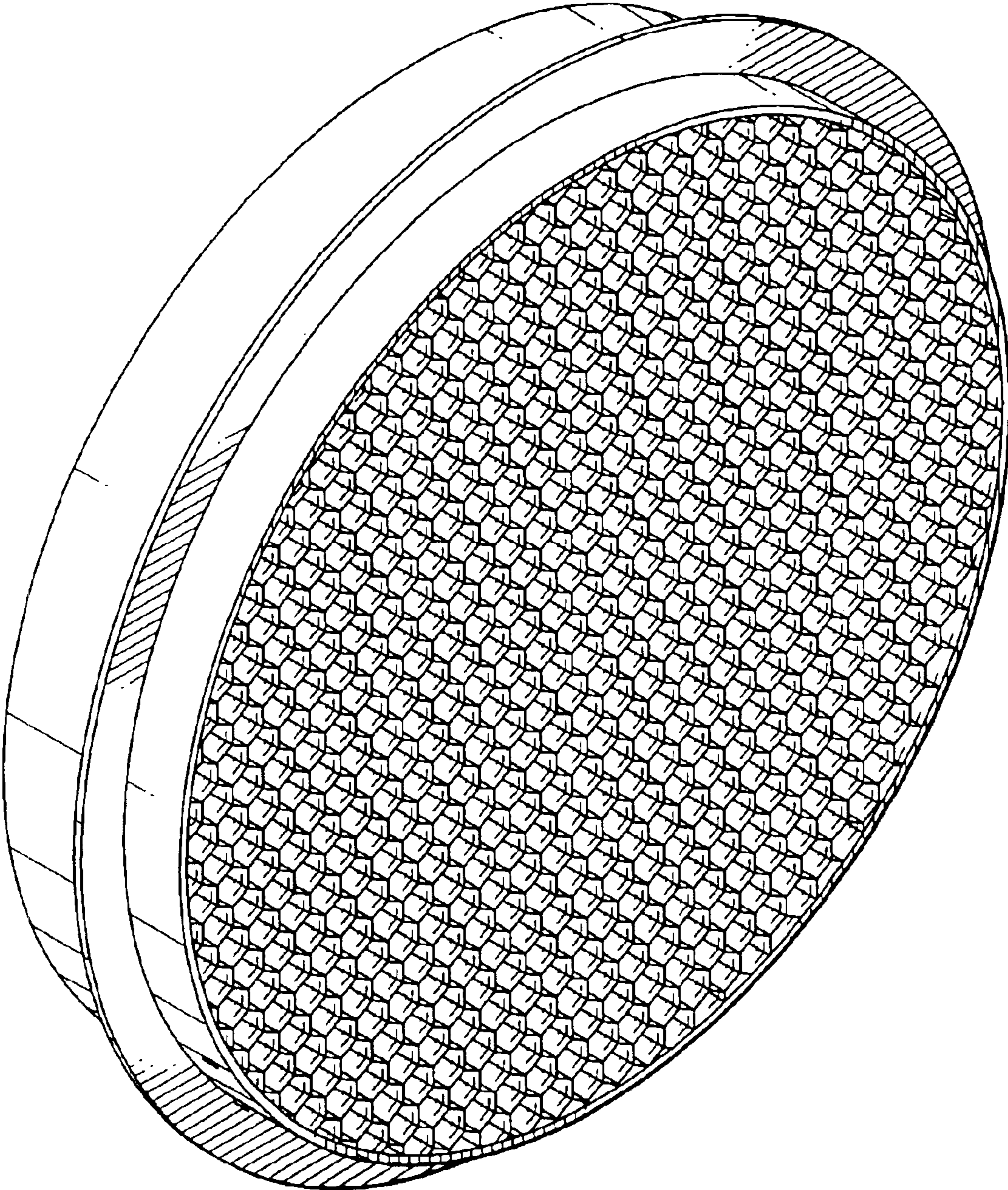


FIG. 1

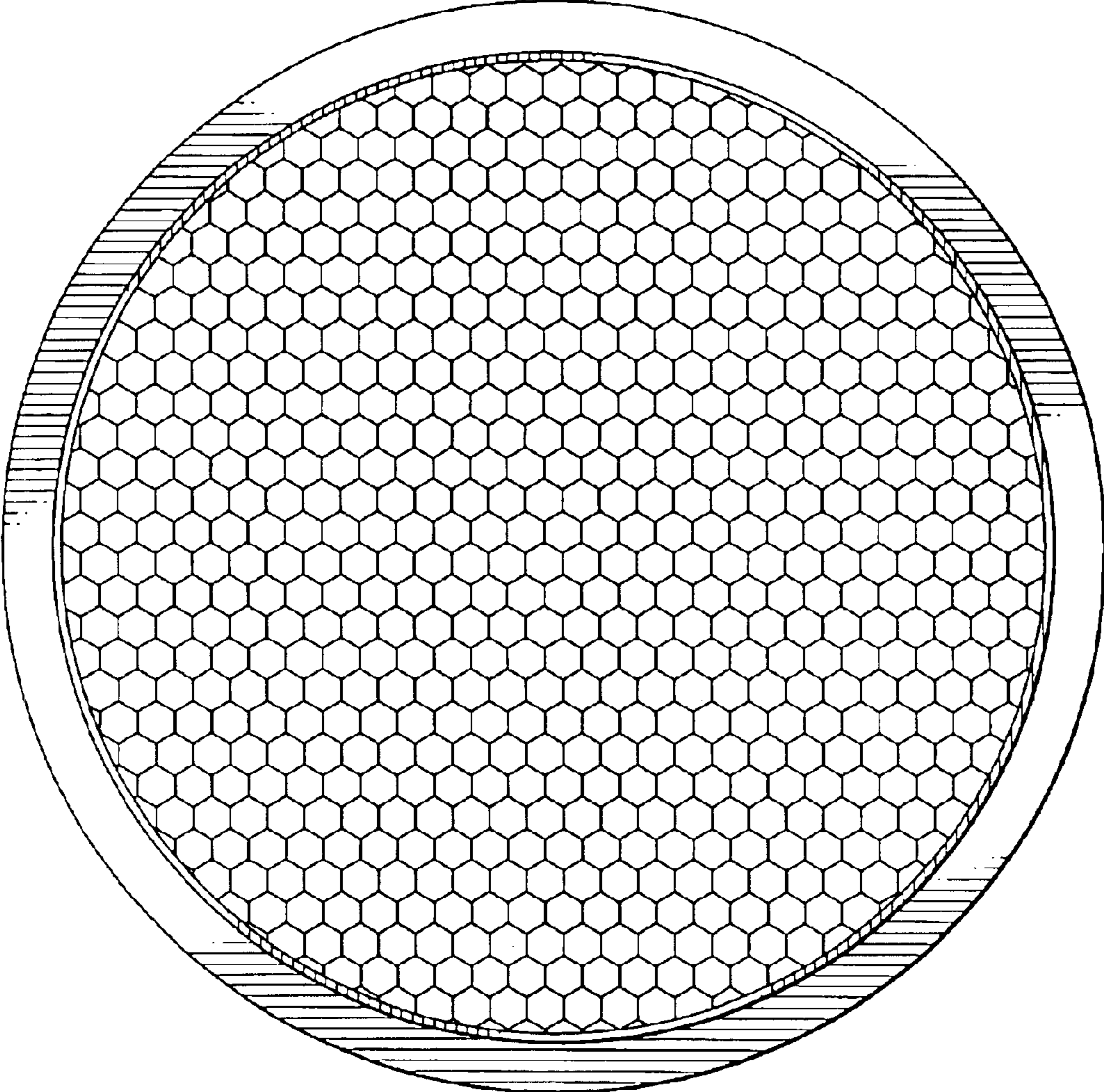


FIG. 2

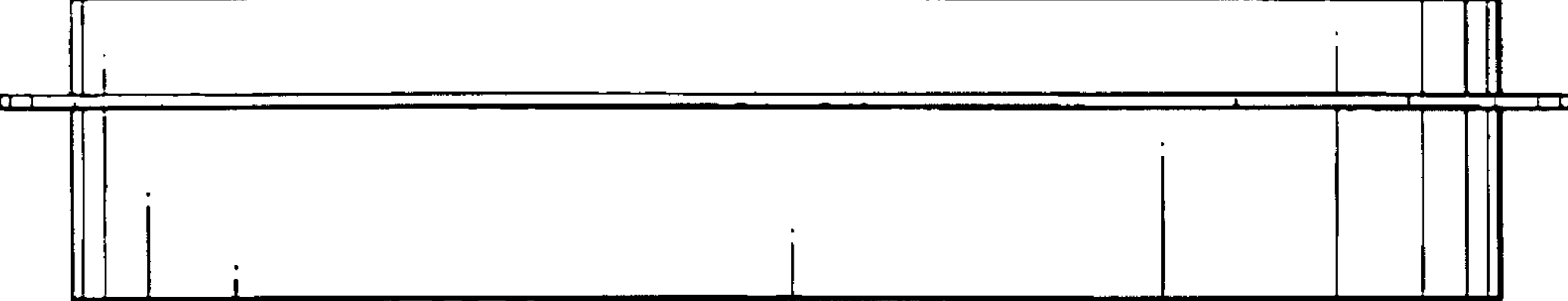


FIG. 3