



US00D517564S

(12) **United States Design Patent**
Katayama et al.

(10) **Patent No.:** **US D517,564 S**
(45) **Date of Patent:** **** Mar. 21, 2006**

(54) **FACSIMILE MACHINE**
(75) Inventors: **Shigeharu Katayama**, Kakamigahara (JP); **Toshiya Inada**, Nagoya (JP)
(73) Assignee: **Brother Industries, Ltd.**, Nagoya (JP)
(**) Term: **14 Years**

6,040,919 A * 3/2000 Iwata et al. 358/400
D442,604 S * 5/2001 Nakamura D14/468
D443,620 S * 6/2001 Nakamura et al. D14/468
D491,576 S * 6/2004 Yamaguchi D14/468

* cited by examiner

Primary Examiner—Prabhakar Deshmukh
(74) *Attorney, Agent, or Firm*—Oliff & Berridge, PLC

(21) Appl. No.: **29/220,129**
(22) Filed: **Dec. 28, 2004**

(57) **CLAIM**

The ornamental design for a facsimile machine, as shown and described.

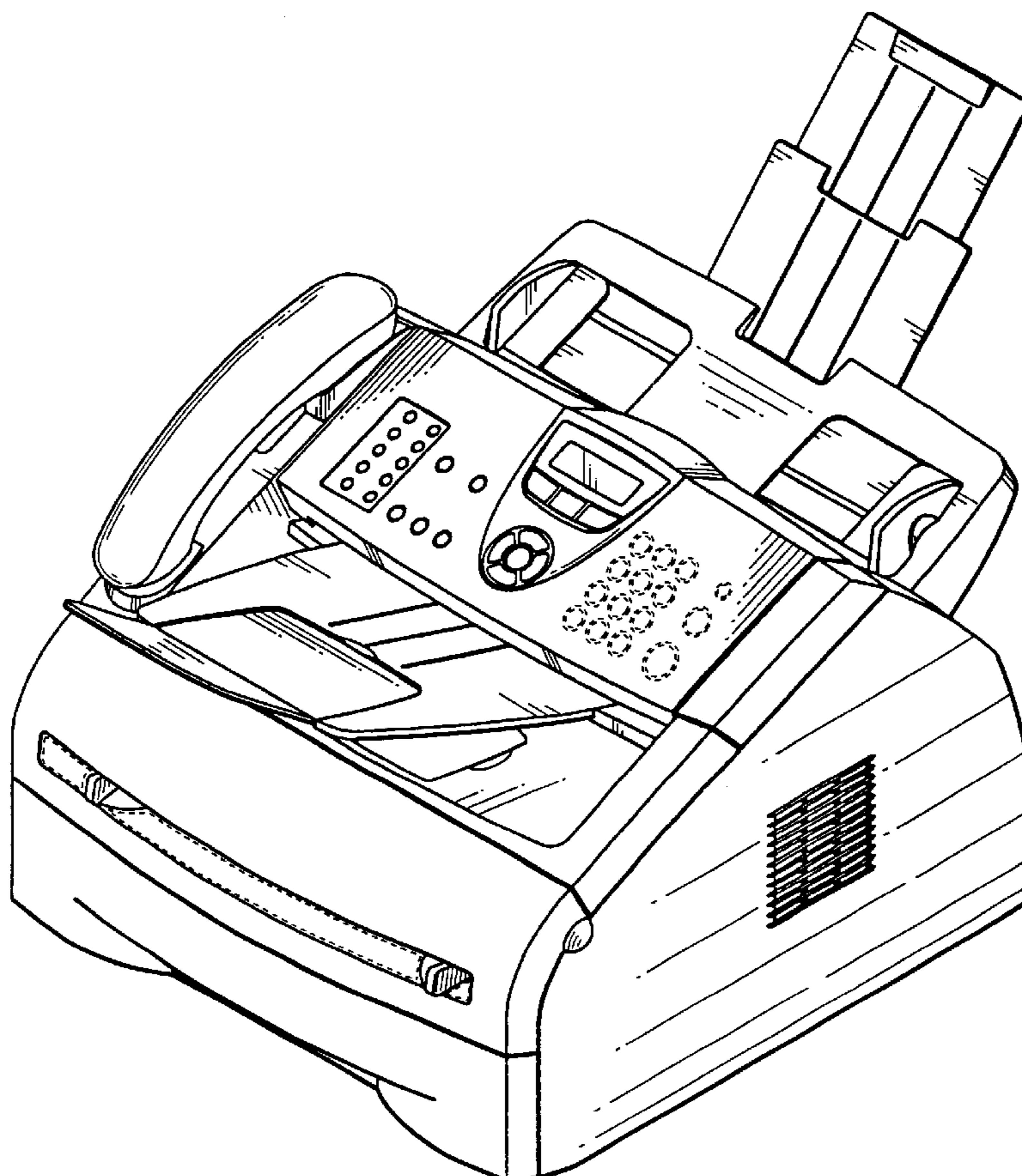
(30) **Foreign Application Priority Data**
Aug. 24, 2004 (JP) 2004-025373
(51) **LOC (8) Cl.** **16-03**
(52) **U.S. Cl.** **D14/468**
(58) **Field of Classification Search** D14/462-471;
358/440-404, 296, 474, 475, 487
See application file for complete search history.

DESCRIPTION

FIG. 1 is a perspective view of a facsimile machine;
FIG. 2 is a front view thereof;
FIG. 3 is a top view thereof;
FIG. 4 is a right-side view thereof;
FIG. 5 is a left-side view thereof;
FIG. 6 is a rear view thereof;
FIG. 7 is a bottom view thereof; and,
FIG. 8 is another perspective view with a paper tray in an extended position and a paper stopper in a rotated position. The broken line showing is for illustrative purposes only and forms no part of the claimed design.
The drawing FIGS. 2-7 are drawn in an enlarged scale.

(56) **References Cited**
U.S. PATENT DOCUMENTS
4,872,061 A * 10/1989 Uchiyama 358/400
5,183,431 A * 2/1993 Todokoro 446/142
5,337,165 A * 8/1994 Rioussset et al. 358/496
D368,259 S * 3/1996 Bishop et al. D14/468

1 Claim, 8 Drawing Sheets



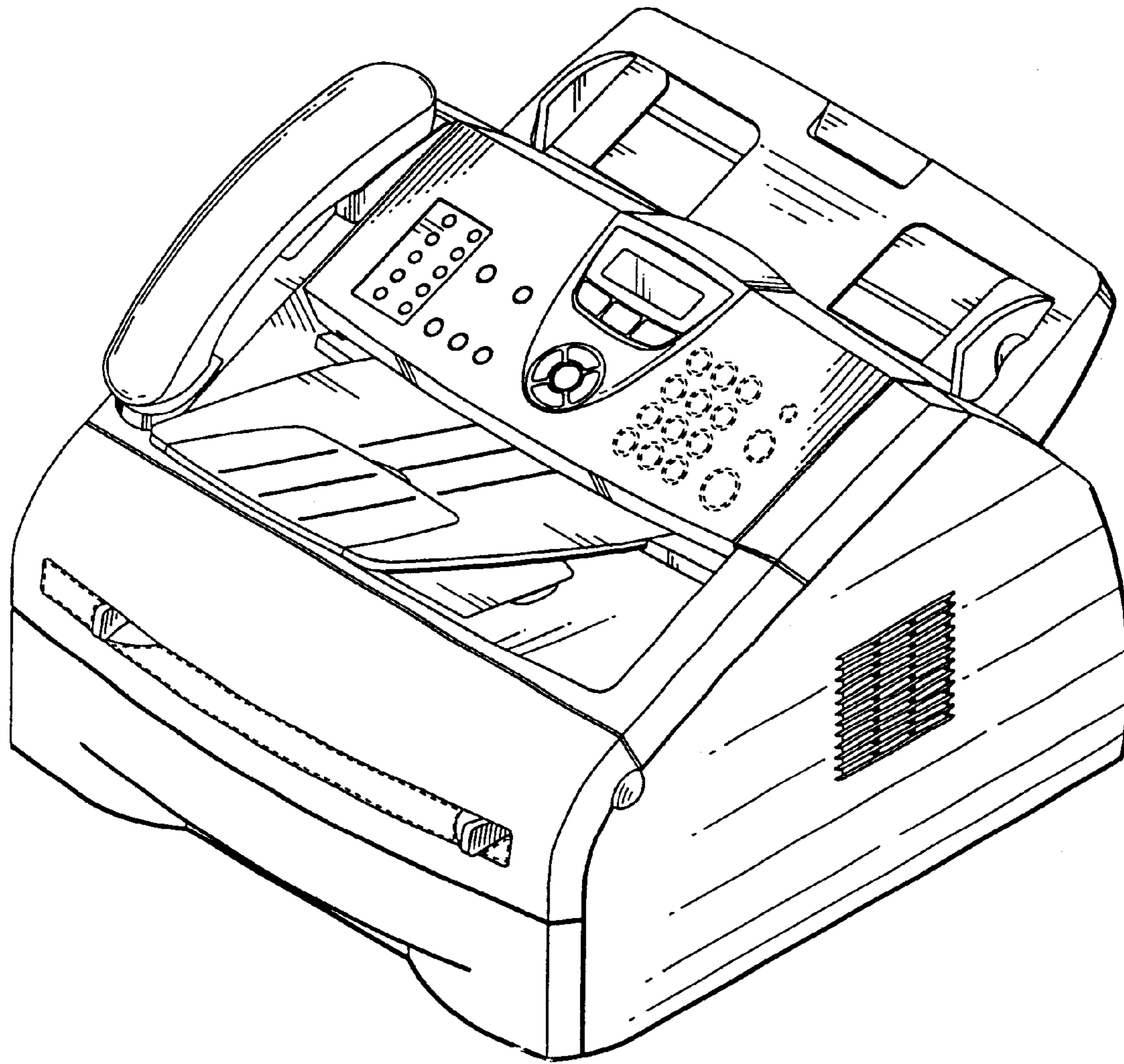


FIG. 1

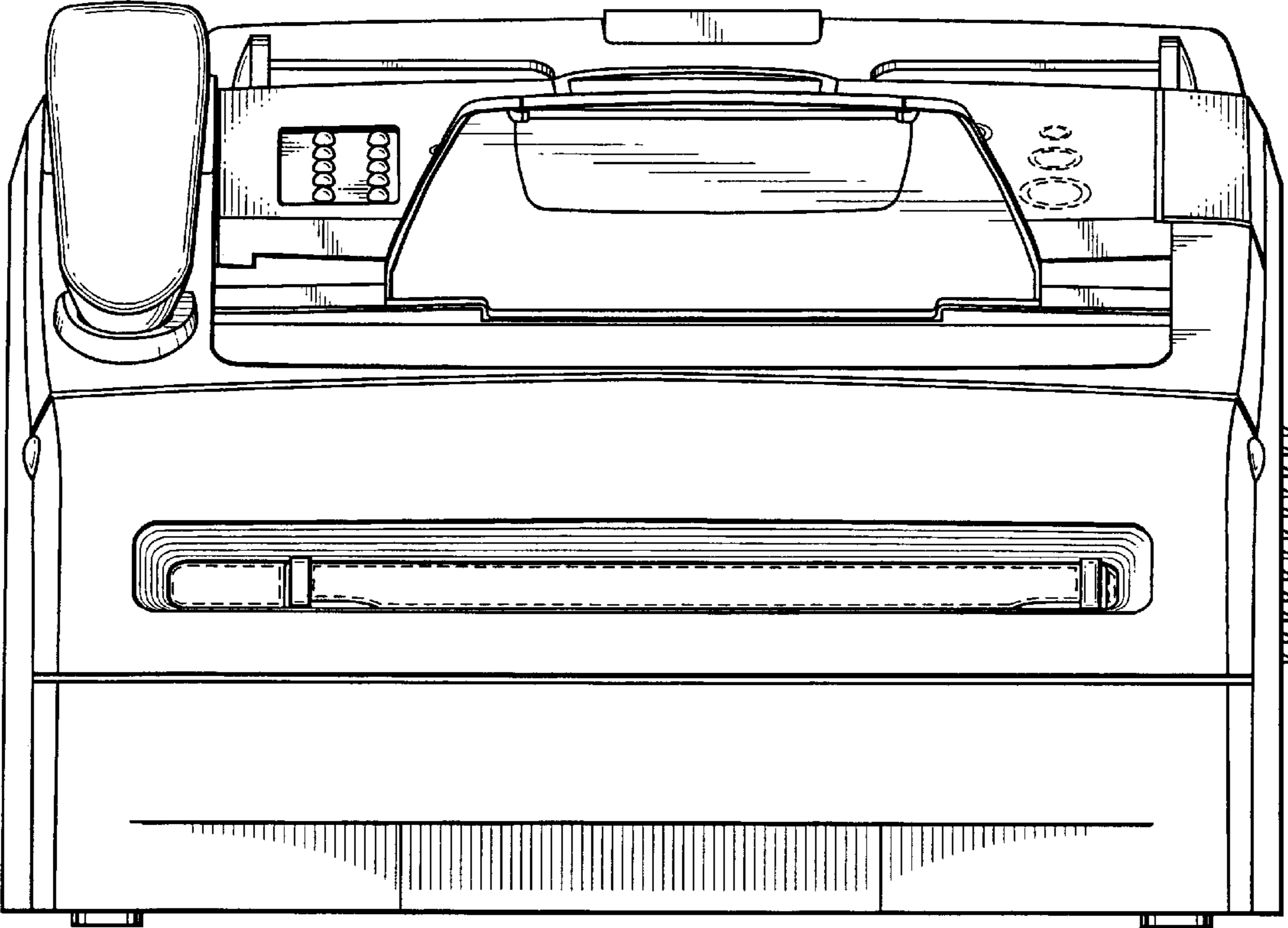


FIG. 2

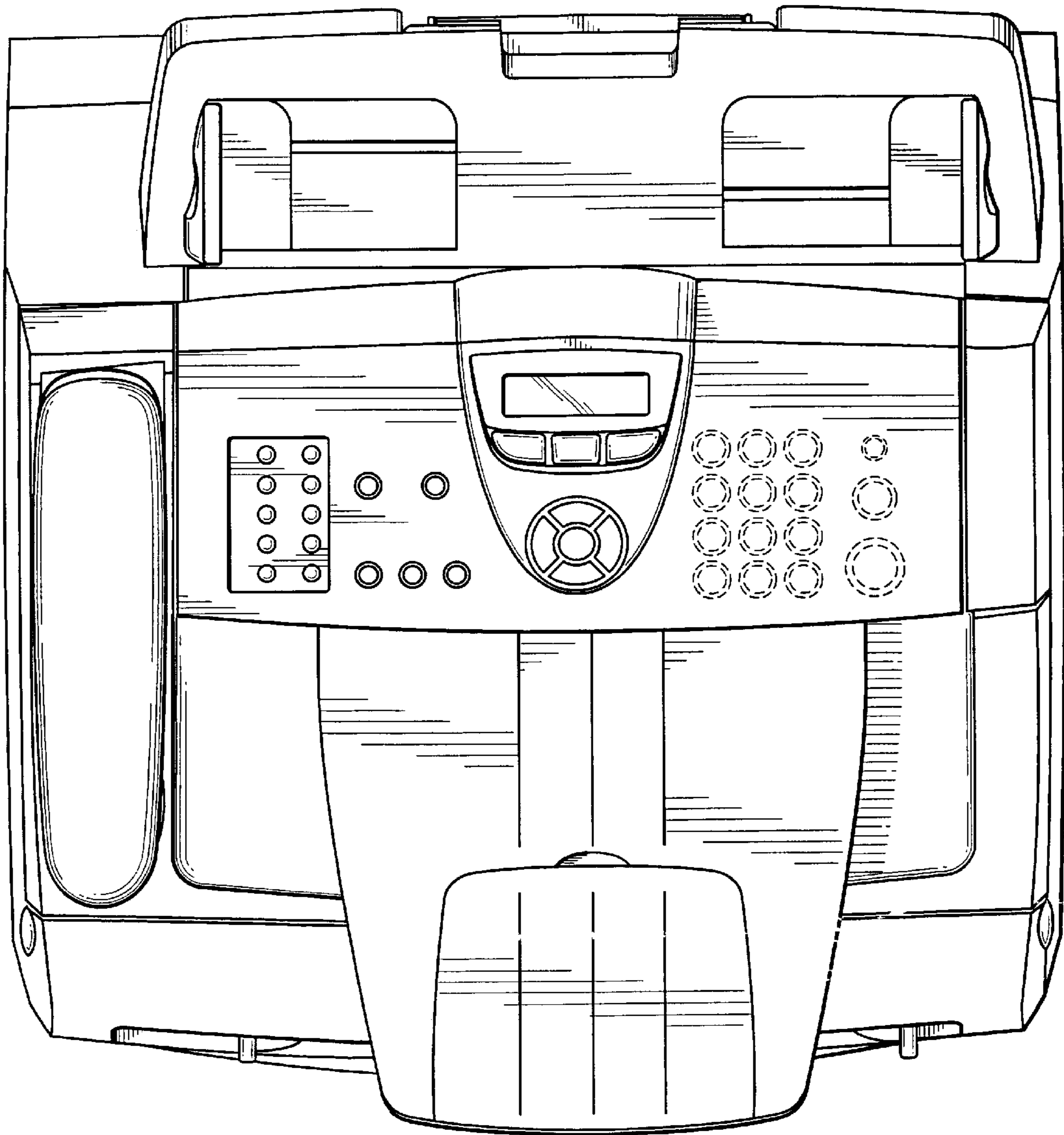


FIG. 3

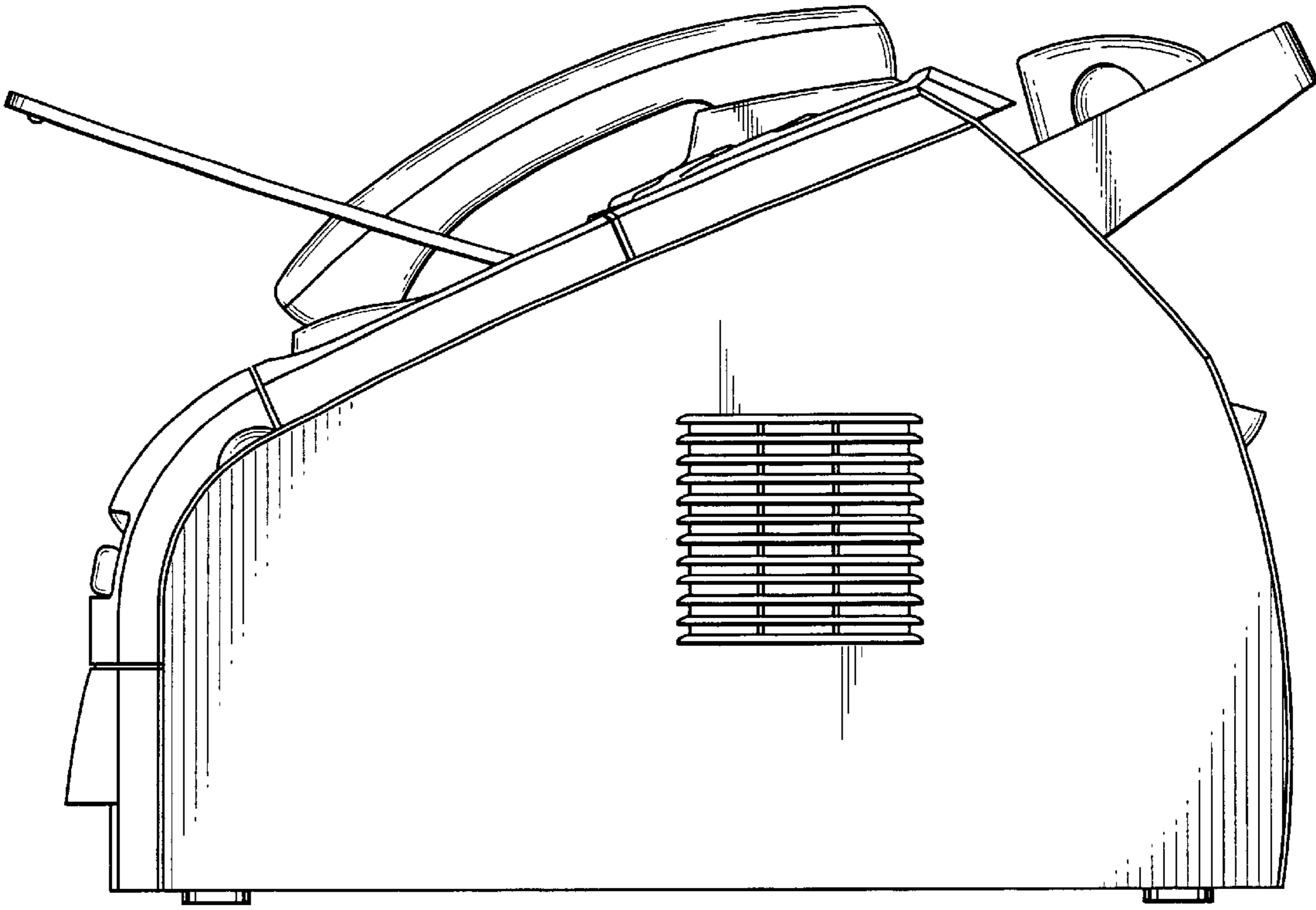


FIG. 4

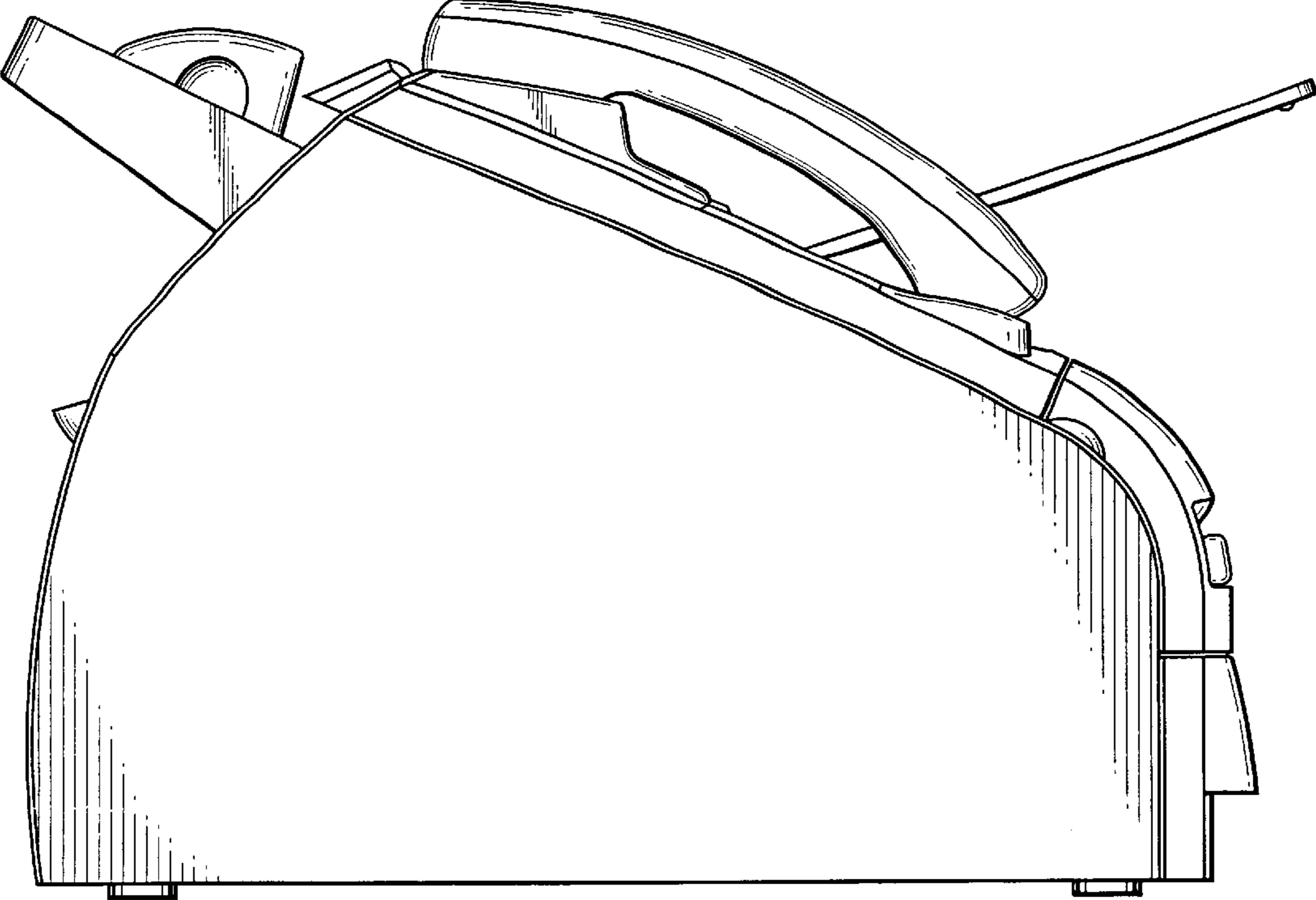


FIG. 5

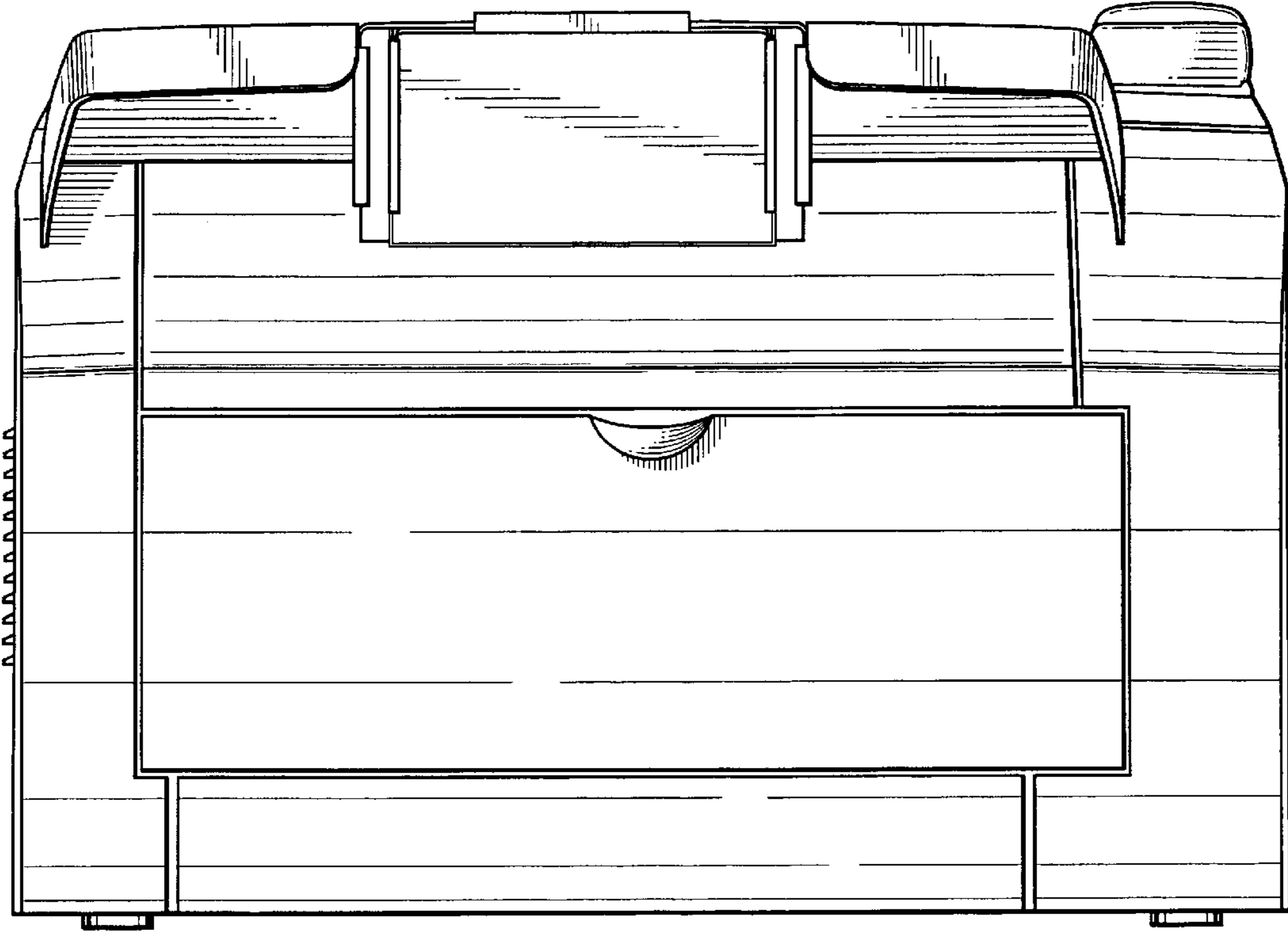


FIG. 6

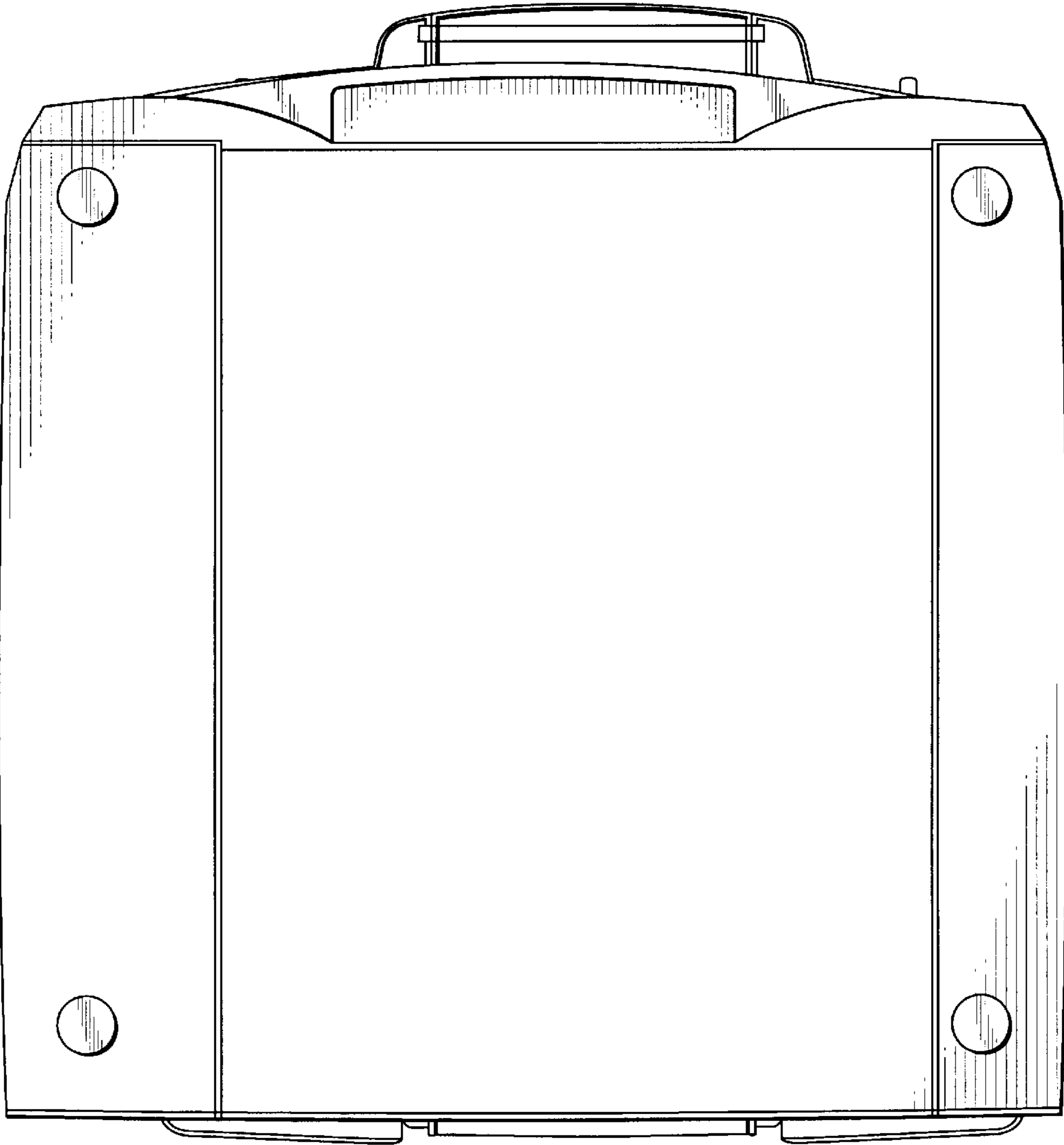


FIG. 7

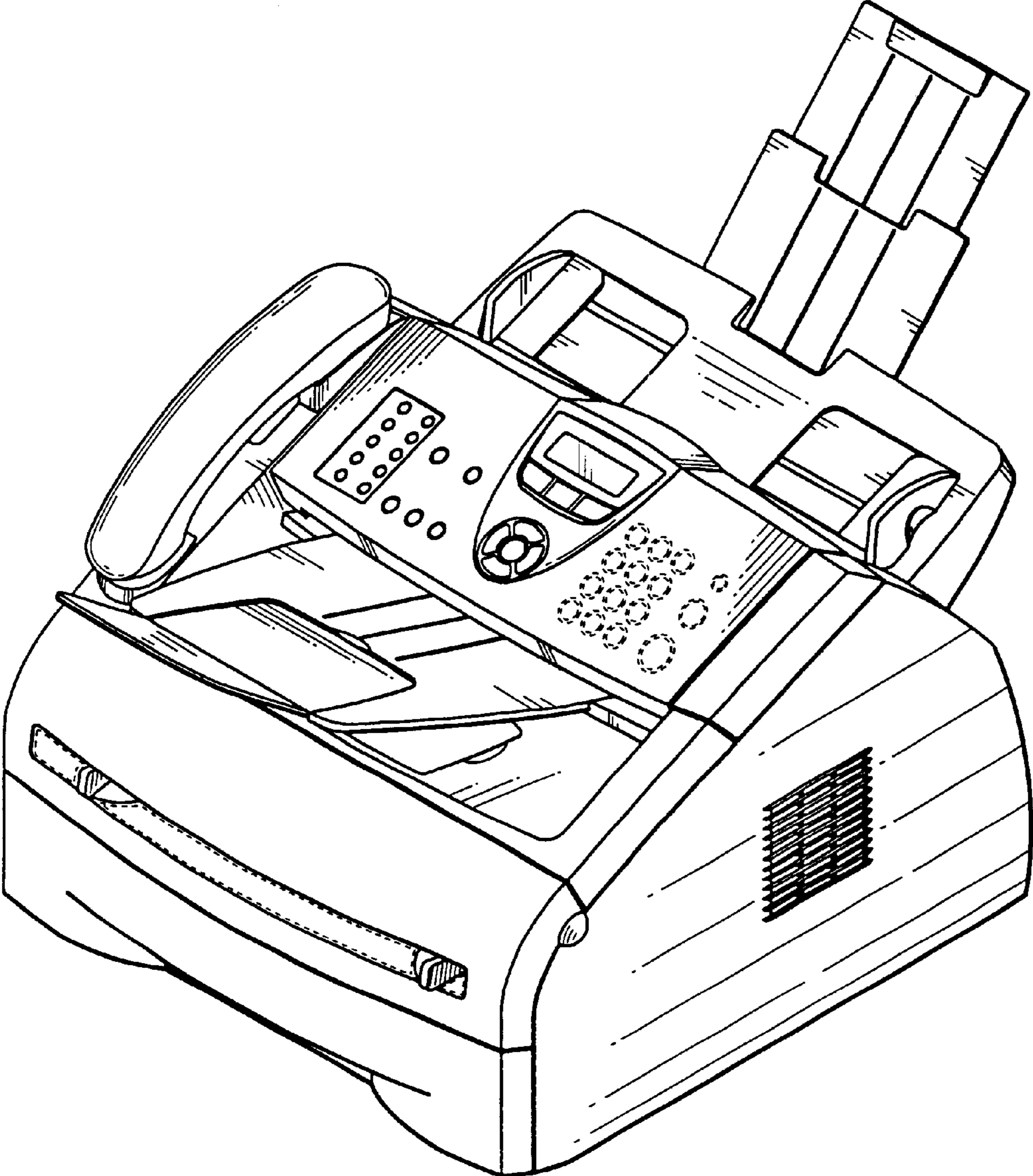


FIG. 8