

US00D517561S

(12) **United States Design Patent**
Hsu

(10) **Patent No.:** **US D517,561 S**
(45) **Date of Patent:** **** Mar. 21, 2006**

(54) **FACE PLATE FOR COMPUTER HOUSING**

D485,842 S * 1/2004 Dearborn et al. D14/432

(75) Inventor: **Huang-Yao Hsu**, Taipei (TW)

* cited by examiner

(73) Assignee: **Shuttle, Inc.**, Taipei (TW)

Primary Examiner—Freda S. Nunn

(**) Term: **14 Years**

(57) **CLAIM**

(21) Appl. No.: **29/212,227**

The ornamental design for a face plate for computer housing, as shown and described.

(22) Filed: **Aug. 30, 2004**

DESCRIPTION

(51) **LOC (8) Cl.** **14-02**

FIG. 1 is a perspective view of a face plate for computer housing showing my new design;

(52) **U.S. Cl.** **D14/441**

FIG. 2 is a front view thereof;

(58) **Field of Classification Search** D14/441-446,

FIG. 3 is a rear view thereof;

D14/383, 432; D13/162, 184, 199; 312/223.2;

FIG. 4 is a left side view thereof;

360/99.01-99.12; 361/680-686, 690-696;

FIG. 5 is a right side view thereof;

369/34.01, 36.01

FIG. 6 is a top view thereof;

See application file for complete search history.

FIG. 7 is a bottom view thereof; and,

(56) **References Cited**

FIG. 8 is a perspective view showing the face plate for computer housing in use.

U.S. PATENT DOCUMENTS

The broken line showing of a computer housing is for illustrative purposes only and forms no part of the claimed design.

D362,248 S * 9/1995 Marotti et al. D14/442

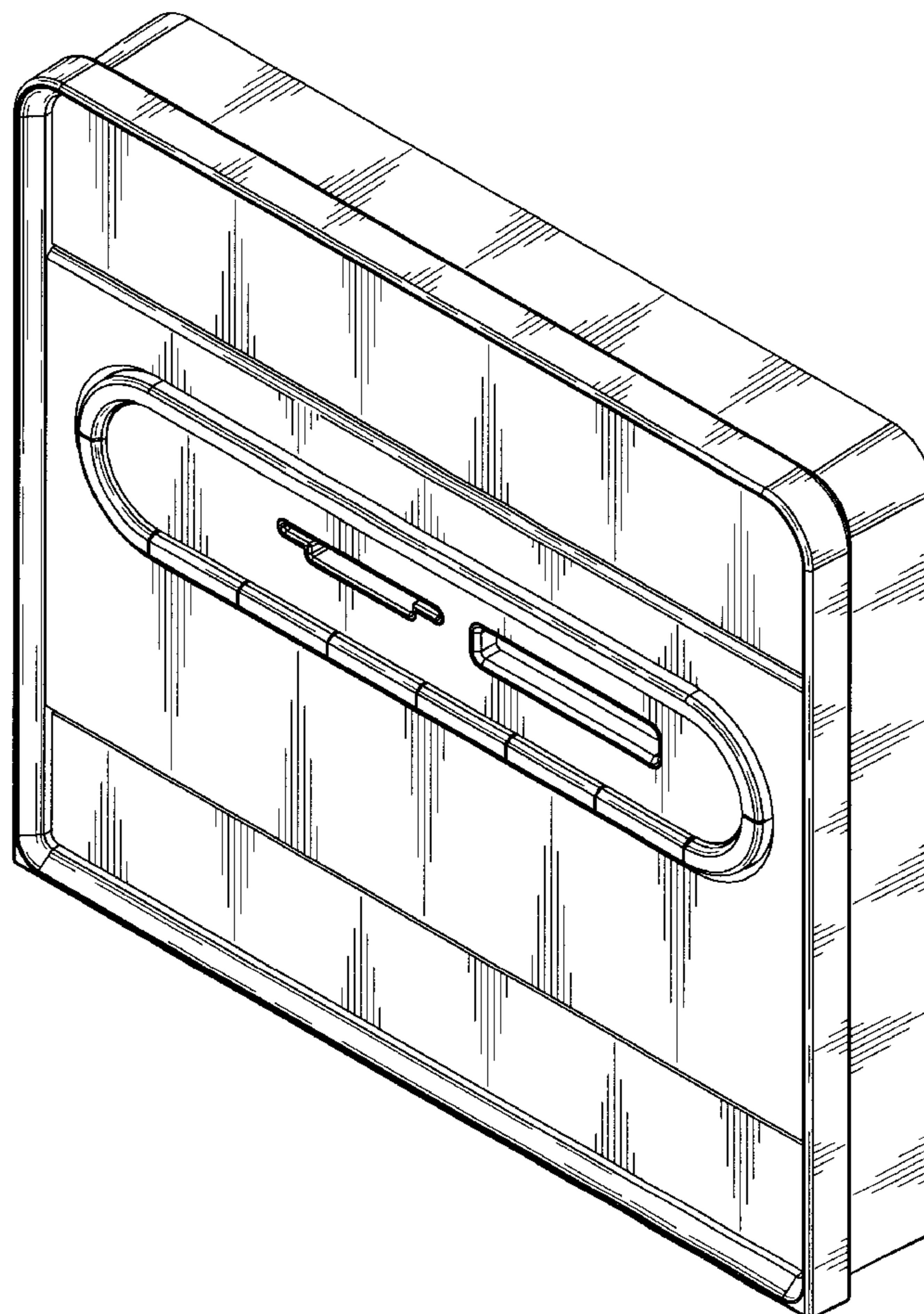
D387,342 S * 12/1997 Connell et al. D14/443

D409,988 S * 5/1999 Otis et al. D14/441

D447,140 S * 8/2001 Mittler D14/383

D479,718 S * 9/2003 Herrmann et al. D14/441

1 Claim, 6 Drawing Sheets



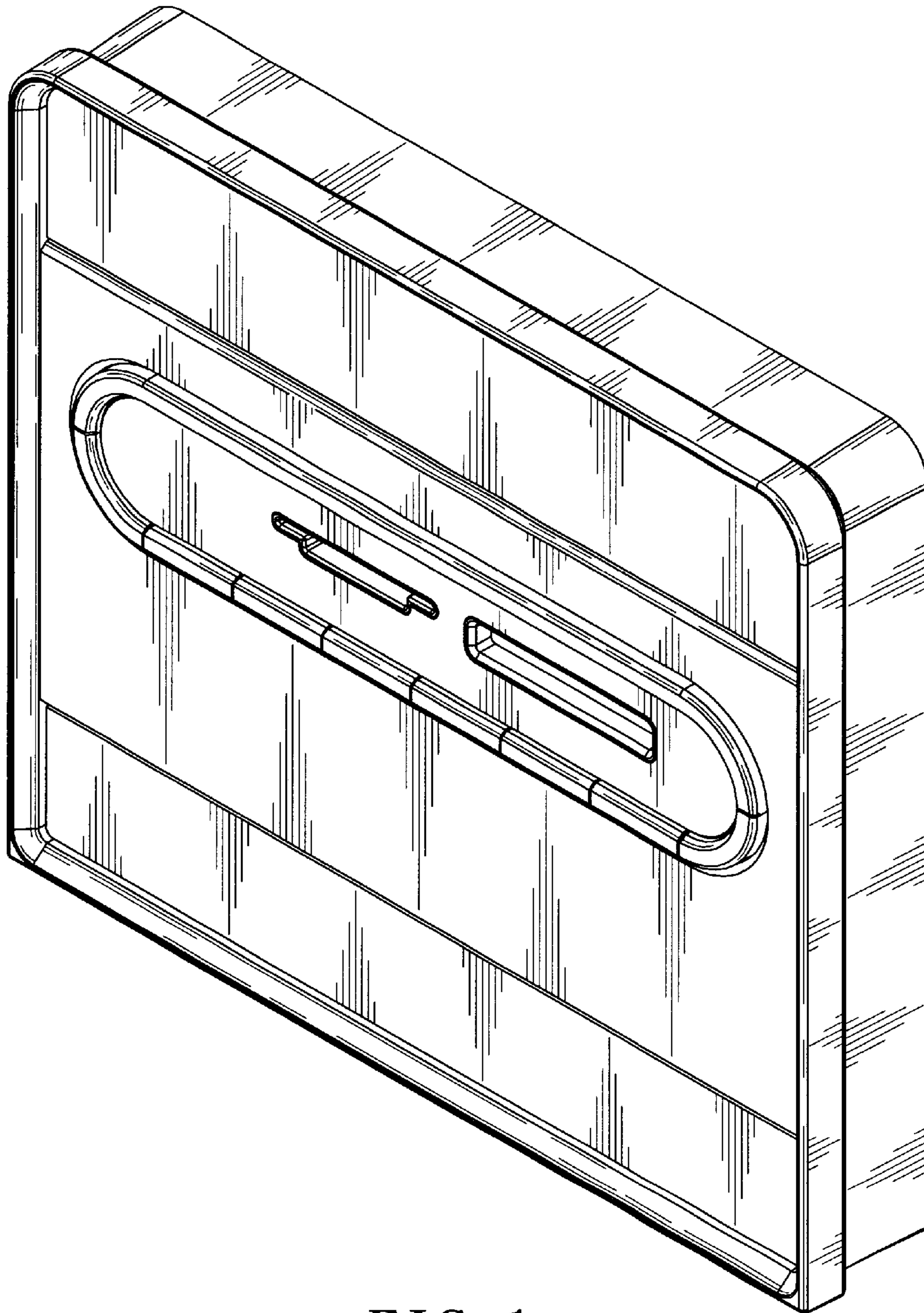


FIG. 1

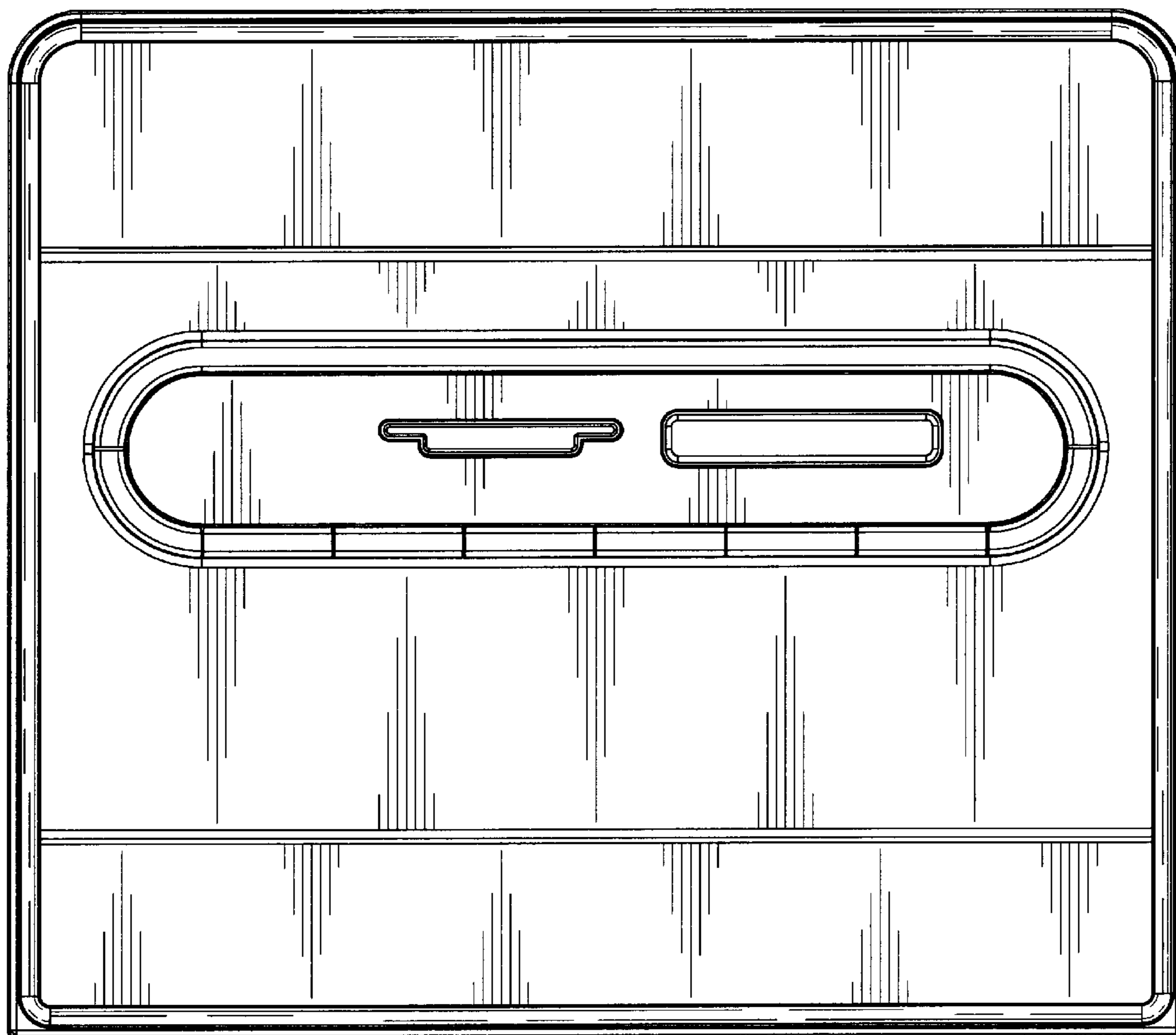


FIG. 2

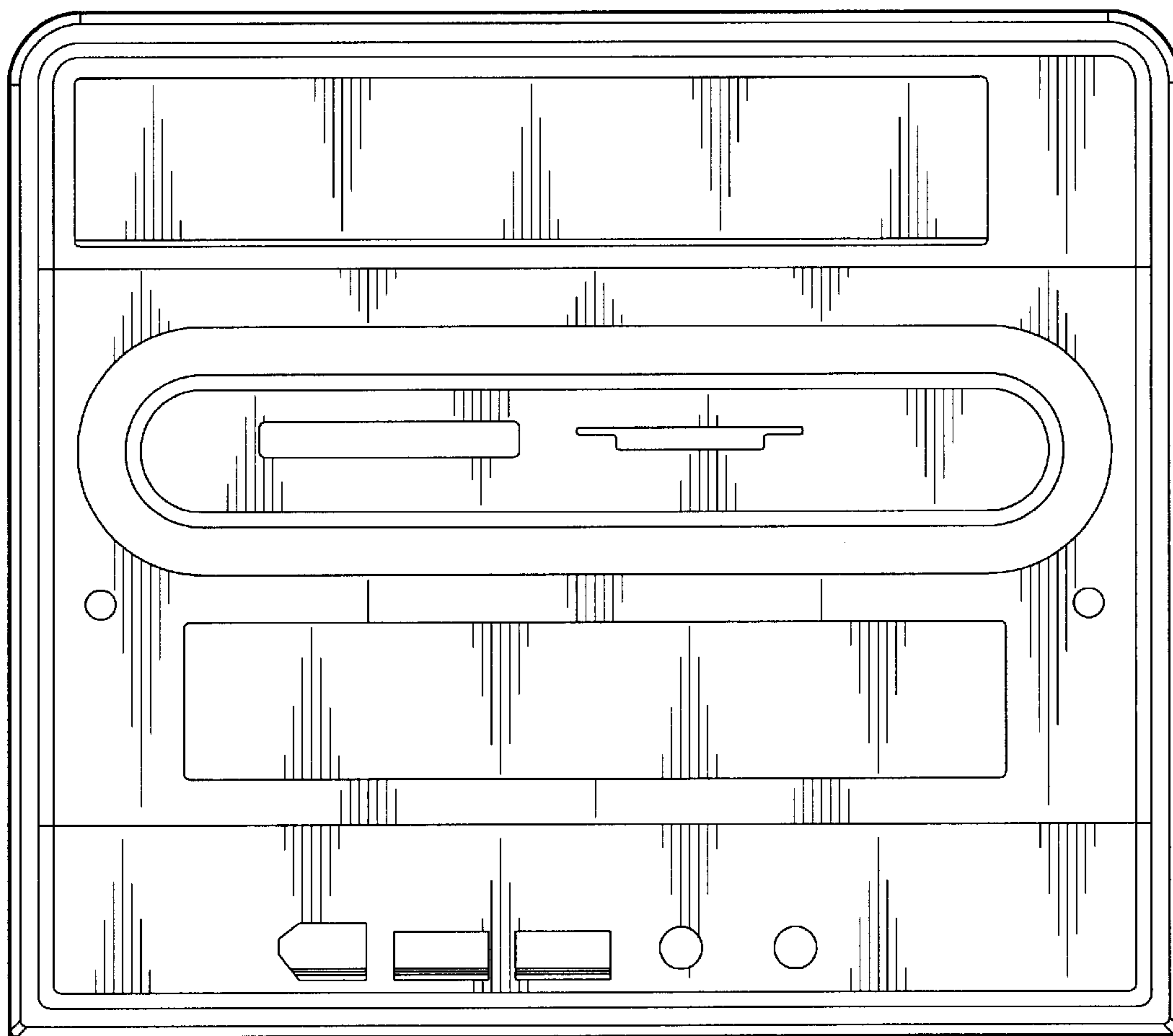


FIG. 3

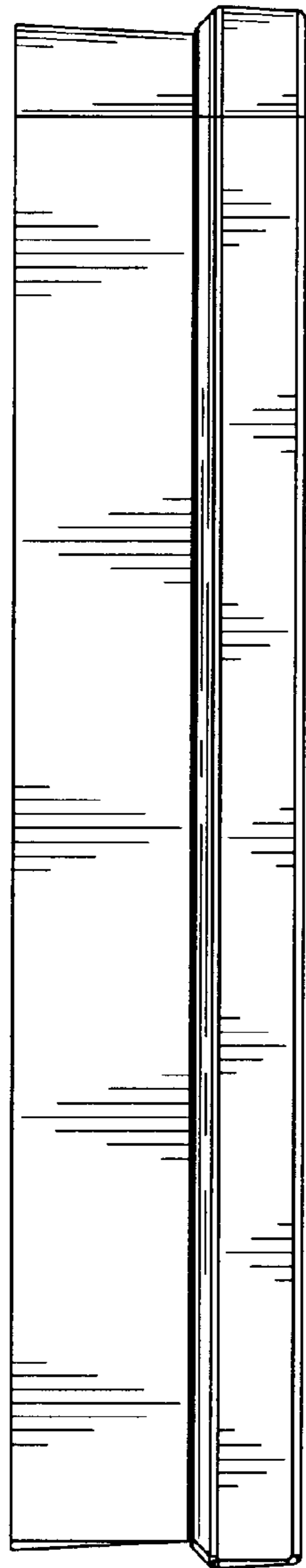


FIG. 4

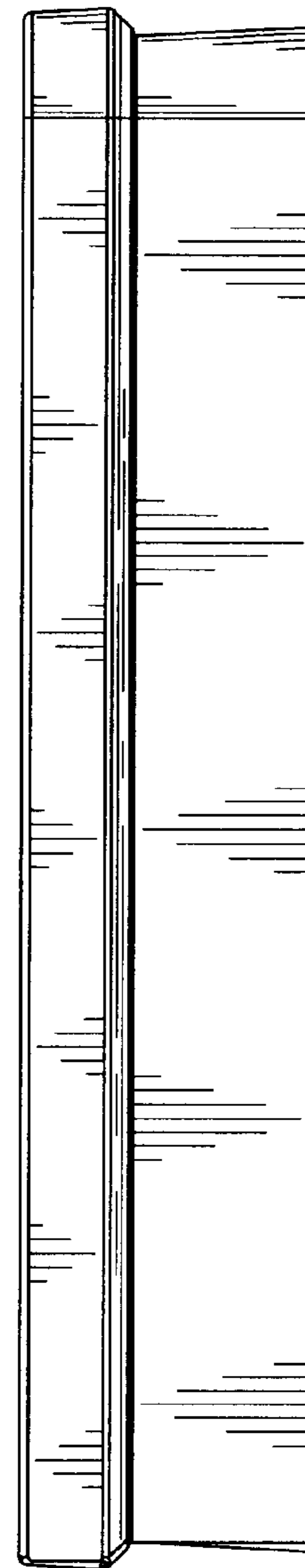


FIG. 5

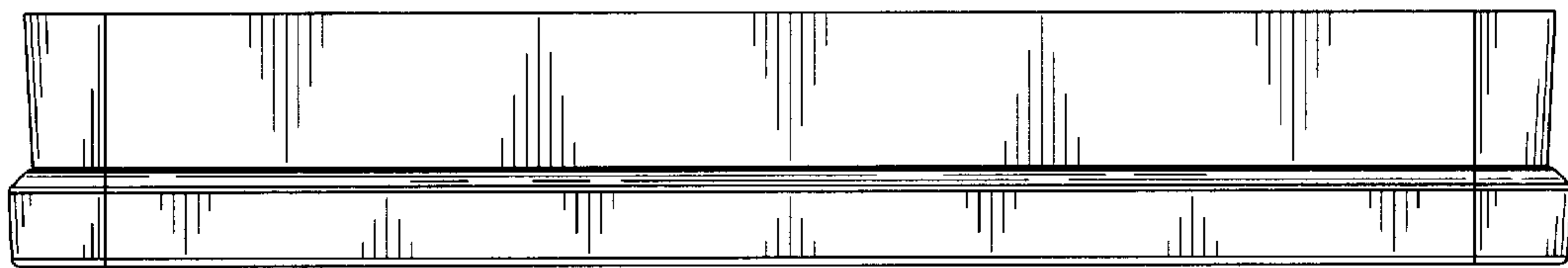


FIG. 6

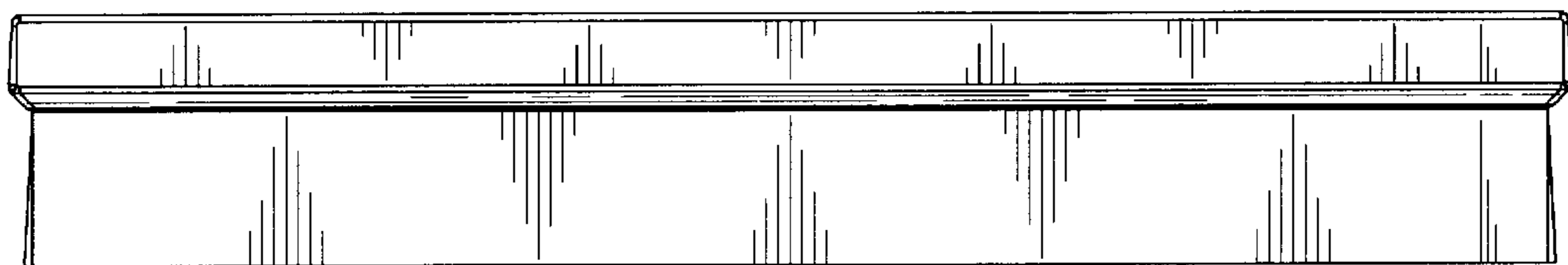


FIG. 7

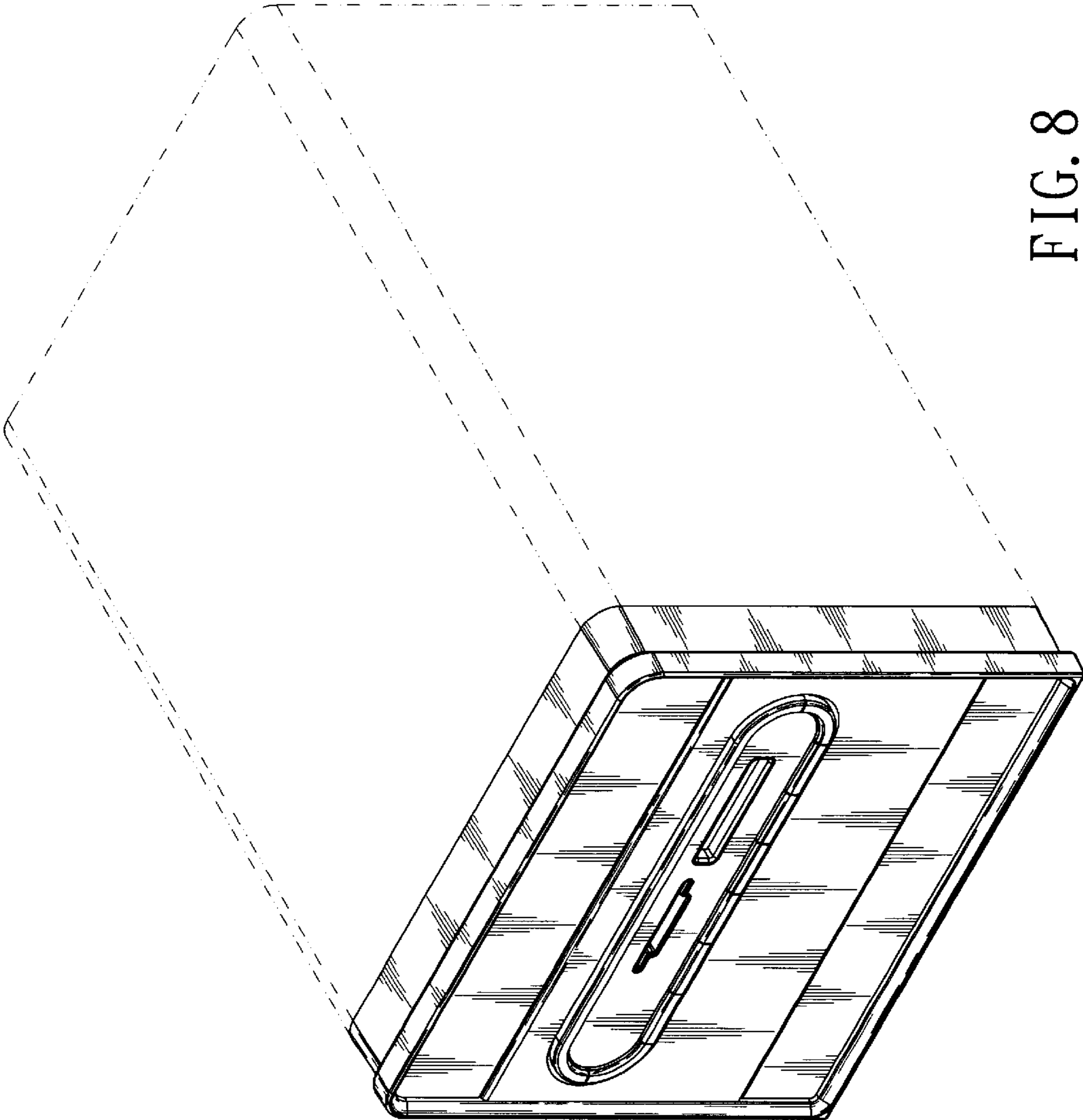


FIG. 8