



US00D517560S

(12) **United States Design Patent**
Wang et al.

(10) **Patent No.:** **US D517,560 S**
(45) **Date of Patent:** **** Mar. 21, 2006**

(54) **COMPUTER HAVING A DRIVE CARRIER**

(75) Inventors: **Qiang Wang**, Cypress, TX (US);
Donald Caballero, Humble, TX (US);
John Marino, Cypress, TX (US)

(73) Assignee: **Hewlett-Packard Development Company, L.P.**, Houston, TX (US)

(**) Term: **14 Years**

(21) Appl. No.: **29/209,868**

(22) Filed: **Jul. 21, 2004**

(51) **LOC (8) Cl.** **14-02**

(52) **U.S. Cl.** **D14/439**

(58) **Field of Classification Search** D14/363,
D14/366, 367-370, 439; D13/162, 184, 199;
361/680-686; 360/98.01, 98.04

See application file for complete search history.

(56) **References Cited**

U.S. PATENT DOCUMENTS

4,941,841	A	*	7/1990	Darden et al.	361/685
D399,193	S	*	10/1998	Chang	D14/367
6,088,221	A		7/2000	Bologna		
D434,395	S		11/2000	Mazzetti et al.		
6,154,361	A	*	11/2000	Anderson et al.	361/685
D442,151	S		5/2001	Mazzetti et al.		
6,247,944	B1		6/2001	Bologna et al.		
6,302,714	B1		10/2001	Bologna et al.		
D455,752	S		4/2002	Gant et al.		
D458,924	S		6/2002	Tsuyuki et al.		

6,442,021	B1		8/2002	Bologna et al.		
6,473,300	B1	*	10/2002	Youngquist et al.	361/685
D470,486	S	*	2/2003	Cheng	D14/363
D473,197	S	*	4/2003	Bovell	D13/182
D476,631	S	*	7/2003	Frank et al.	D13/182
D481,393	S	*	10/2003	Alo et al.	D14/439
6,661,651	B1		12/2003	Tanzer et al.		
2003/0011979	A1	*	1/2003	Tanzer et al.	361/685

* cited by examiner

Primary Examiner—Freda S. Nunn

(57) **CLAIM**

The ornamental design for a computer having a drive carrier, as shown and described.

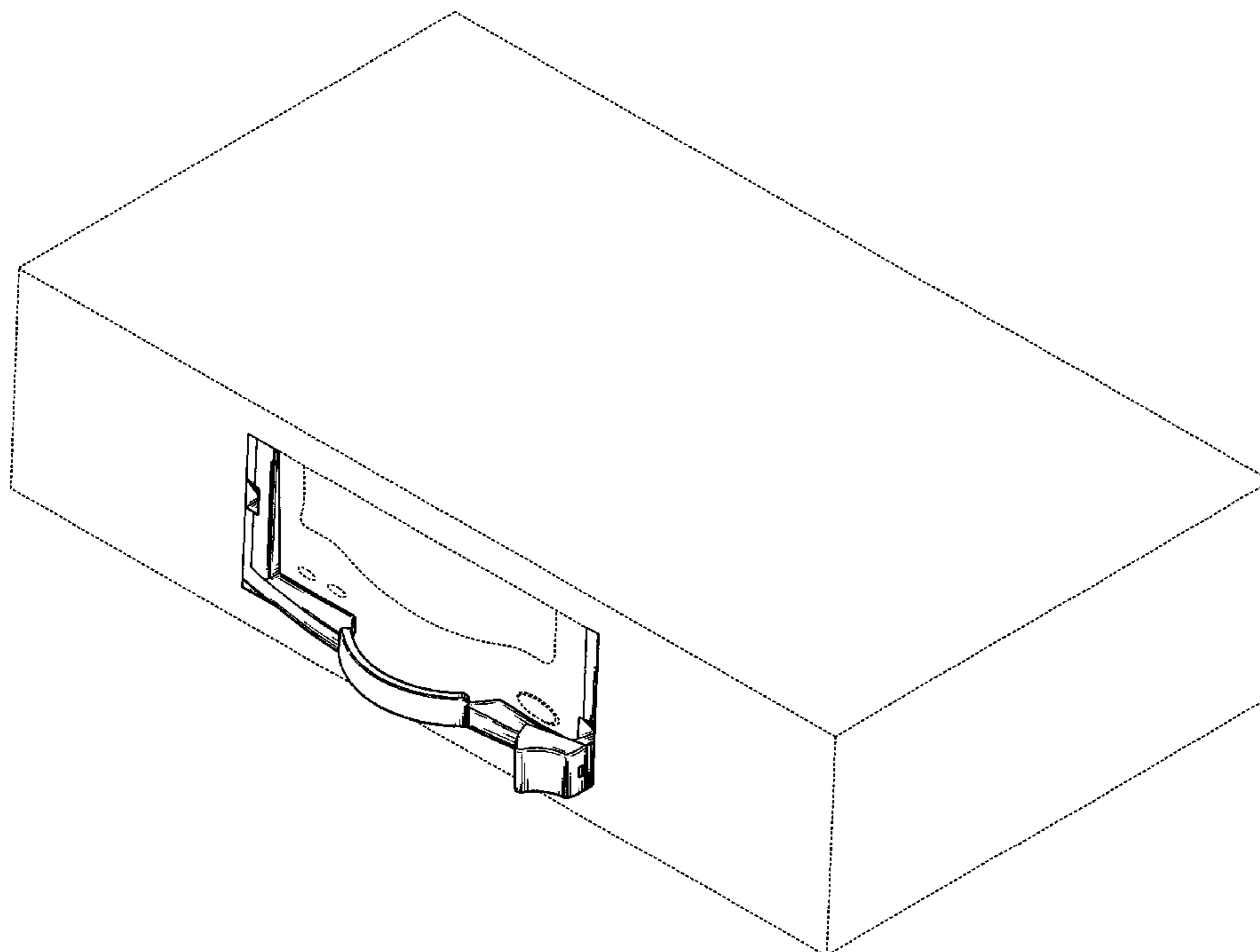
DESCRIPTION

FIG. 1 is a perspective view of the design for the computer having a drive carrier, wherein broken lines illustrate environmental features including the drive disposed in the drive carrier, and the computer in which the drive carrier removably supports the drive; and,

FIG. 2 is a partial front elevational view of the design for the computer having a drive carrier of FIG. 1, wherein broken lines illustrate environmental features including the drive disposed in the drive carrier, and the computer in which the drive carrier removably supports the drive.

In these drawings, the solid lines illustrate the claimed ornamental design, whereas the broken lines illustrate environmental features that form no part of the claimed ornamental design.

1 Claim, 2 Drawing Sheets



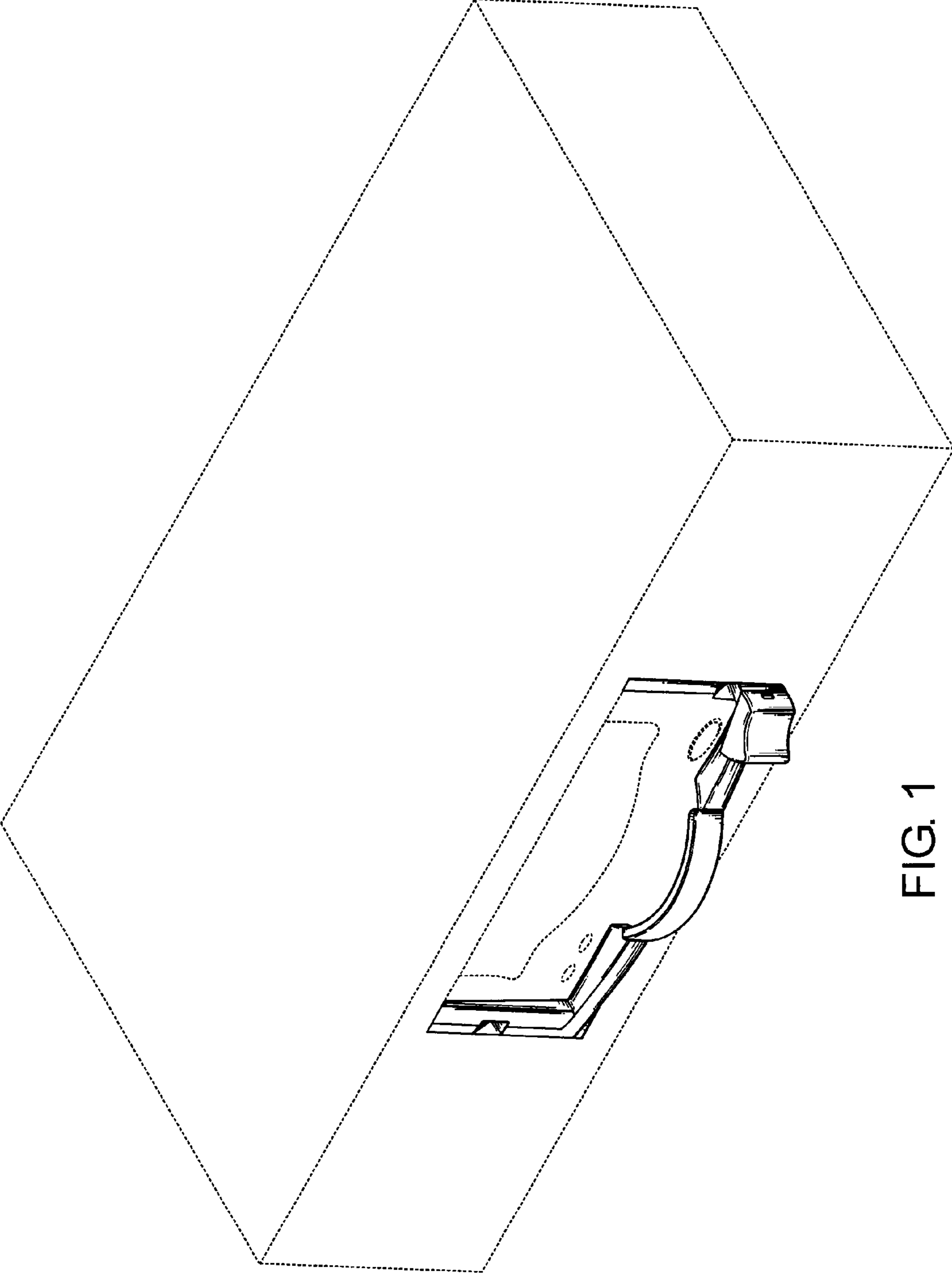


FIG. 1

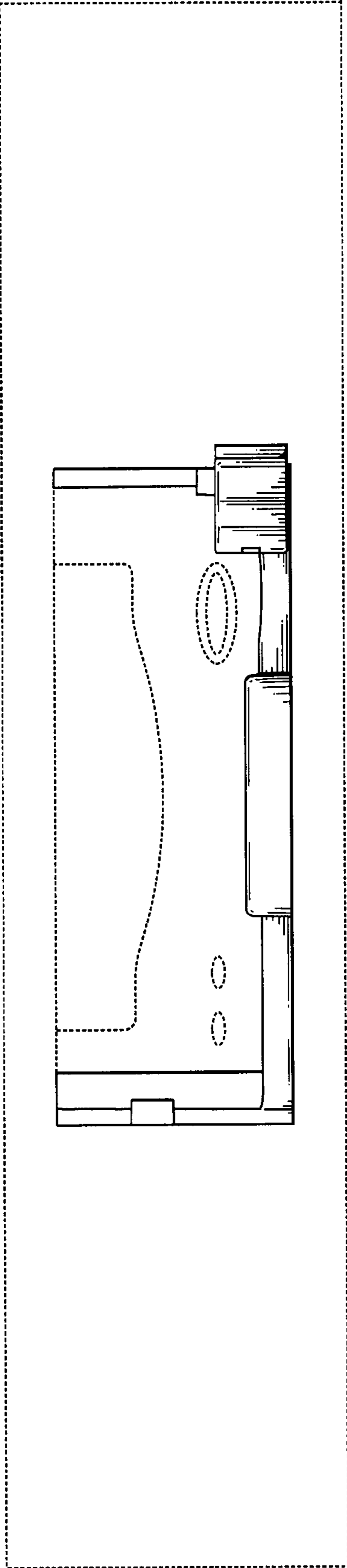


FIG. 2