



US00D517557S

(12) **United States Design Patent**  
**Brassard**

(10) **Patent No.:** **US D517,557 S**  
(45) **Date of Patent:** **\*\* Mar. 21, 2006**

(54) **PDA MOUNT**

(76) **Inventor:** **Paul Brassard**, 20 La Porte, Arcadia,  
CA (US) 91006

(\*\*) **Term:** **14 Years**

(21) **Appl. No.:** **29/220,211**

(22) **Filed:** **Dec. 28, 2004**

(51) **LOC (8) Cl.** ..... **14-02**

(52) **U.S. Cl.** ..... **D14/434**

(58) **Field of Classification Search** ..... D14/434,  
D14/447, 432, 433, 385, 357; D13/199, 107,  
D13/108, 118; 361/600, 679, 683, 686; 200/6 R;  
206/701; 320/113-115

See application file for complete search history.

(56) **References Cited**

**U.S. PATENT DOCUMENTS**

5,248,264 A	*	9/1993	Long et al.	.....	439/347
D415,133 S	*	10/1999	Mah	.....	D14/432
D429,242 S	*	8/2000	Sun	.....	D14/253
D429,487 S	*	8/2000	Loh et al.	.....	D14/447

D431,250 S	*	9/2000	Richter	.....	D14/447
D456,024 S	*	4/2002	Richter	.....	D14/434
D469,438 S	*	1/2003	Corrales	.....	D14/432
D470,146 S	*	2/2003	Tan et al.	.....	D14/432
2003/0116631 A1	*	6/2003	Salvato et al.	.....	235/472.01

\* cited by examiner

*Primary Examiner*—Alan P. Douglas

*Assistant Examiner*—Susan Moon Lee

(74) *Attorney, Agent, or Firm*—James E. Brunton, Esq.

(57) **CLAIM**

The ornamental design for a PDA mount, as shown.

**DESCRIPTION**

FIG. 1 is a perspective view of a “PDA mount” showing my new design;

FIG. 2 is a front view thereof;

FIG. 3 is a rear view thereof;

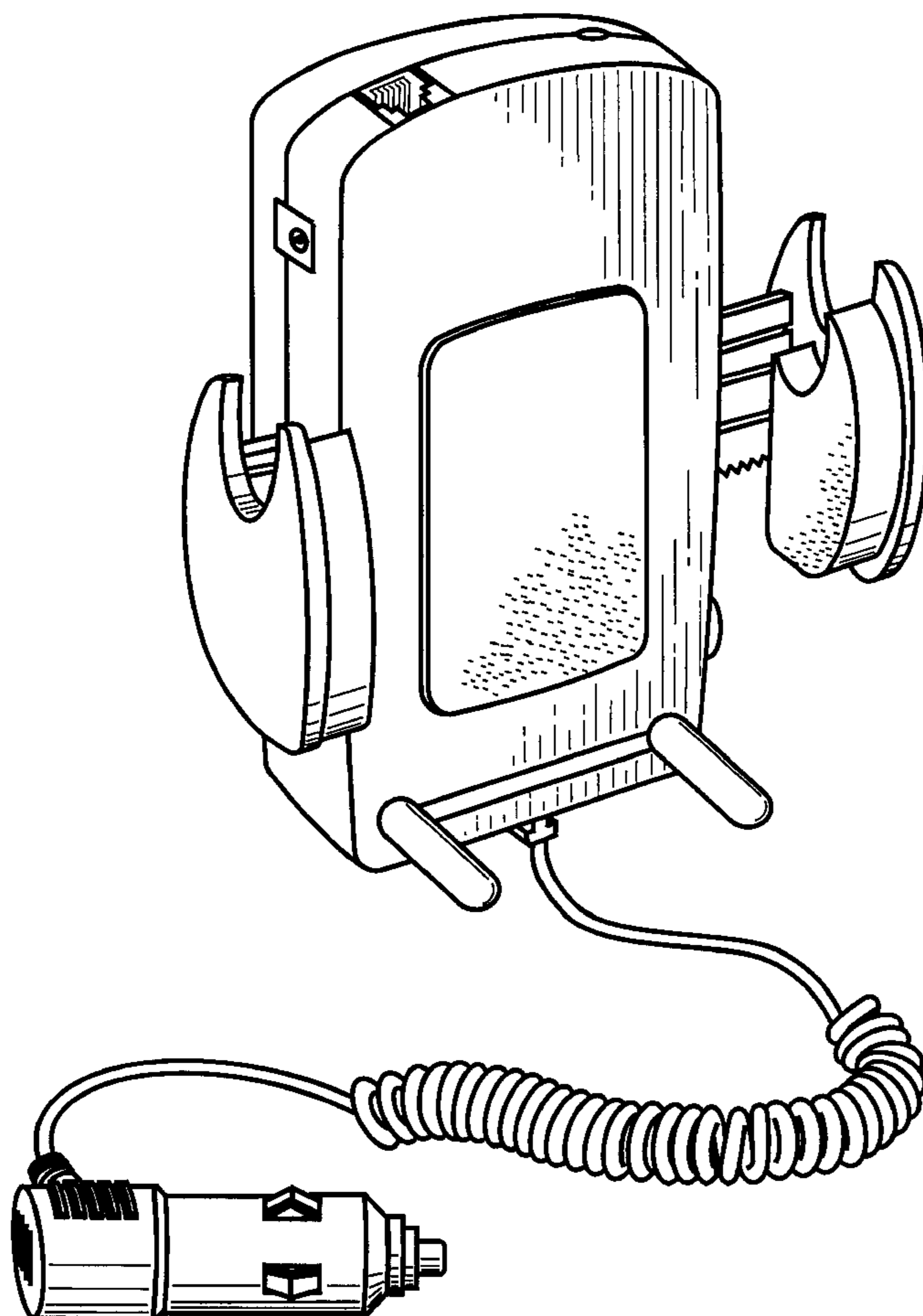
FIG. 4 is a right side view thereof;

FIG. 5 is a left side view thereof;

FIG. 6 is a top plan view thereof; and,

FIG. 7 is a bottom plan view thereof.

**1 Claim, 4 Drawing Sheets**



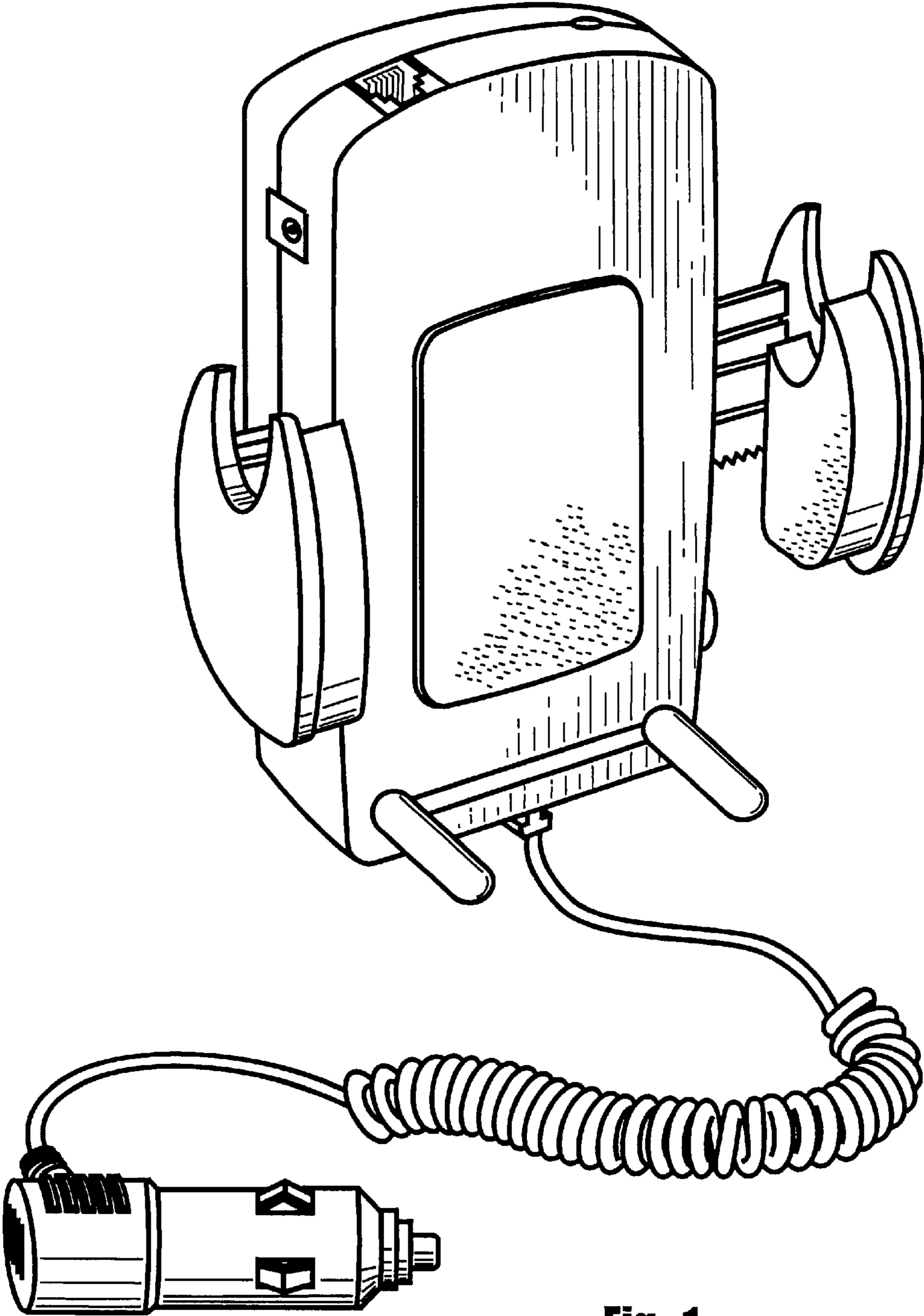
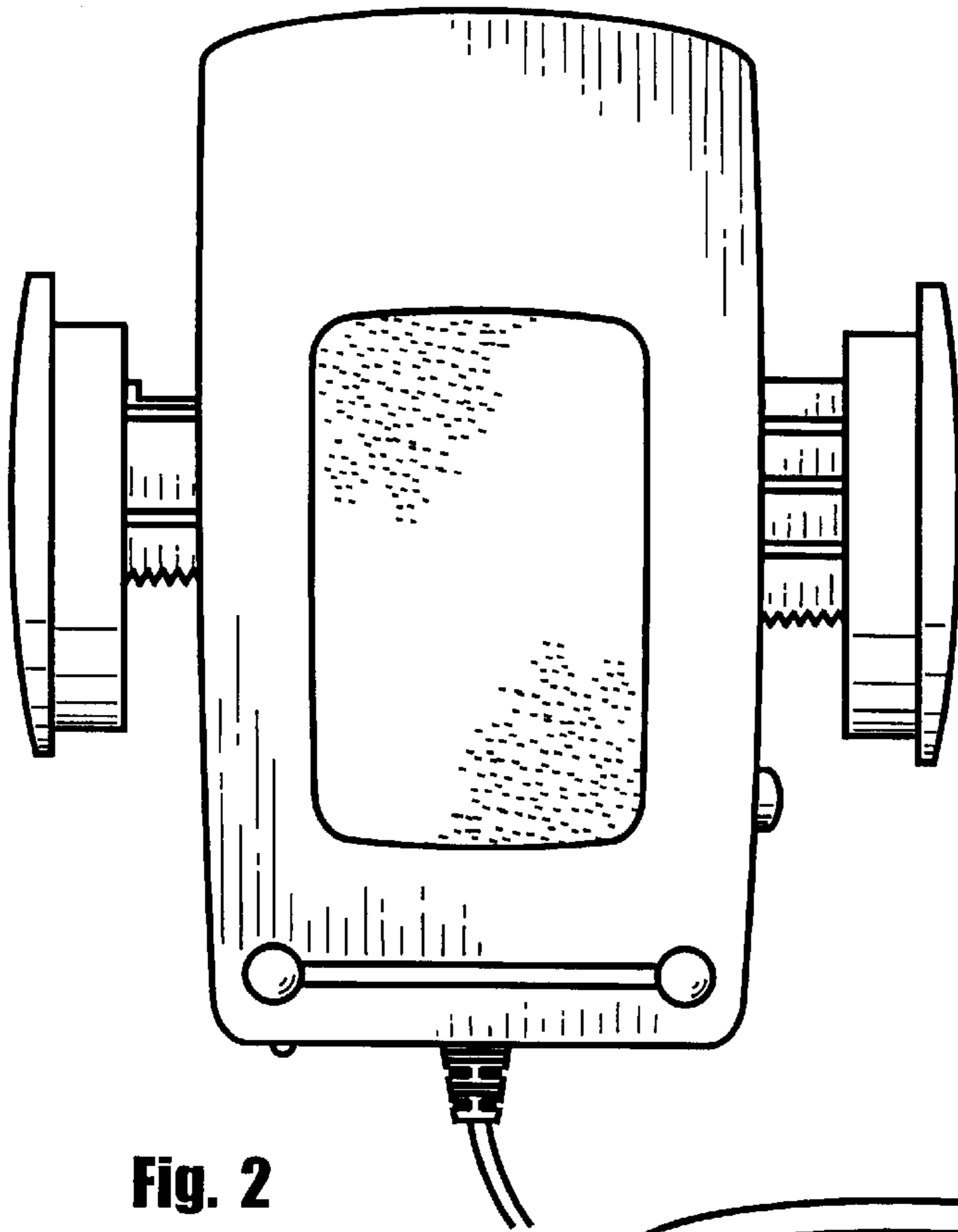
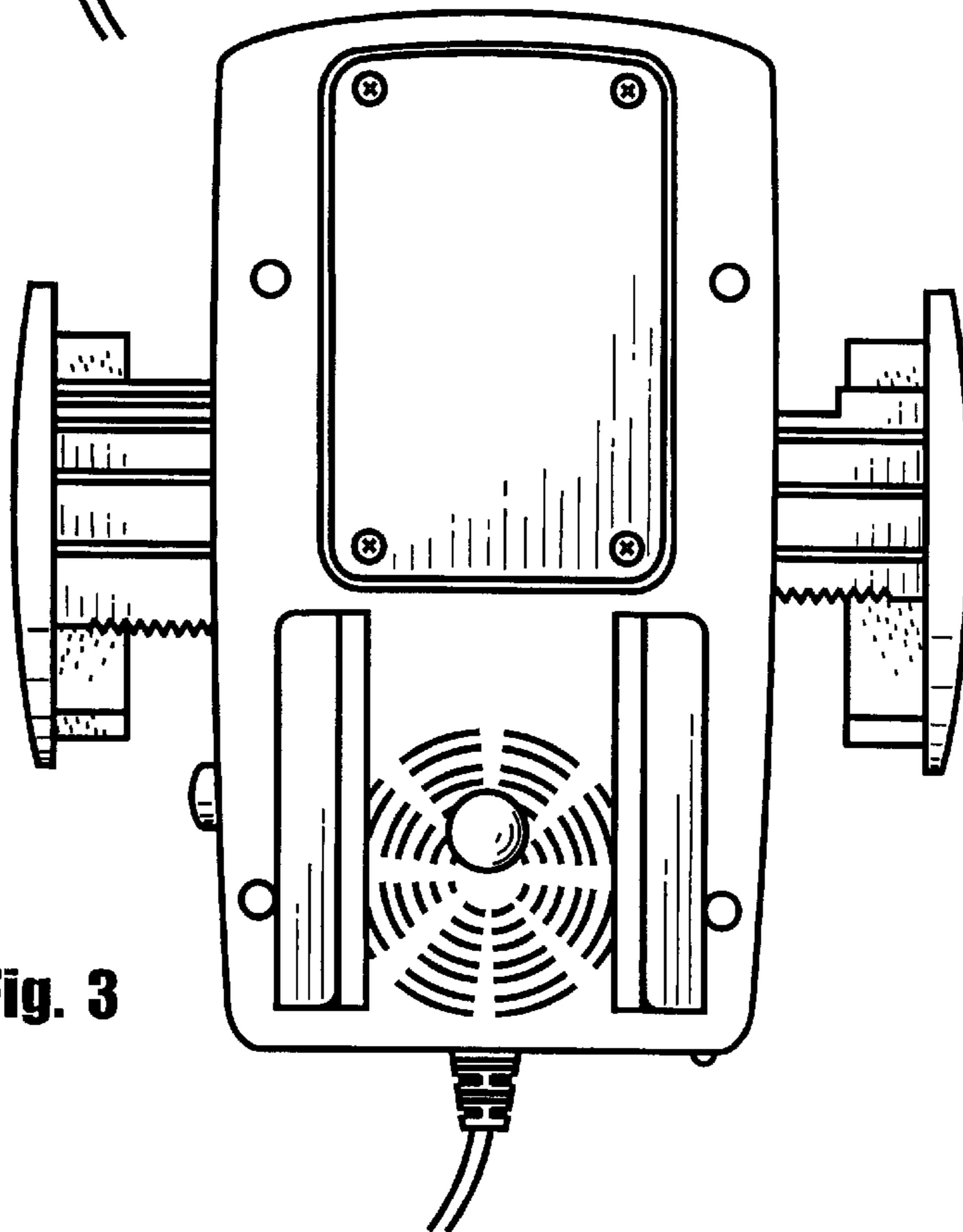


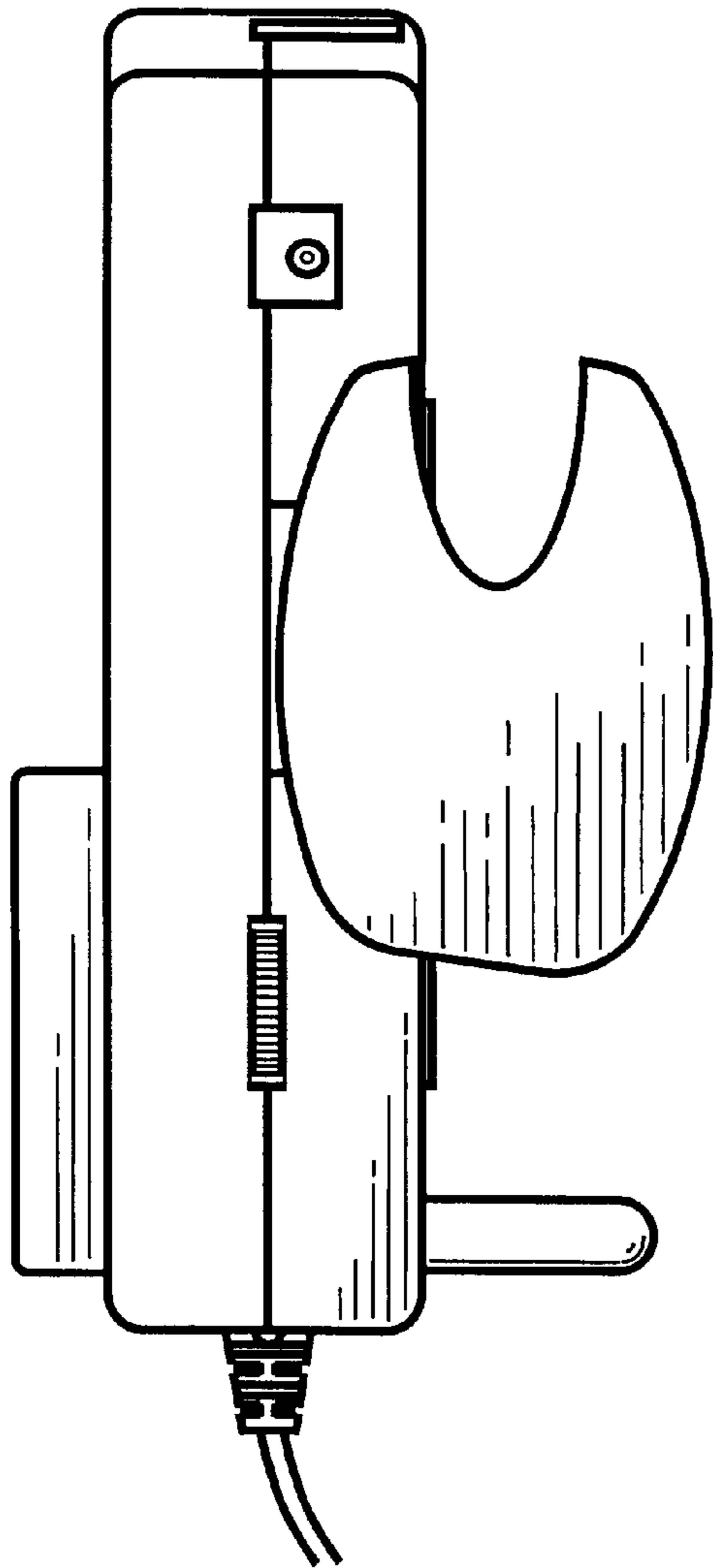
Fig. 1



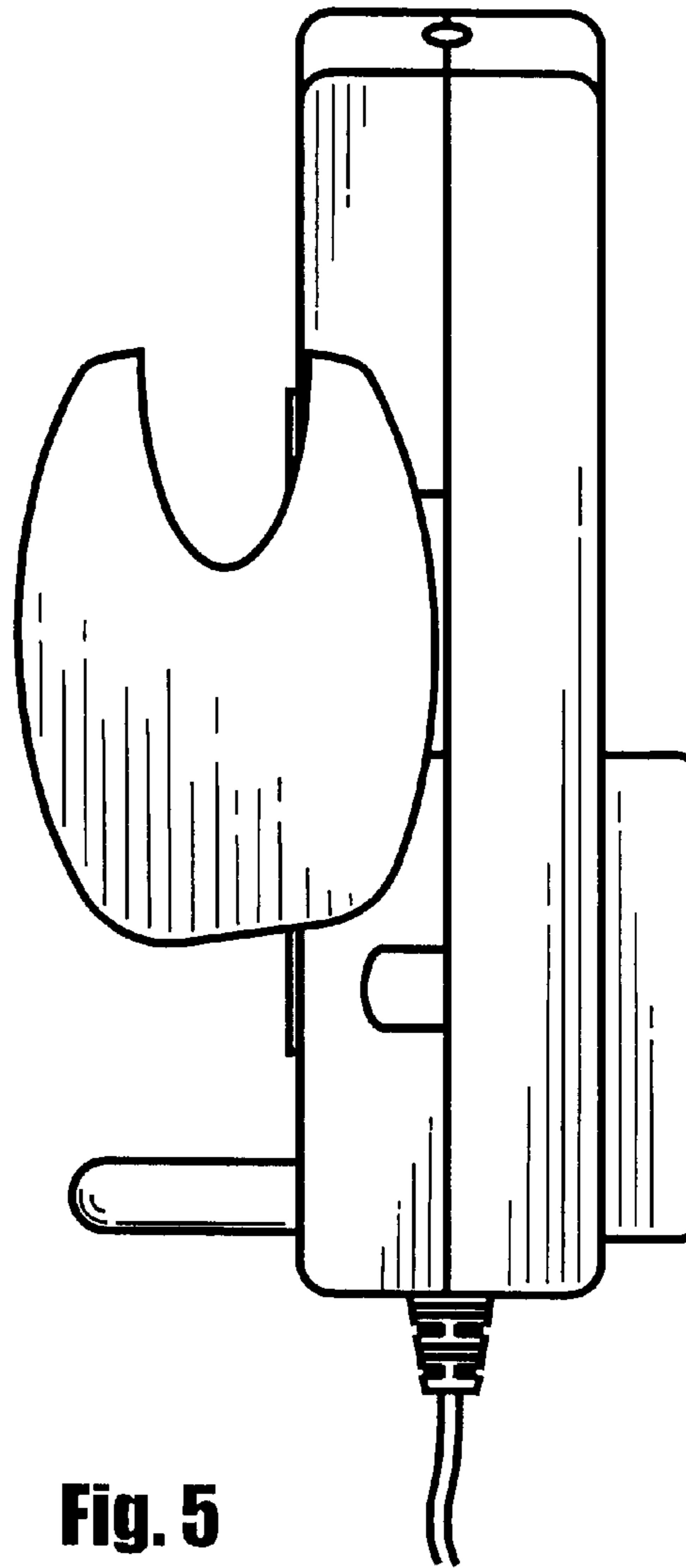
**Fig. 2**



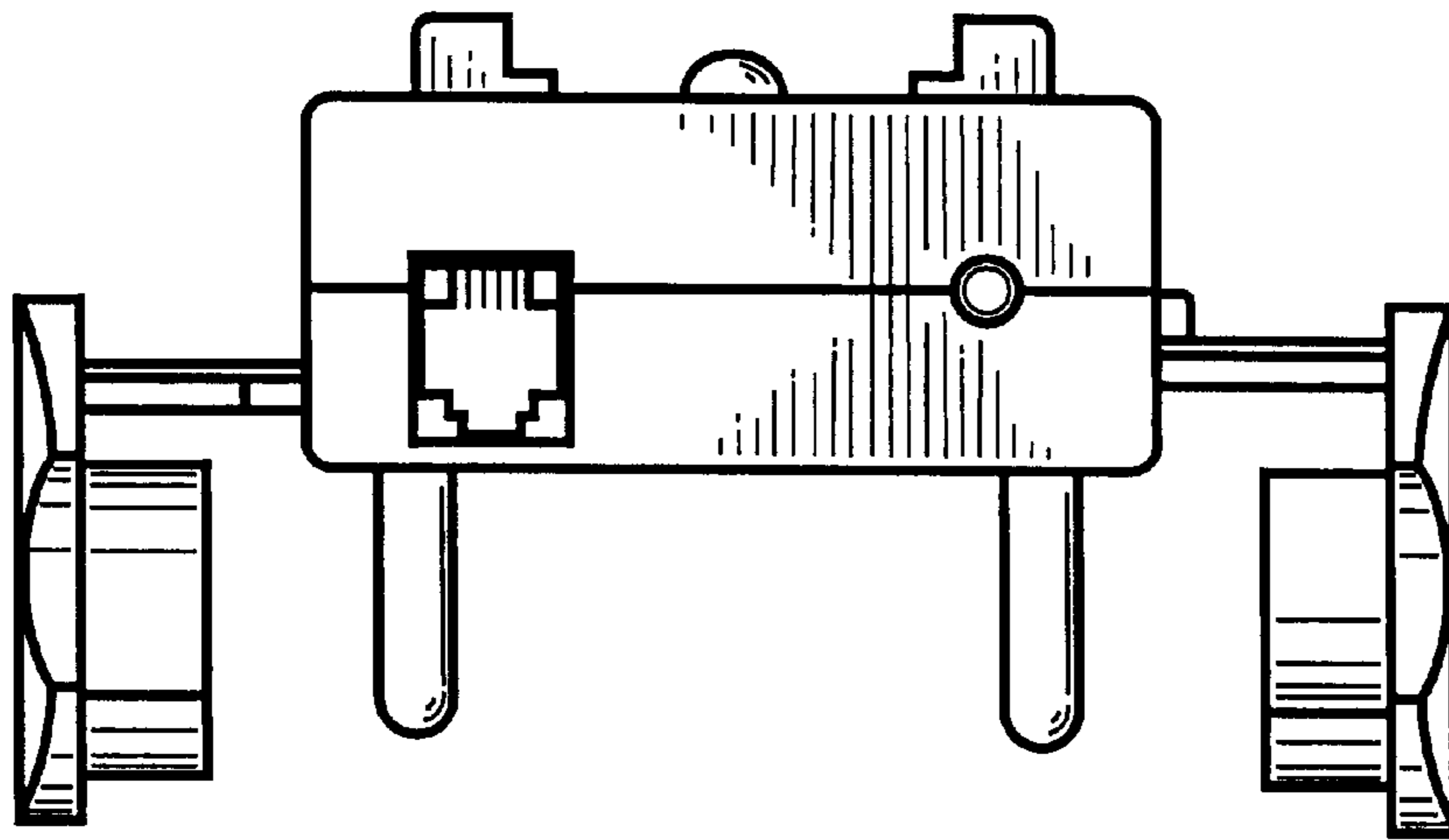
**Fig. 3**



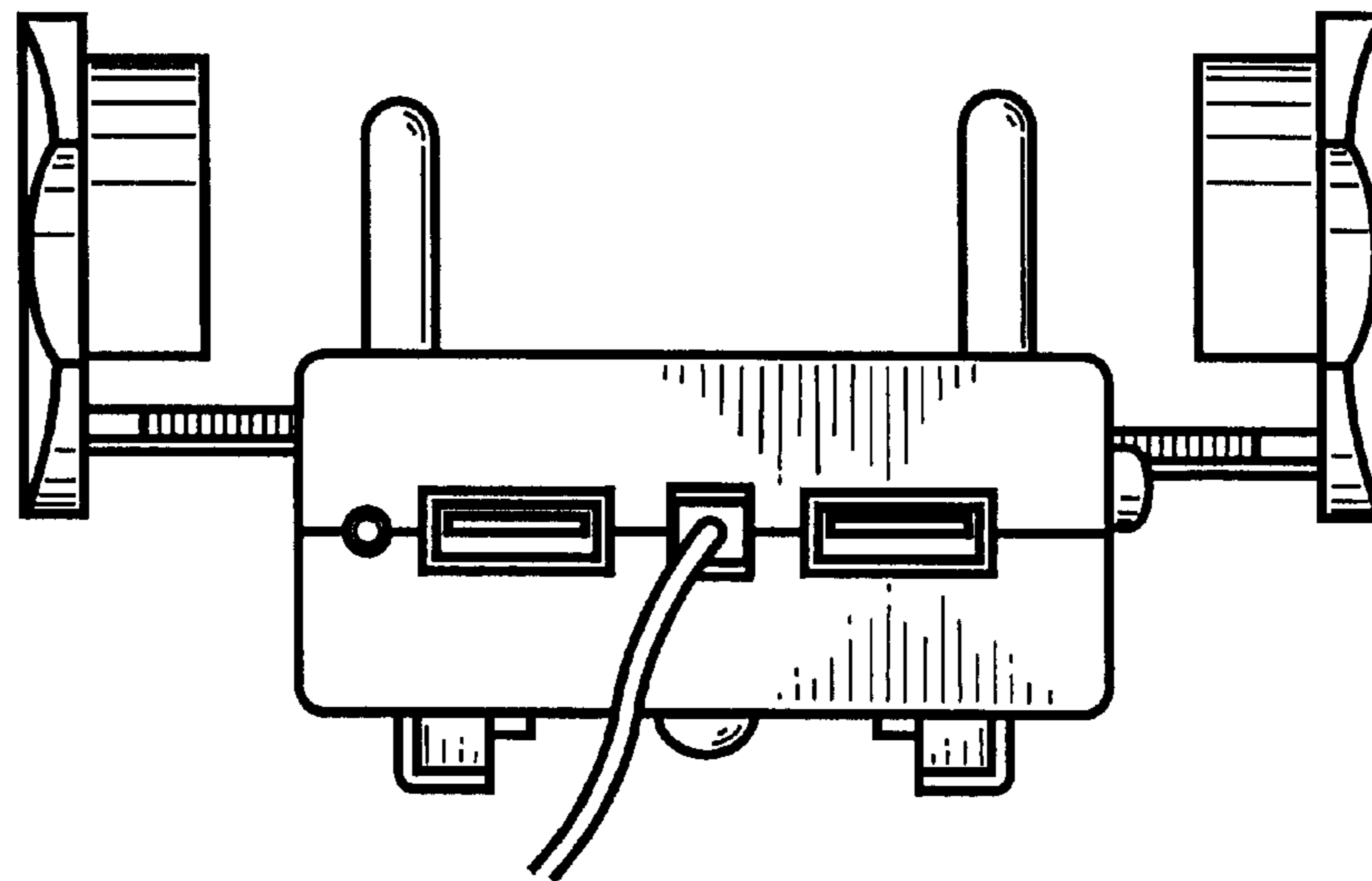
**Fig. 4**



**Fig. 5**



**Fig. 6**



**Fig. 7**