



US00D517552S

(12) **United States Design Patent**  
**Sakamoto et al.**

(10) **Patent No.:** **US D517,552 S**  
(45) **Date of Patent:** **\*\* Mar. 21, 2006**

(54) **KEYBOARD**

(75) Inventors: **Toru Sakamoto**, Tokyo (JP); **Yoshiya Watanabe**, Tokyo (JP); **Yasuhisa Kaneda**, Tokyo (JP); **Kanae Fukamatsu**, Tokyo (JP); **Michio Deguchi**, Tokyo (JP)

(73) Assignee: **Sony Computer Entertainment Inc.**, Tokyo (JP)

(\*\*) Term: **14 Years**

(21) Appl. No.: **29/216,870**

(22) Filed: **Nov. 10, 2004**

(30) **Foreign Application Priority Data**

May 10, 2004 (JP) ..... D2004-013735

(51) **LOC (8) Cl.** ..... **14-02**

(52) **U.S. Cl.** ..... **D14/390**

(58) **Field of Classification Search** ..... D14/455,  
D14/392, 320, 388, 356, 390, 391, 394, 396,  
D14/399, 400, 401, 432; 200/6 R, 7, 5 A;  
235/145 R, 146, 145 A; 341/22, 23; 345/168,  
345/169, 156; 400/485, 82, 88, 700, 472,  
400/556.1-556.2; 455/554.2, 557, 560, 73,  
455/74, 74.1; 248/309.1, 300; 713/300; 463/1,  
463/47, 37, 48, 40-43; D18/2, 7, 12.2; 178/17 A,  
178/17 C, 18.03; 361/680; 379/433.07, 447,  
379/455

See application file for complete search history.

(56) **References Cited**

**U.S. PATENT DOCUMENTS**

- 3,244,369 A \* 4/1966 Nassimbene ..... 235/145 R
- 4,615,629 A \* 10/1986 Power ..... 400/486
- D320,598 S \* 10/1991 Auerbach et al. .... D14/392
- D322,606 S \* 12/1991 Muller et al. .... D14/399
- 5,288,158 A \* 2/1994 Matias ..... 400/472
- D368,708 S 4/1996 Maynard
- 5,638,257 A \* 6/1997 Kumar et al. .... 361/680
- 5,733,056 A \* 3/1998 Meagher ..... 400/472
- 5,941,648 A \* 8/1999 Robinson et al. .... 400/82

- 6,088,220 A \* 7/2000 Katz ..... 361/680
- 6,128,372 A \* 10/2000 Tsai et al. .... 379/90.01
- 6,147,858 A \* 11/2000 Takahashi ..... 361/680
- 6,168,331 B1 \* 1/2001 Vann ..... 400/472
- 6,215,420 B1 \* 4/2001 Harrison et al. .... 341/22
- 6,297,752 B1 \* 10/2001 Ni ..... 341/22
- 6,317,061 B1 \* 11/2001 Batra et al. .... 341/22
- 6,370,018 B1 \* 4/2002 Miller et al. .... 361/680
- D462,354 S \* 9/2002 Kimbre et al. .... D14/392
- D462,358 S \* 9/2002 Mah ..... D14/447
- 6,445,380 B1 \* 9/2002 Klein ..... 345/168
- D470,150 S \* 2/2003 Lewis et al. .... D14/455
- D470,151 S \* 2/2003 Lewis et al. .... D14/455
- 6,556,186 B1 \* 4/2003 Narusawa et al. .... 345/168
- D475,710 S \* 6/2003 Sheehan et al. .... D14/401
- 6,587,094 B1 \* 7/2003 Anderson ..... 345/168
- 6,587,096 B1 \* 7/2003 Bullister ..... 345/168

(Continued)

*Primary Examiner*—Alan P. Douglas

*Assistant Examiner*—Susan Moon Lee

(74) *Attorney, Agent, or Firm*—Rader, Fishman & Grauer PLLC

(57) **CLAIM**

The ornamental design for a keyboard, as shown and described.

**DESCRIPTION**

FIG. 1 is a front elevational view of a keyboard showing our new design;

FIG. 2 is a rear elevational view thereof;

FIG. 3 is a left side elevational view thereof, a right side elevational view thereof being a mirror image;

FIG. 4 is a top plan view thereof;

FIG. 5 is a bottom plan view thereof;

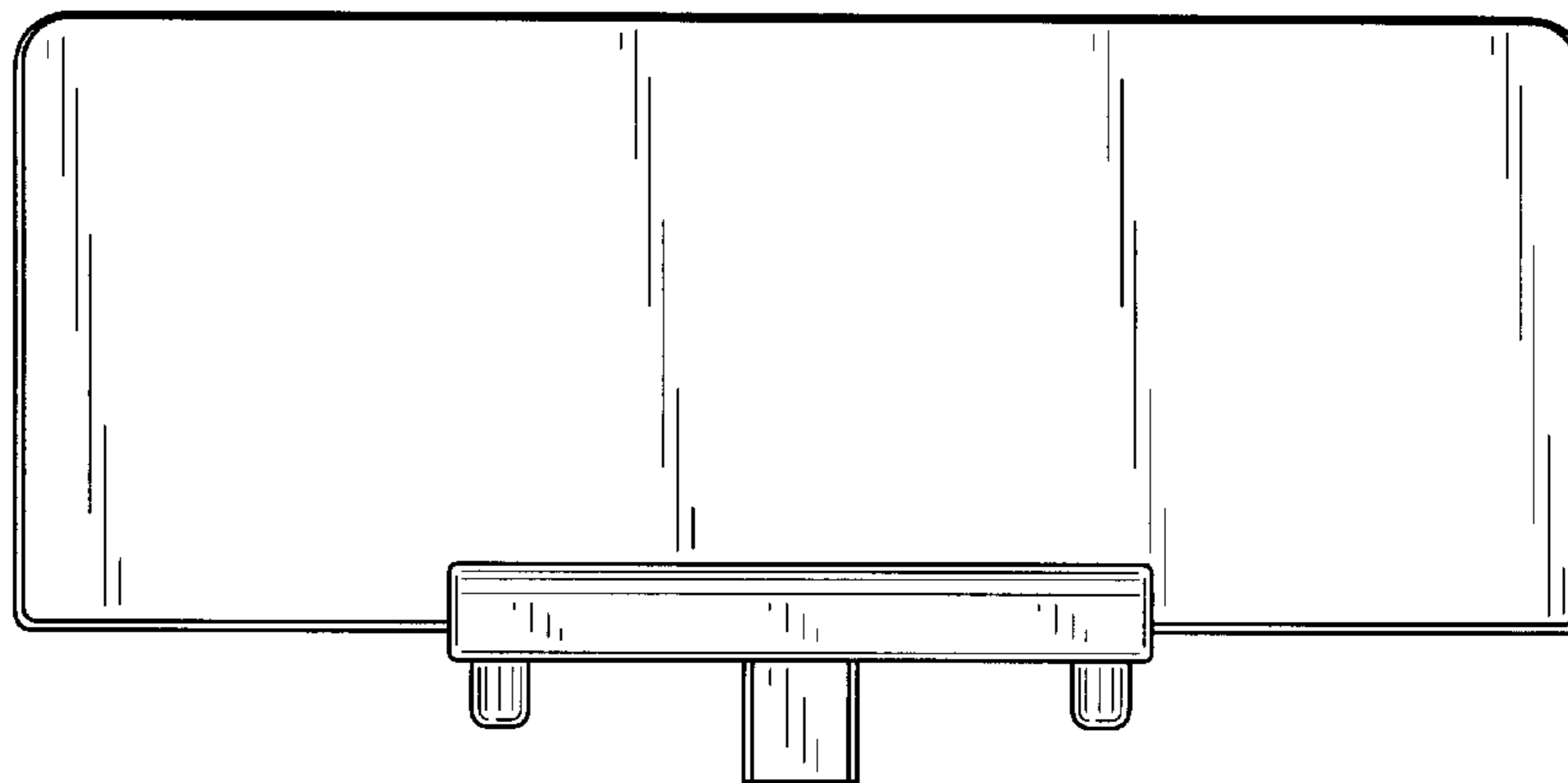
FIG. 6 is a front top right perspective view thereof;

FIG. 7 is a rear bottom left perspective view thereof; and,

FIG. 8 is a reduced front elevational view thereof, showing a using condition.

The broken line showing of the environment are for illustrative purposes only and forms no part of the claimed described.

**1 Claim, 4 Drawing Sheets**



# US D517,552 S

Page 2

---

## U.S. PATENT DOCUMENTS

6,594,142	B1	*	7/2003	Katz	.....	361/680	D480,726	S	*	10/2003	Yokota	.....	D14/396
6,597,343	B1	*	7/2003	Akiyama et al.	.....	345/168	D482,363	S	*	11/2003	Goto	.....	D14/392
6,614,649	B1	*	9/2003	Wang	.....	361/680	D485,826	S		1/2004	Goto		
6,618,039	B1	*	9/2003	Grant et al.	.....	345/168	2003/0006968	A1	*	1/2003	Solomon	.....	345/168
6,625,011	B1	*	9/2003	Hyun	.....	361/380							

\* cited by examiner

FIG.1

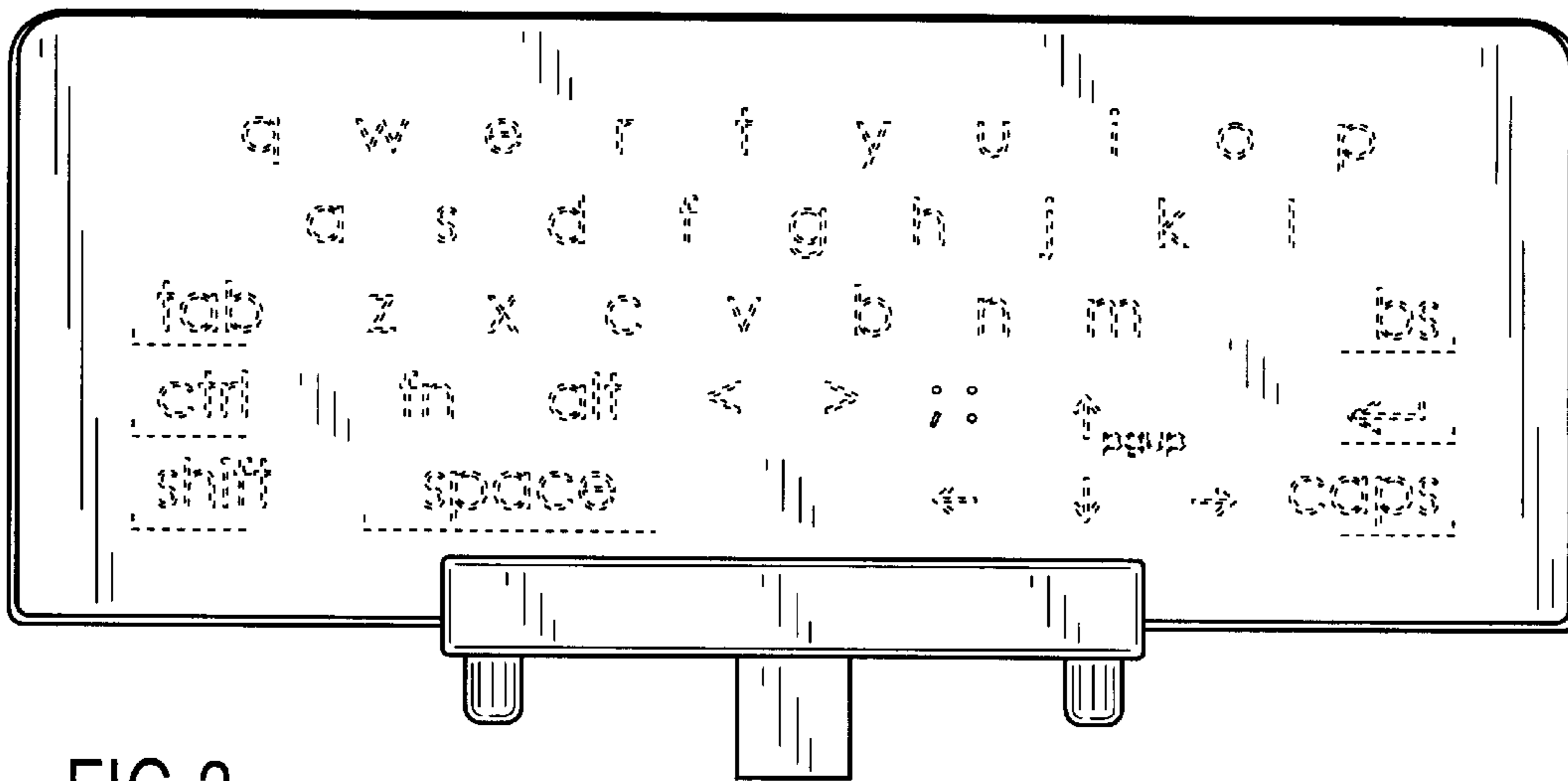


FIG.2

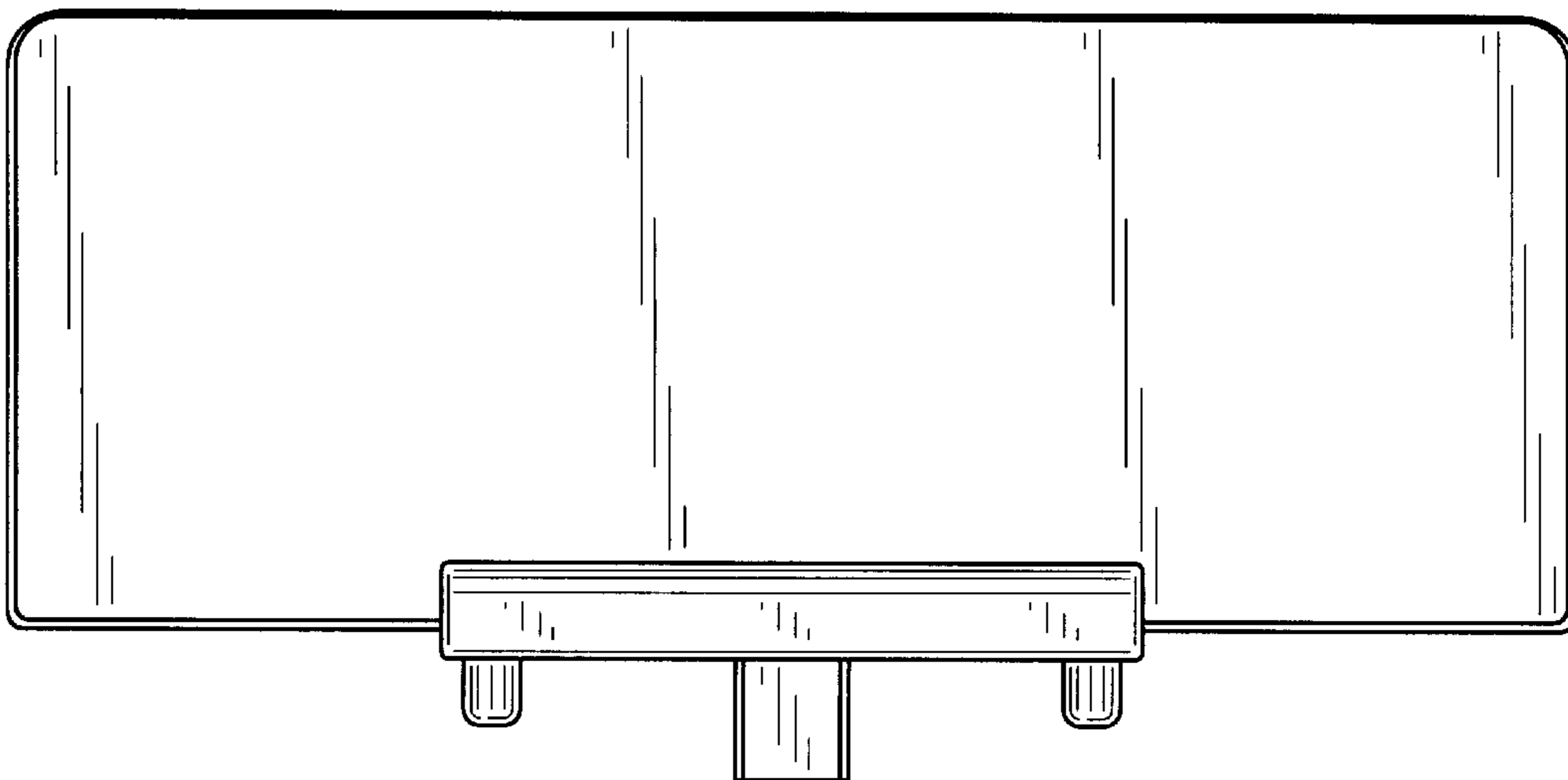


FIG.3

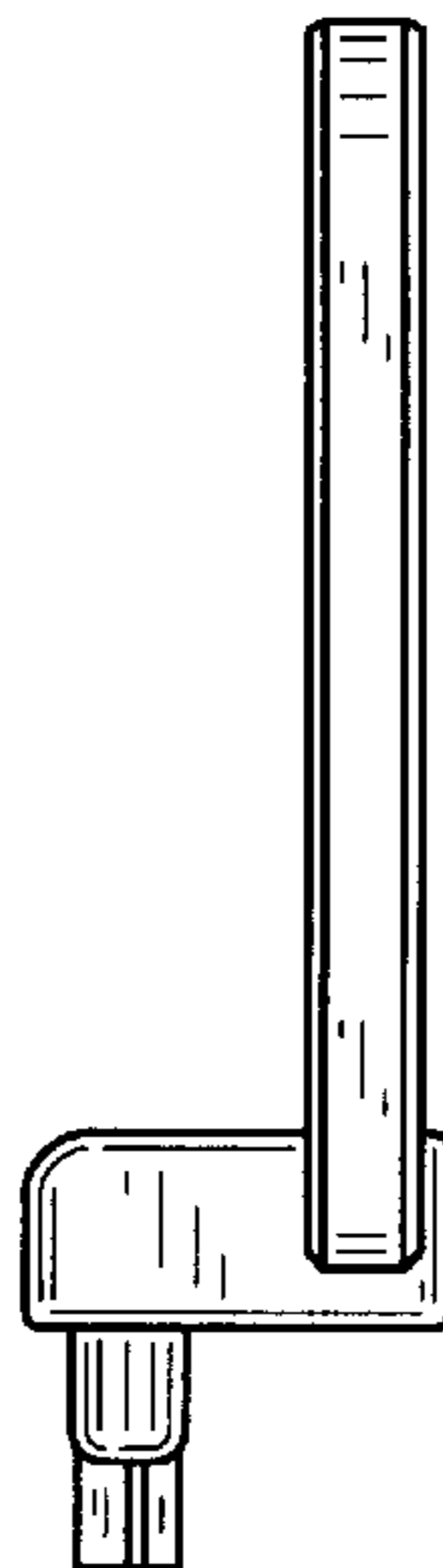


FIG.4

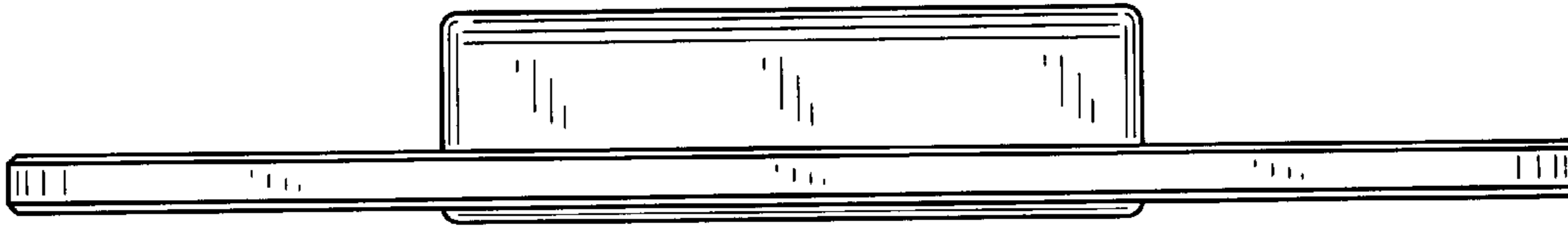


FIG.5



FIG.6

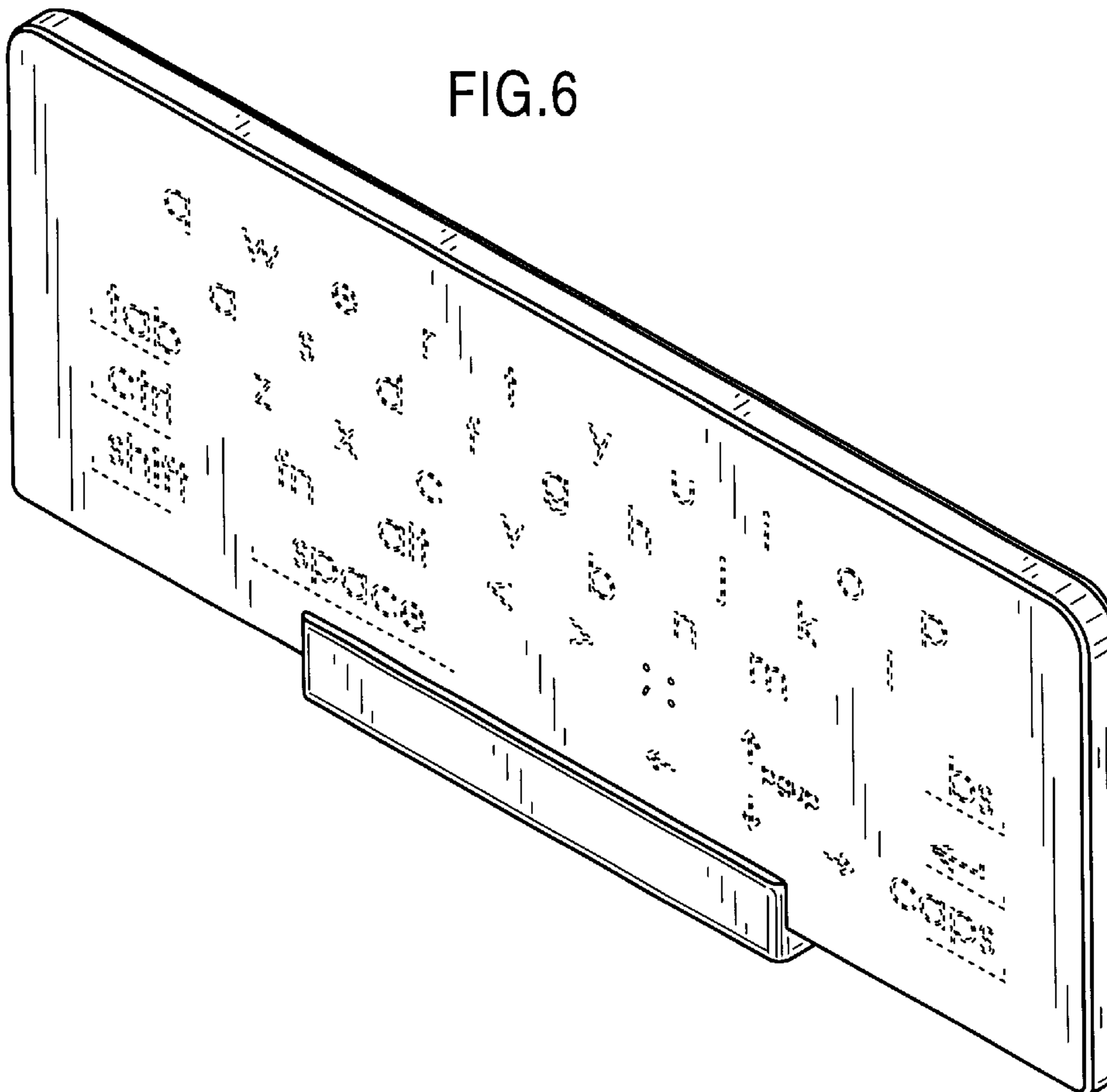


FIG.7

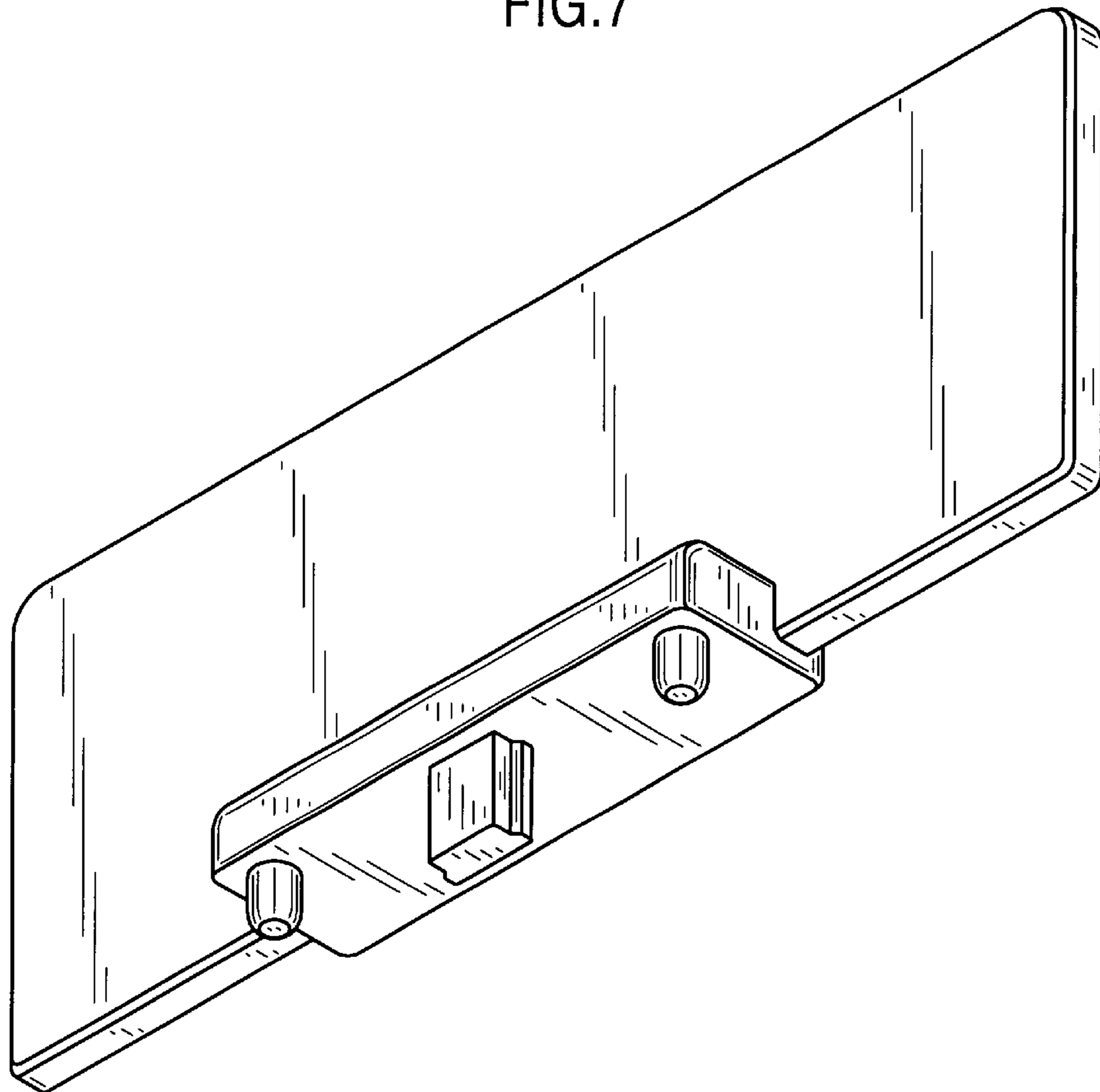


FIG.8

