



US00D517550S

(12) **United States Design Patent**
Depay et al.

(10) **Patent No.:** **US D517,550 S**
(45) **Date of Patent:** **** Mar. 21, 2006**

(54) **LCD DISPLAY**

(75) Inventors: **Dean A. Depay**, San Jose, CA (US);
Gil Wong, El Dorado Hills, CA (US);
Kenneth Douglas Wood, Portola
Valley, CA (US)

(73) Assignee: **Hewlett-Packard Development
Company, L.P.**, Houston, TX (US)

(**) Term: **14 Years**

(21) Appl. No.: **29/221,818**

(22) Filed: **Jan. 20, 2005**

(51) **LOC (8) Cl.** **14-02**

(52) **U.S. Cl.** **D14/375**

(58) **Field of Classification Search** D14/371-375,
D14/125-129; 345/104, 156, 168, 173, 901-905,
345/87; 348/180, 184, 325, 739; 248/917-924;
341/12; 349/1, 2, 11, 62

See application file for complete search history.

(56) **References Cited**

U.S. PATENT DOCUMENTS

D456,370 S	*	4/2002	Kita	D14/126
D473,868 S	*	4/2003	Tai	D14/375
D495,708 S	*	9/2004	Yang	D14/375

* cited by examiner

Primary Examiner—Freda S. Nunn

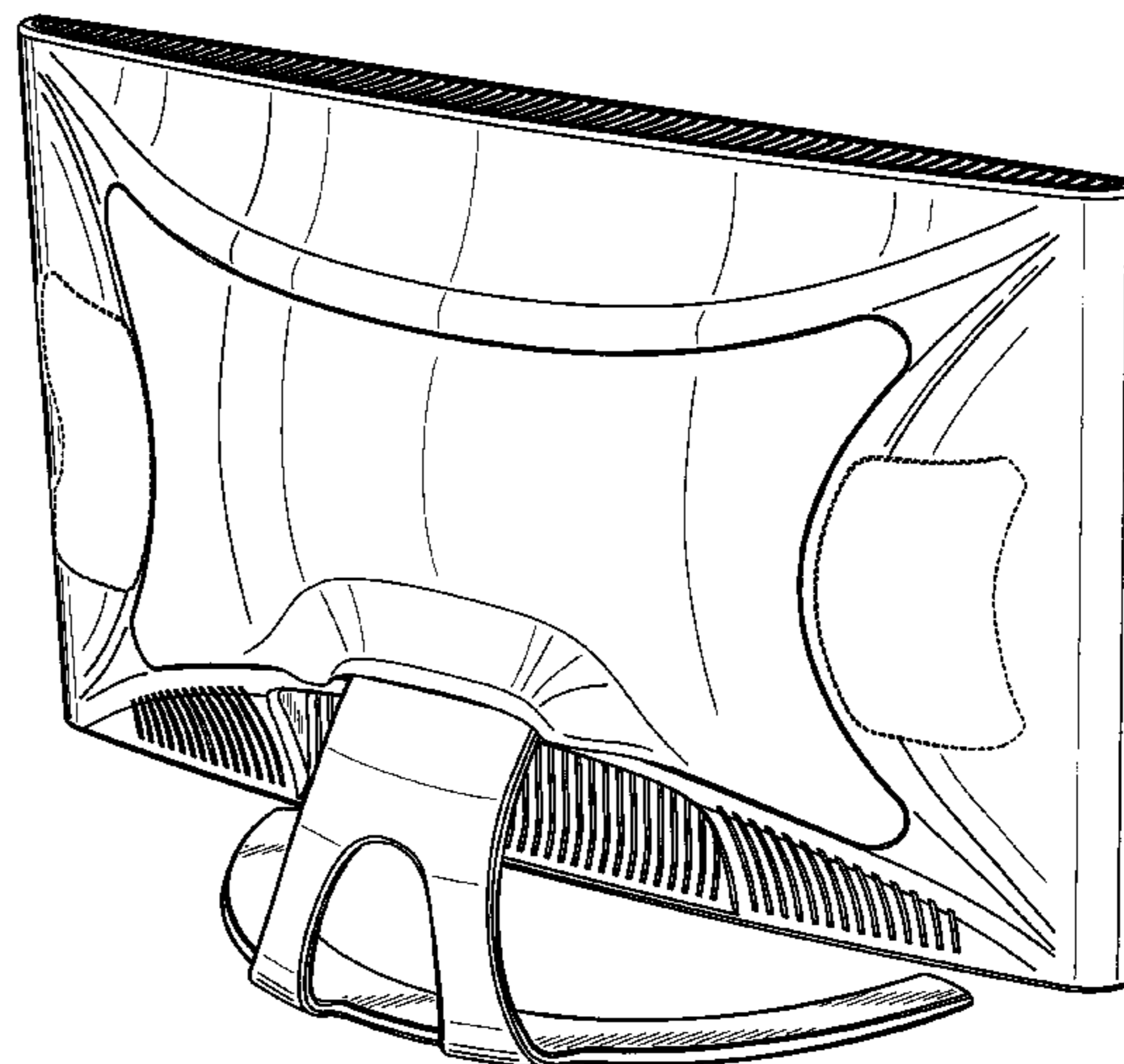
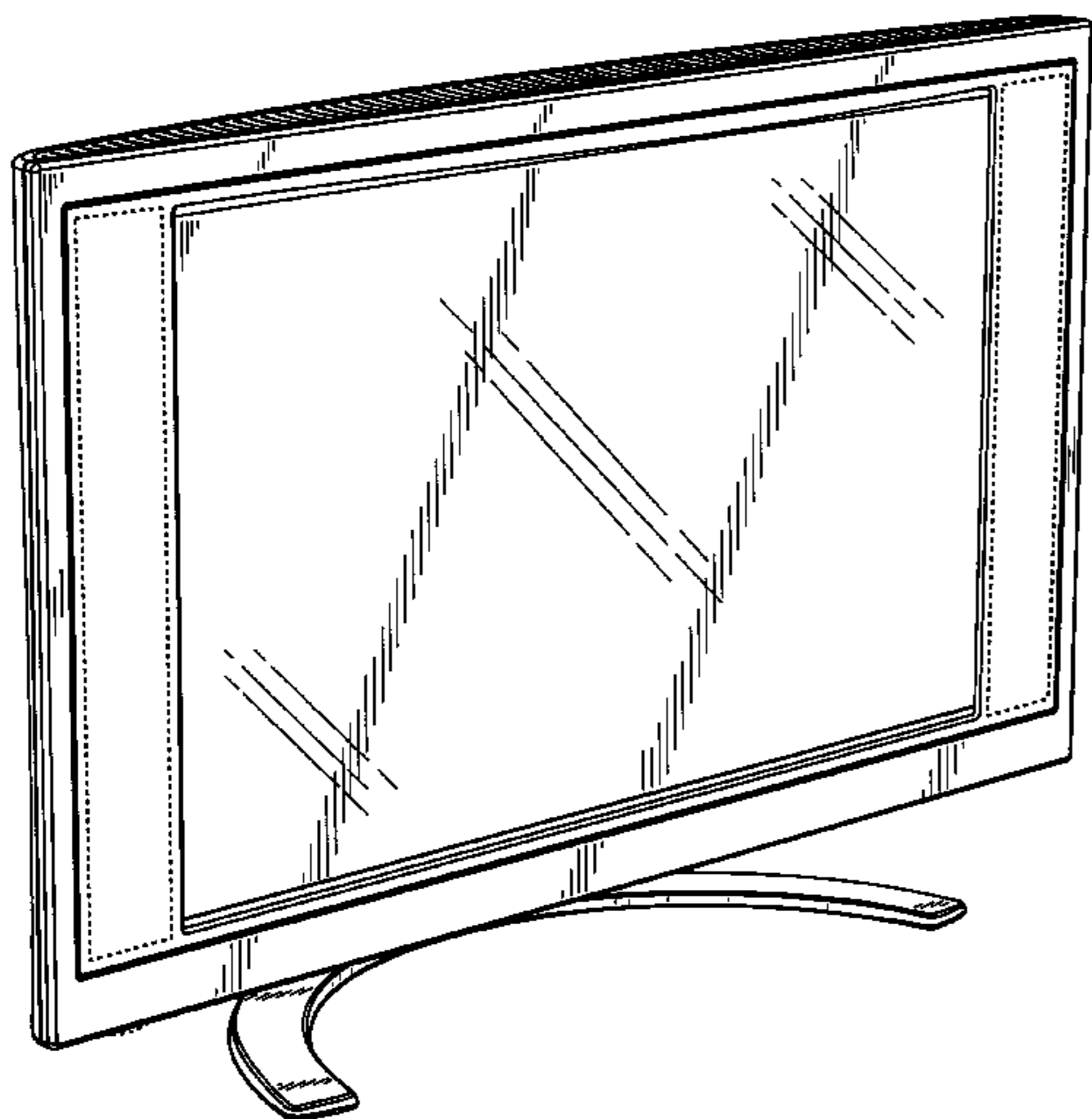
(57) **CLAIM**

We claim the ornamental design for a LCD display, as shown and described.

DESCRIPTION

FIG. 1 is an front perspective view of a design for a LCD display in accordance with a first embodiment, wherein the areas shown in broken lines being depicted for illustrative purposes and do not form any part of the claimed design; FIG. 2 is an back perspective view thereof, wherein the areas shown in broken lines being depicted for illustrative purposes and do not form any part of the claimed design; FIG. 3 is a front view thereof, wherein the areas shown in broken lines being depicted for illustrative purposes and do not form any part of the claimed design; FIG. 4 is a right side view thereof, wherein the areas shown in broken lines being depicted for illustrative purposes and do not form any part of the claimed design; FIG. 5 is a back view thereof, wherein the areas shown in broken lines being depicted for illustrative purposes and do not form any part of the claimed design; FIG. 6 is a left side view thereof, wherein the areas shown in broken lines being depicted for illustrative purposes and do not form any part of the claimed design; FIG. 7 is a top thereof, wherein the areas shown in broken lines being depicted for illustrative purposes and do not form any part of the claimed design; and, FIG. 8 is a bottom view thereof, wherein the areas shown in broken lines being depicted for illustrative purposes and do not form any part of the claimed design.

1 Claim, 6 Drawing Sheets



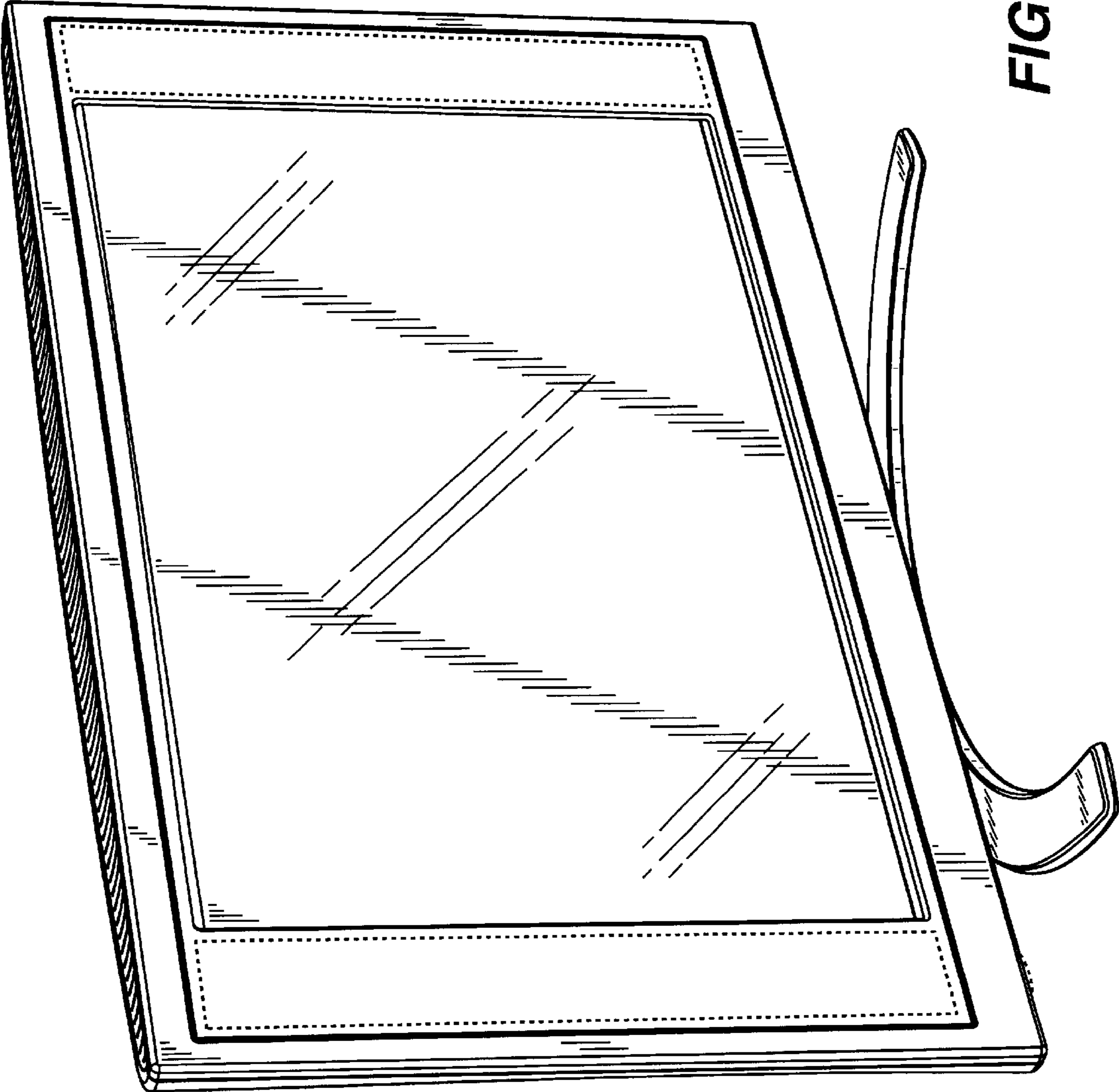


FIG.-1

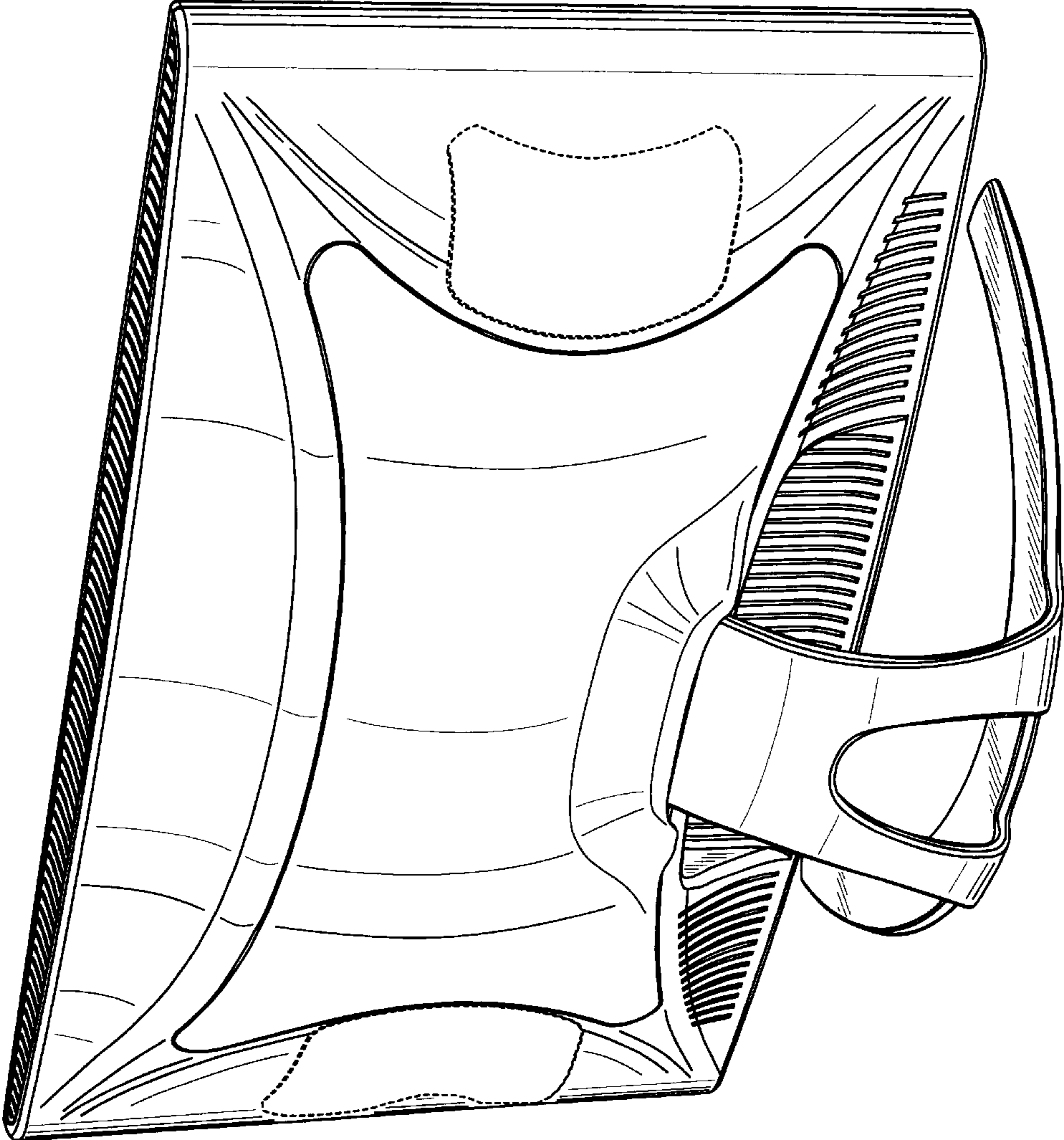
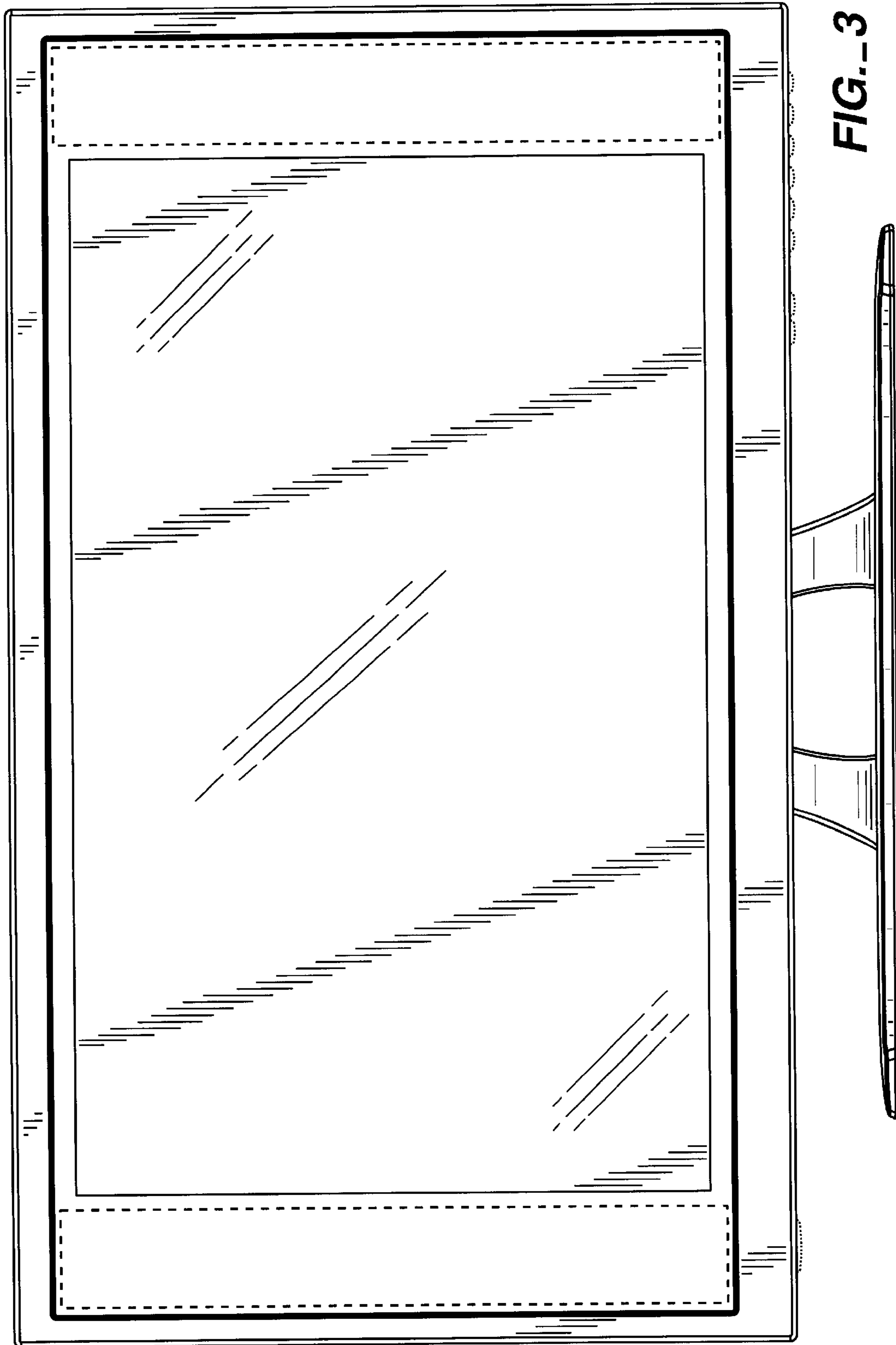


FIG. 2



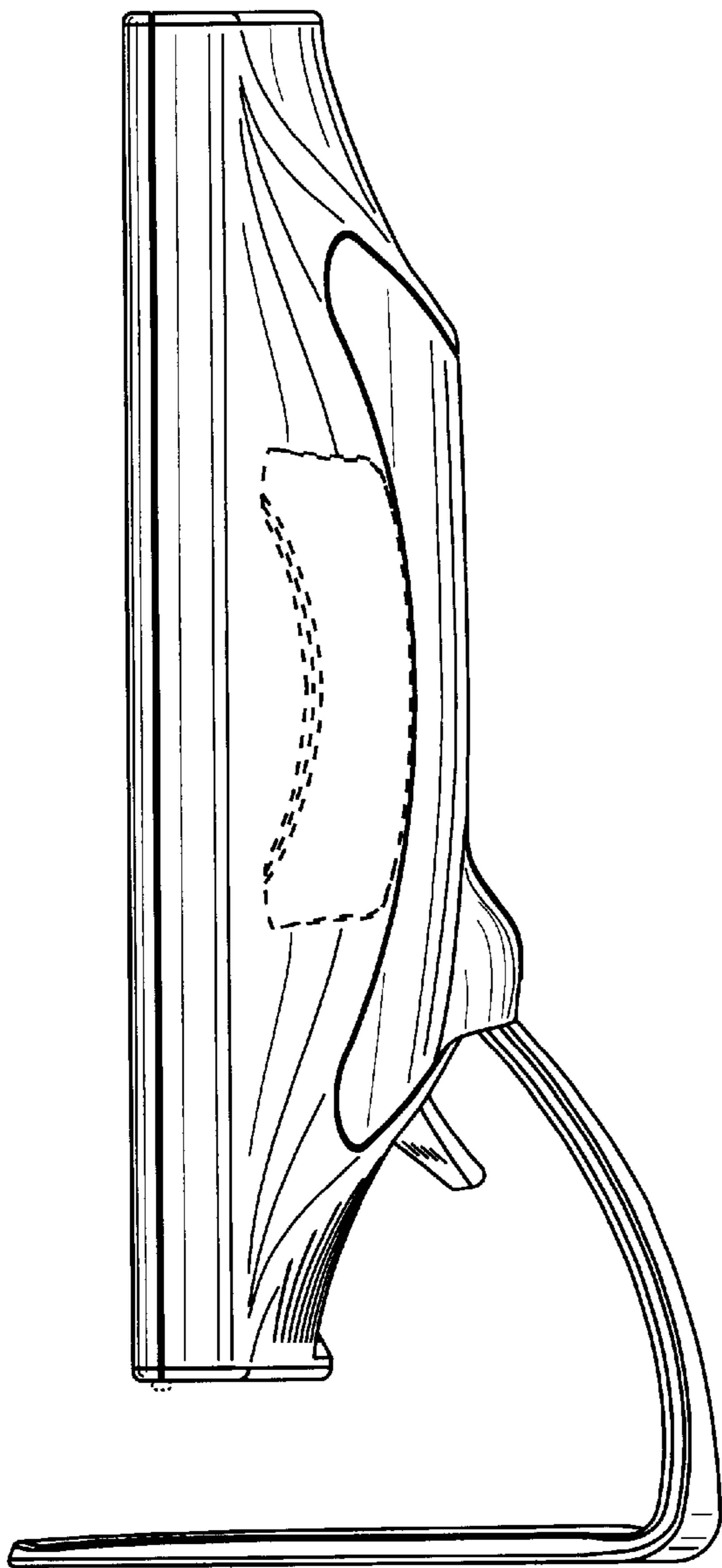


FIG._4

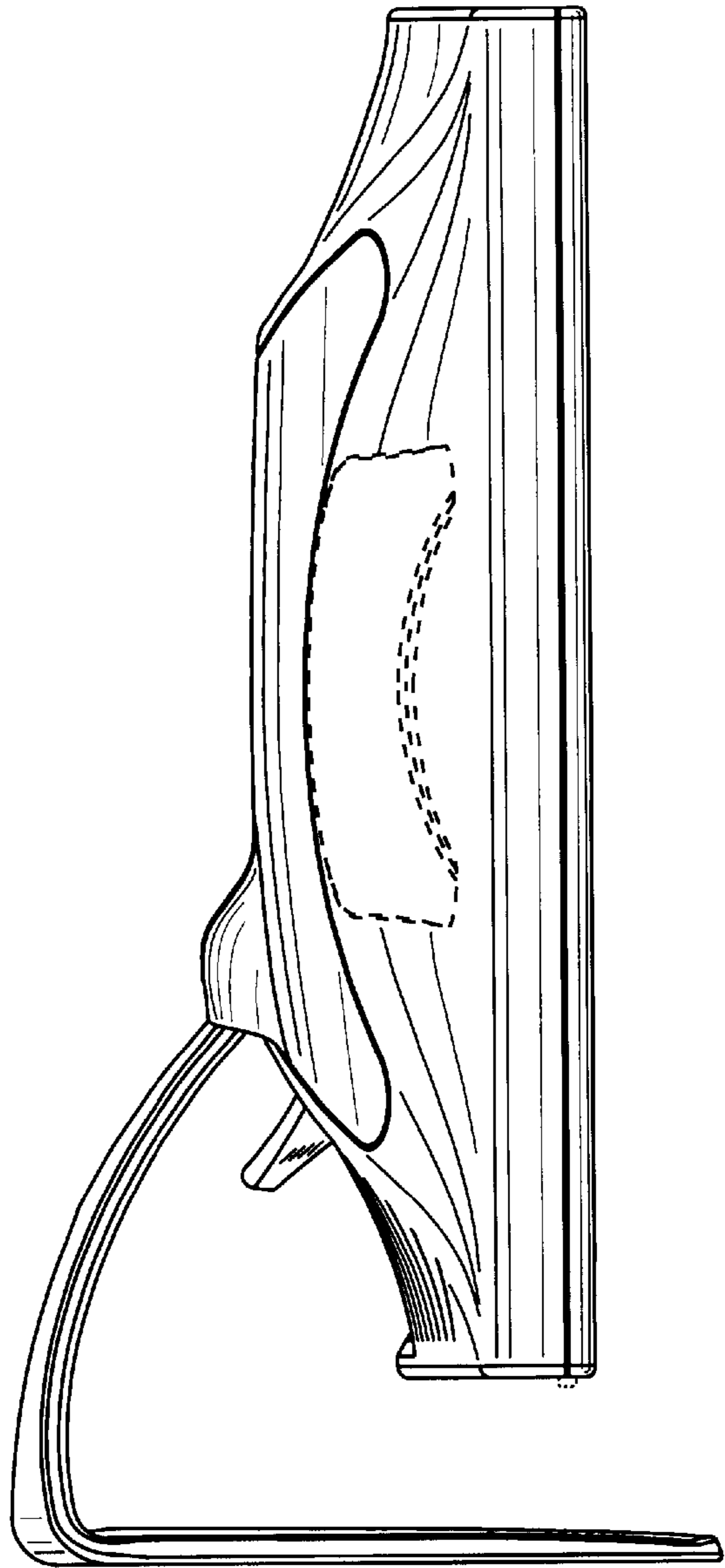
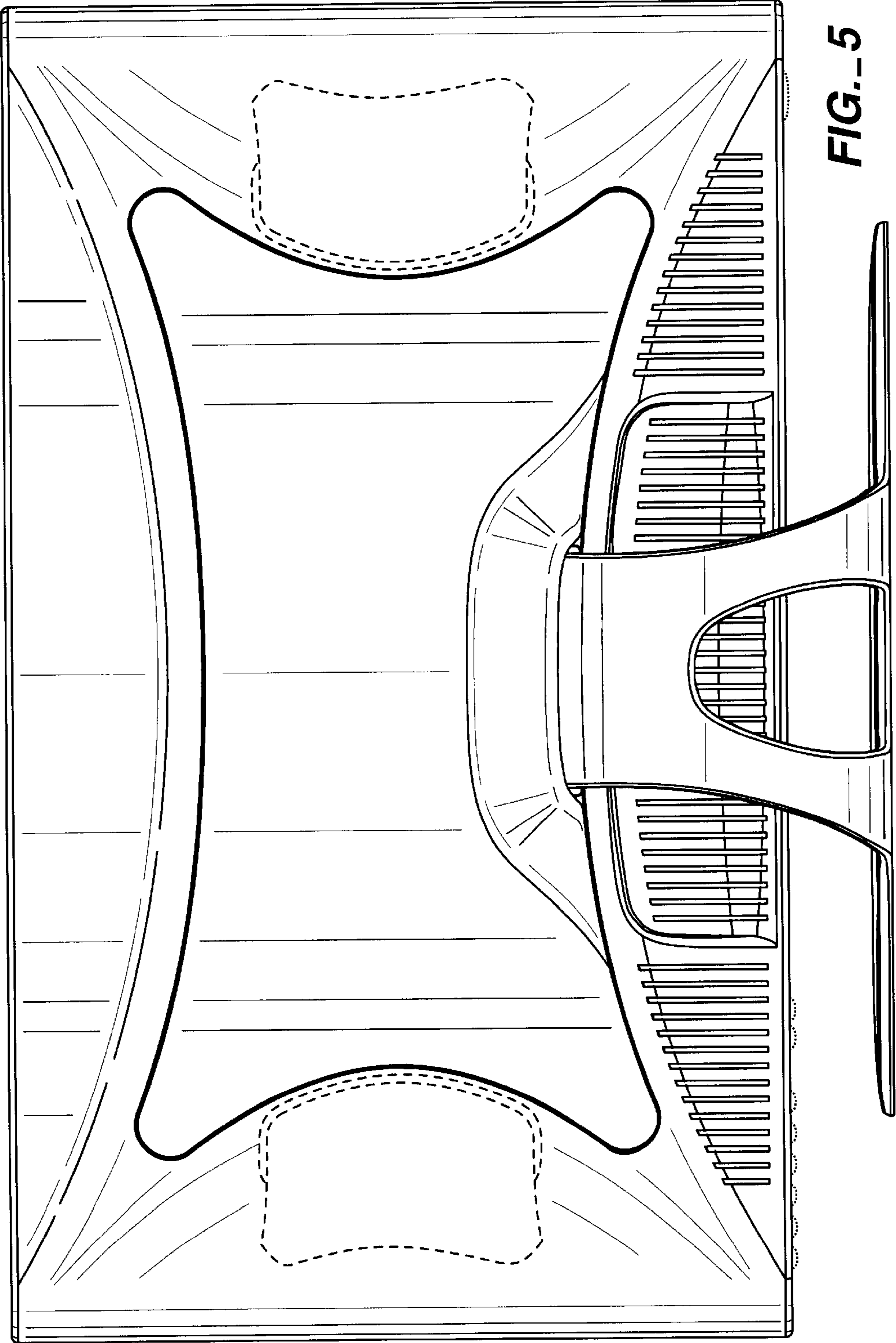


FIG._6



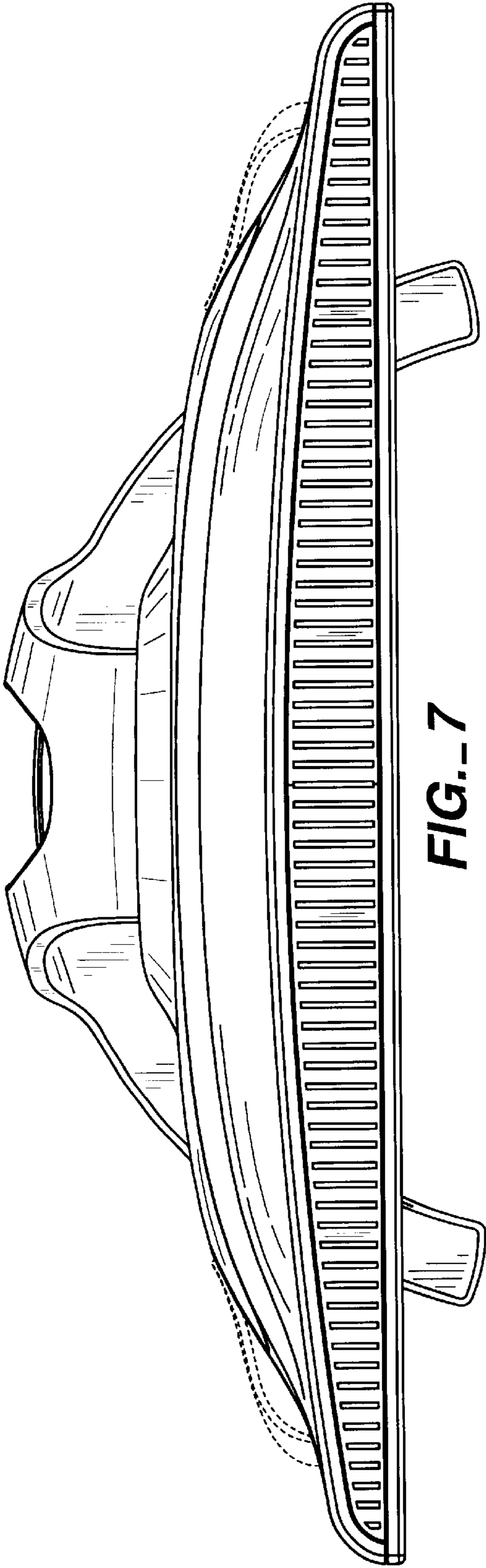


FIG. 7

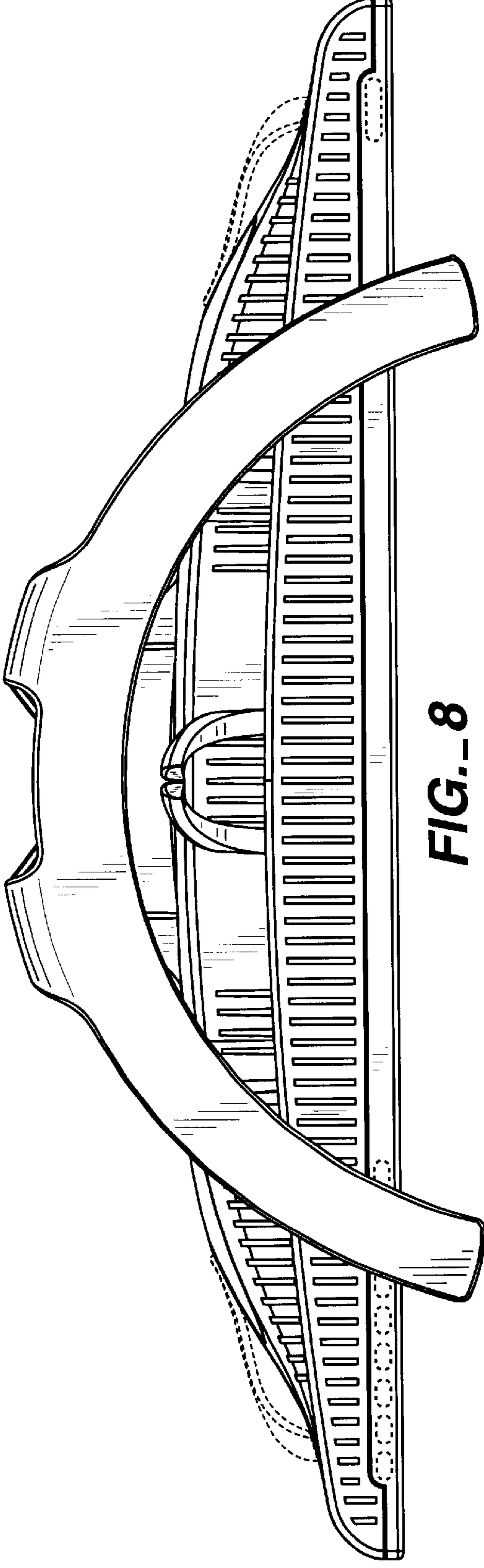


FIG. 8