



US00D517549S

(12) **United States Design Patent**
Depay

(10) **Patent No.:** **US D517,549 S**
(45) **Date of Patent:** **** Mar. 21, 2006**

- (54) **LCD DISPLAY**
- (75) **Inventor:** **Dean A. Depay**, San Jose, CA (US)
- (73) **Assignee:** **Hewlett-Packard Development Company, L.P.**, Houston, TX (US)
- (**) **Term:** **14 Years**
- (21) **Appl. No.:** **29/220,743**
- (22) **Filed:** **Jan. 6, 2005**
- (51) **LOC (8) Cl.** **14-02**
- (52) **U.S. Cl.** **D14/375**
- (58) **Field of Classification Search** D14/371-375,
D14/125-129; 345/104, 156, 168, 173, 901-905,
345/87; 348/180, 184, 325, 739; 248/917-924;
341/12; 349/1, 2, 11, 62
See application file for complete search history.

(56) **References Cited**

U.S. PATENT DOCUMENTS

- D416,549 S * 11/1999 Coster et al. D14/375
- D469,432 S * 1/2003 Tsuji D14/375
- D476,005 S * 6/2003 Peng et al. D14/375

- D489,721 S * 5/2004 Peng et al. D14/371
- D496,046 S * 9/2004 Lo D14/375

* cited by examiner

Primary Examiner—Freda S. Nunn

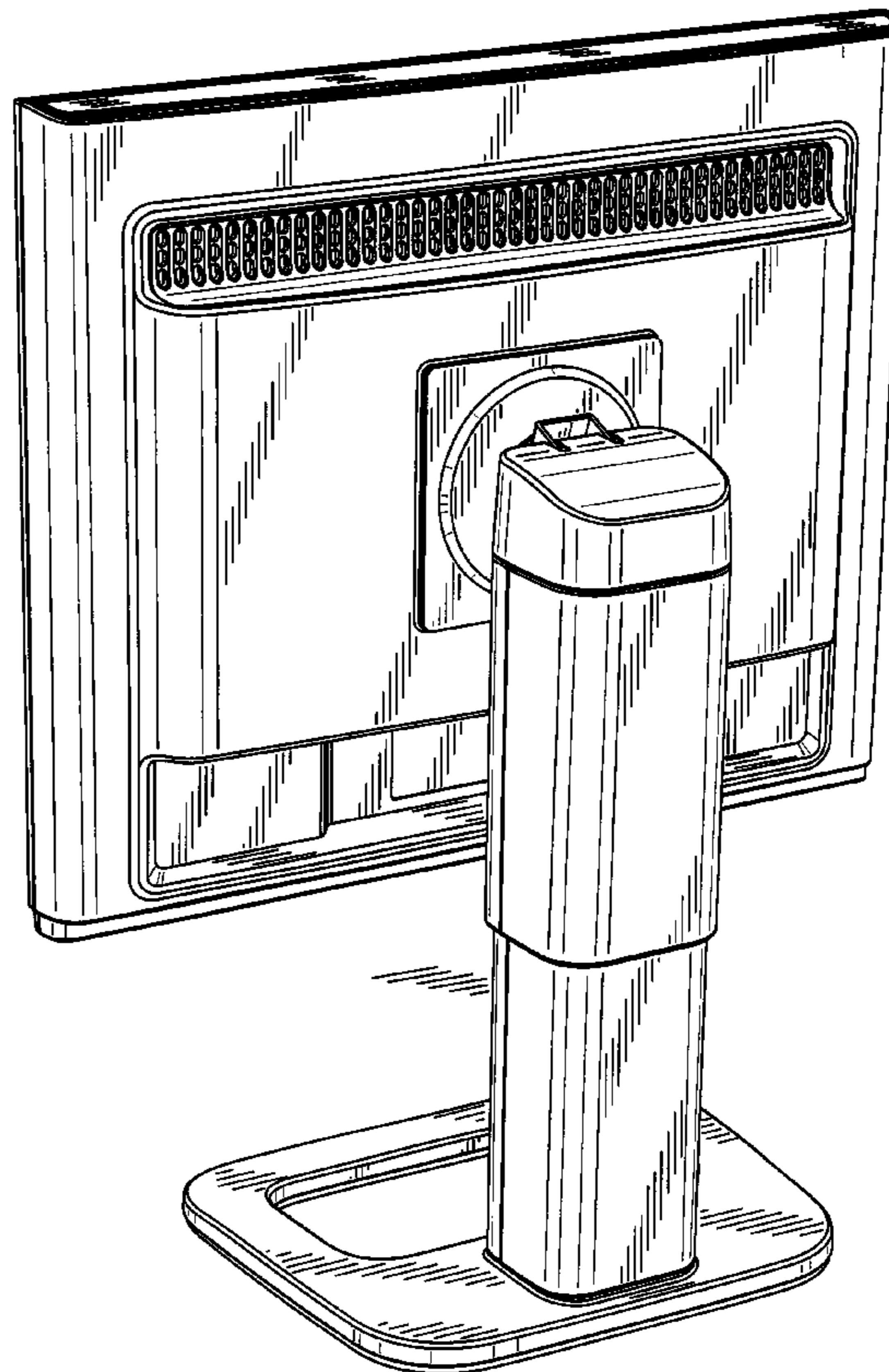
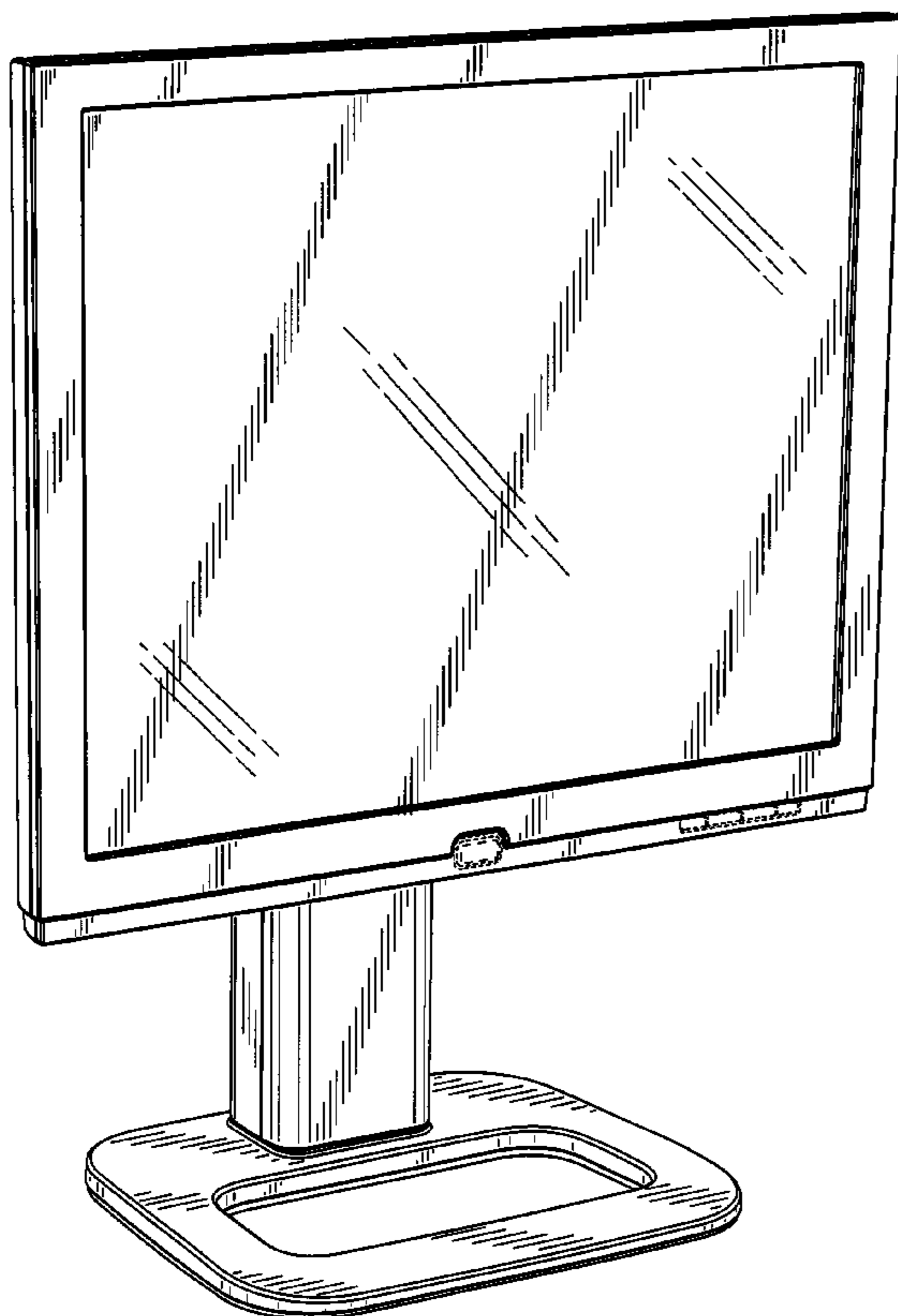
(57) **CLAIM**

We Claim the ornamental design for a LCD display, as shown and described.

DESCRIPTION

FIG. 1 is an front perspective view of a design for a LCD display in accordance with a first embodiment, wherein the areas shown in broken lines being depicted for illustrative purposes and do not form any part of the claimed design; FIG. 2 is a back perspective view thereof; FIG. 3 is a front view thereof, wherein the areas shown in broken lines being depicted for illustrative purposes and do not form any part of the claimed design; FIG. 4 is a right side view thereof; FIG. 5 is a back view thereof; FIG. 6 is a left side view thereof; FIG. 7 is a top thereof; and, FIG. 8 is a bottom view thereof.

1 Claim, 7 Drawing Sheets



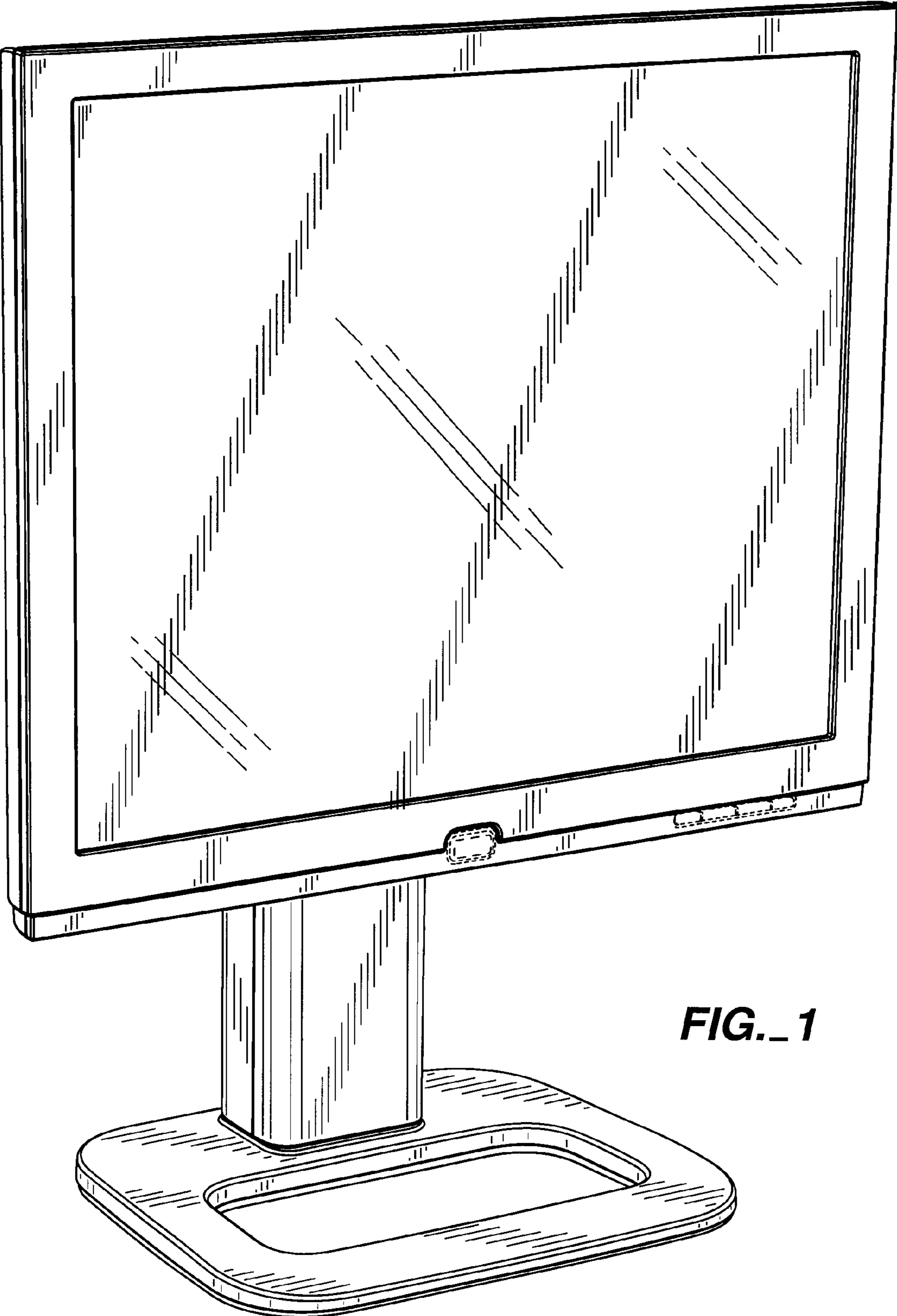


FIG. 1

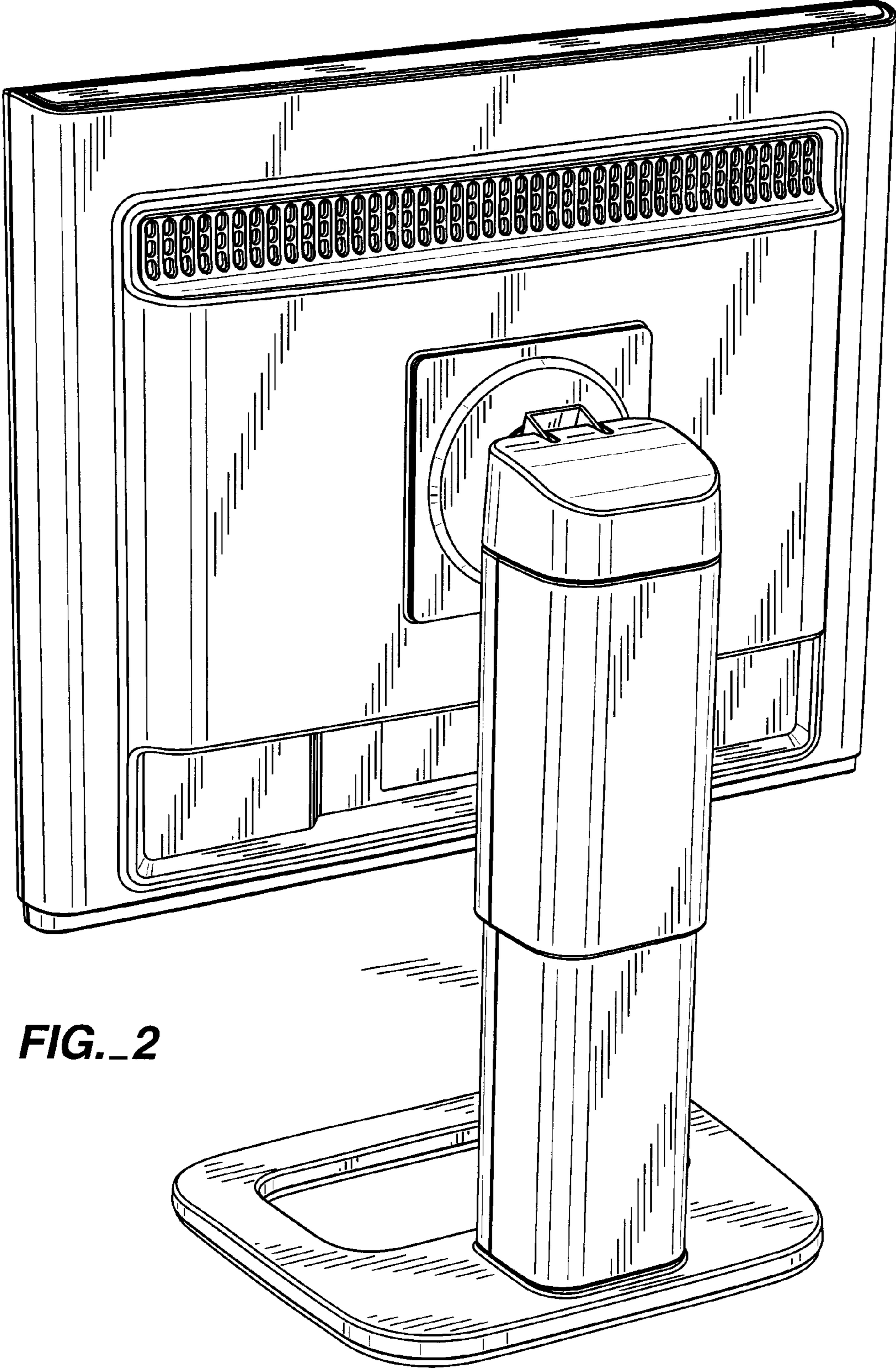


FIG. 2

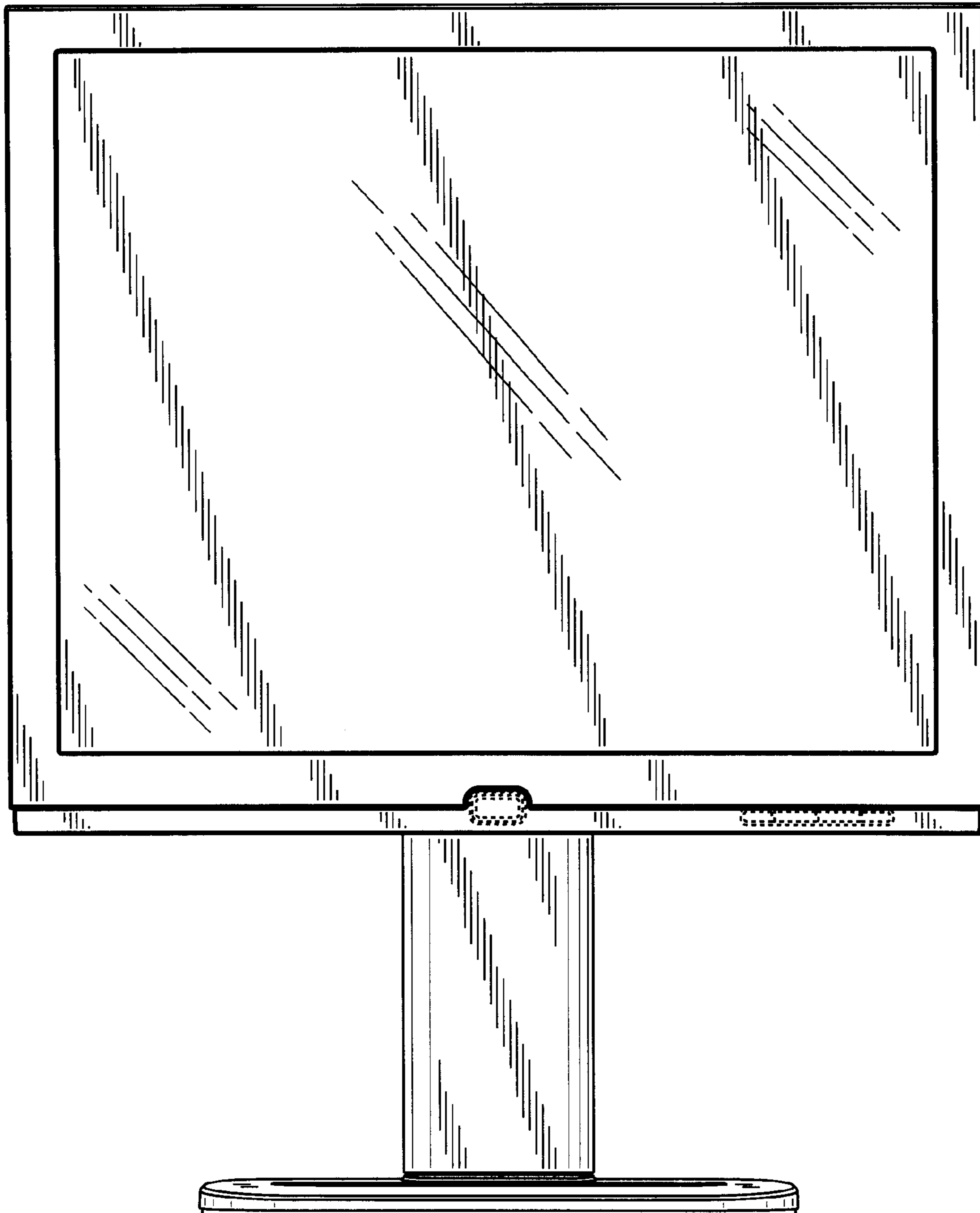


FIG. 3

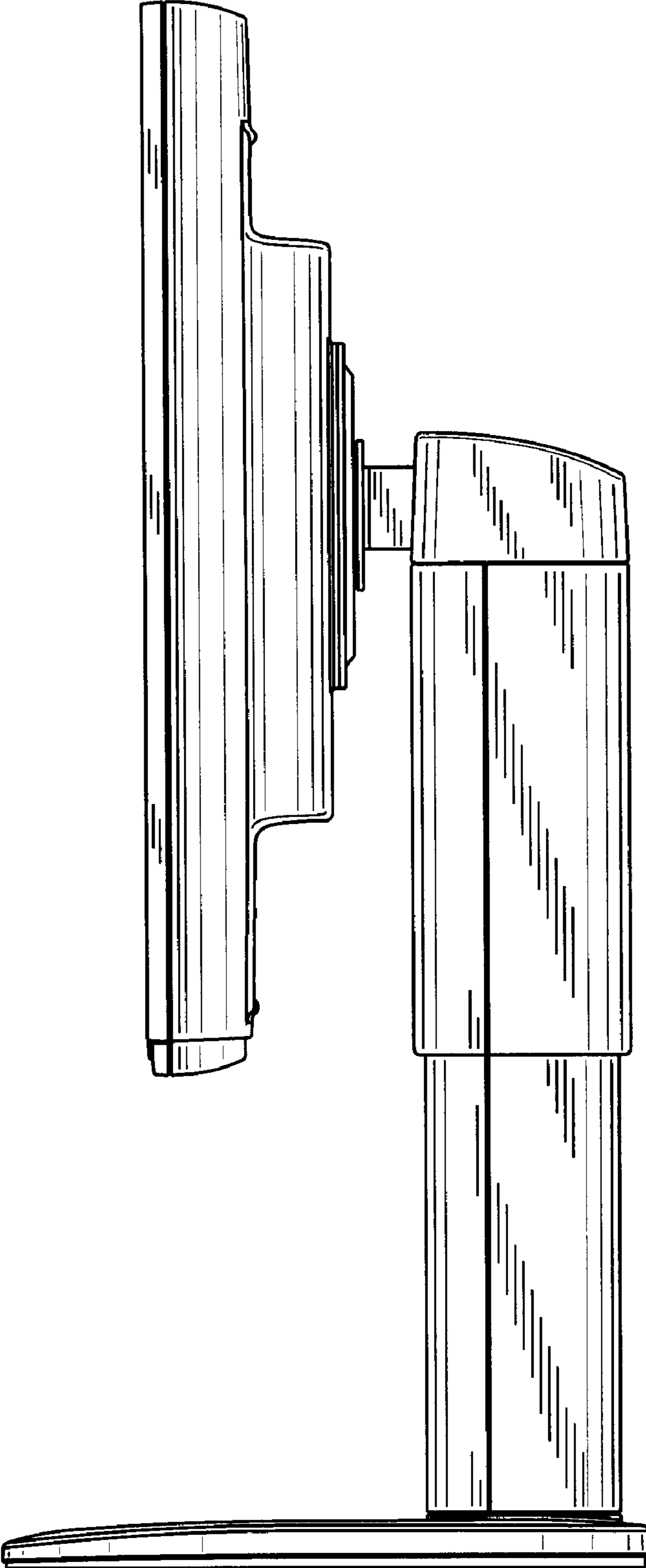


FIG. 4

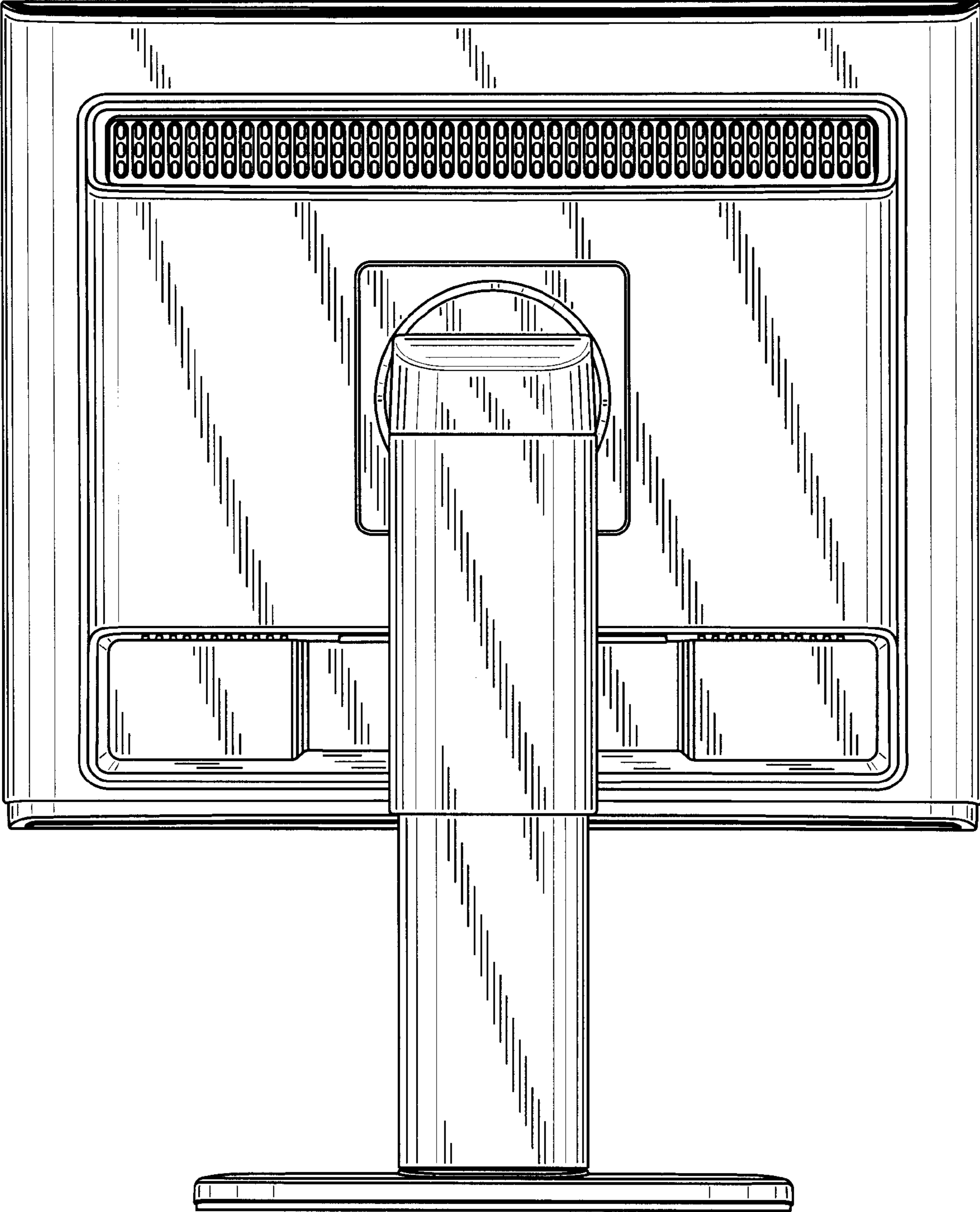


FIG. 5

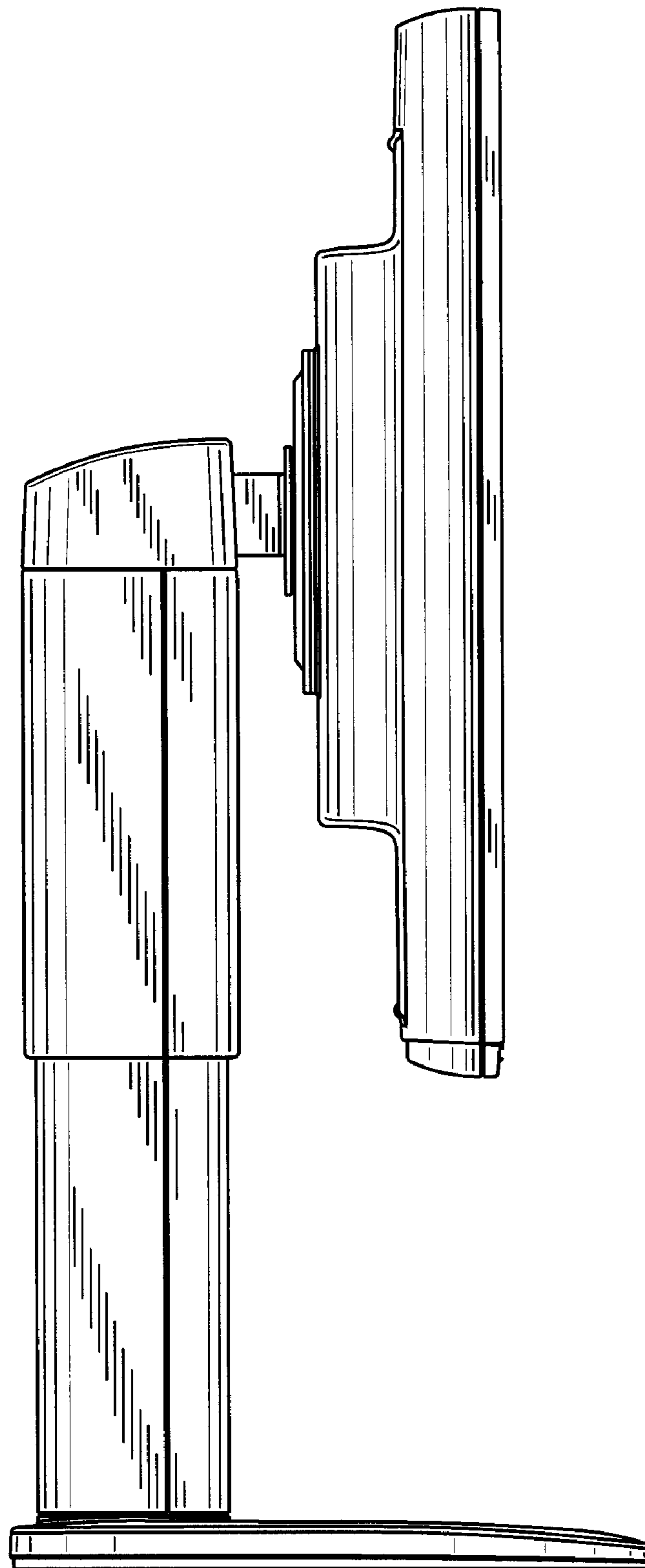


FIG. 6

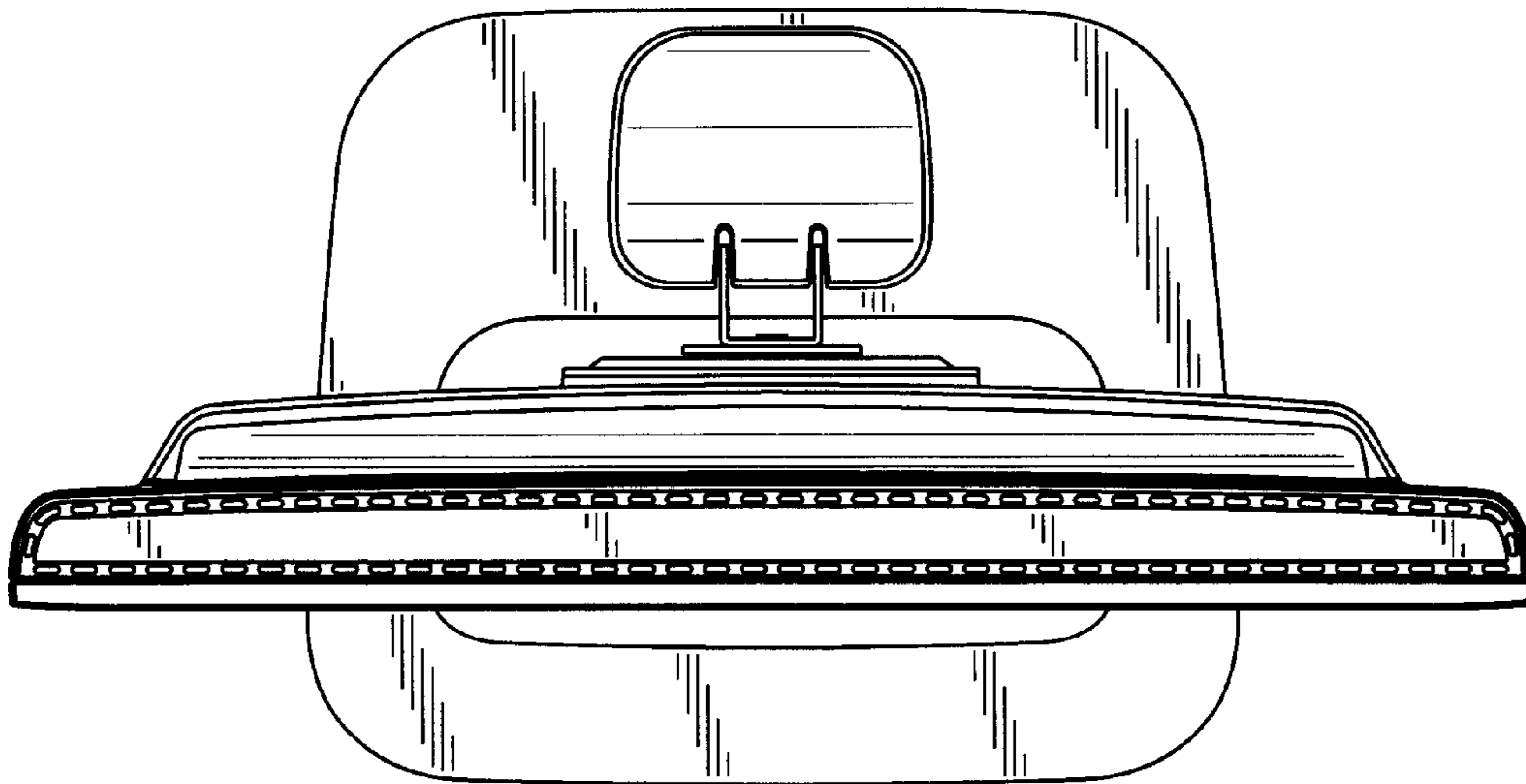


FIG. 7

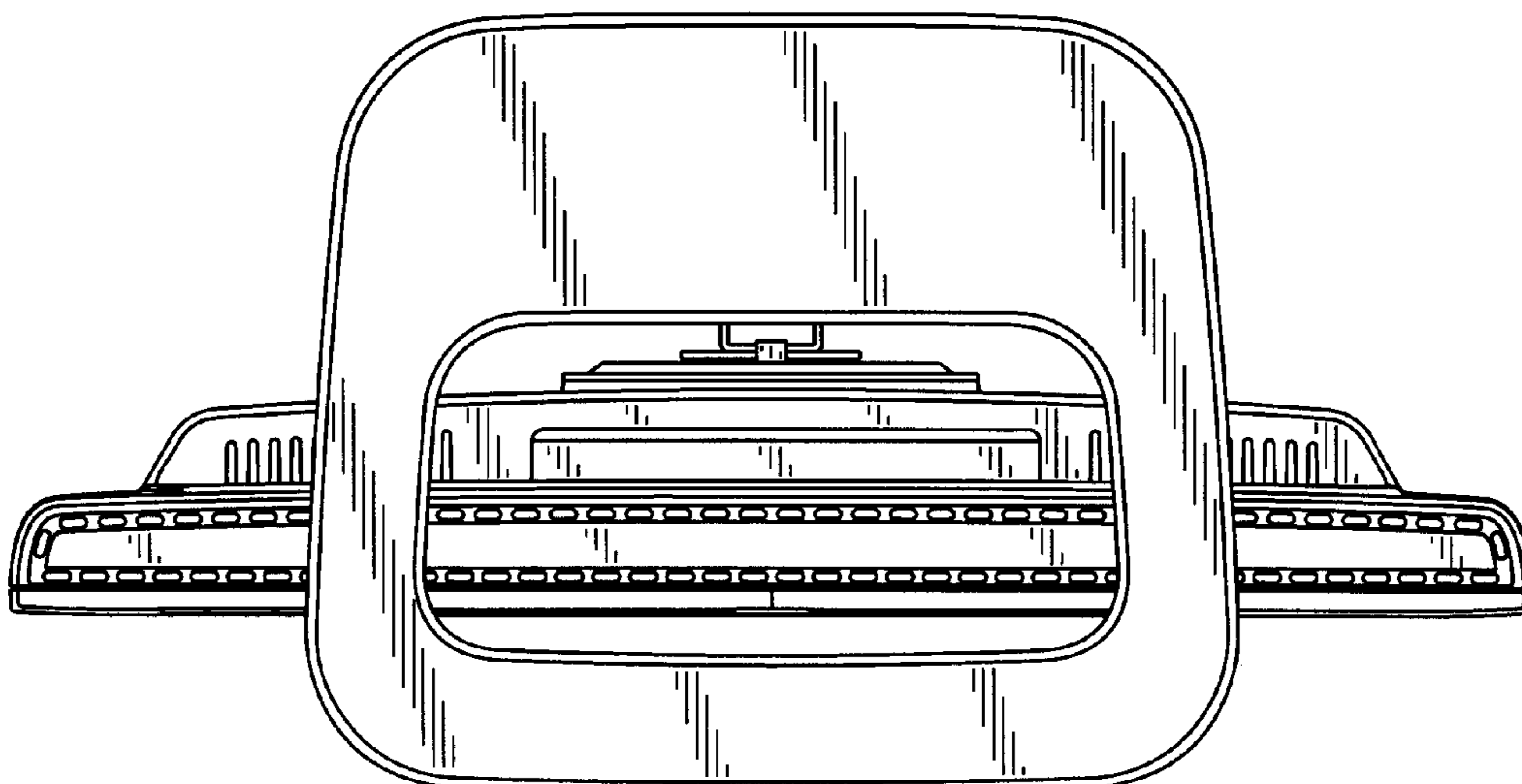


FIG. 8