



US00D517548S

(12) **United States Design Patent**
Wedding

(10) **Patent No.:** **US D517,548 S**
(45) **Date of Patent:** **** Mar. 21, 2006**

(54) **COMPUTER CASE STORAGE CONTAINER WITH INTERNAL WALL RIBS**

(75) Inventor: **Daniel K. Wedding**, Toledo, OH (US)

(73) Assignee: **Imaging Systems Technology**

(**) Term: **14 Years**

(21) Appl. No.: **29/211,703**

(22) Filed: **Aug. 20, 2004**

Related U.S. Application Data

(63) Continuation of application No. 10/112,758, filed on Apr. 2, 2002, now abandoned, which is a continuation-in-part of application No. 09/755,149, filed on Jan. 8, 2001, now abandoned.

(51) **LOC (8) Cl.** **14-02**

(52) **U.S. Cl.** **D14/368; D6/628; D6/630**

(58) **Field of Classification Search** D6/407, D6/627-629, 630, 467, 468, 476; 206/307.1, 206/387.14, 214; 211/40, 41.12; 312/9.1, 312/9.9, 9.47, 9.64, 242, 348.3; D3/313, D3/319; D14/363, 365, 368, 442, 478, 479, D14/483, 260.1; D12/426

See application file for complete search history.

(56) **References Cited**

U.S. PATENT DOCUMENTS

- 3,247,602 A * 4/1966 Hamilton et al. D19/90
- 3,481,657 A * 12/1969 Farrall et al. 312/183
- 3,856,369 A * 12/1974 Commiant 206/387.15
- D239,071 S * 3/1976 Robson D6/397
- 4,023,691 A * 5/1977 Perel 206/454
- 4,100,684 A * 7/1978 Berger D19/78
- 4,463,684 A * 8/1984 Klungle et al. D6/511
- 4,771,887 A * 9/1988 Nehl 206/387.14
- D322,939 S * 1/1992 Murray D9/432
- 5,103,986 A * 4/1992 Marlowe 206/387.15
- D332,349 S * 1/1993 Seifert et al. D6/631
- 5,191,977 A * 3/1993 Markovitz 211/40
- 5,226,704 A * 7/1993 Porter 312/9.48

- D346,510 S * 5/1994 Long et al. D6/407
- D365,487 S * 12/1995 Chen D6/629
- D372,146 S * 7/1996 Svec D6/479
- 5,707,124 A * 1/1998 Johnson et al. 312/9.48
- 5,934,463 A * 8/1999 Yu 206/307.1
- 6,100,942 A * 8/2000 Hollenbaugh et al. 312/9.47
- 6,224,173 B1 * 5/2001 Yu 312/9.48
- 6,286,689 B1 * 9/2001 Sherwood et al. 211/45
- 6,341,703 B1 * 1/2002 Wu 211/41.18
- 6,352,321 B1 * 3/2002 Munoz 312/119
- 2003/0234229 A1 * 12/2003 Chow et al. 206/387.15

* cited by examiner

Primary Examiner—Cathron C. Brooks

(74) *Attorney, Agent, or Firm*—Donald K. Wedding

(57) **CLAIM**

The ornamental design for a computer case storage container with internal wall ribs, as shown and described.

DESCRIPTION

FIG. 1 is an isometric or perspective view of my design for a computer case storage container with internal wall ribs with an insert object such as a compact disk shown with broken lines.

FIG. 2 is an external front view of the design shown in FIG. 1 with an insert object shown with broken lines.

FIG. 3 is an external back or rear view of the design shown in FIG. 1.

FIG. 4 is an external top view of the design shown in FIG. 1.

FIG. 5 is an external bottom view of the design shown in FIG. 1.

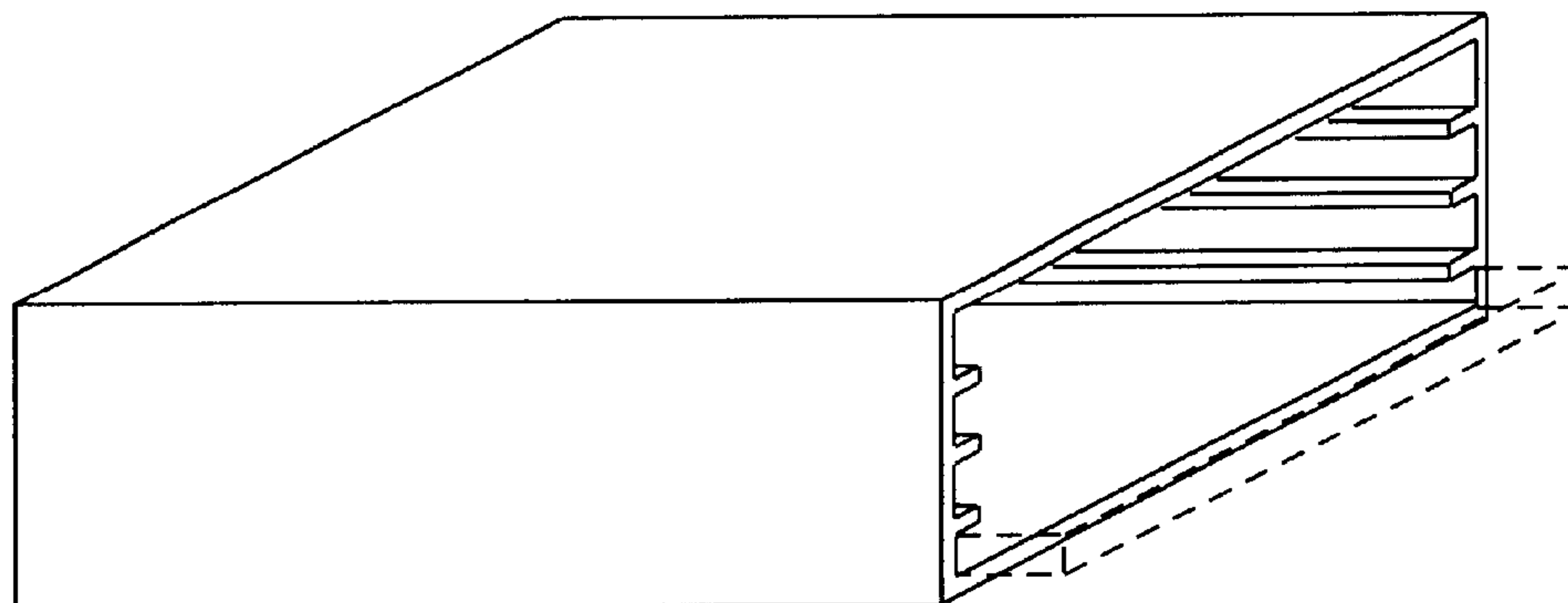
FIG. 6 is an internal (inside view of the right side of the design shown in FIG. 1.

FIG. 7 is an internal (inside) view of the left side of the design shown in FIG. 1; and,

FIG. 8 is a perspective view of the design shown in FIG. 1 for insertion into computer case shown with broken lines.

The broken lines in the drawings represent environmental structure only and form no part of the claimed design.

1 Claim, 5 Drawing Sheets



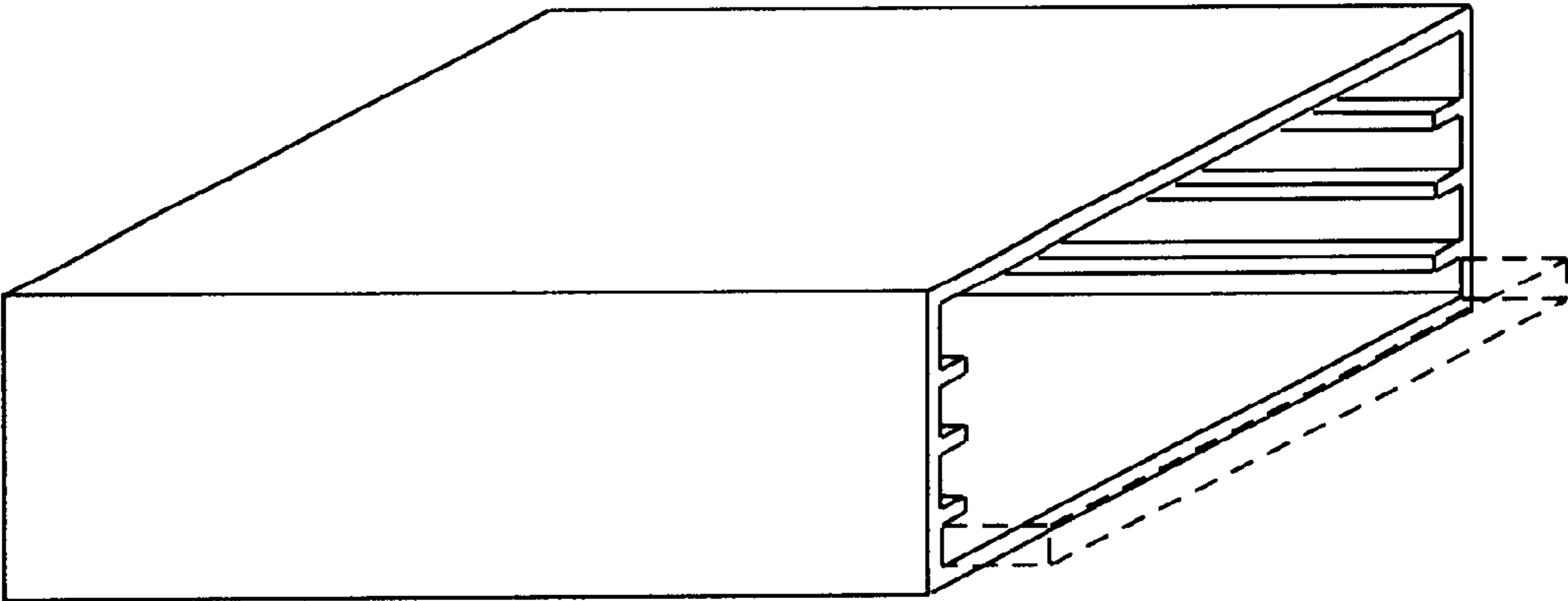


Figure 1

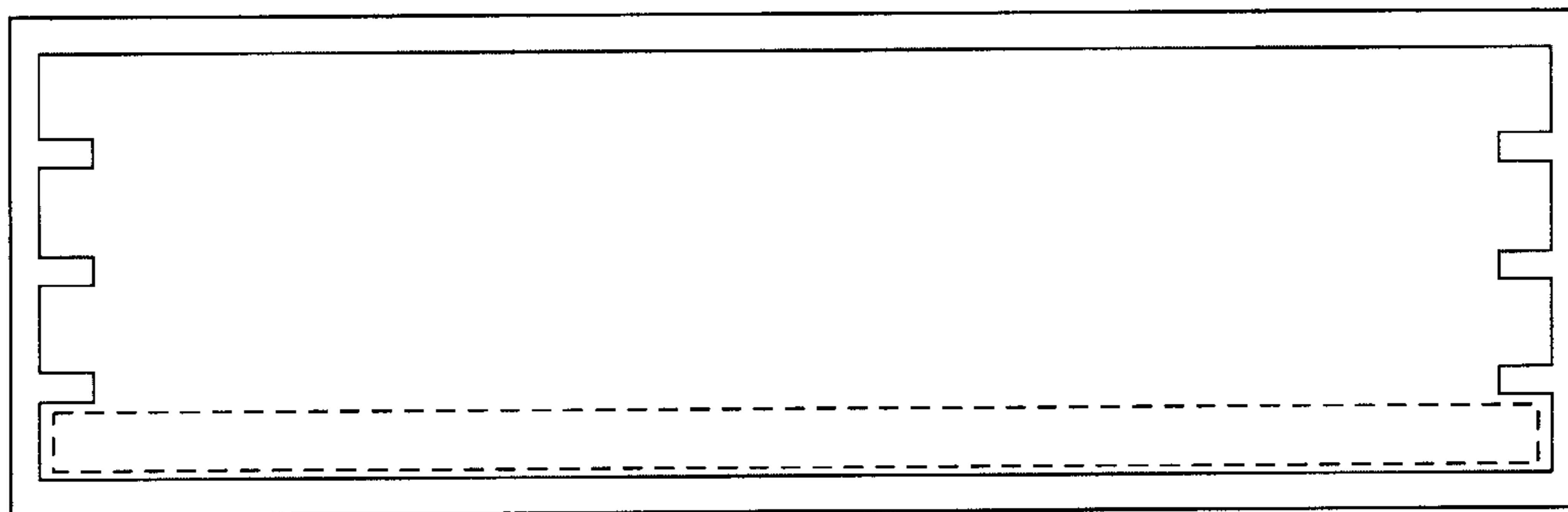


Figure 2

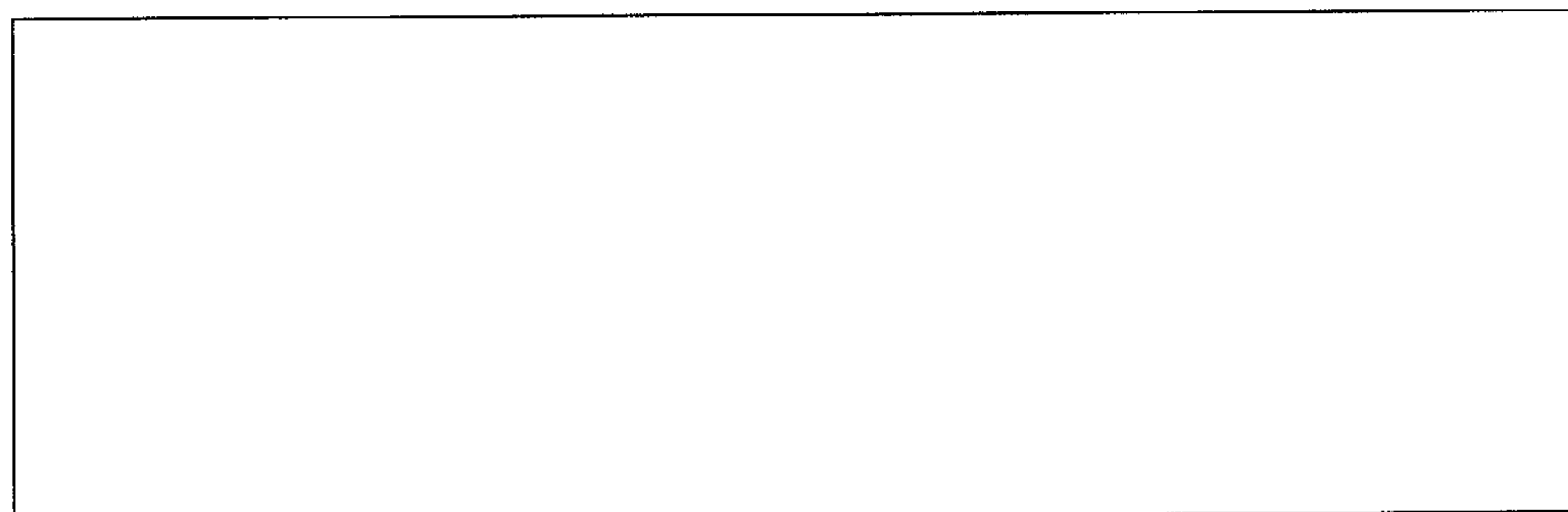


Figure 3

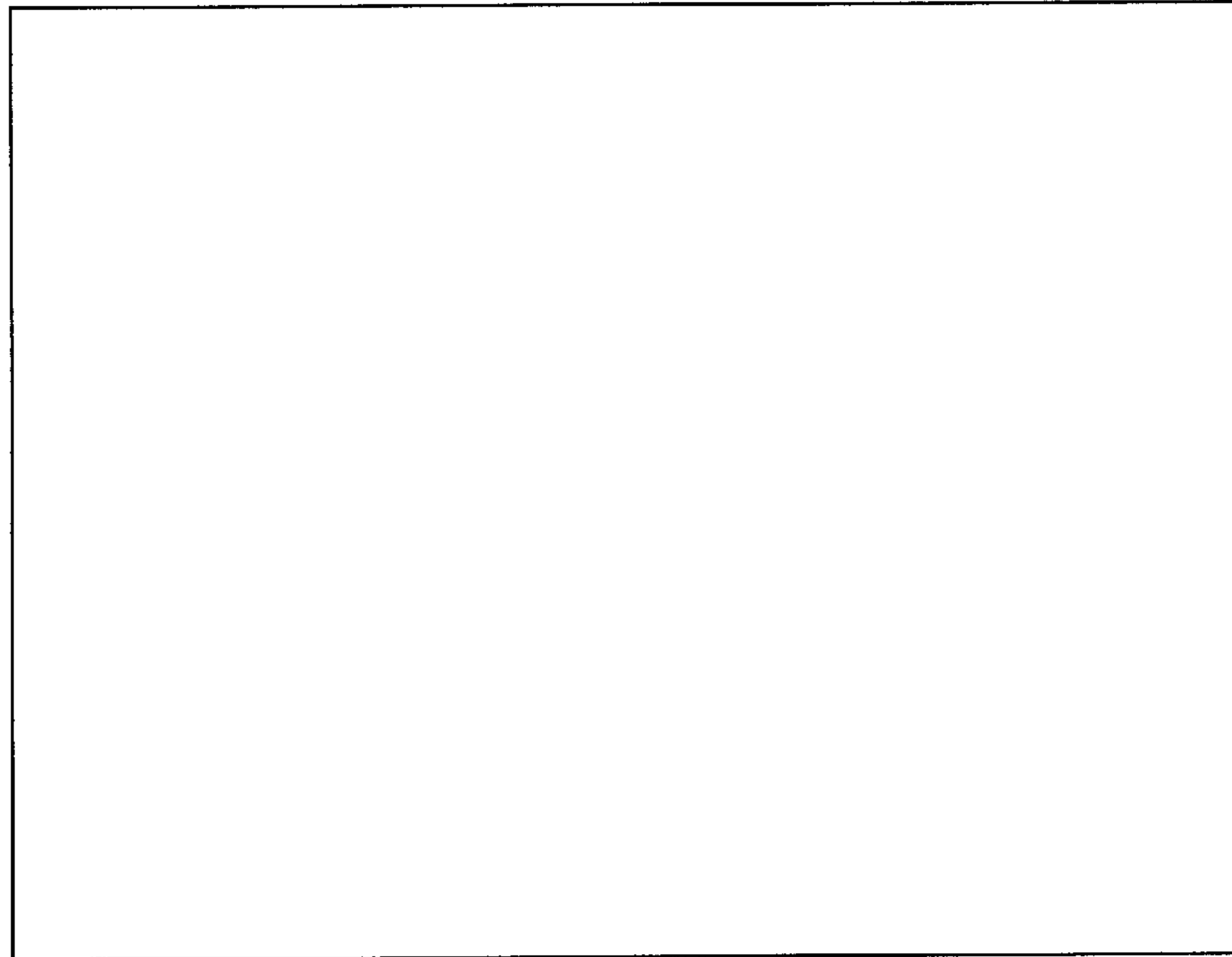


Figure 4

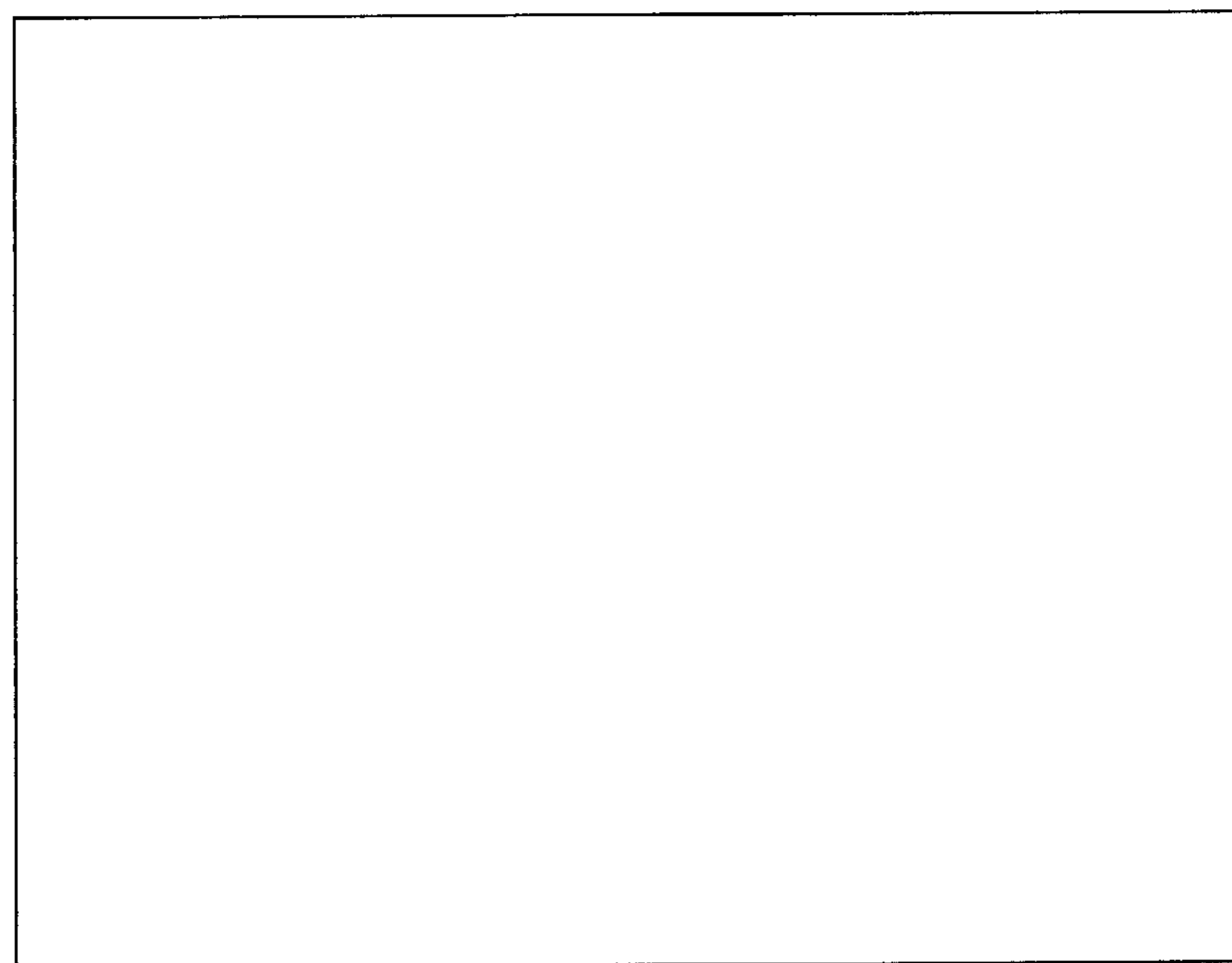


Figure 5

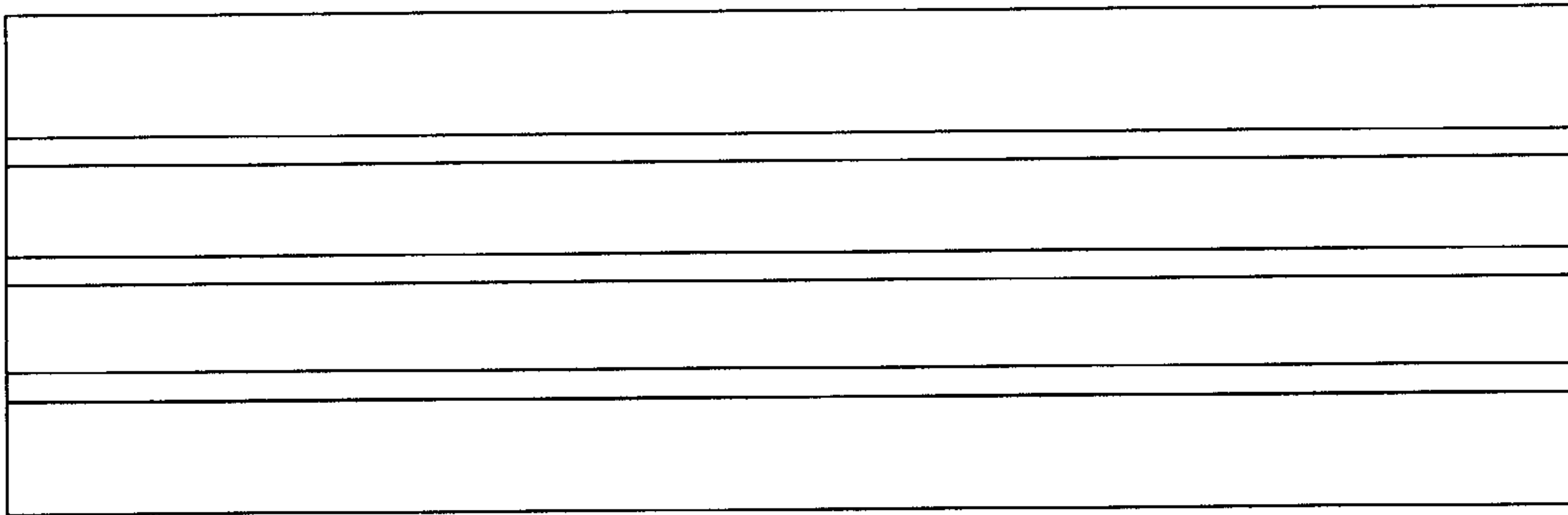


Figure 6

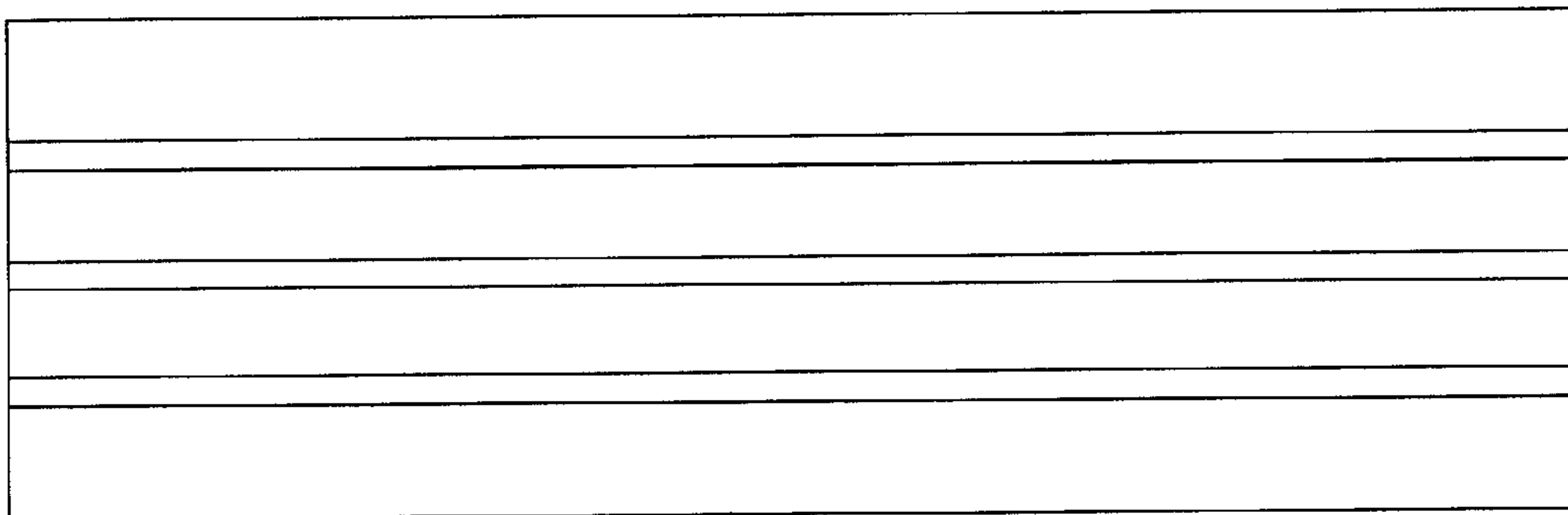


Figure 7

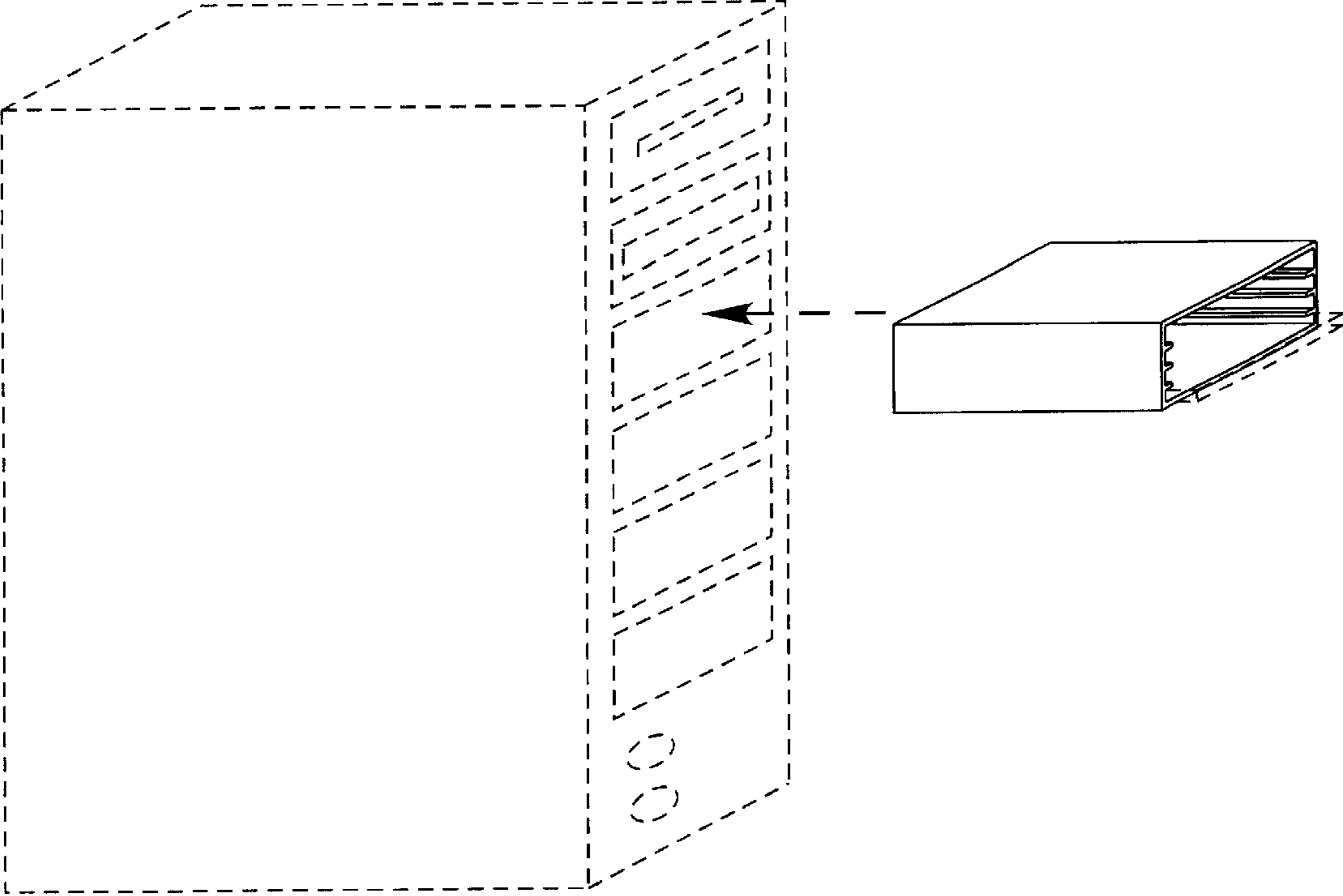


Figure 8