



US00D517547S

(12) **United States Design Patent**
Kubota

(10) **Patent No.:** **US D517,547 S**
(45) **Date of Patent:** **** Mar. 21, 2006**

(54) **COMPUTER**

(75) Inventor: **Yuuki Kubota**, Tokyo (JP)

(73) Assignee: **Sony Corporation**, Tokyo (JP)

(**) Term: **14 Years**

(21) Appl. No.: **29/220,411**

(22) Filed: **Jan. 3, 2005**

(51) **LOC (8) Cl.** **14-02**

(52) **U.S. Cl.** **D14/349**

(58) **Field of Classification Search** D14/349-356;
D13/162, 184, 199; 312/223.1-223.3; 360/99.01-99.12;
361/680-686, 690-696; 369/34.01, 36.01
See application file for complete search history.

(56) **References Cited**

U.S. PATENT DOCUMENTS

D315,551 S	*	3/1991	Aderman	D14/349
D337,995 S	*	8/1993	Barbera et al.	D14/352
D339,328 S	*	9/1993	Clark et al.	D14/349
D344,931 S	*	3/1994	Mousa	D14/349
D411,185 S	*	6/1999	Isshiki	D14/358
D484,129 S		12/2003	Hyogo		
D497,163 S	*	10/2004	Andre et al.	D14/349

FOREIGN PATENT DOCUMENTS

JP D1118769 S 8/2001

OTHER PUBLICATIONS

Web page "HP ProLiant" <http://hp.com/cgi-bin/pf-new.cgi?IN=http://h50146.www5.hp.com/products/serv...>, 1 sheet, Japan HP (Dec. 2004).

Web page "PC-YM735XP" http://www8.yodobashi.com/enjoy/more/i/cat_8427287-58-16179296-24855063/28102890.html, 1 sheet, Yodobashi Camera (Dec. 2004).

* cited by examiner

Primary Examiner—Freda S. Nunn

(74) *Attorney, Agent, or Firm*—Rader, Fishman & Grauer PLLC

(57) **CLAIM**

The ornamental design for a computer, as shown and described.

DESCRIPTION

FIG. 1 is a perspective view of a computer showing my new design;

FIG. 2 is a front elevational view thereof;

FIG. 3 is a rear elevational view thereof;

FIG. 4 is a left side elevational view thereof;

FIG. 5 is a right side elevational view thereof wherein lines 8—8 are shown;

FIG. 6 is a top plan view thereof;

FIG. 7 is a bottom plan view thereof; and,

FIG. 8 is an enlarged view thereof taken along the lines 8—8 in the direction of the arrows shown in FIG. 5.

The dot-dash broken lines are not included in the boundaries of the claimed design.

1 Claim, 5 Drawing Sheets

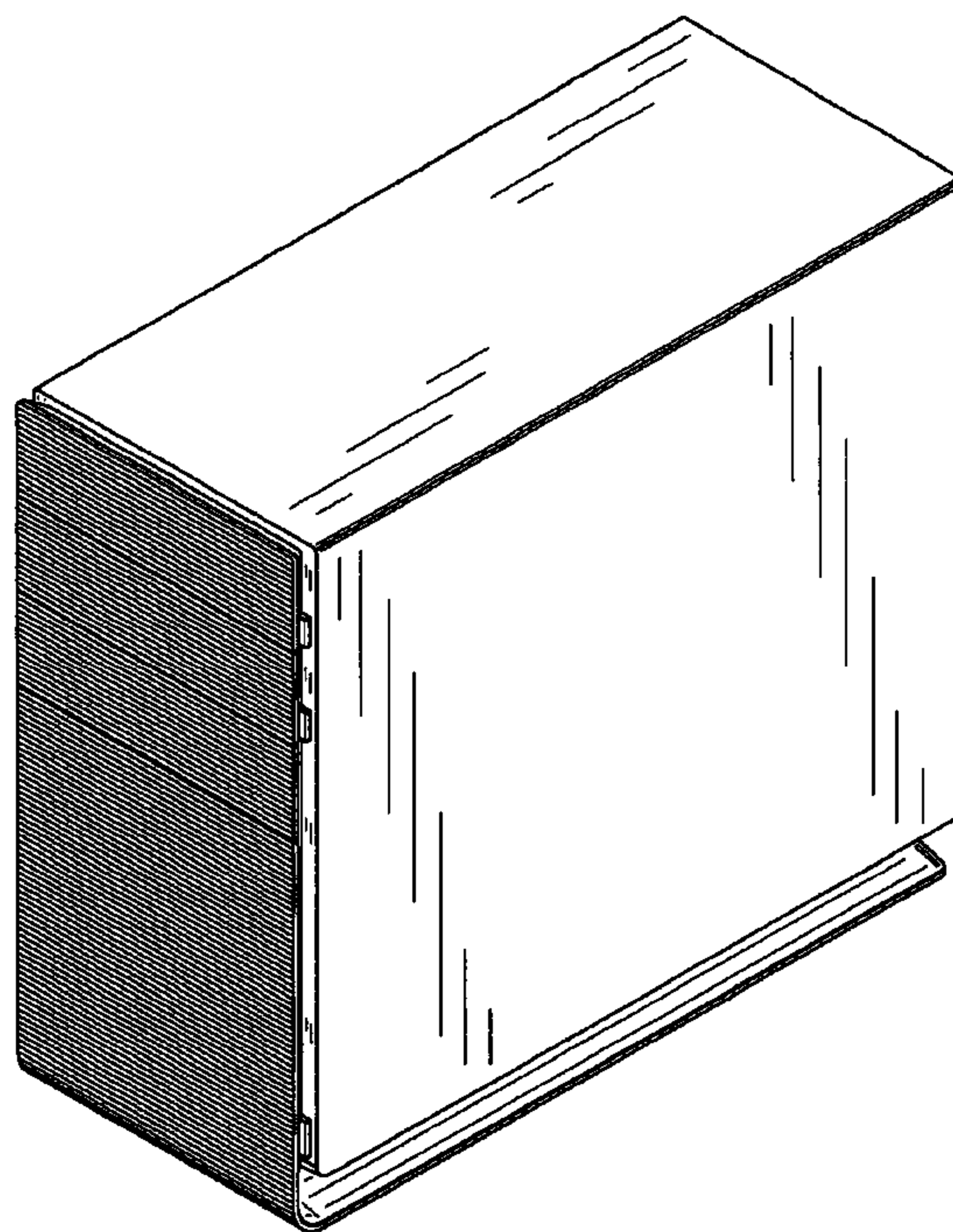


FIG.1

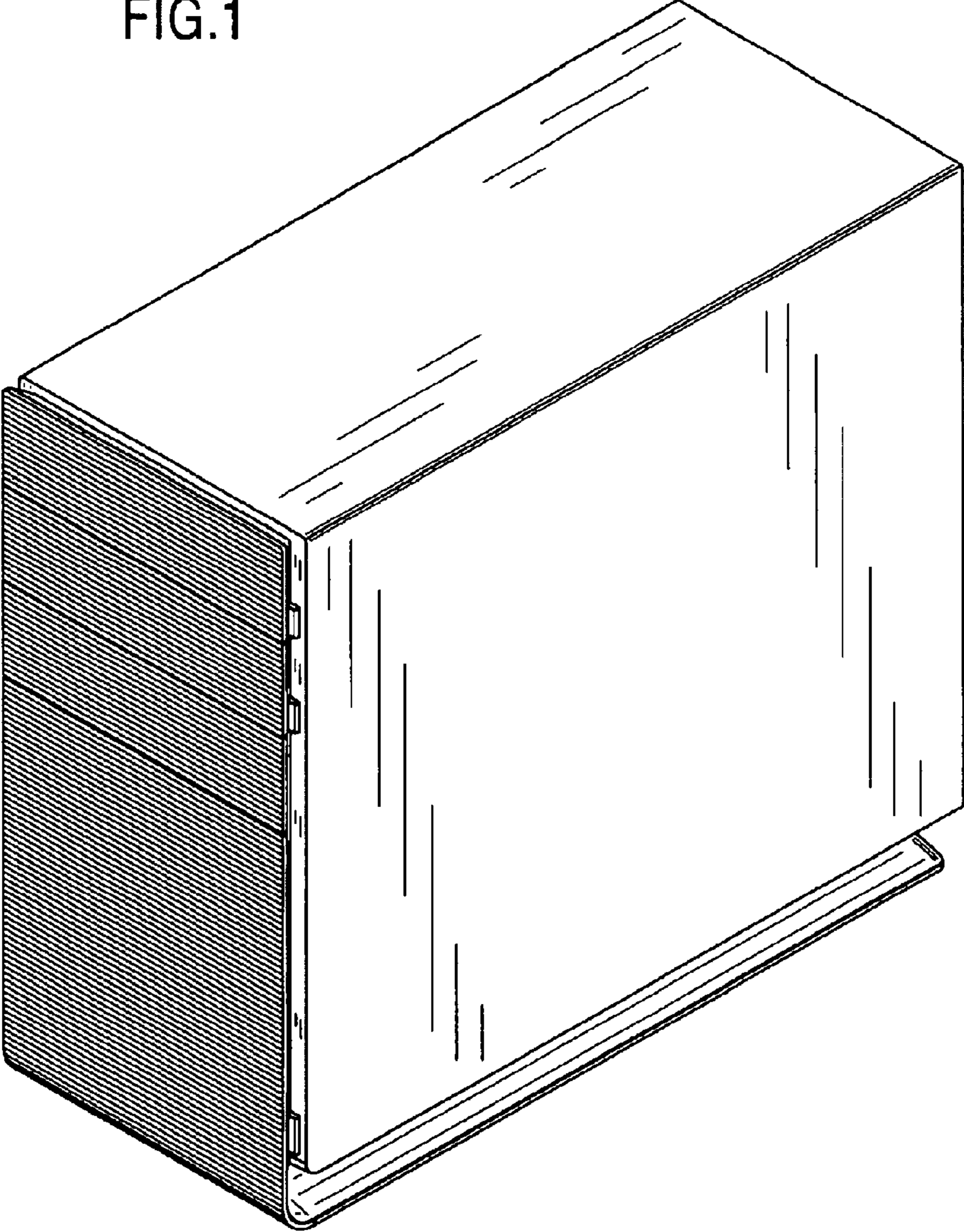


FIG.2

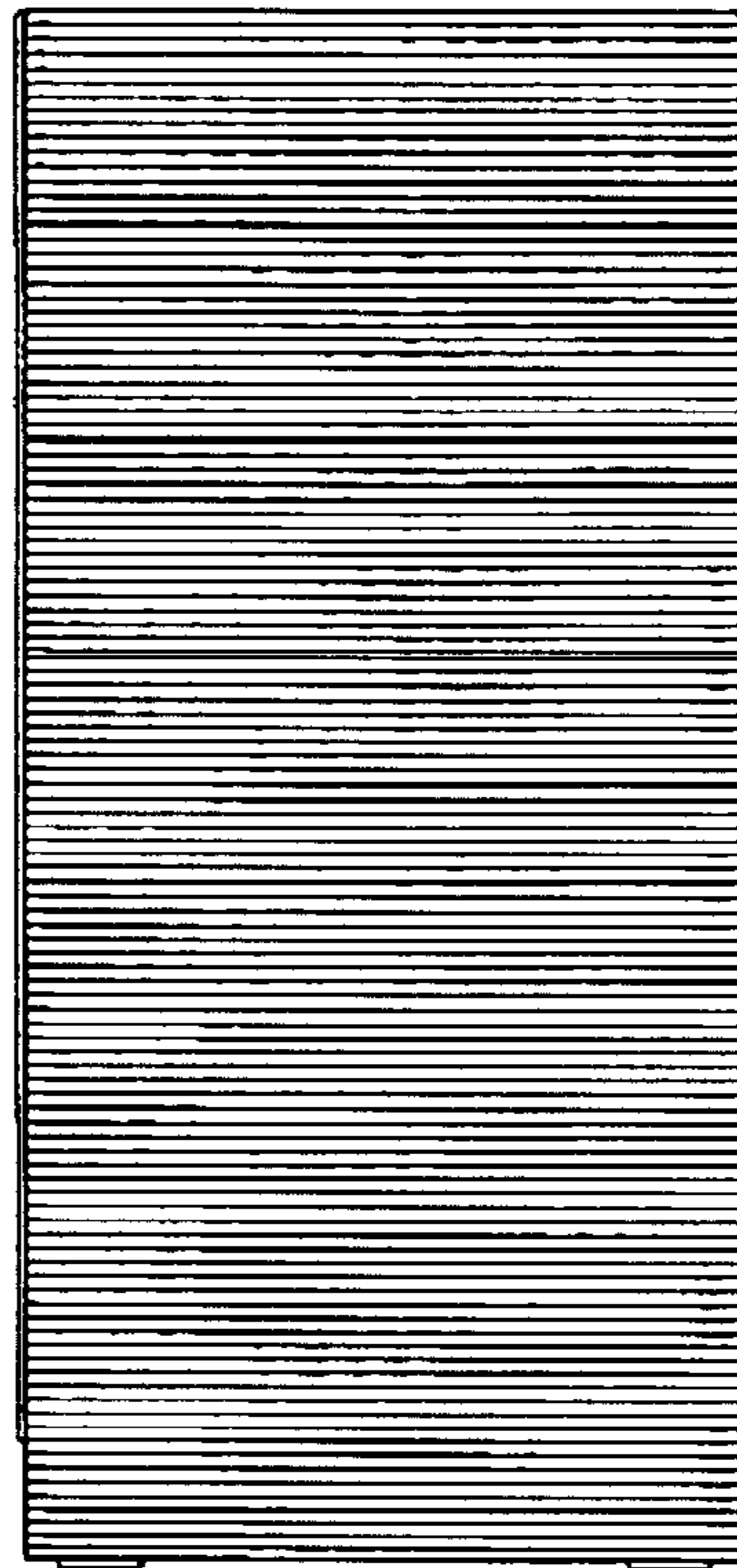


FIG.3

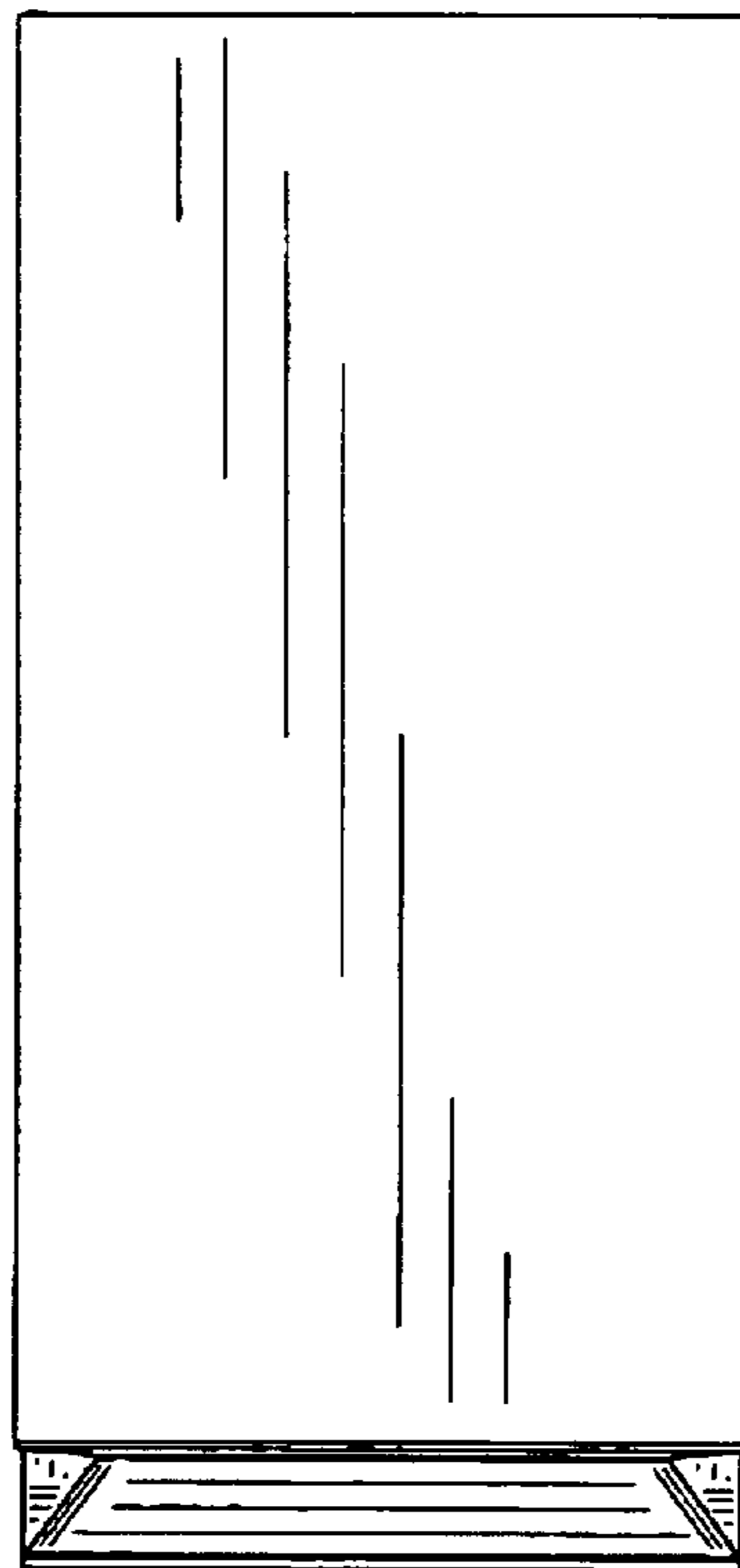
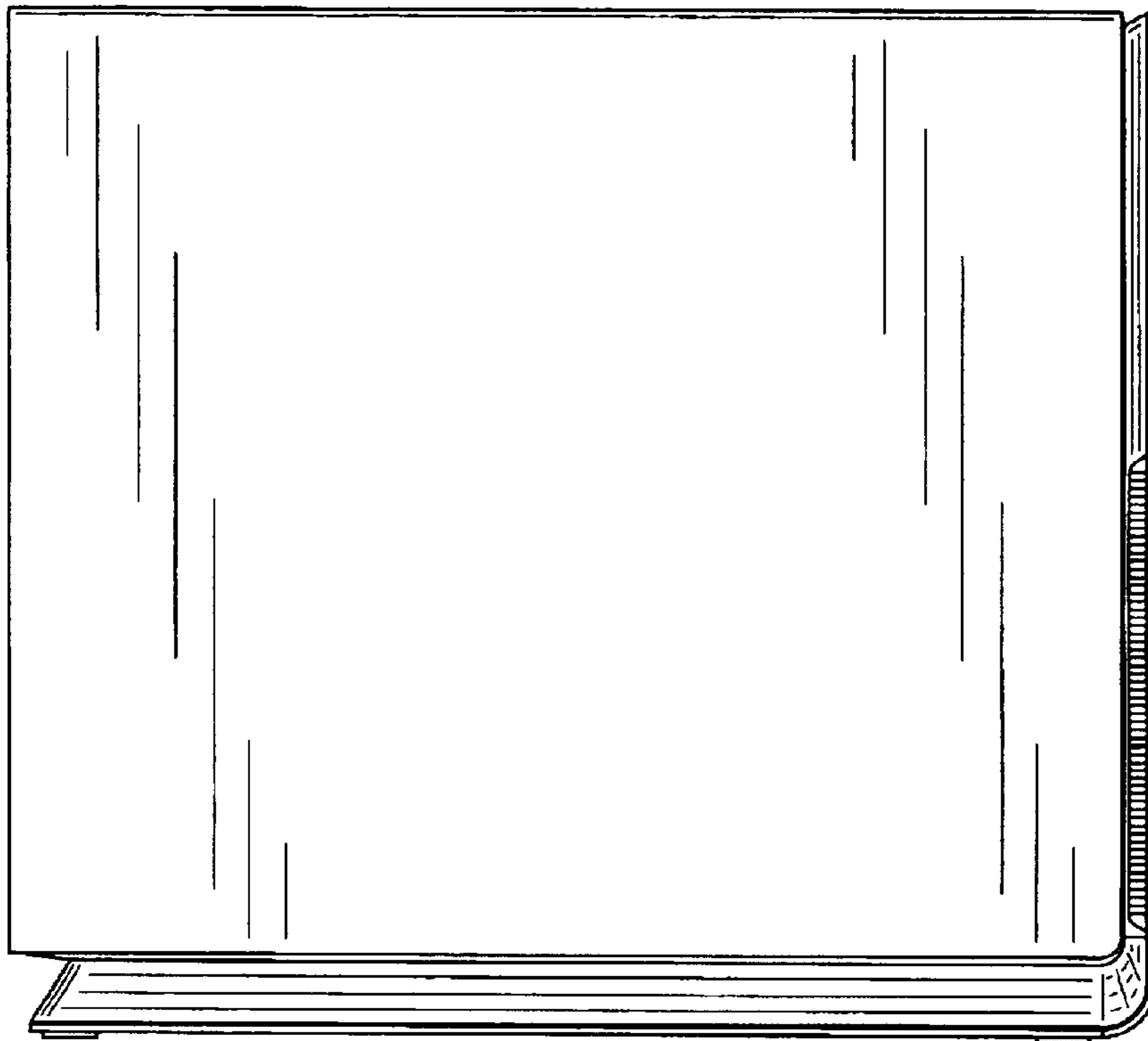


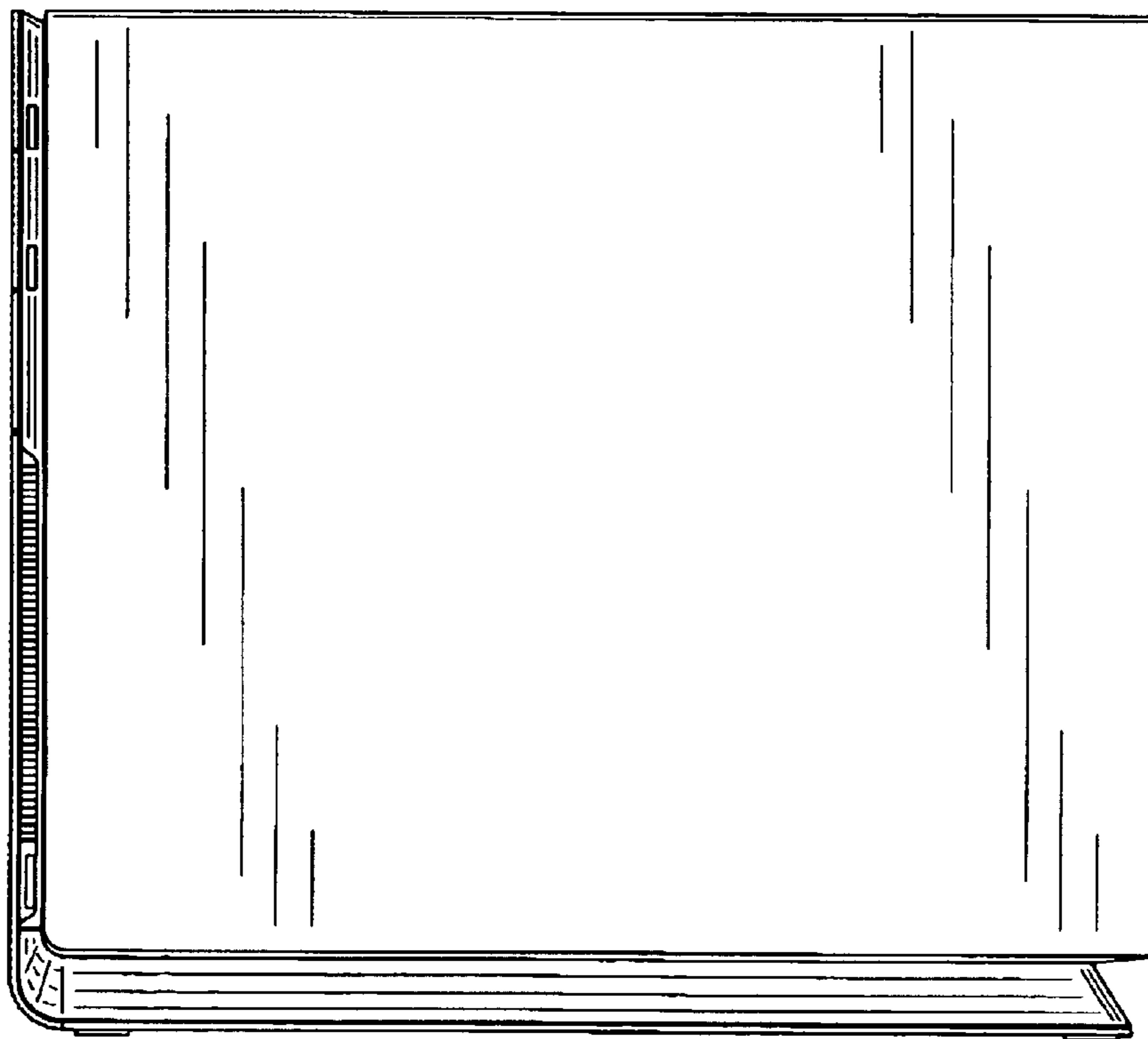
FIG.4



← VIII'

↑ VIII

FIG.5



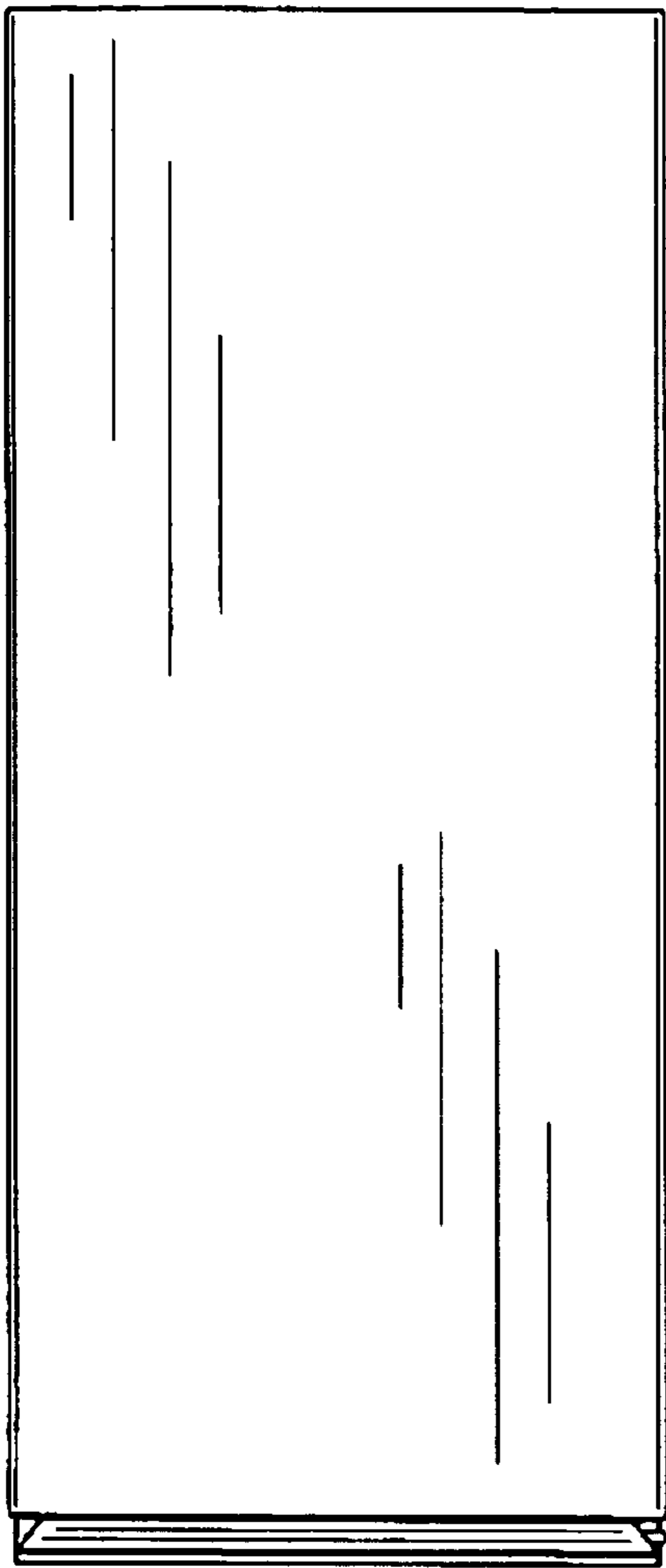


FIG. 6

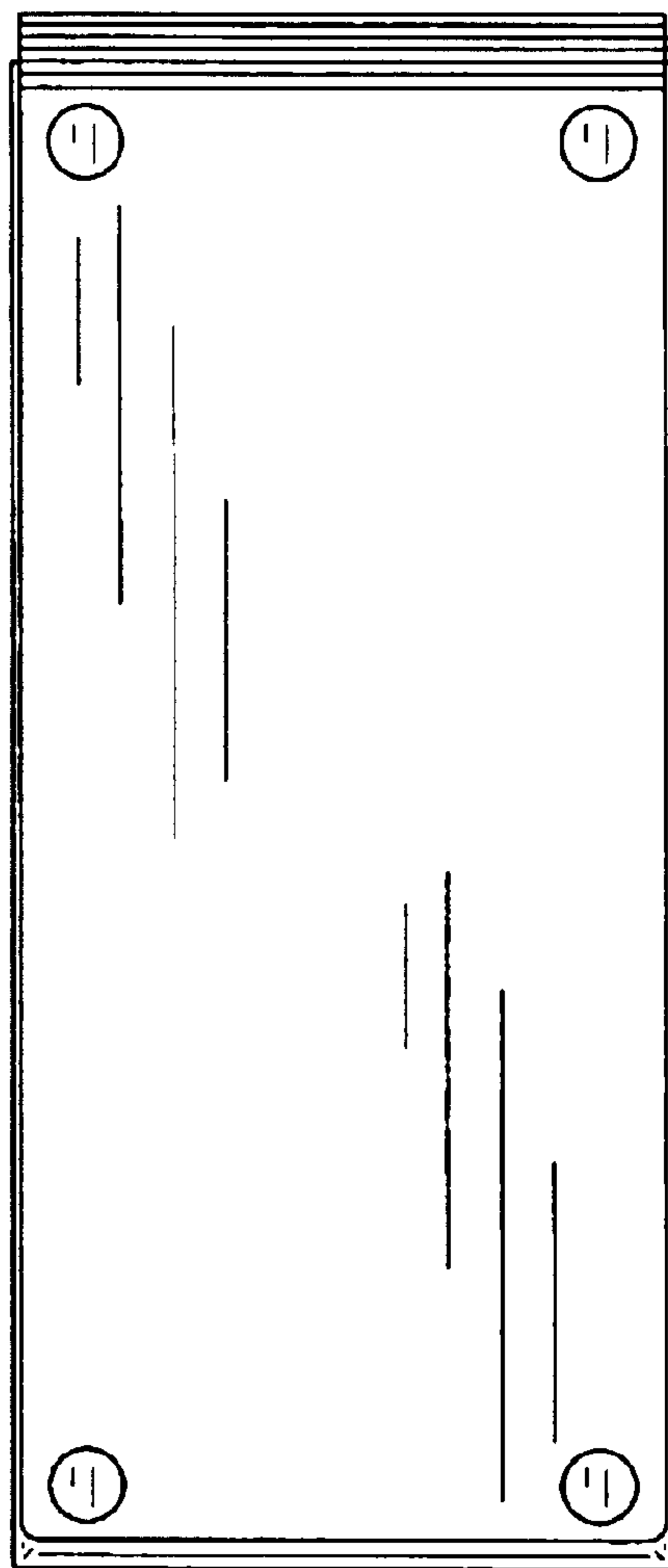


FIG. 7

FIG.8

