



US00D517546S

(12) **United States Design Patent**
Yamada

(10) **Patent No.:** **US D517,546 S**
(45) **Date of Patent:** **** Mar. 21, 2006**

(54) **COMPUTER**

D492,682 S * 7/2004 Lee D14/349

(75) Inventor: **Yoshinori Yamada**, Tokyo (JP)

(73) Assignee: **Sony Corporation**, Tokyo (JP)

(**) Term: **14 Years**

(21) Appl. No.: **29/219,180**

(22) Filed: **Dec. 15, 2004**

(51) **LOC (8) Cl.** **14-02**

(52) **U.S. Cl.** **D14/349**

(58) **Field of Classification Search** D14/349-356;
D13/162, 184, 199; 312/223.1-223.3; 360/99.01-99.12;
361/680-686, 690-696; 369/34.01, 36.01
See application file for complete search history.

(56) **References Cited**

U.S. PATENT DOCUMENTS

D393,836 S	4/1998	Hisatsune et al.	
D453,019 S	1/2002	Oba	
D468,737 S	* 1/2003	Chien et al.	D14/349
6,542,362 B1	* 4/2003	Lajara et al.	361/687
D480,723 S	* 10/2003	Lee et al.	D14/349
D484,500 S	12/2003	Matsuoka	

OTHER PUBLICATIONS

Web page "SonyStyle USA—R Series, VGC-RA826G"
[http://www.sonymstyle.com/is-bin/INTERSHOP.enfinity/eCS/Store/en/-/USD/S . . .](http://www.sonymstyle.com/is-bin/INTERSHOP.enfinity/eCS/Store/en/-/USD/S...), 3 sheets, Sony (Oct. 2004).

* cited by examiner

Primary Examiner—Freda S. Nunn

(74) *Attorney, Agent, or Firm*—Rader, Fishman & Grauer PLLC

(57) **CLAIM**

The ornamental design for a computer, as shown.

DESCRIPTION

FIG. 1 is a perspective view of a computer showing my new design;

FIG. 2 is a front elevational view thereof;

FIG. 3 is a rear elevational view thereof;

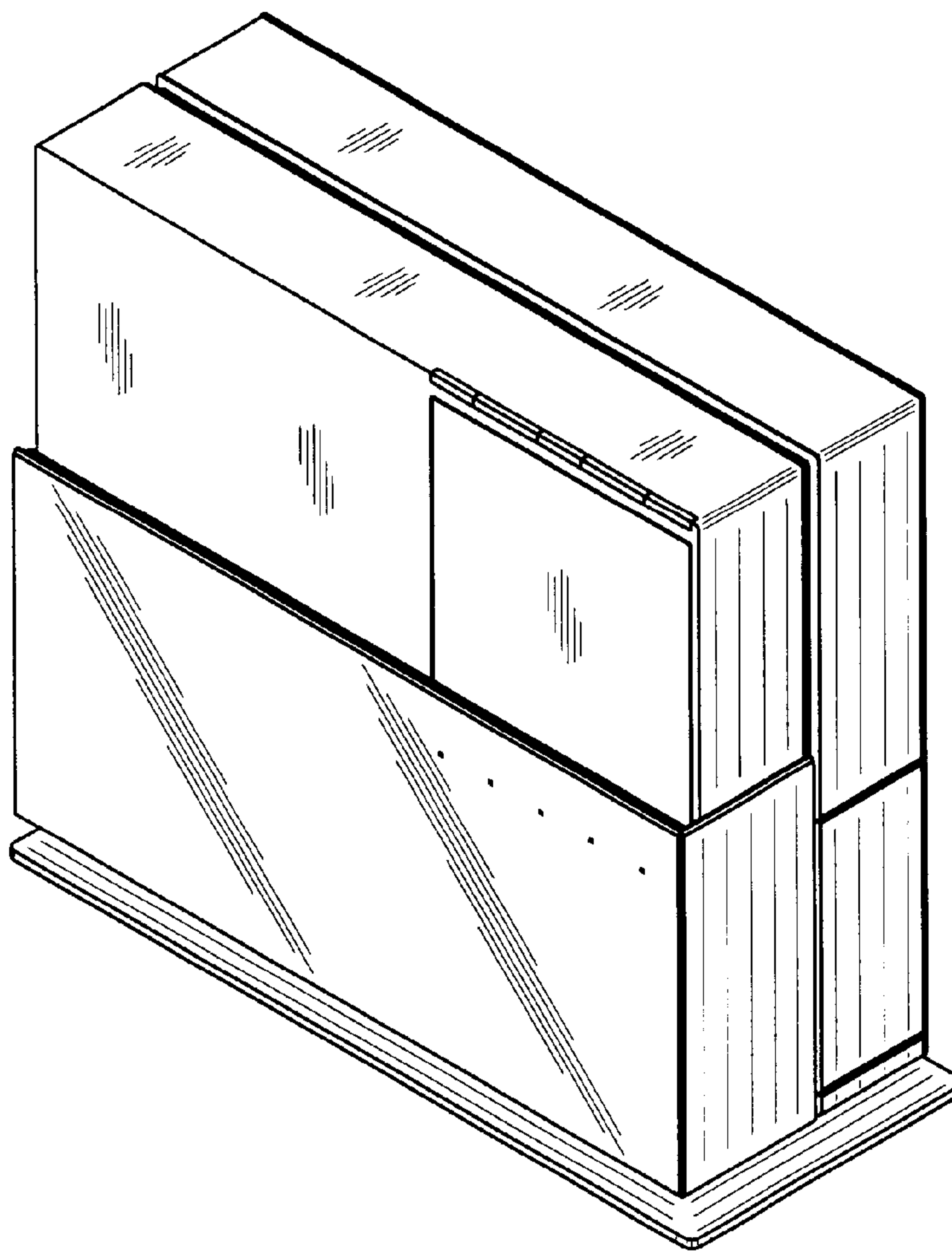
FIG. 4 is a left side elevational view thereof;

FIG. 5 is a right side elevational view thereof;

FIG. 6 is a top plan view thereof; and,

FIG. 7 is a bottom plan view thereof.

1 Claim, 4 Drawing Sheets



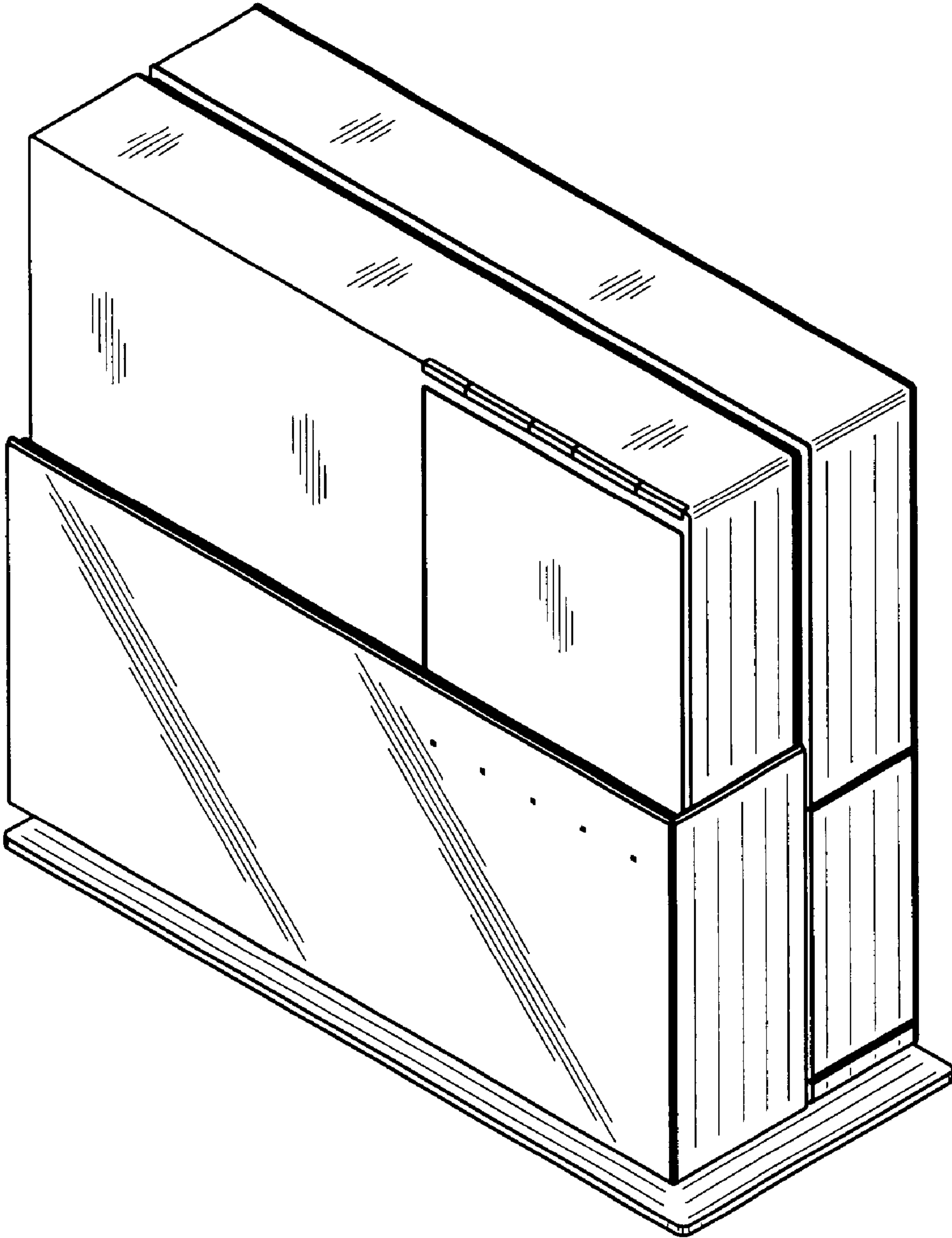


FIG. 1

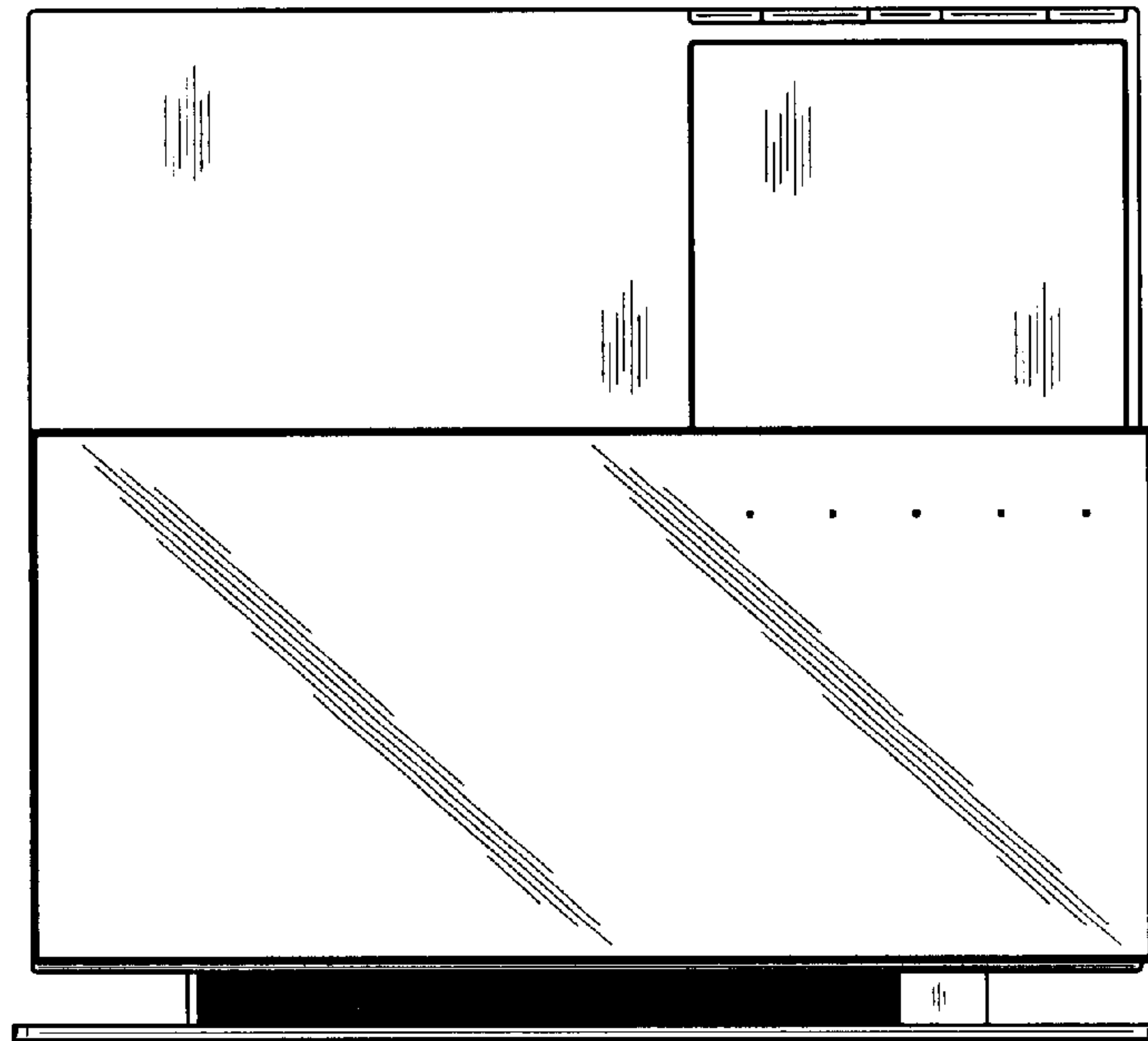


FIG. 2

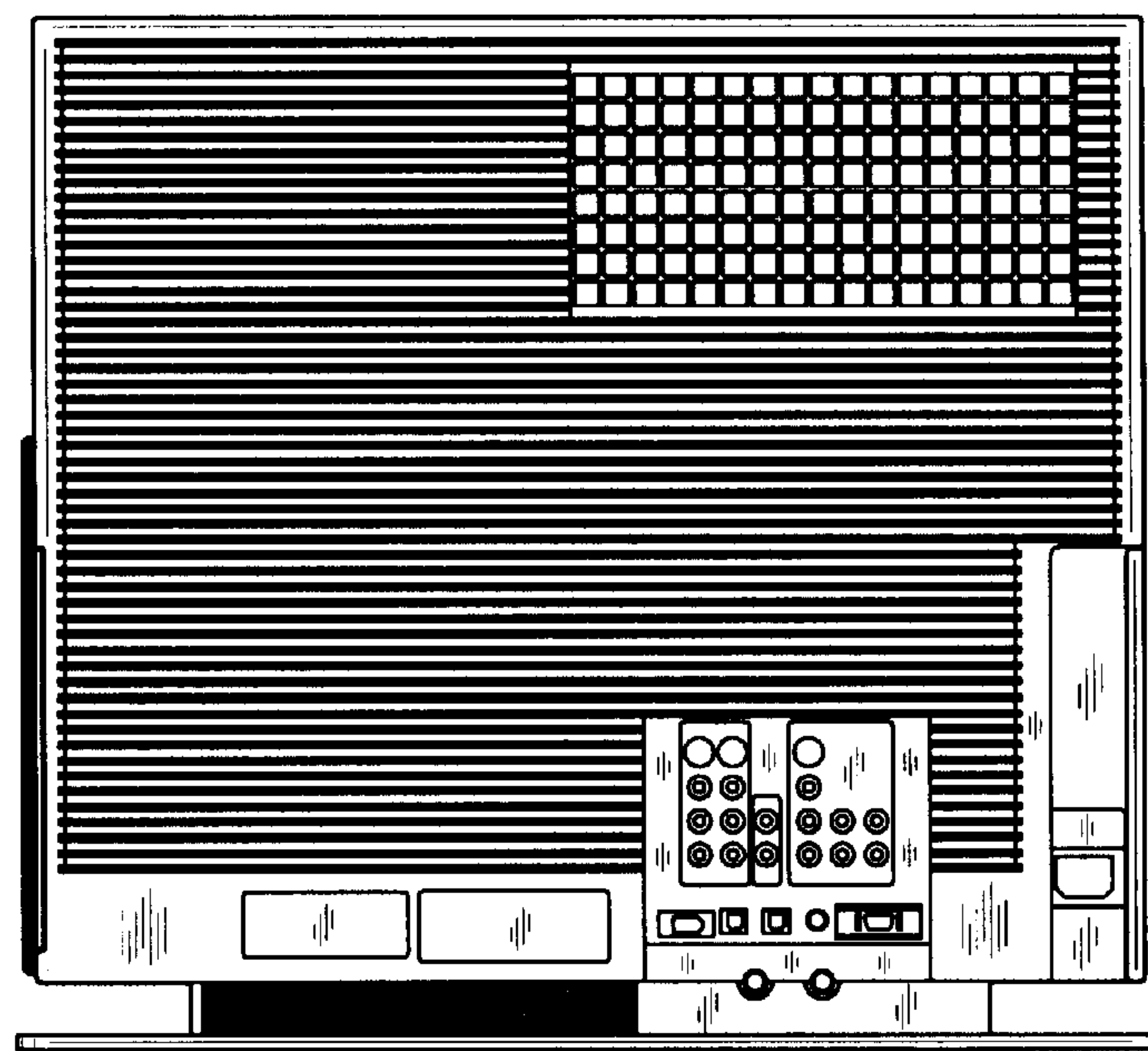


FIG. 3

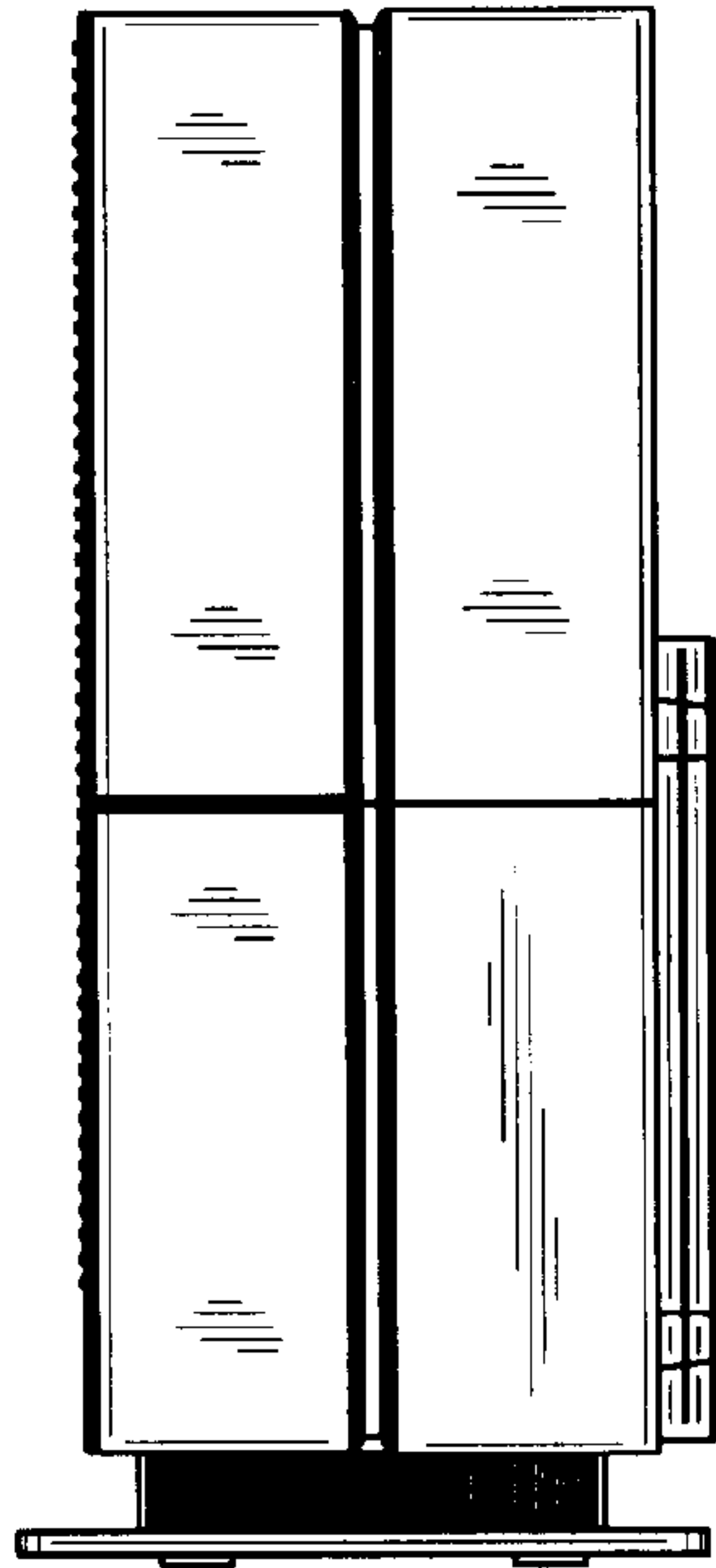


FIG. 4

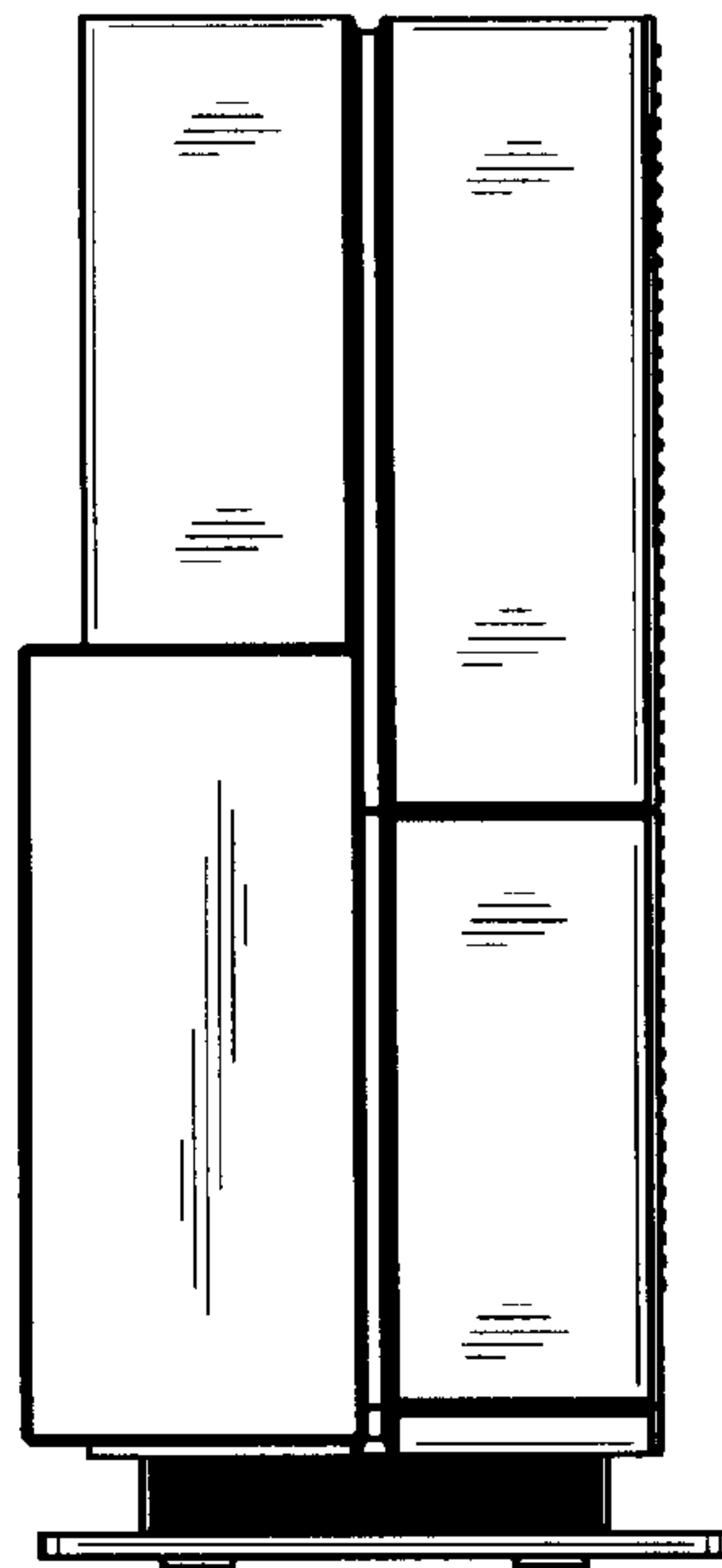


FIG. 5

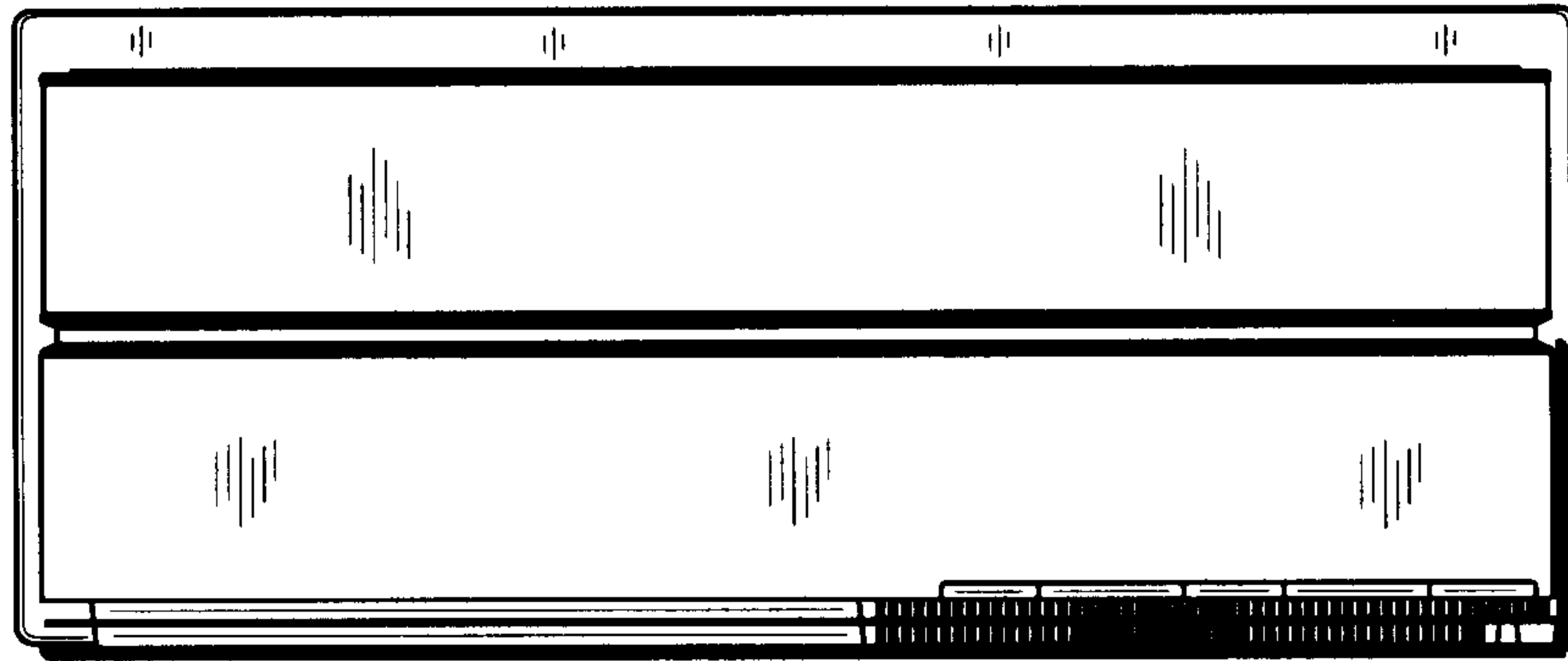


FIG. 6

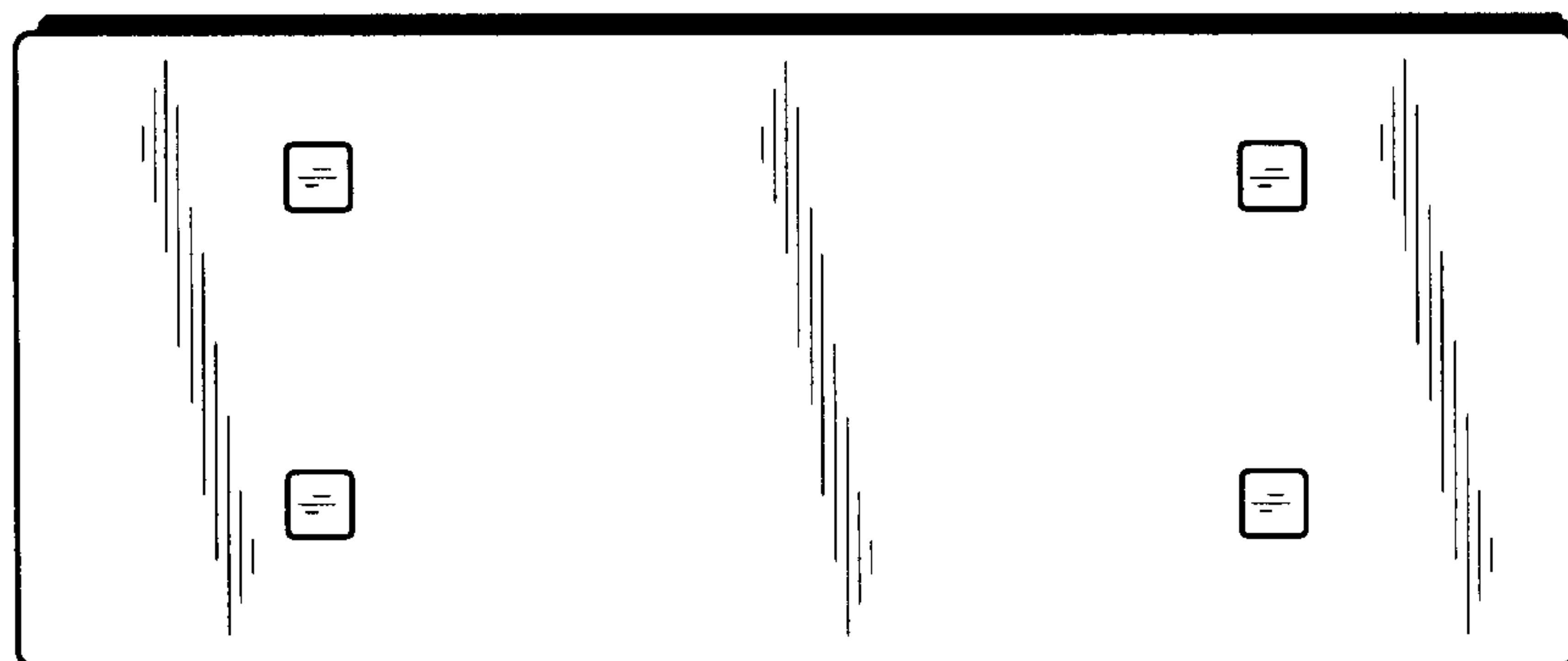


FIG. 7