



US00D517545S

(12) **United States Design Patent**
Buckel et al.

(10) **Patent No.:** **US D517,545 S**
(45) **Date of Patent:** **** Mar. 21, 2006**

(54) **ELECTRONIC BOOK**
(76) Inventors: **Gregory W. Buckel**, 1344 E. 35th St.,
Erie, PA (US) 16504; **Robert Buckel**,
2814 Contessa La., Erie, PA (US) 16506

(**) **Term:** **14 Years**

(21) **Appl. No.:** **29/223,767**

(22) **Filed:** **Feb. 22, 2005**

(51) **LOC (8) Cl.** **14-02**

(52) **U.S. Cl.** **D14/345**

(58) **Field of Classification Search** D14/341-346,
D14/373; D19/26, 59, 60; 345/1.1, 156, 169,
345/173; 349/12; 178/18.03; 434/307 R,
434/308, 309, 317; 361/681

See application file for complete search history.

(56) **References Cited**

U.S. PATENT DOCUMENTS

5,534,888 A	7/1996	Lebby	
D378,686 S	* 4/1997	Proctor et al. D19/60
5,663,748 A	9/1997	Huffman	
D385,299 S	* 10/1997	Adams D14/342
5,697,793 A	* 12/1997	Huffman et al. 434/317

D391,987 S	* 3/1998	Jambhekar et al. D14/345
5,847,698 A	12/1998	Reavey	
6,011,545 A	* 1/2000	Henderson et al. 345/173
D445,787 S	* 7/2001	Francis D14/345
6,313,828 B1	11/2001	Chombo	
6,512,497 B1	1/2003	Kondo	
D493,463 S	* 7/2004	Takahashi D14/373
2003/0179541 A1	* 9/2003	Sullivan 361/681
2004/0046705 A1	* 3/2004	Masazumi et al. 345/1.1
2004/0219501 A1	* 11/2004	Small et al. 434/317

* cited by examiner

Primary Examiner—Freda S. Nunn

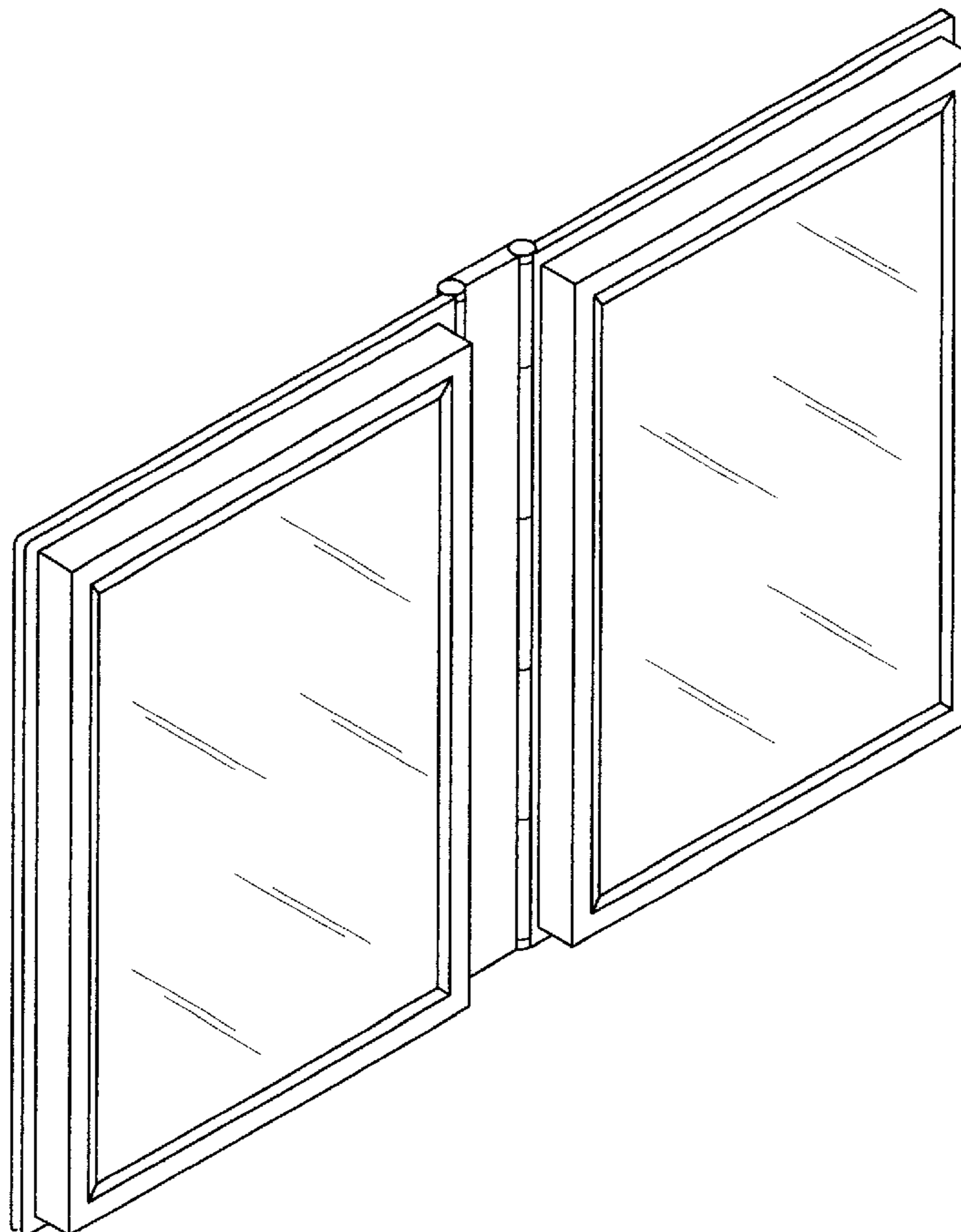
(57) **CLAIM**

The ornamental design for an electronic book, as shown.

DESCRIPTION

FIG. 1 is a frontal view showing our design;
FIG. 2 is a back view thereof;
FIG. 3 is a side view thereof;
FIG. 4 is a side view thereof;
FIG. 5 is a top view thereof;
FIG. 6 is a bottom view thereof; and,
FIG. 7 is a perspective view.

1 Claim, 4 Drawing Sheets



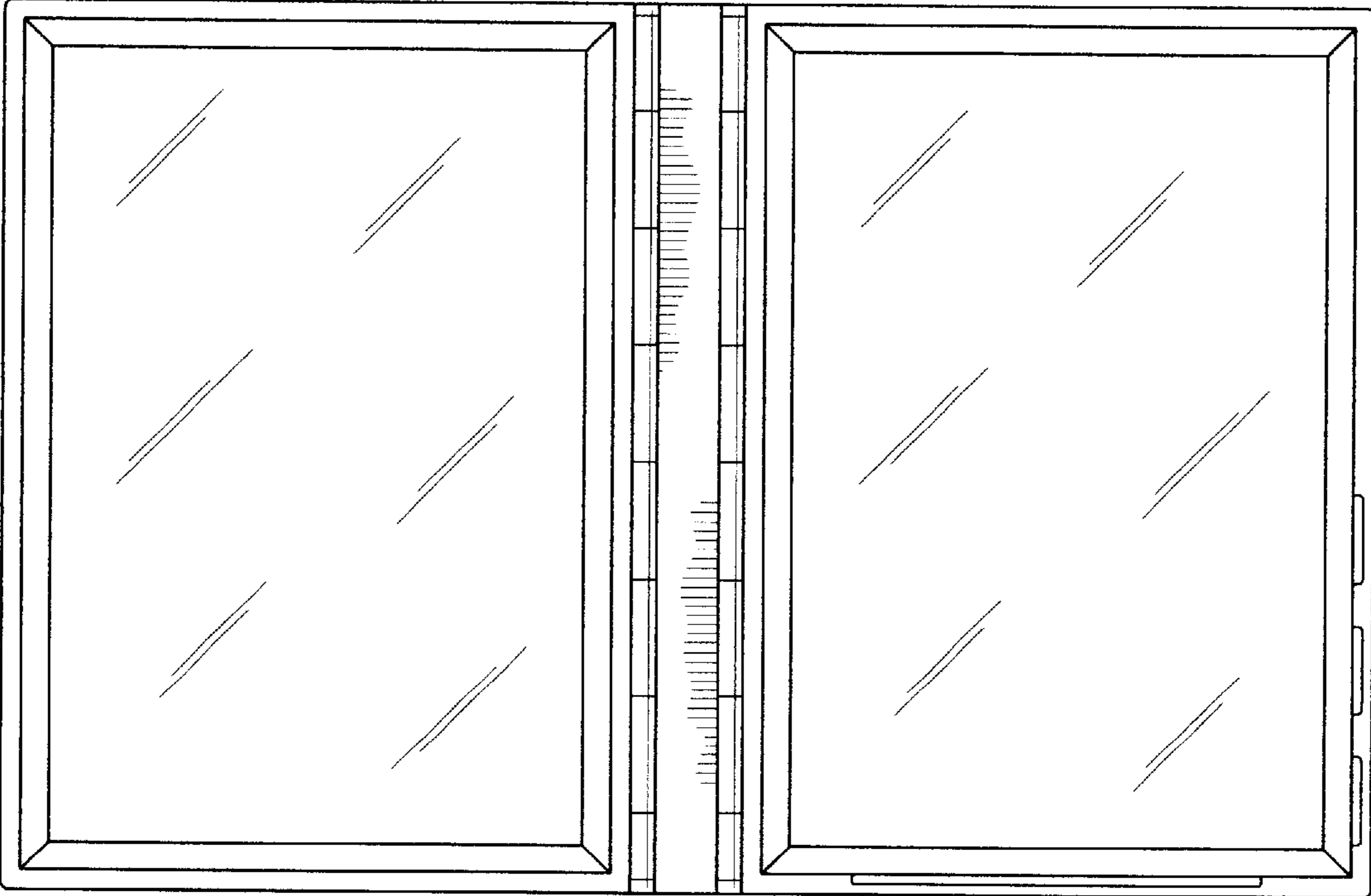


FIG.1

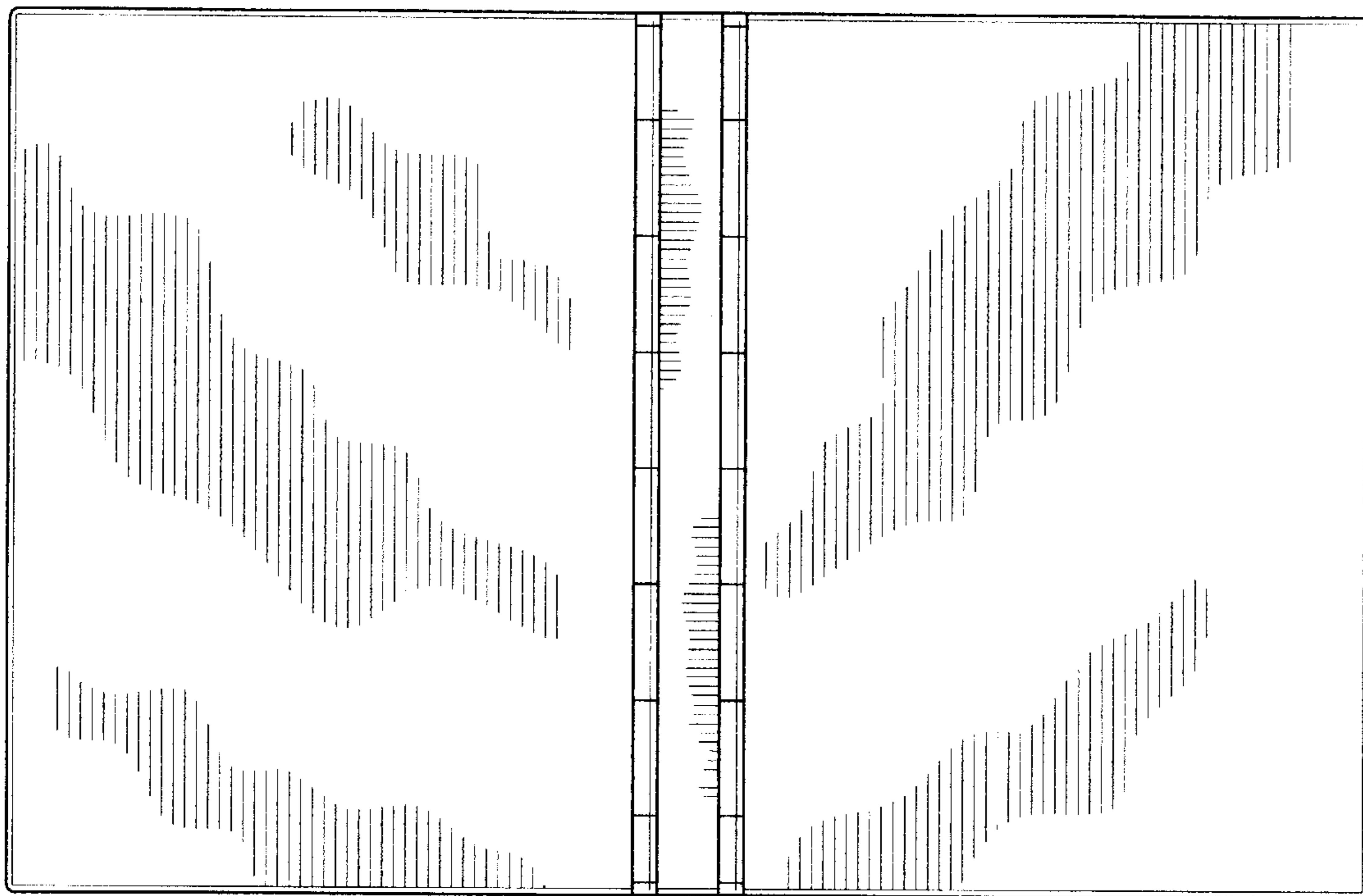


FIG.2



FIG. 3



FIG. 4

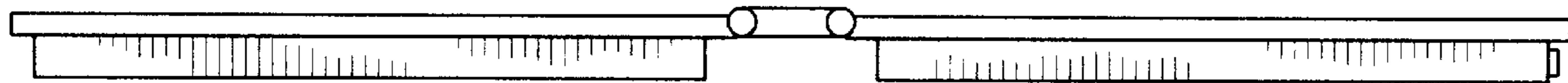


FIG. 5

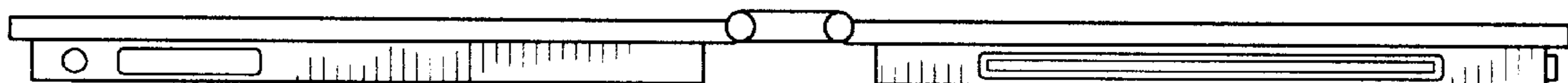


FIG. 6

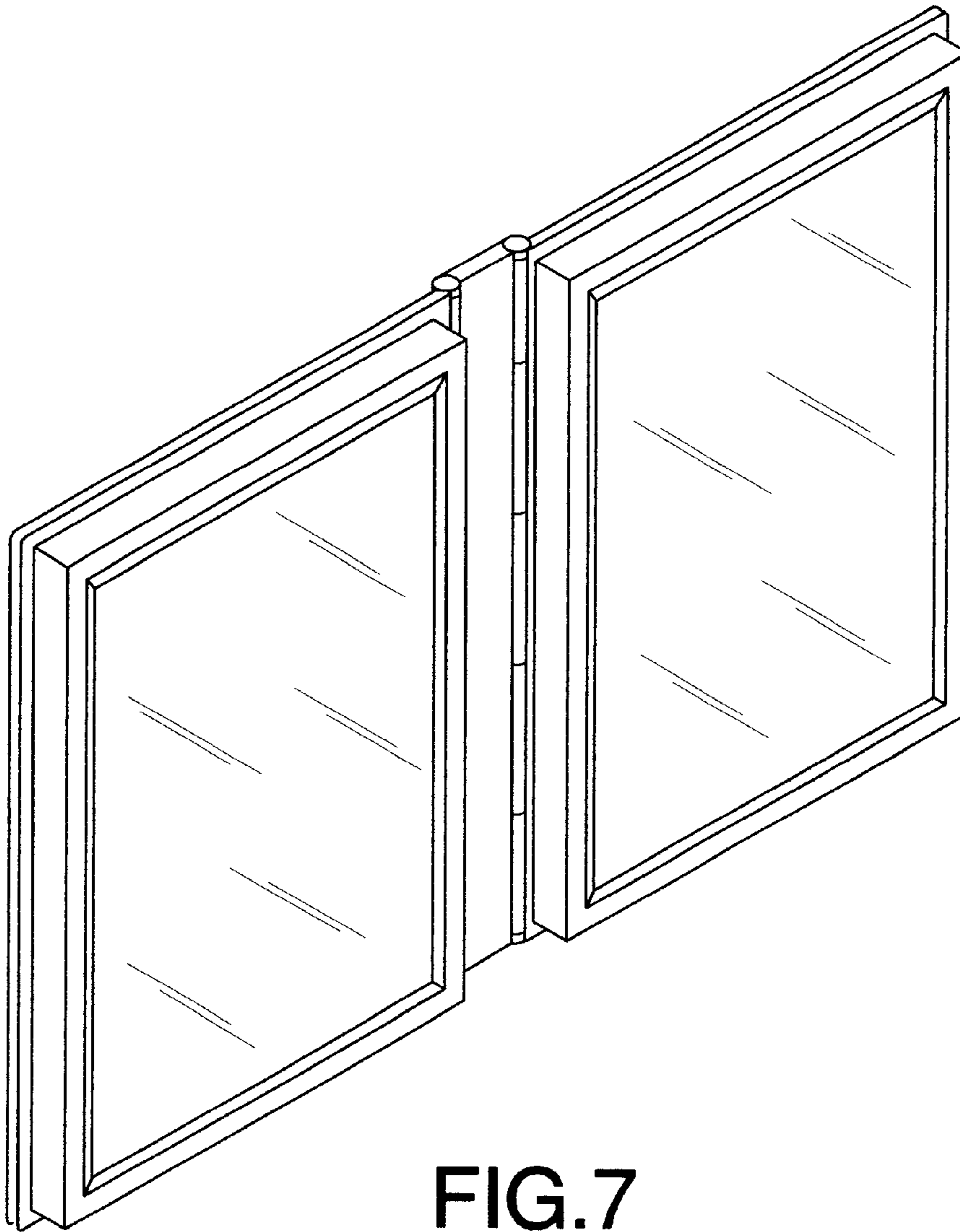


FIG. 7