



US00D517541S

(12) **United States Design Patent**  
**Maskatia**

(10) **Patent No.:** **US D517,541 S**  
(45) **Date of Patent:** **\*\* Mar. 21, 2006**

(54) **NOTEBOOK COMPUTER**

(75) **Inventor:** **Arif Maskatia**, Milpitas, CA (US)

(73) **Assignee:** **Acer Incorporated**, Hsi-Chih (TW)

(\*\*) **Term:** **14 Years**

(21) **Appl. No.:** **29/213,172**

(22) **Filed:** **Sep. 15, 2004**

**Related U.S. Application Data**

(63) Continuation-in-part of application No. 29/204,111, filed on Apr. 26, 2004, now Pat. No. Des. 504,128.

(51) **LOC (8) Cl.** ..... **14-02**

(52) **U.S. Cl.** ..... **D14/318**

(58) **Field of Classification Search** ..... D14/315-328;  
235/145 A, 145 R; 341/22, 23; 345/104,  
345/156, 168, 169; 361/680-686, 690-696;  
400/486, 489; D18/1, 2, 7; 348/373  
See application file for complete search history.

(56) **References Cited**

**U.S. PATENT DOCUMENTS**

D310,071 S \* 8/1990 Kit ..... D14/315  
5,475,563 A \* 12/1995 Donahoe et al. .... 361/695  
D417,204 S \* 11/1999 Liu et al. .... D14/318  
6,067,224 A \* 5/2000 Nobuchi ..... 361/683

D426,574 S \* 6/2000 Chan ..... D14/318  
6,323,902 B1 \* 11/2001 Ishikawa ..... 348/373  
D477,316 S \* 7/2003 Ogasawara ..... D14/327  
D504,128 S \* 4/2005 Maskatia ..... D14/318

\* cited by examiner

*Primary Examiner*—Freda S. Nunn

(74) *Attorney, Agent, or Firm*—Winston Hsu

(57) **CLAIM**

The ornamental design for a notebook computer, as shown and described.

**DESCRIPTION**

FIG. 1 is a top plan view of a notebook computer showing our new design.

FIG. 2 is a left side elevational view thereof.

FIG. 3 is a right side elevational view thereof.

FIG. 4 is a rear elevational view thereof.

FIG. 5 is a front elevational view thereof.

FIG. 6 is a perspective view thereof when opening its panel.

FIG. 7 is a perspective view thereof with the panel halfway installed.

FIG. 8 is a perspective view thereof with the panel forefront installed.

FIG. 9 is a perspective view thereof with the panel facing top; and,

FIG. 10 is a bottom plan view thereof.

**1 Claim, 10 Drawing Sheets**



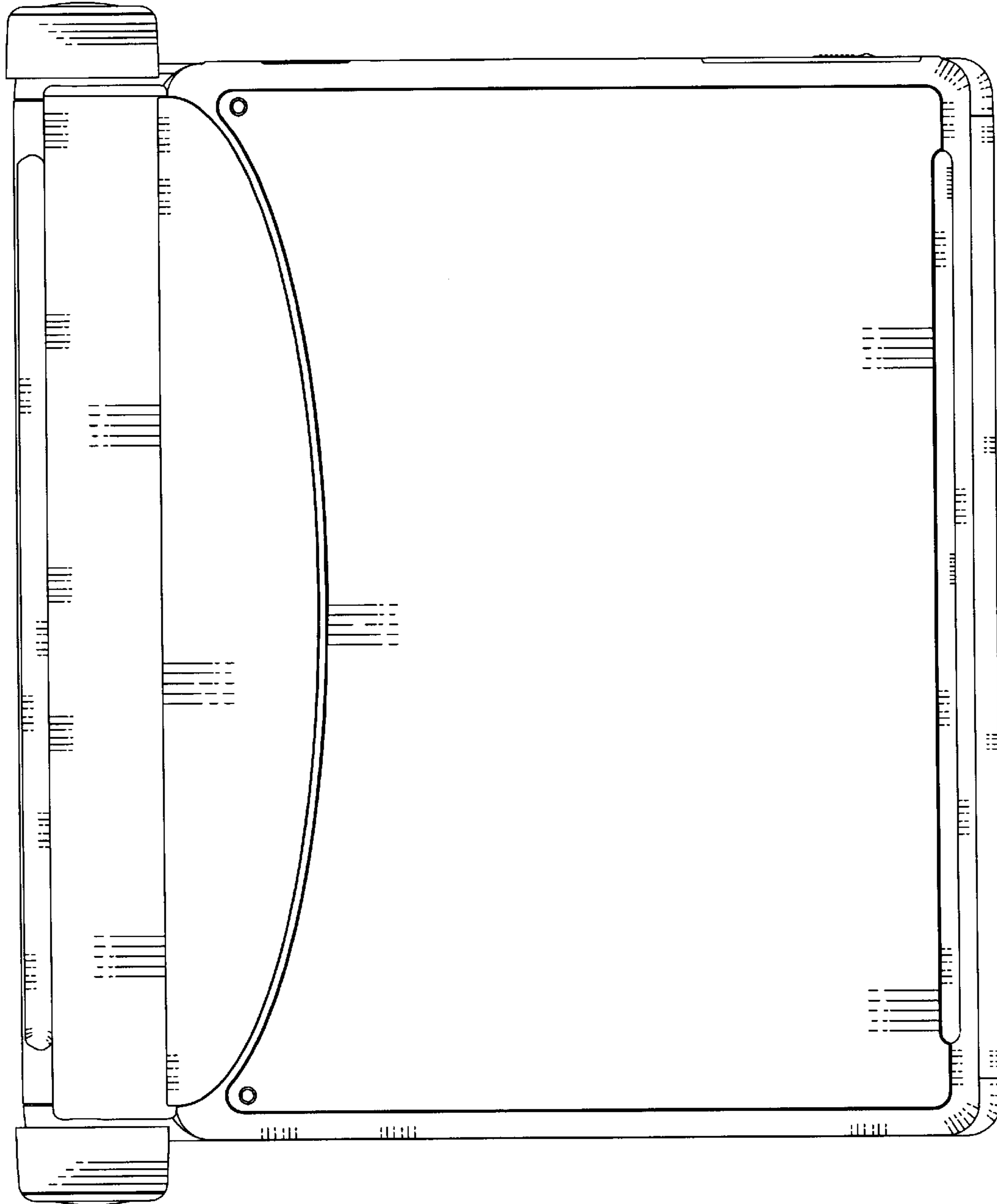


Fig. 1

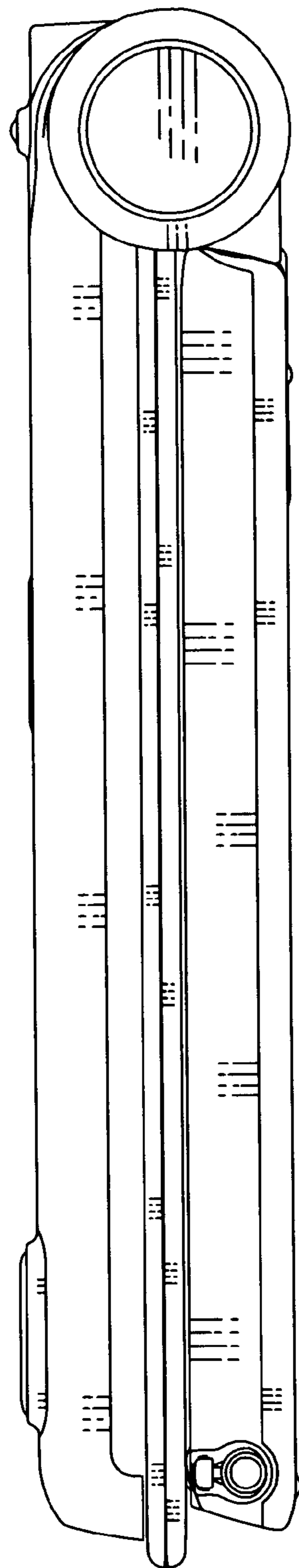


Fig. 2

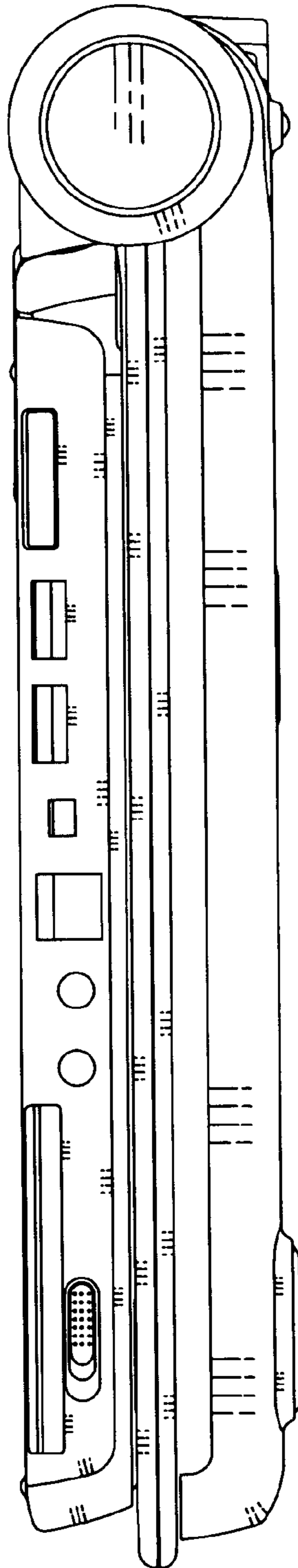


Fig. 3

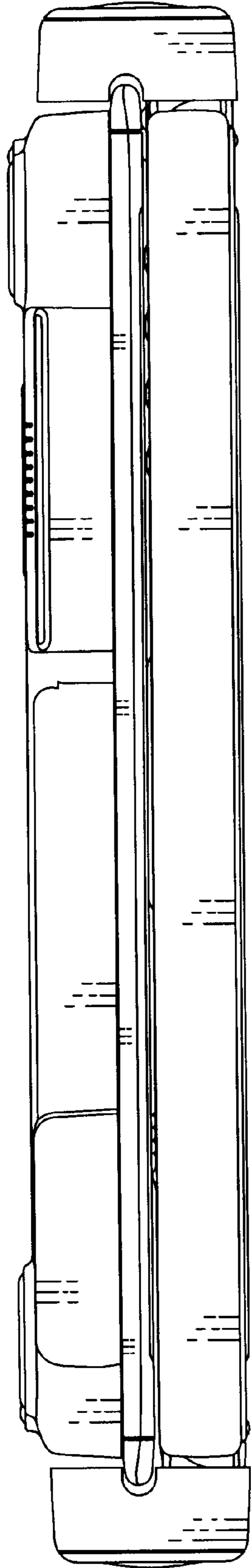


Fig. 4

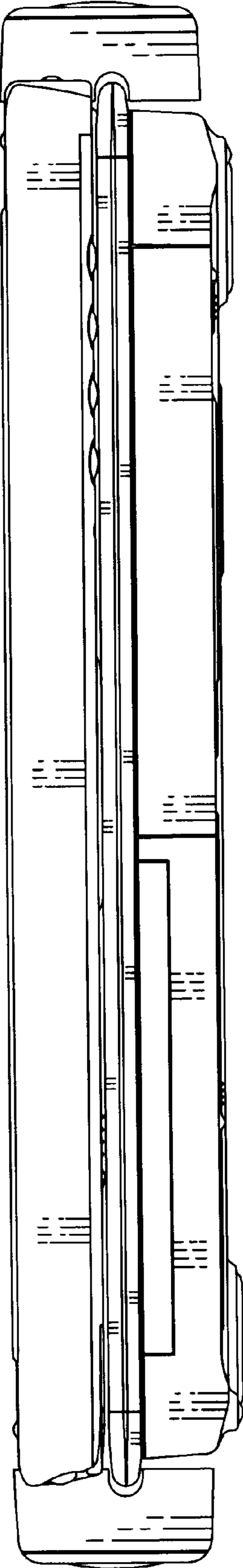


Fig. 5

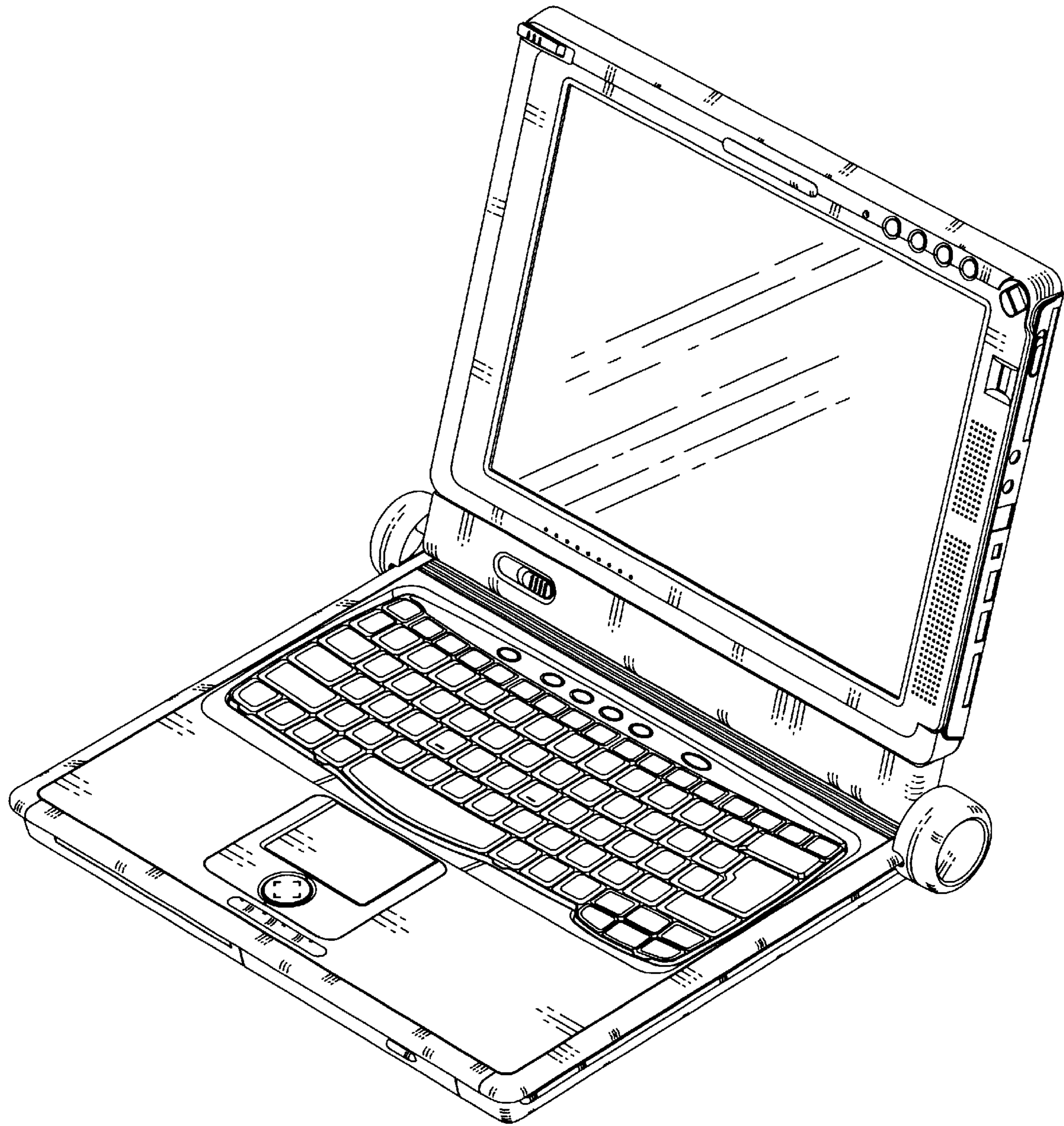


Fig. 6

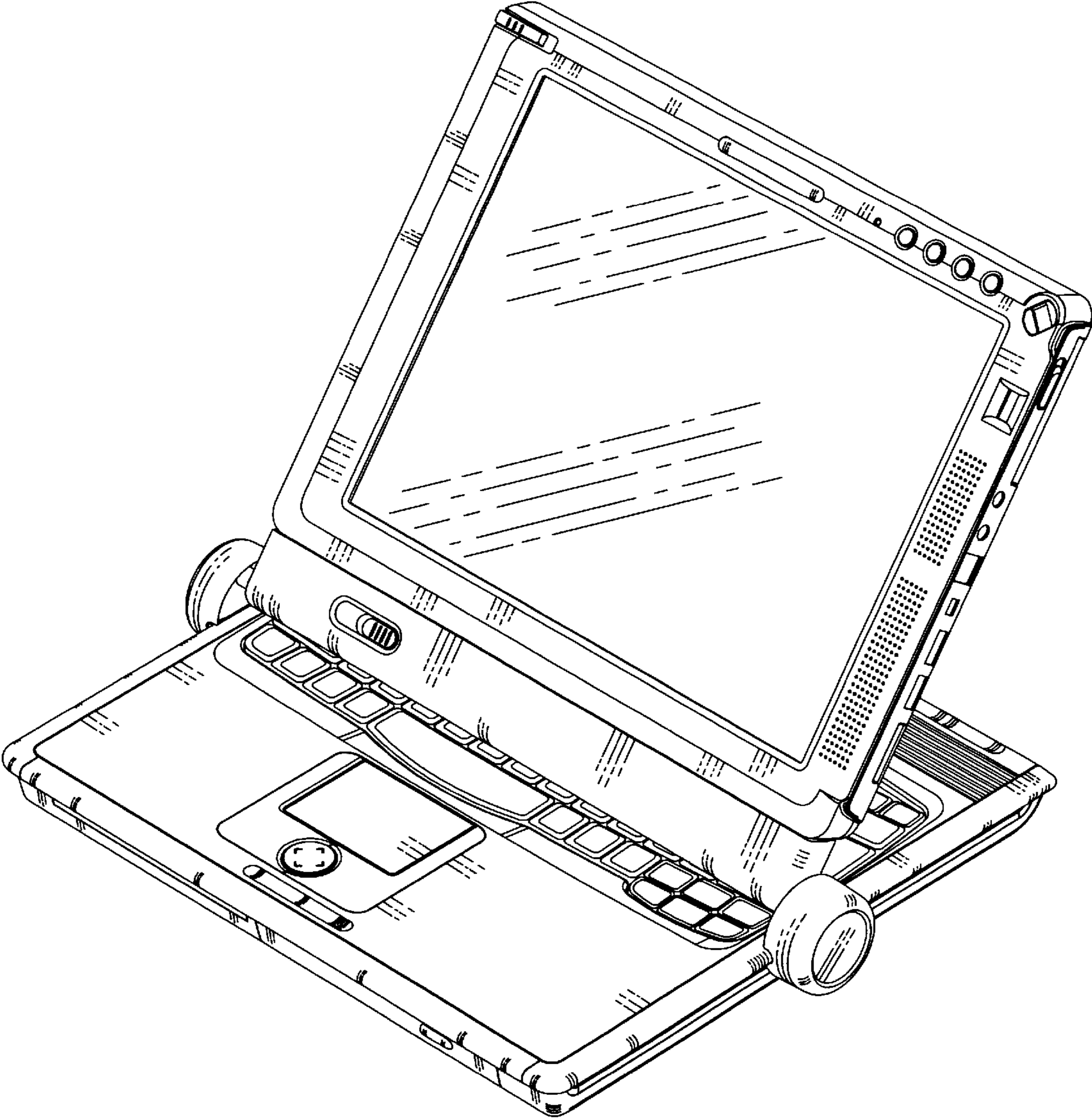


Fig. 7



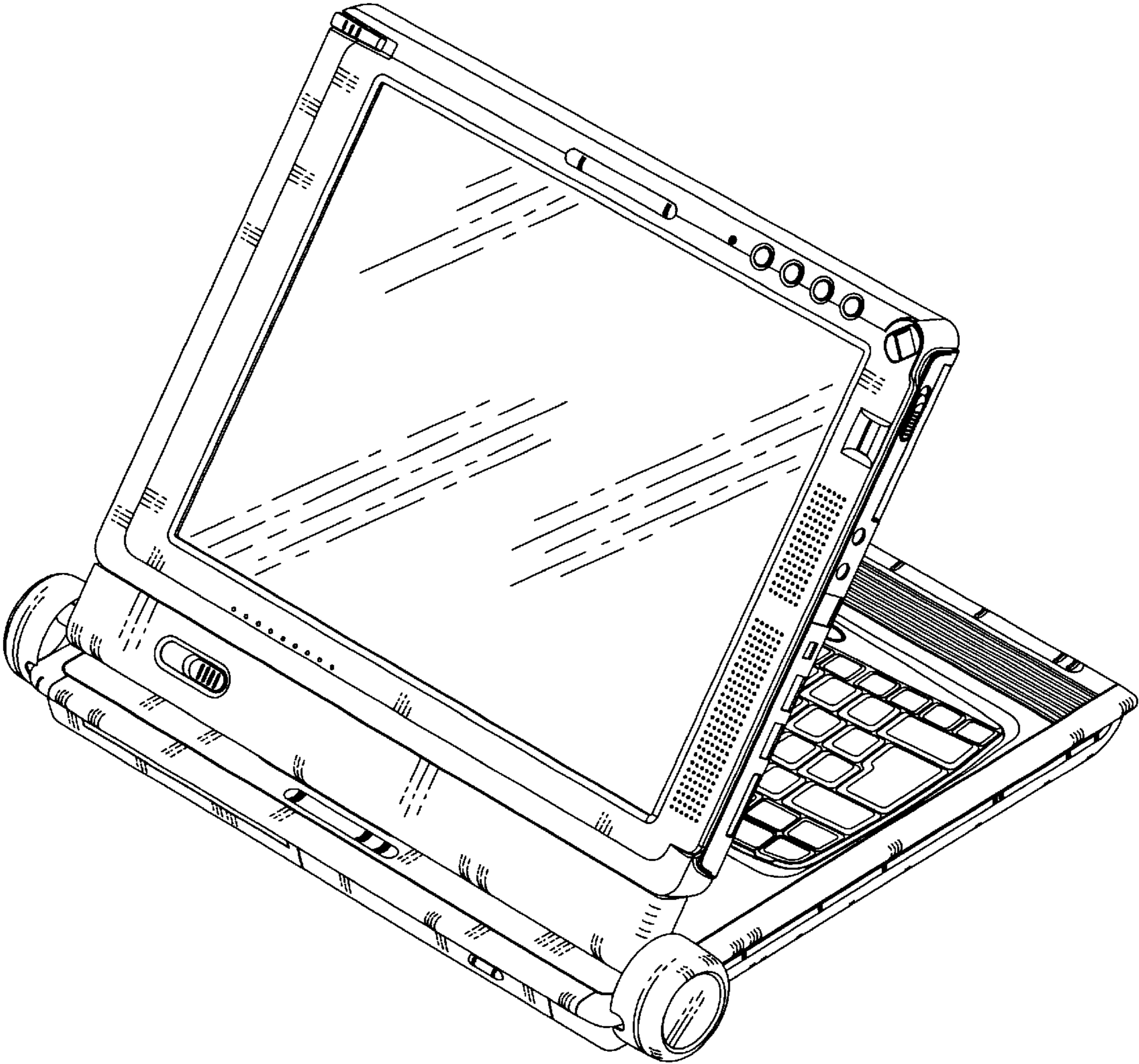


Fig. 8

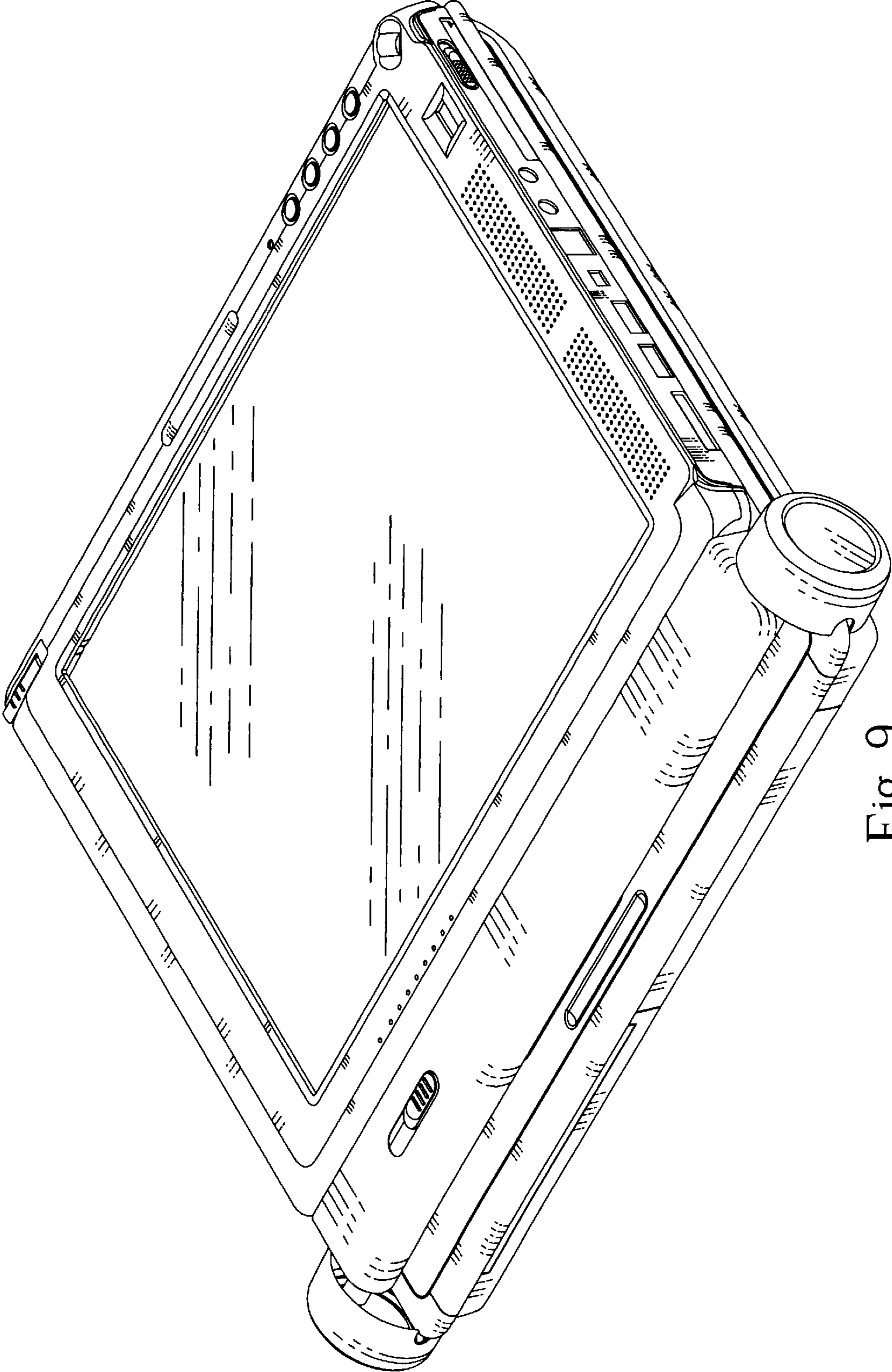


Fig. 9

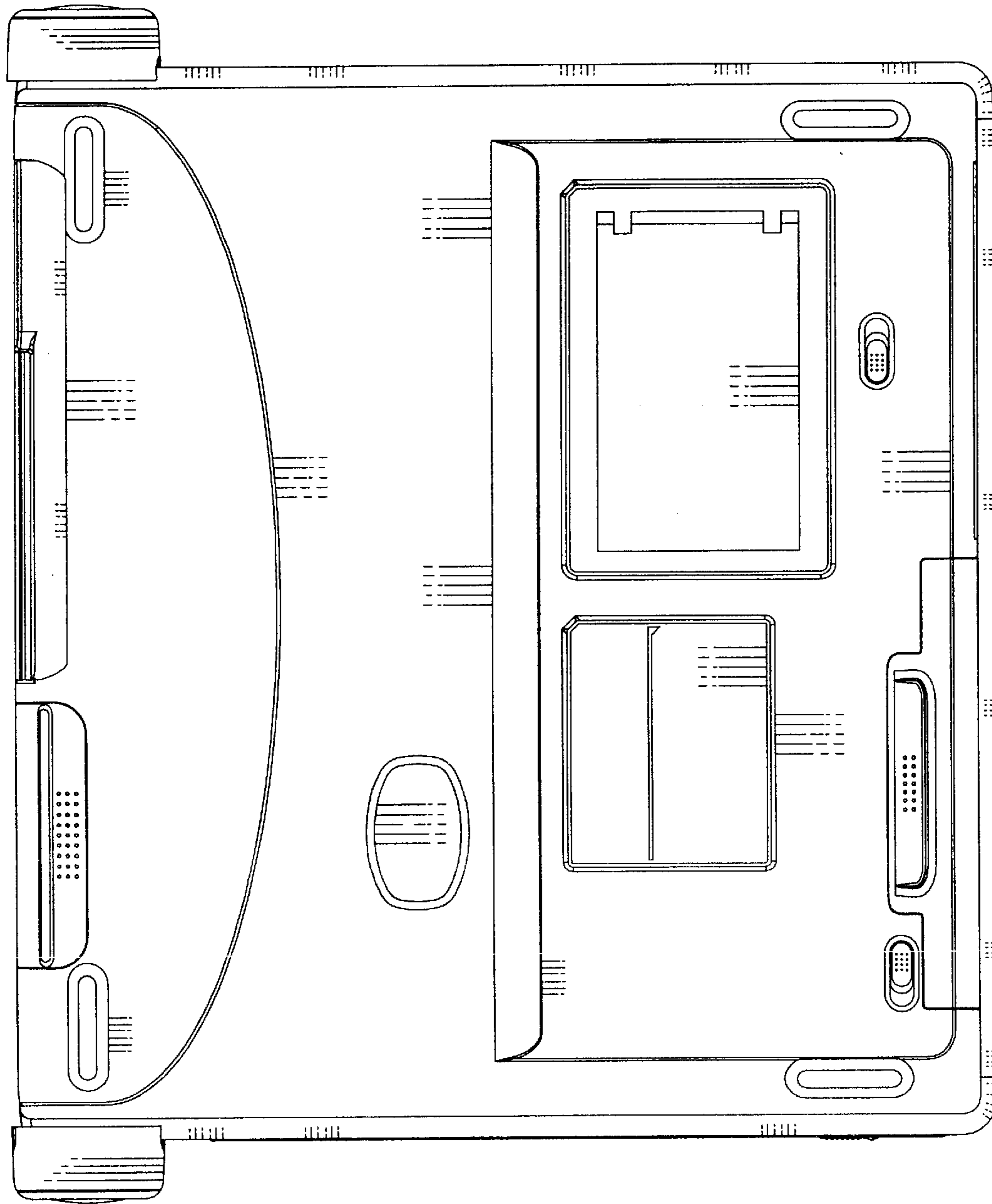


Fig. 10

UNITED STATES PATENT AND TRADEMARK OFFICE  
**CERTIFICATE OF CORRECTION**

PATENT NO. : Des. 517,541 S  
APPLICATION NO. : 29/213172  
DATED : March 21, 2006  
INVENTOR(S) : Maskatia, Arif

Page 1 of 1

It is certified that error appears in the above-identified patent and that said Letters Patent is hereby corrected as shown below:

The title page, Item no. (54), Please delete "NOTEBOOK COMPUTER" and insert -- NOTEBOOK--.

Signed and Sealed this

Fifteenth Day of August, 2006

A handwritten signature in black ink on a dotted background. The signature reads "Jon W. Dudas" in a cursive style.

JON W. DUDAS

*Director of the United States Patent and Trademark Office*