



US00D517539S

(12) **United States Design Patent**  
**Jones**

(10) **Patent No.:** **US D517,539 S**  
(45) **Date of Patent:** **\*\* Mar. 21, 2006**

(54) **CD RADIO**

(75) **Inventor:** **Mark Jones**, Long Beach, CA (US)

(73) **Assignee:** **Magnadyne Corporation**, Compton, CA (US)

(\*\*) **Term:** **14 Years**

(21) **Appl. No.:** **29/215,368**

(22) **Filed:** **Oct. 18, 2004**

(51) **LOC (8) Cl.** ..... **14-03**

(52) **U.S. Cl.** ..... **D14/258**

(58) **Field of Classification Search** ..... D14/258,  
D14/257, 224, 217, 192, 188, 168, 167, 165,  
D14/164, 163, 162, 161, 160, 156, 154, 136,  
D14/135; 720/691, 658; 704/270; 455/350,  
455/347, 344, 575.1; 396/434, 93; 386/1;  
369/93, 75.1; 360/47, 4; 359/550

See application file for complete search history.

(56) **References Cited**

**U.S. PATENT DOCUMENTS**

D332,452 S \* 1/1993 Shirai ..... D14/258  
D351,167 S 10/1994 Yun

D364,878 S \* 12/1995 Green et al. .... D14/258  
D373,128 S \* 8/1996 Magic et al. .... D14/258  
D391,259 S \* 2/1998 Ito et al. .... D14/188  
D391,958 S 3/1998 Miyazawa et al.  
5,852,594 A 12/1998 Kaise et al.  
D405,094 S \* 2/1999 Buckingham et al. .... D14/258  
D427,989 S \* 7/2000 Ito et al. .... D14/156  
D443,609 S \* 6/2001 Buckingham et al. .... D14/258  
D451,083 S 11/2001 Ito et al.  
D486,815 S 2/2004 Jones  
D492,939 S \* 7/2004 Mizokawa ..... D14/157

\* cited by examiner

*Primary Examiner*—Cathron C. Brooks

*Assistant Examiner*—Austin Murphy

(74) *Attorney, Agent, or Firm*—Brooks Kushman P.C.

(57) **CLAIM**

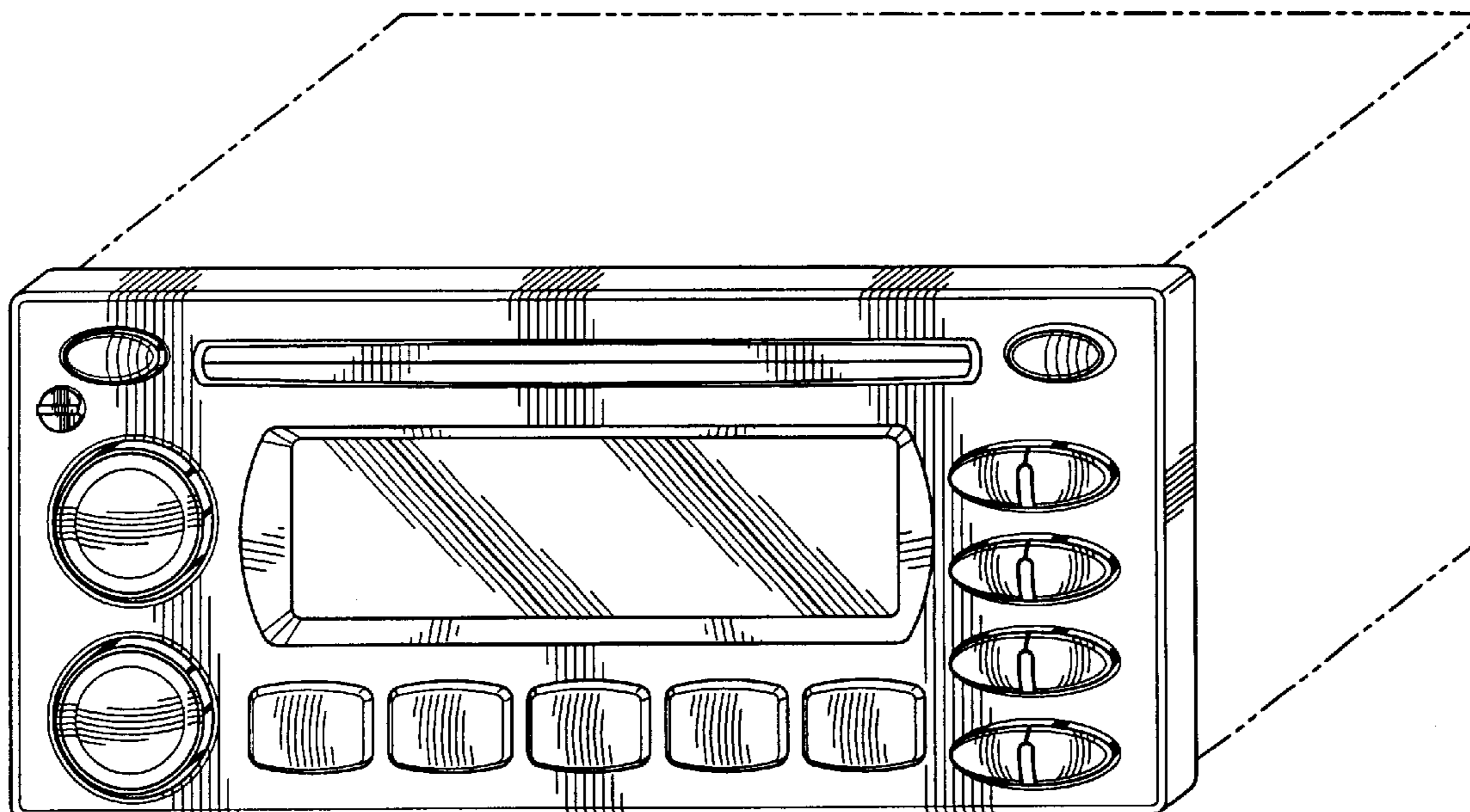
The ornamental design for a CD radio, as shown and described.

**DESCRIPTION**

FIG. 1 is a front perspective view of my new design; and, FIG. 2 is a front elevation view of my new design.

The broken lines are for illustrative purposes only and form no part of the claimed design.

**1 Claim, 1 Drawing Sheet**



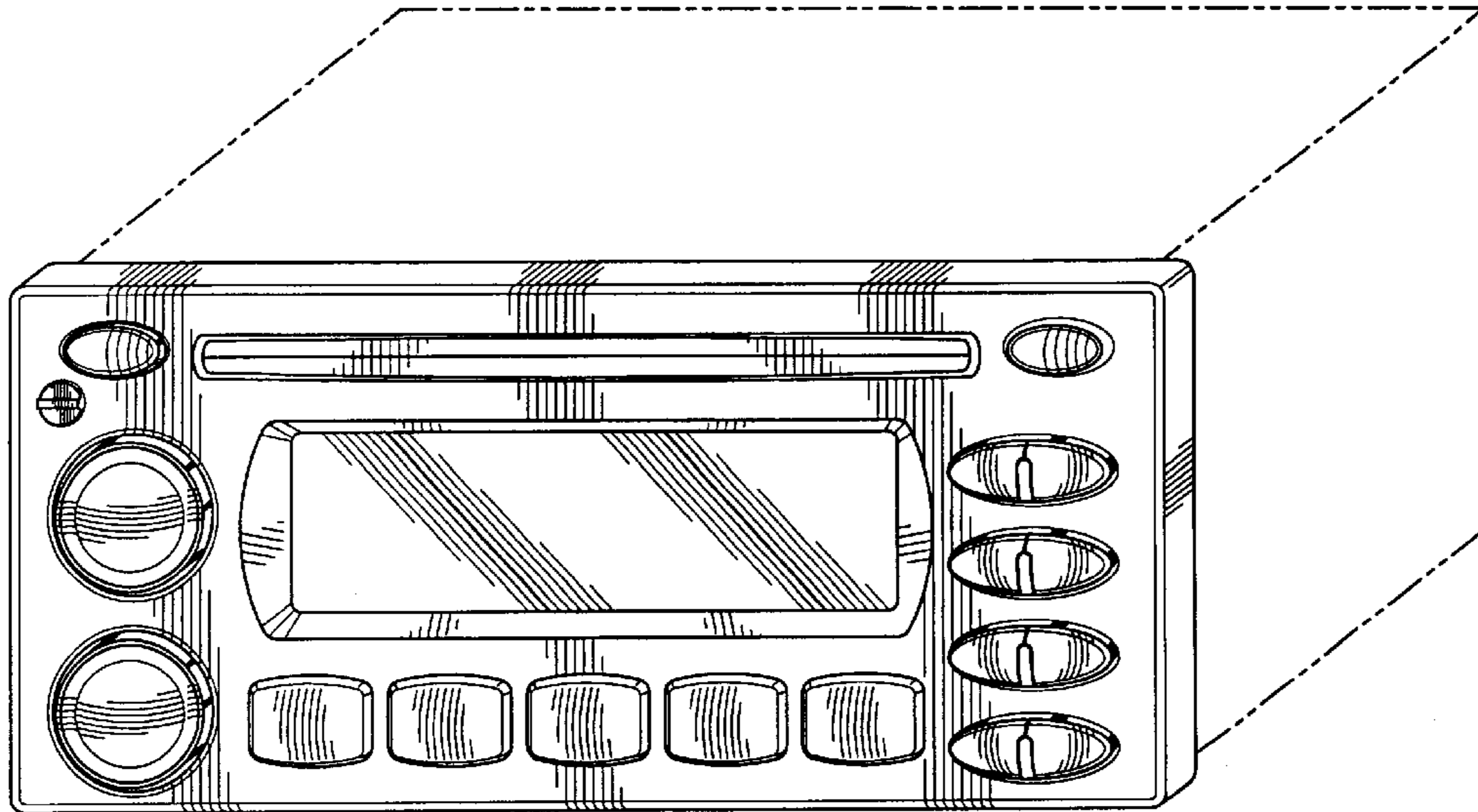


Fig-1

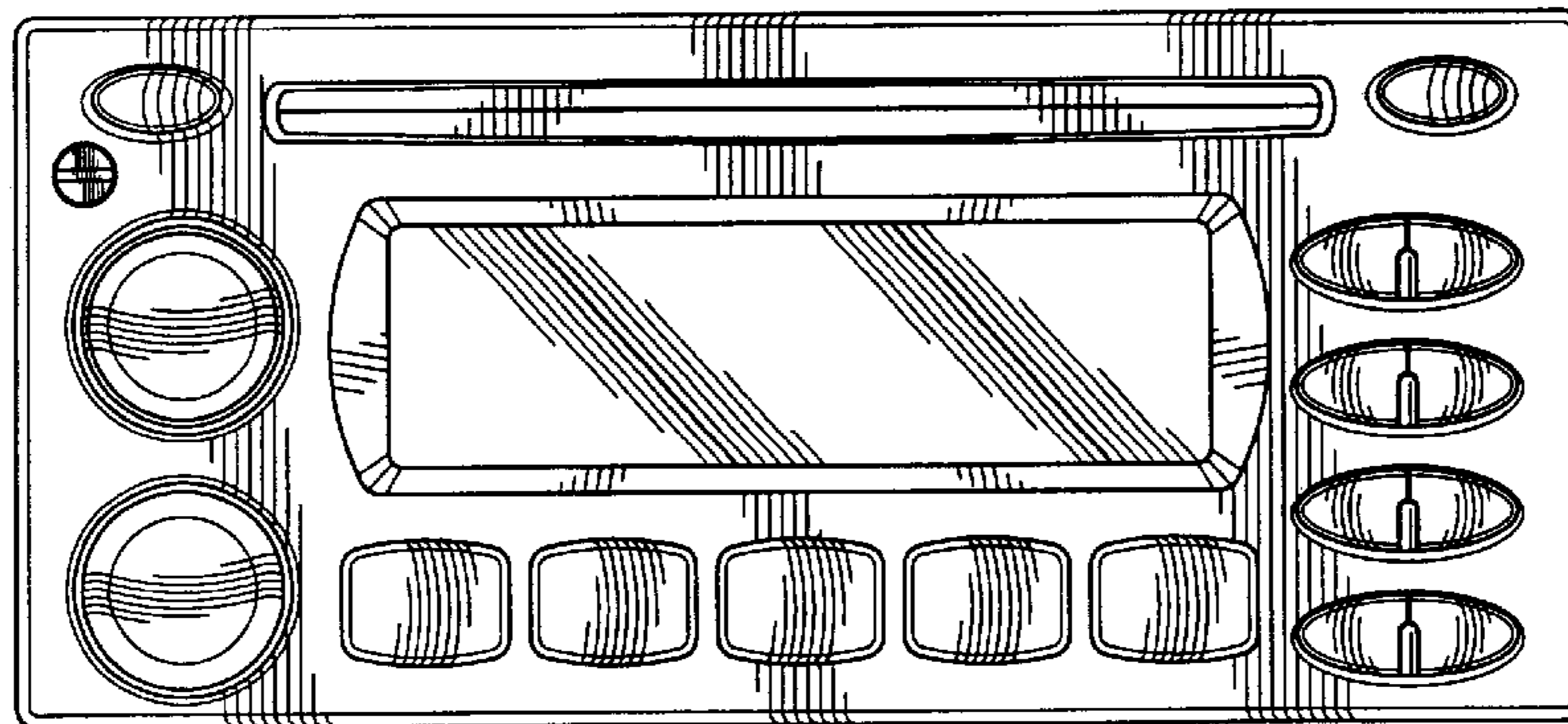


Fig-2