

US00D517538S

(12) **United States Design Patent**  
**Chen et al.**

(10) **Patent No.:** **US D517,538 S**  
(45) **Date of Patent:** **\*\* Mar. 21, 2006**

- (54) **CAR MULTI-MEDIA PLAYER**
- (75) Inventors: **Chang-Jung Chen**, Taipei (TW);  
**Chia-Chuan Lin**, Banchiau (TW)
- (73) Assignee: **Benq Corporation**, Taoyuan (TW)
- (\*\*) Term: **14 Years**
- (21) Appl. No.: **29/205,528**
- (22) Filed: **May 17, 2004**
- (51) **LOC (8) Cl.** ..... **14-01**
- (52) **U.S. Cl.** ..... **D14/257**
- (58) **Field of Classification Search** ..... D14/445,  
D14/444, 450, 126, 443, 441, 258, 257, 240,  
D14/188, 137, 136; D13/184; D10/113, 65;  
455/90.2, 348, 347; 361/814; 340/430; 342/357.1;  
701/206, 209  
See application file for complete search history.

- D430,562 S \* 9/2000 Richards ..... D14/258
- D438,849 S \* 3/2001 Adachi et al. .... D14/126
- D443,255 S \* 6/2001 Lavelle et al. .... D14/126
- D444,146 S \* 6/2001 Weiland et al. .... D14/258
- D445,043 S \* 7/2001 Bendinelli ..... D10/65
- D449,049 S \* 10/2001 Seeley et al. .... D14/450
- D454,882 S \* 3/2002 Jung ..... D14/450
- D507,193 S \* 7/2005 Owaki et al. .... D10/65
- 2005/0187704 A1 \* 8/2005 Peters ..... 701/201

\* cited by examiner

*Primary Examiner*—Cathron C. Brooks

*Assistant Examiner*—Austin Murphy

(74) *Attorney, Agent, or Firm*—Thomas, Kayden,  
Horstemeyer & Risley

(57) **CLAIM**

The ornamental design for a car multi-media player, as shown and described.

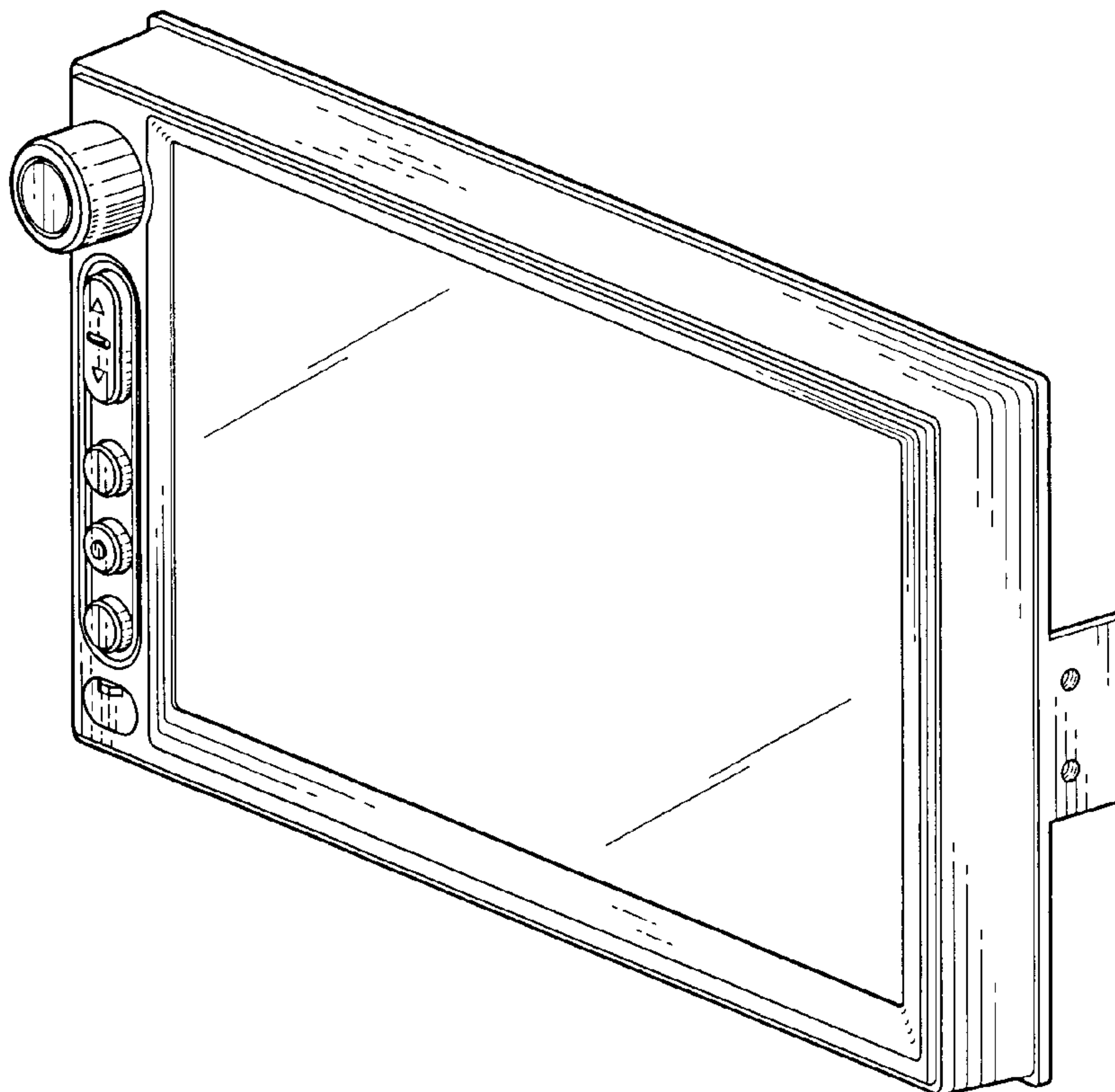
**DESCRIPTION**

FIG. 1 is a perspective view thereof;  
FIG. 2 is a front elevational view thereof;  
FIG. 3 is a rear elevational view thereof;  
FIG. 4 is a left side elevational view thereof;  
FIG. 5 is a right side elevational view thereof;  
FIG. 6 is a top plane view thereof; and,  
FIG. 7 is a bottom plane view thereof.

**1 Claim, 5 Drawing Sheets**

(56) **References Cited**  
**U.S. PATENT DOCUMENTS**

- D291,086 S \* 7/1987 Price ..... D14/450
- D366,220 S \* 1/1996 Sakamoto ..... D10/65
- D389,757 S \* 1/1998 Nishimura et al. .... D10/65
- D417,456 S \* 12/1999 Kulla ..... D14/258
- D427,591 S \* 7/2000 Burghoff et al. .... D14/258
- D430,048 S \* 8/2000 Hoofnagle et al. .... D10/78



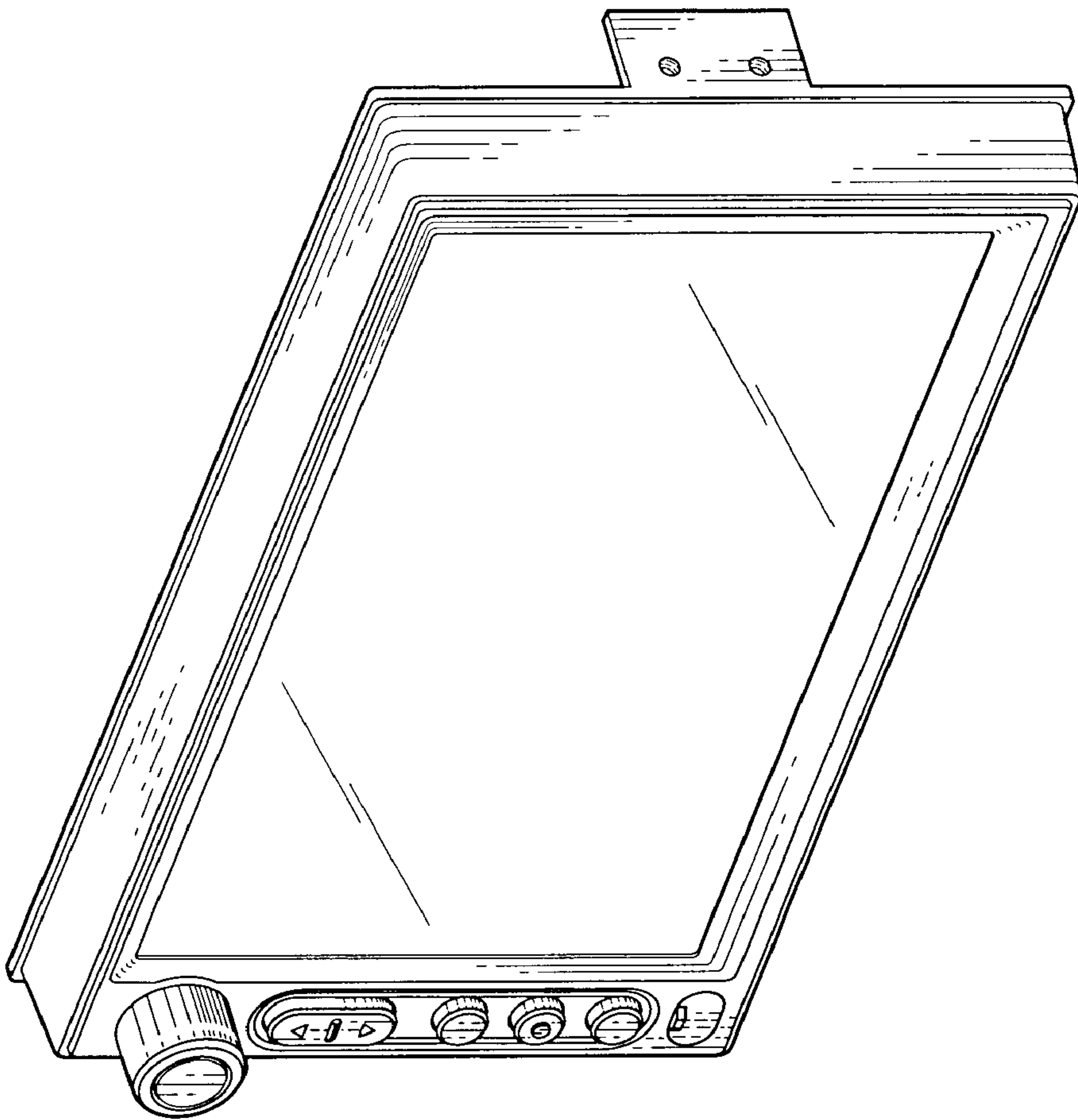


FIG. 1

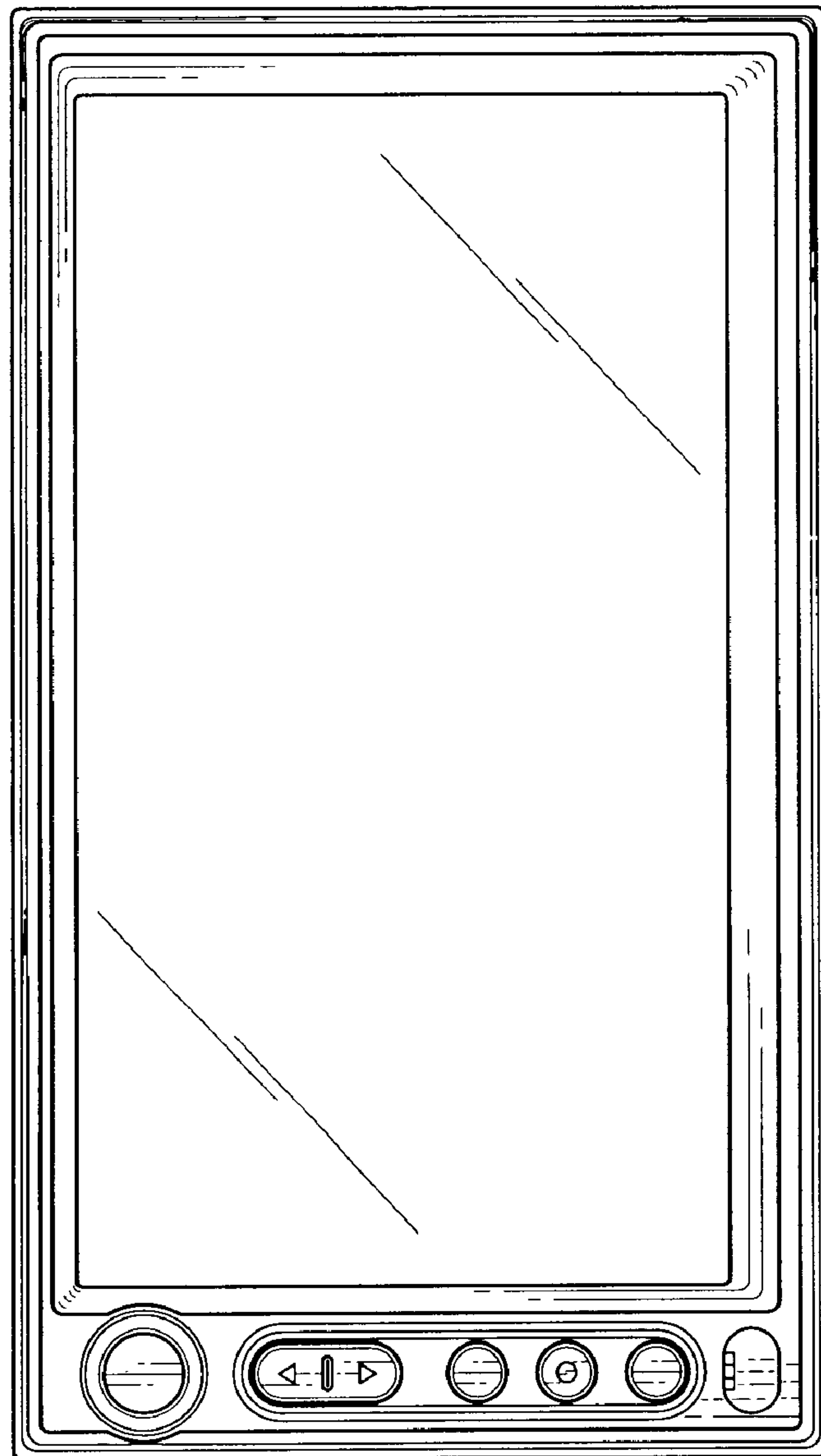


FIG. 2



FIG. 3

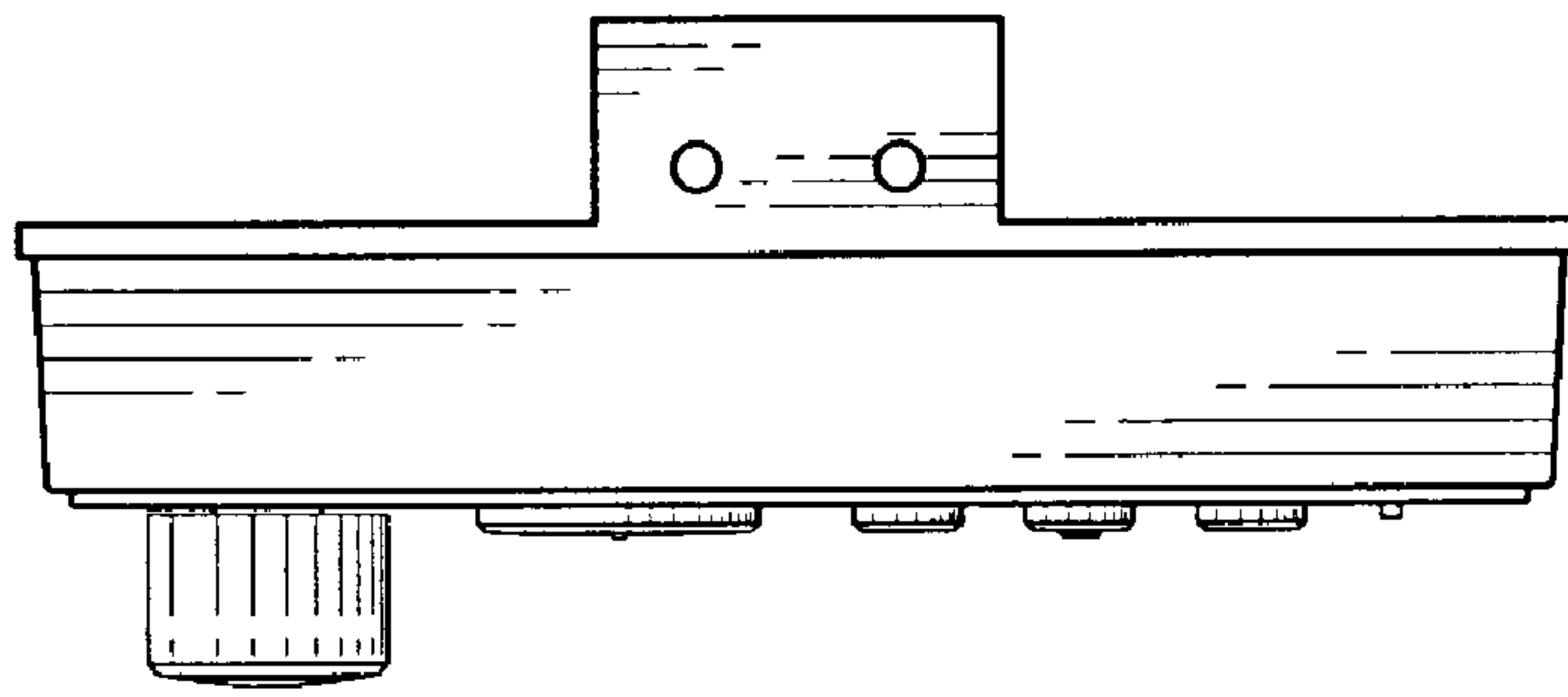


FIG. 5

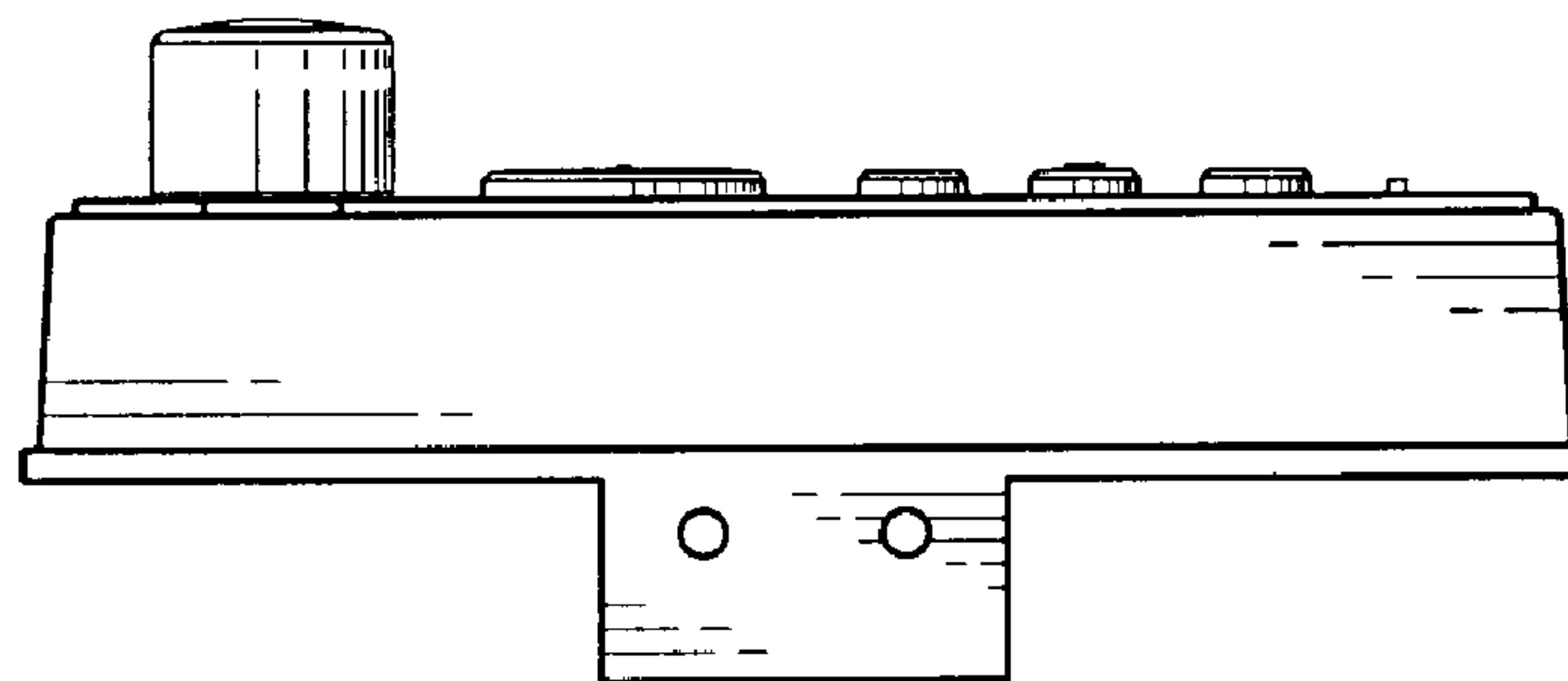


FIG. 4

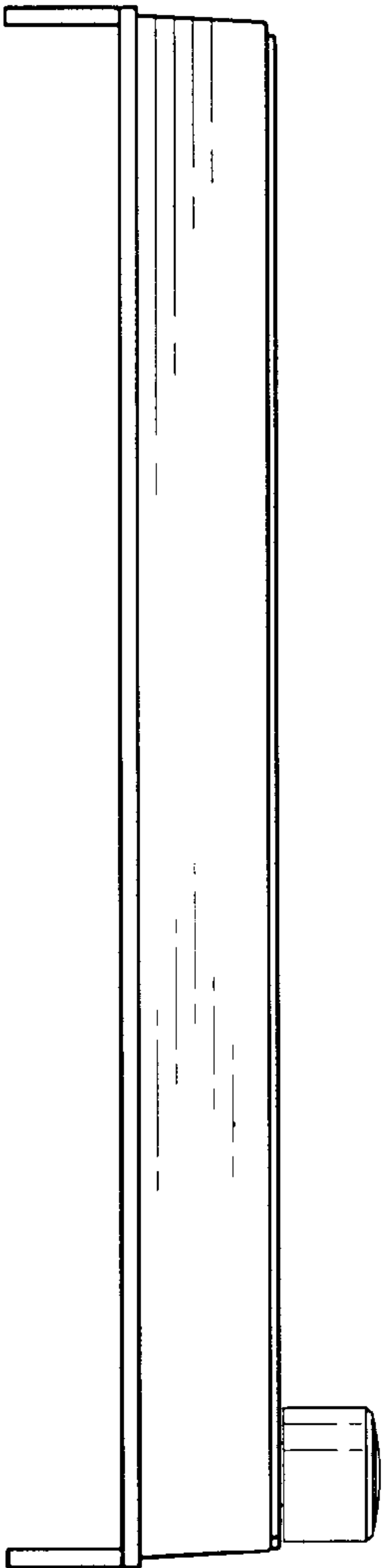


FIG. 6

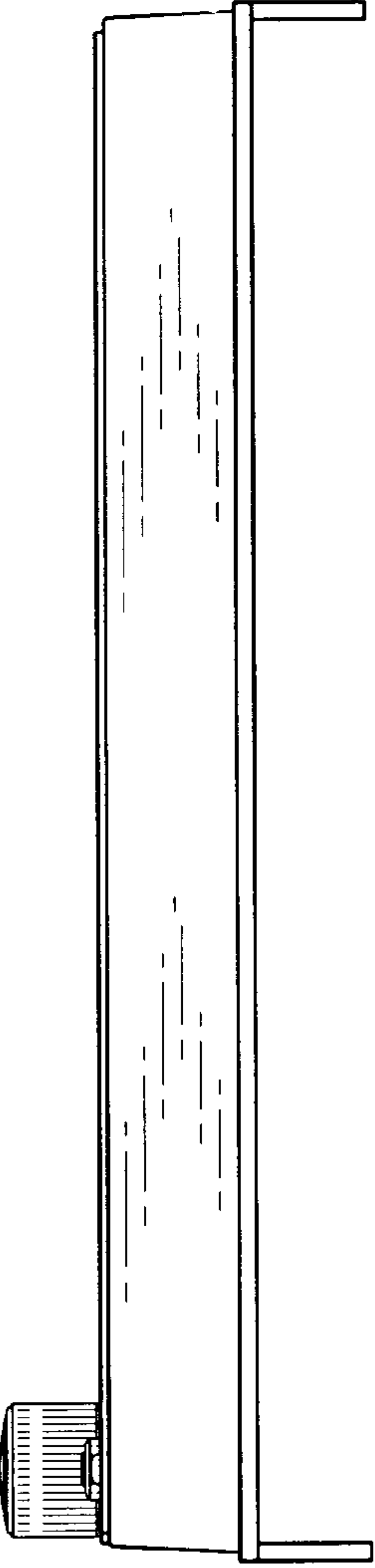


FIG. 7