



US00D517537S

(12) **United States Design Patent**
Wang

(10) **Patent No.:** **US D517,537 S**
(45) **Date of Patent:** **** Mar. 21, 2006**

(54) **INDOOR ANTENNA**
(75) **Inventor:** **Cheng-Si Wang**, Changhua Hsien (TW)
(73) **Assignee:** **Trans Electric Co., Ltd.**, Changhua Hsien (TW)

D438,533 S * 3/2001 Arpe D14/240
D483,746 S * 12/2003 Hyogo D14/240
D489,369 S * 5/2004 Sasaki D14/358
D501,643 S * 2/2005 Strand et al. D10/104

(**) **Term:** **14 Years**

* cited by examiner

(21) **Appl. No.:** **29/228,663**

Primary Examiner—Louis S. Zarfes

(22) **Filed:** **Apr. 27, 2005**

Assistant Examiner—John Windmuller

(51) **LOC (8) Cl.** **14-03**

(74) *Attorney, Agent, or Firm*—Rosenberg, Klein & Lee

(52) **U.S. Cl.** **D14/230**

(58) **Field of Classification Search** D14/137,
D14/138, 230–238, 299, 358; D12/42, 43;
343/700 R–705, 871–908, 795, 840, 711–713,
343/819, 846; 455/90.2, 90.3, 91, 128, 269,
455/344, 347, 562.1

(57) **CLAIM**

The ornamental design for an indoor antenna, as shown.

See application file for complete search history.

DESCRIPTION

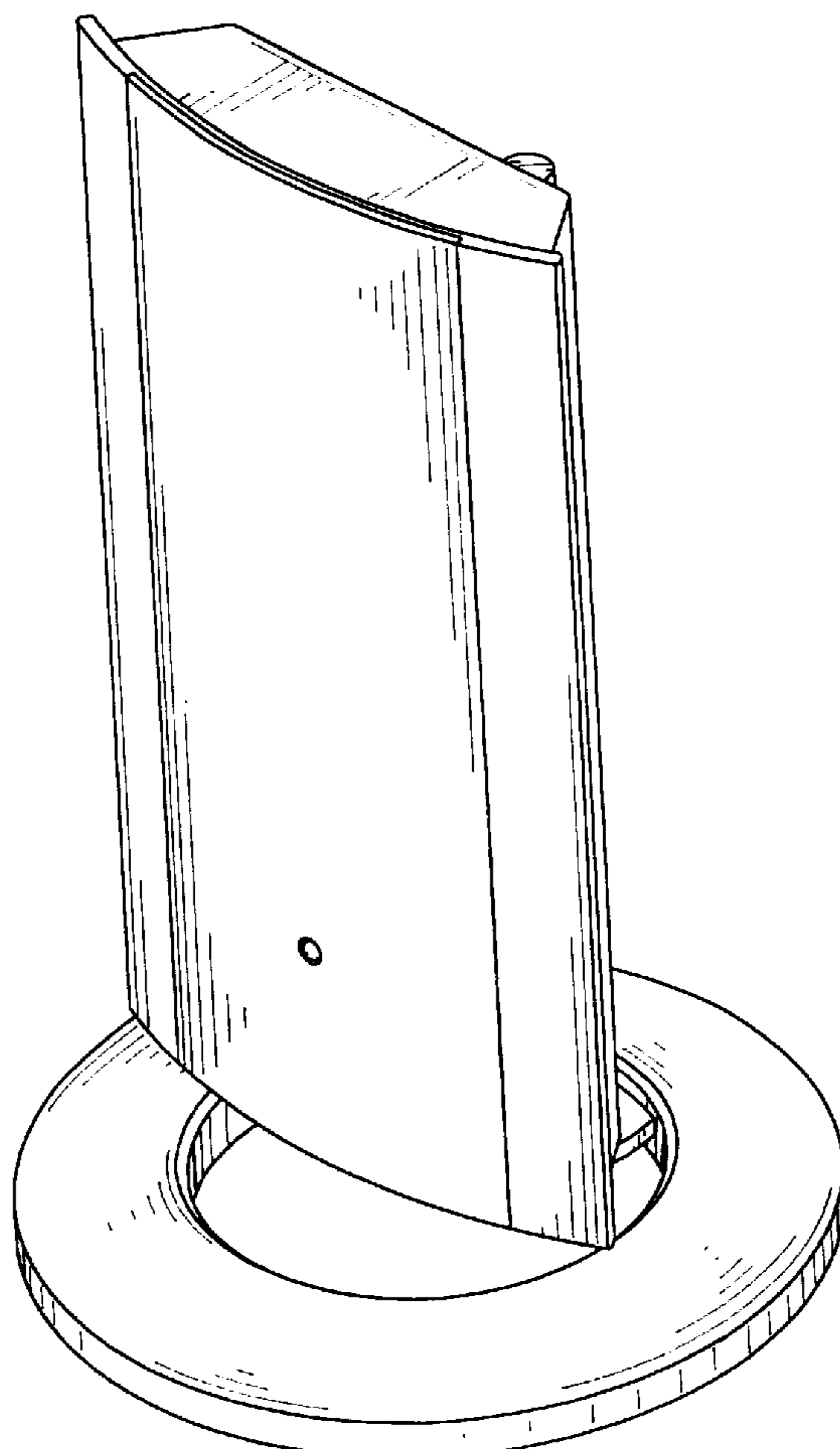
(56) **References Cited**

U.S. PATENT DOCUMENTS

D356,572 S * 3/1995 Prince D14/230
D369,149 S * 4/1996 Chang et al. D14/357

FIG. 1 is a front perspective view of an indoor antenna showing my new design;
FIG. 2 is a front elevational view thereof;
FIG. 3 is a rear elevational view thereof;
FIG. 4 is a left side elevational view thereof;
FIG. 5 is a right side elevational view thereof;
FIG. 6 is a top plan view thereof;
FIG. 7 is a bottom plan view thereof; and,
FIG. 8 is a front perspective view thereof showing an alternate position of use.

1 Claim, 7 Drawing Sheets



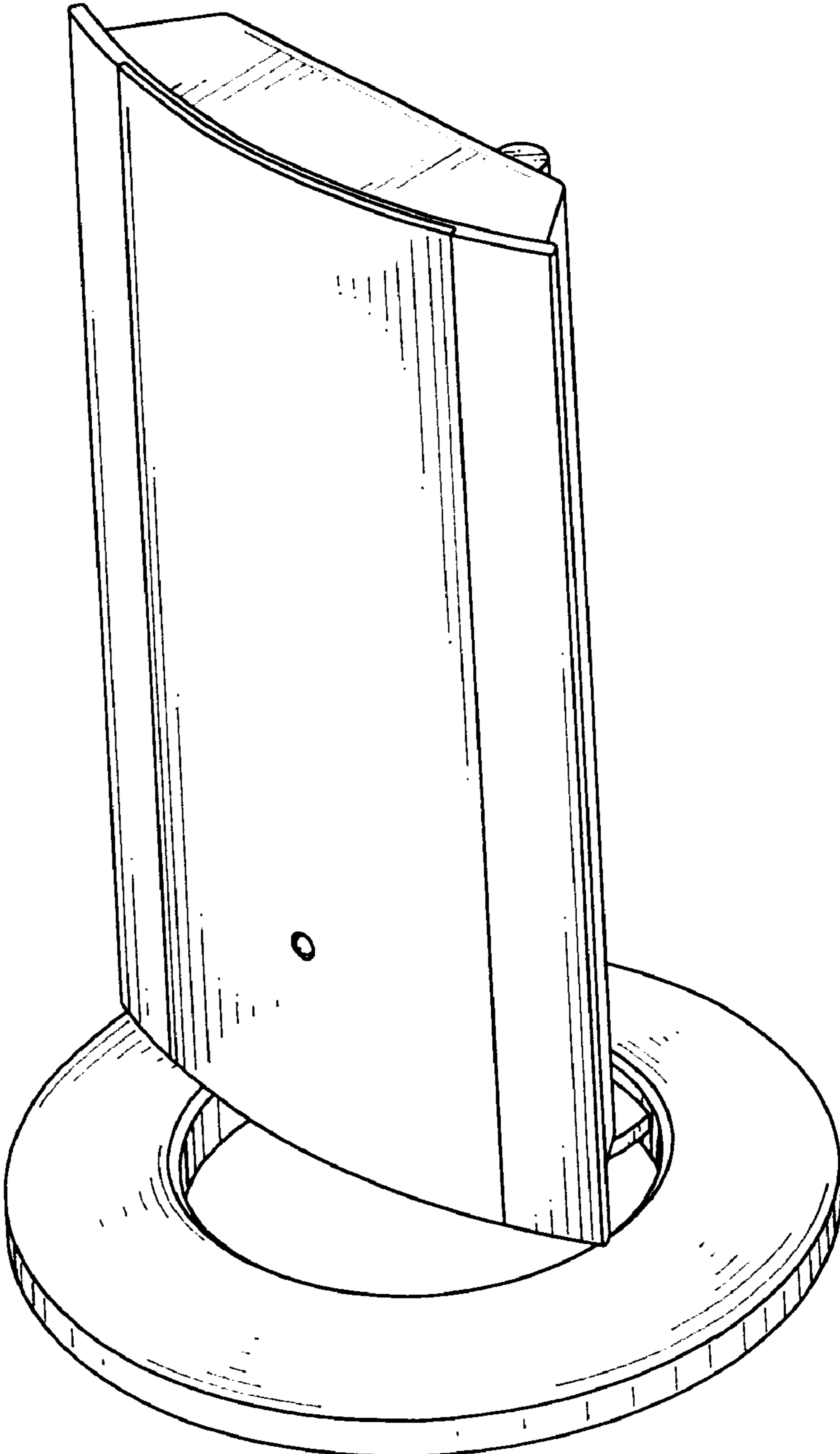


FIG. 1

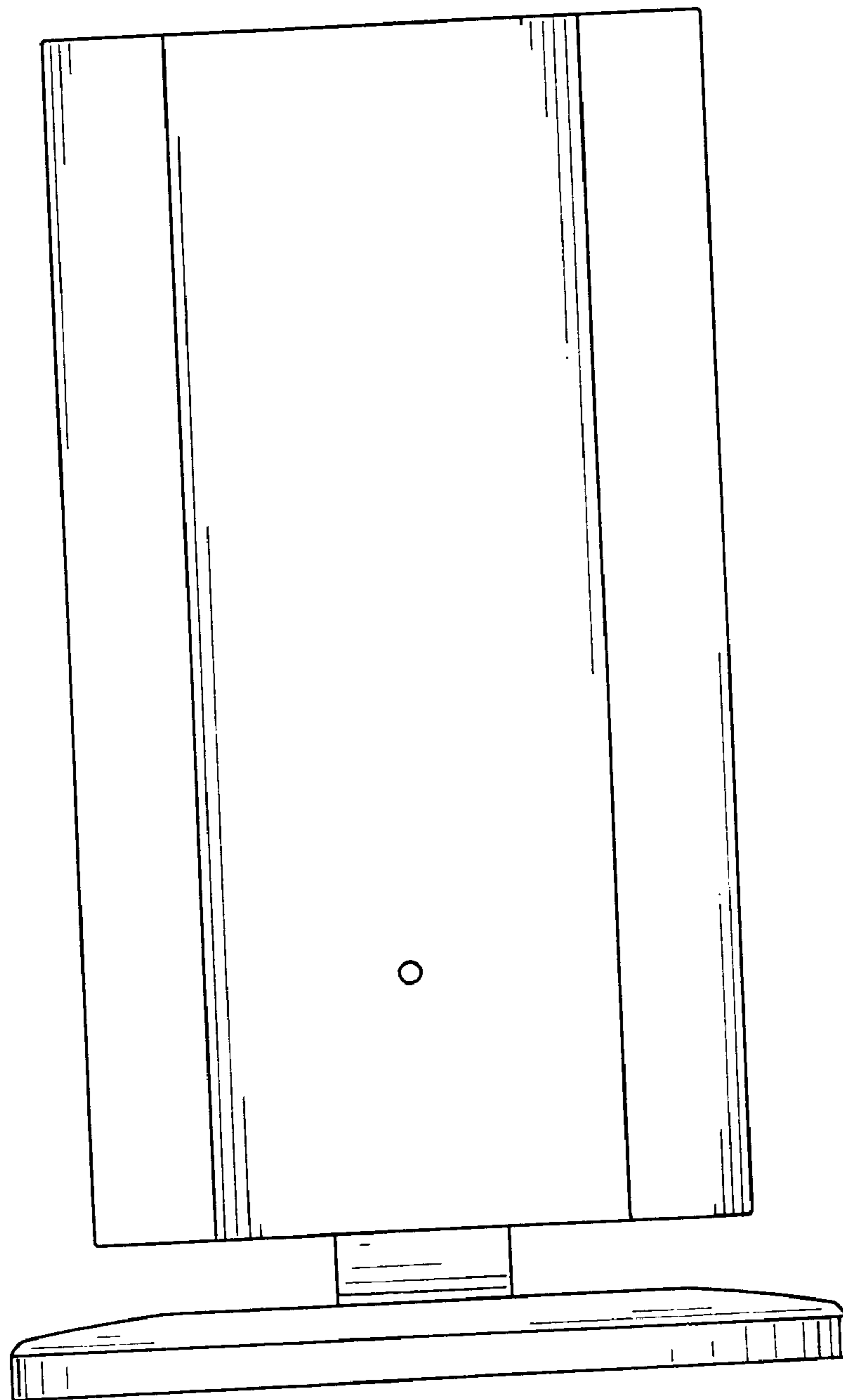


FIG.2

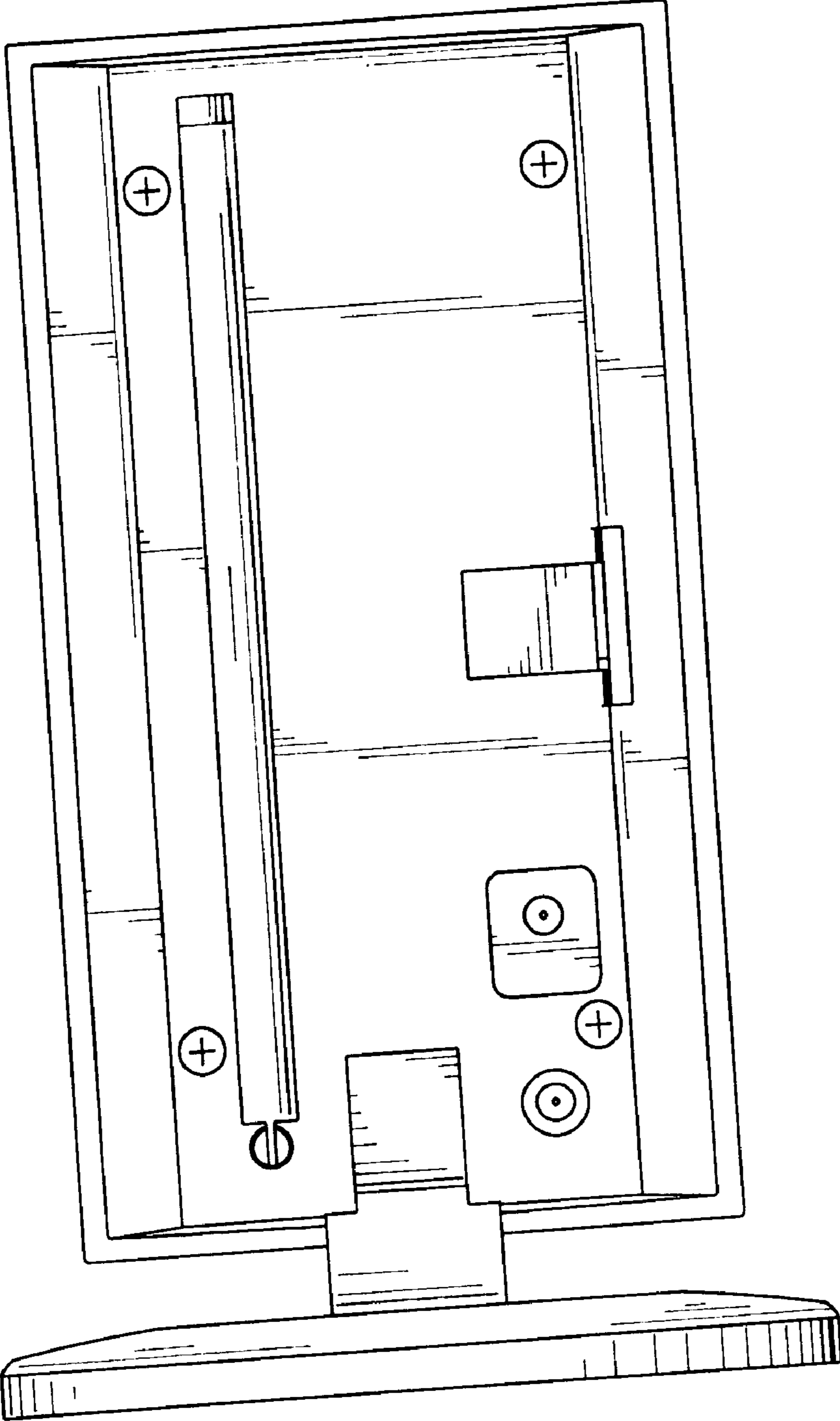


FIG.3

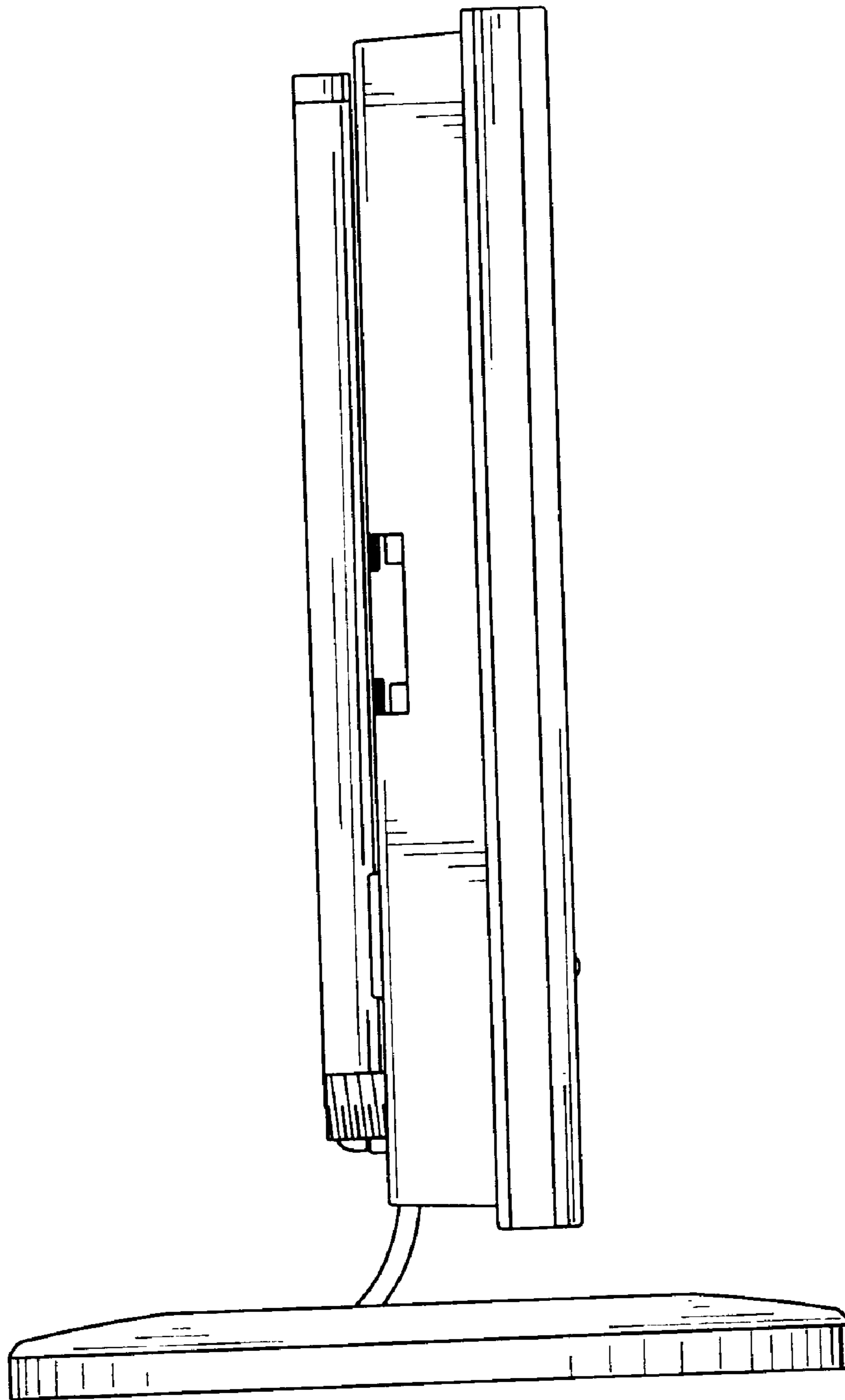


FIG.4

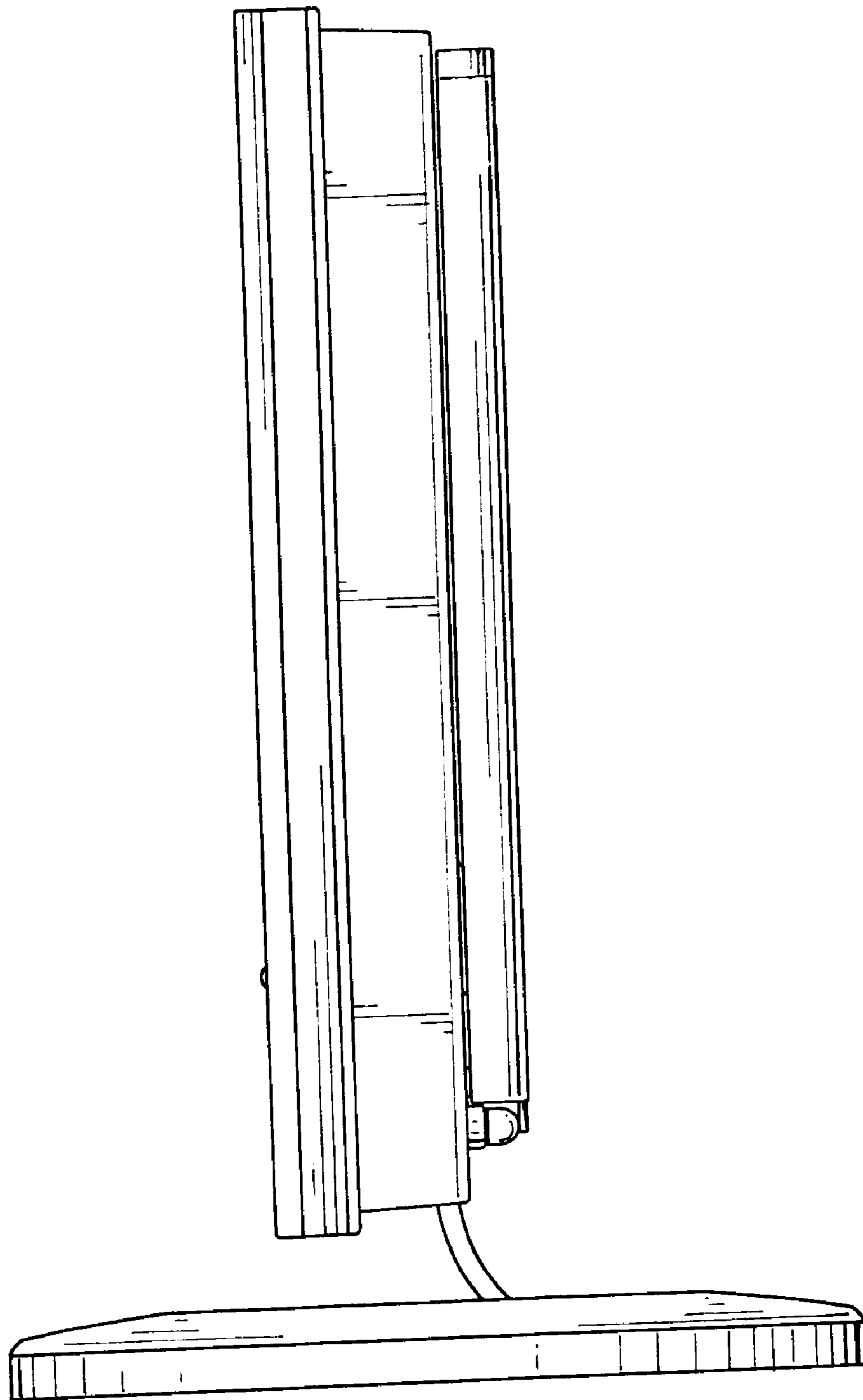


FIG. 5

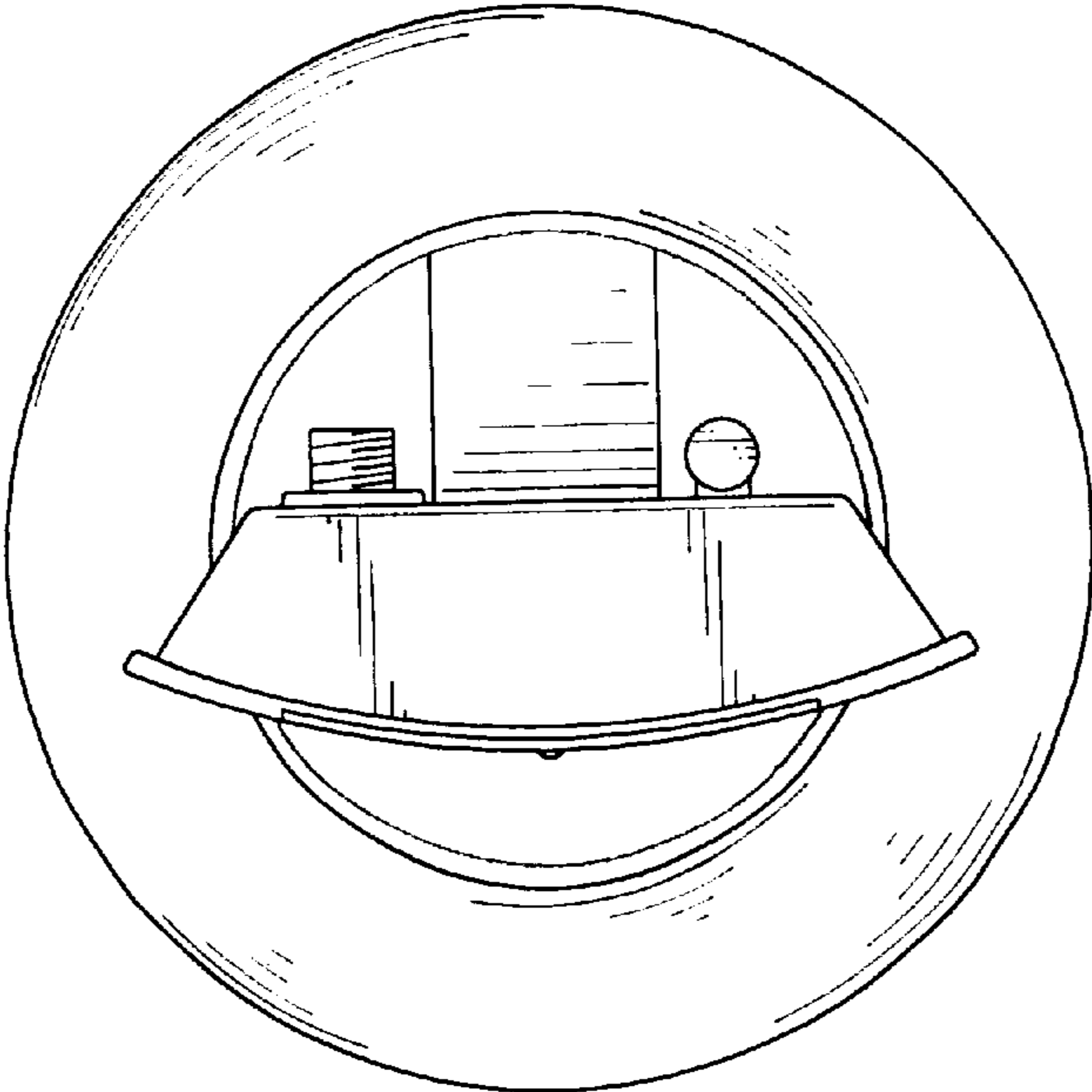


FIG. 6

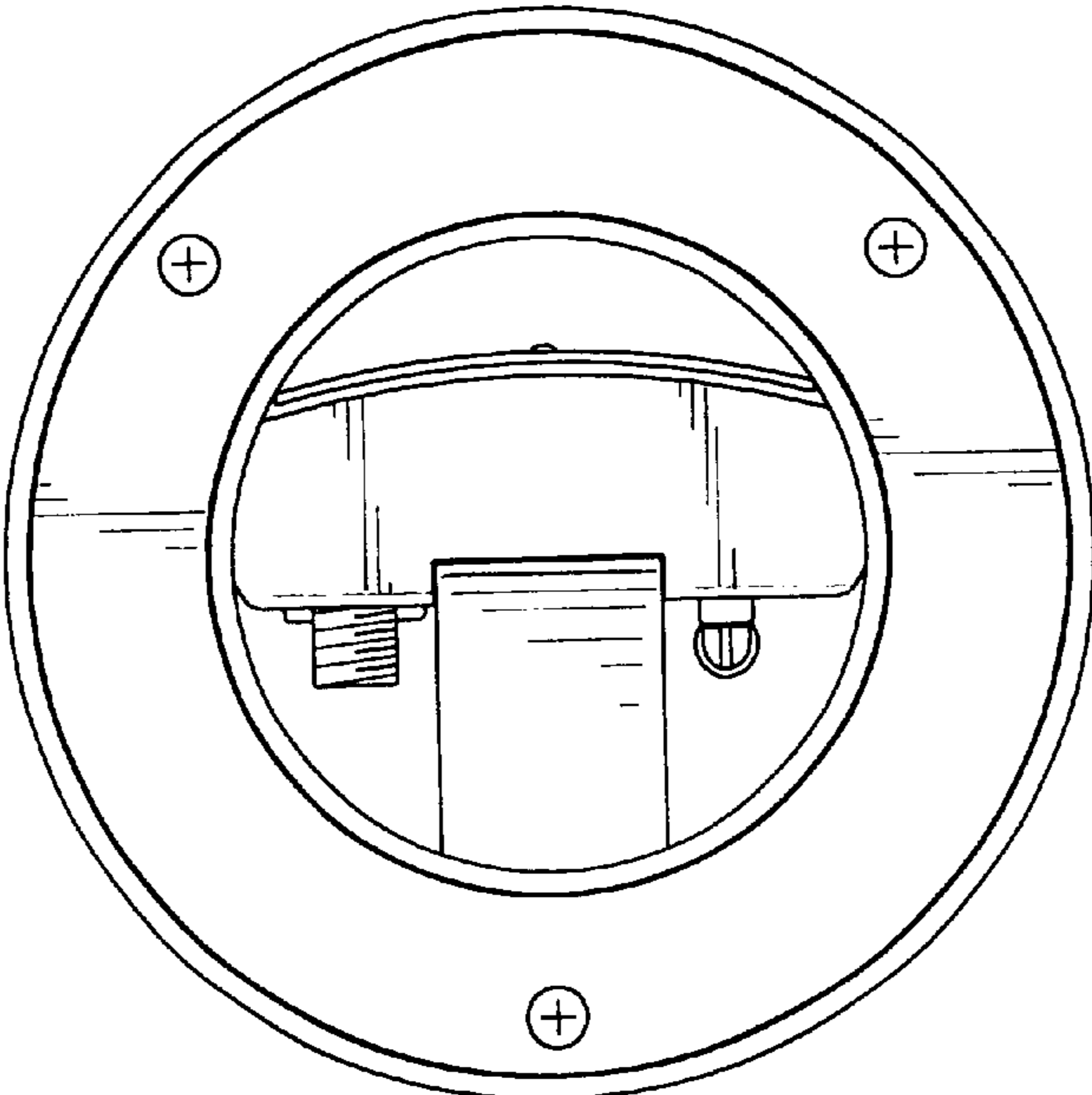


FIG. 7

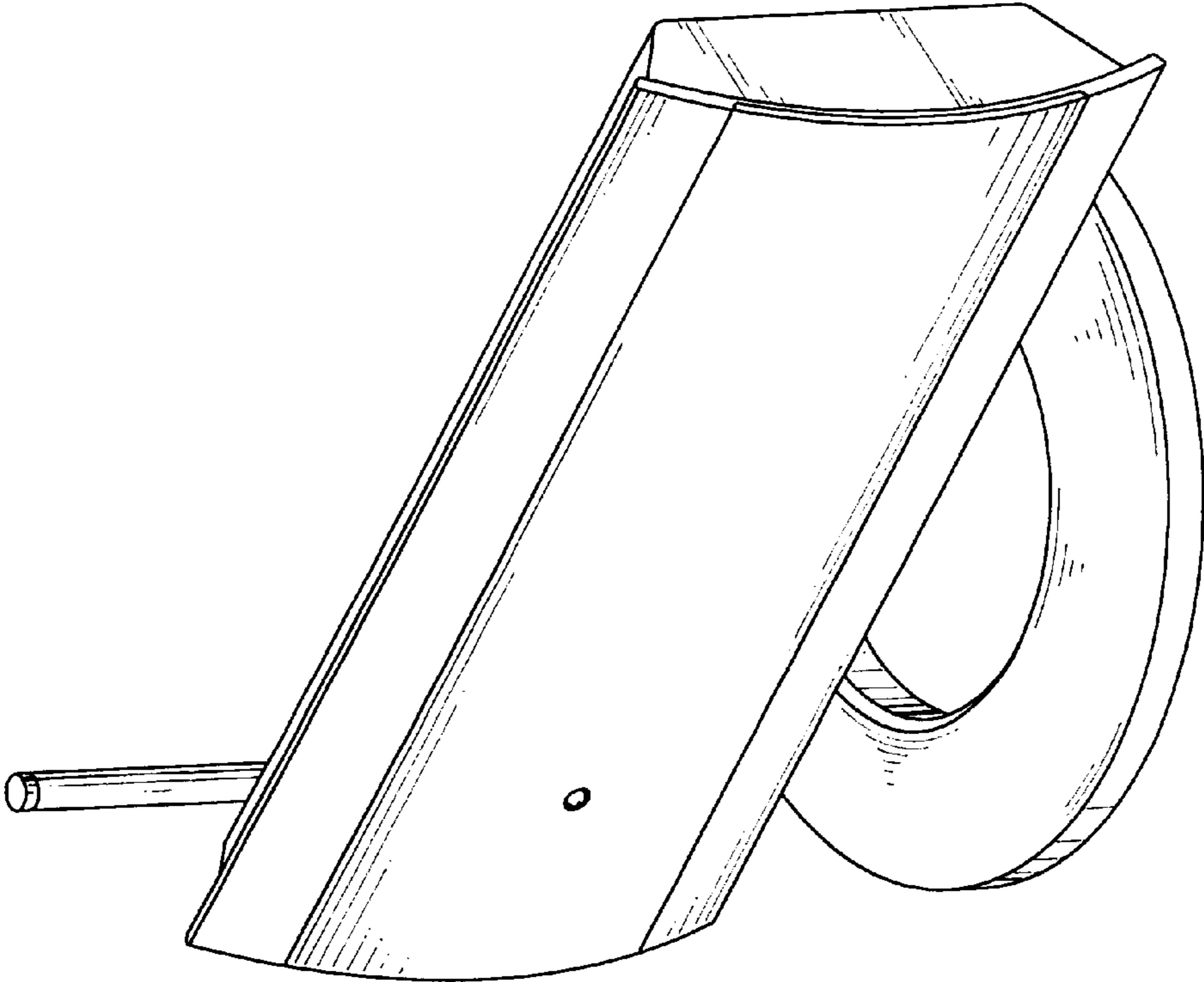


FIG.8