



US00D517535S

(12) **United States Design Patent**
Wu

(10) **Patent No.:** **US D517,535 S**

(45) **Date of Patent:** **** Mar. 21, 2006**

(54) **INDOOR ANTENNA**

(75) **Inventor:** **Ming-Tsen Wu**, Guang Dong (CN)

(73) **Assignee:** **Jesmay Electronics Co., Ltd.**, Quarry Bay (HK)

(**) **Term:** **14 Years**

(21) **Appl. No.:** **29/217,003**

(22) **Filed:** **Nov. 12, 2004**

(51) **LOC (8) Cl.** **14-03**

(52) **U.S. Cl.** **D14/230; D14/235**

(58) **Field of Classification Search** D14/137,
D14/138, 230-238, 299, 358; D12/42, 43;
343/700 R-705, 871-908, 795, 840, 711-713,
343/819, 846; 455/90.2, 90.3, 91, 128, 269,
455/344, 347, 562.1

See application file for complete search history.

(56) **References Cited**

U.S. PATENT DOCUMENTS

D176,368 S * 12/1955 Middlemark D14/235

D308,204 S * 5/1990 Takizawa D14/235
D332,262 S * 1/1993 Borchardt D14/230
D345,564 S * 3/1994 Kadono et al. D14/230
D489,720 S * 5/2004 Sasaki D14/358

* cited by examiner

Primary Examiner—Louis S. Zarfes

Assistant Examiner—John Windmuller

(74) *Attorney, Agent, or Firm*—Rosenberg, Klein & Lee

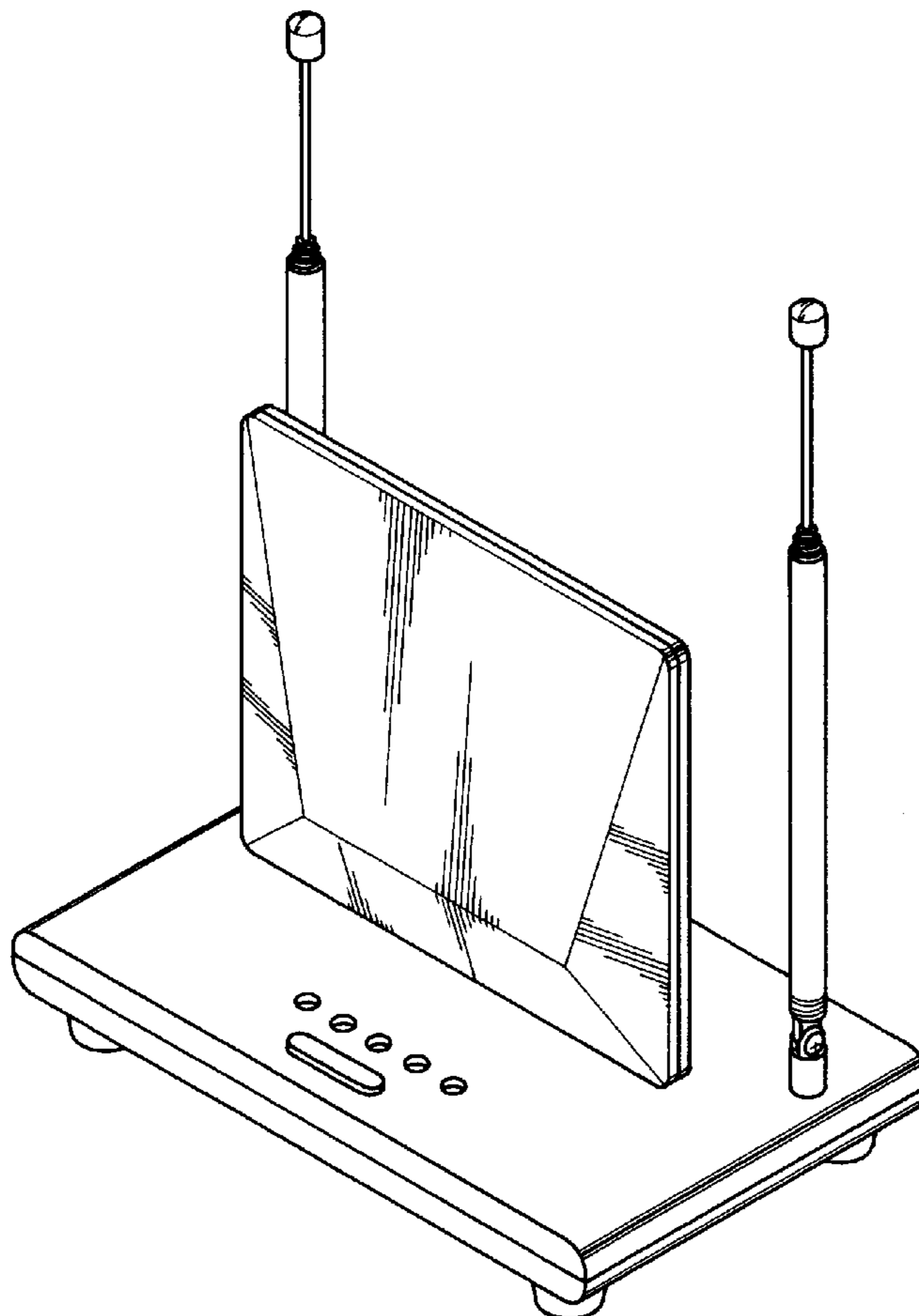
(57) **CLAIM**

The ornamental design for an indoor antenna, as shown and described.

DESCRIPTION

FIG. 1 is a perspective view of an indoor antenna showing my new design;
FIG. 2 is a front elevational view thereof;
FIG. 3 is a rear elevational view thereof;
FIG. 4 is a left side elevational view thereof;
FIG. 5 is a right side elevational view thereof;
FIG. 6 is a top plan view thereof; and,
FIG. 7 is a bottom plan view thereof.

1 Claim, 4 Drawing Sheets



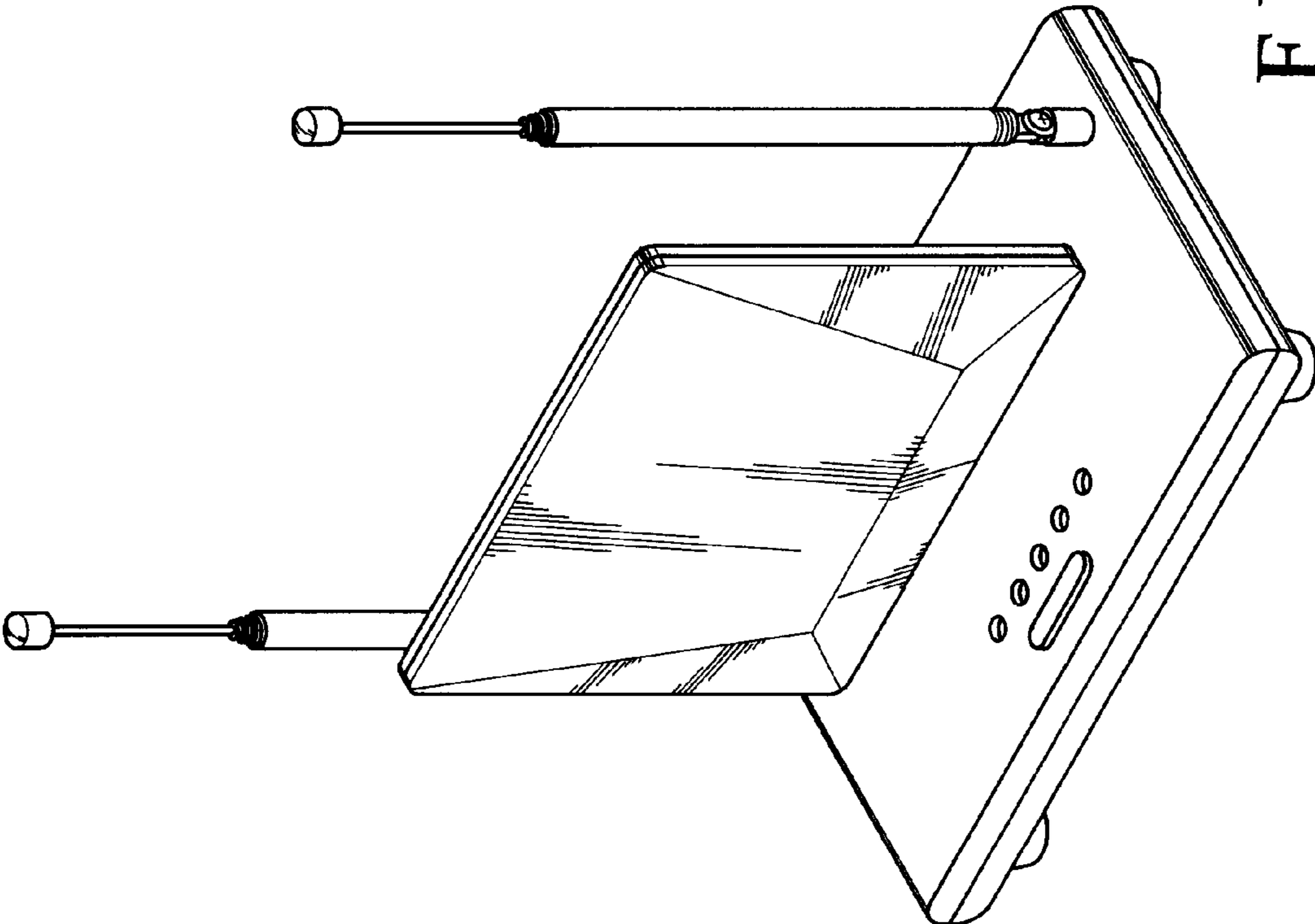


FIG. 1

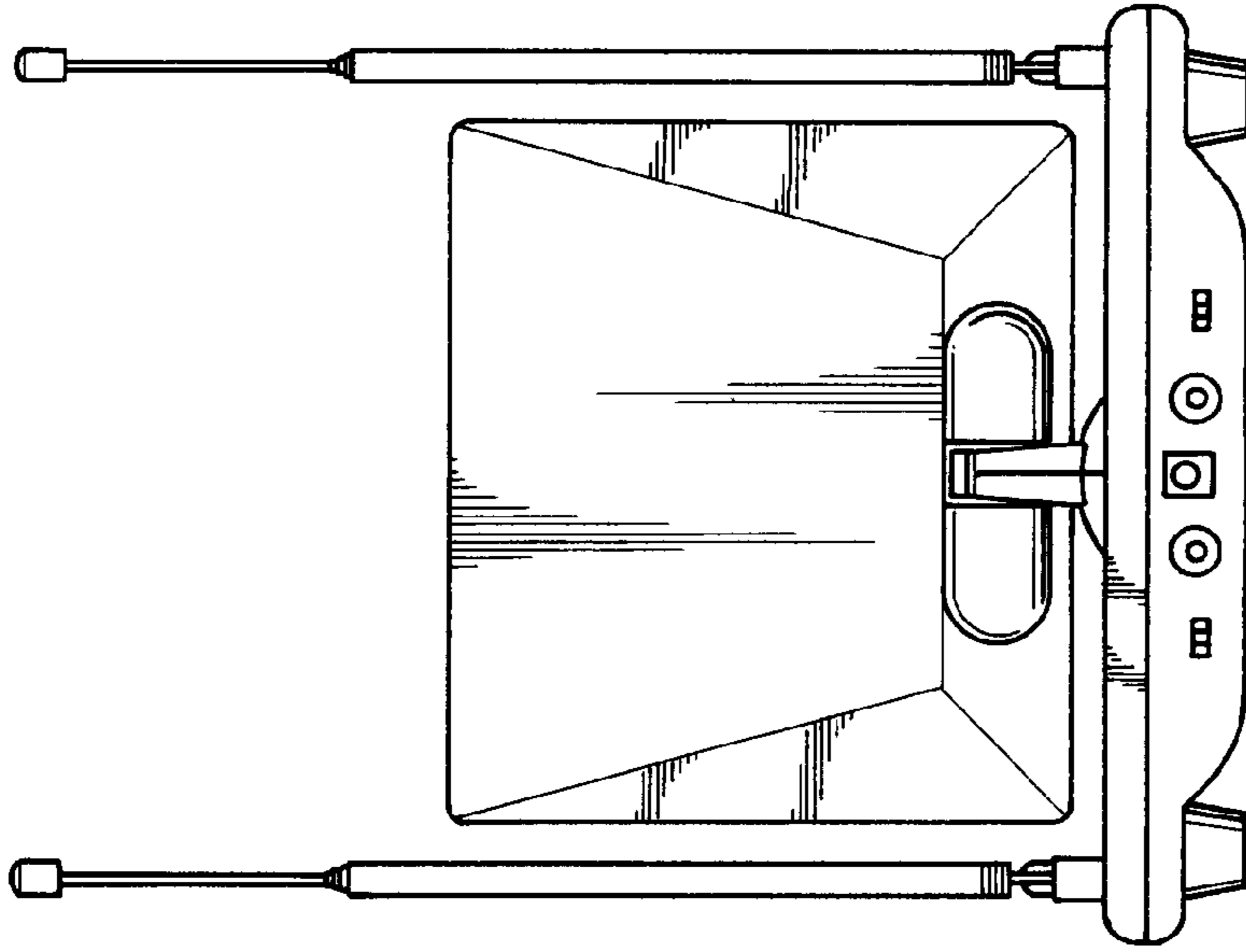


FIG. 3

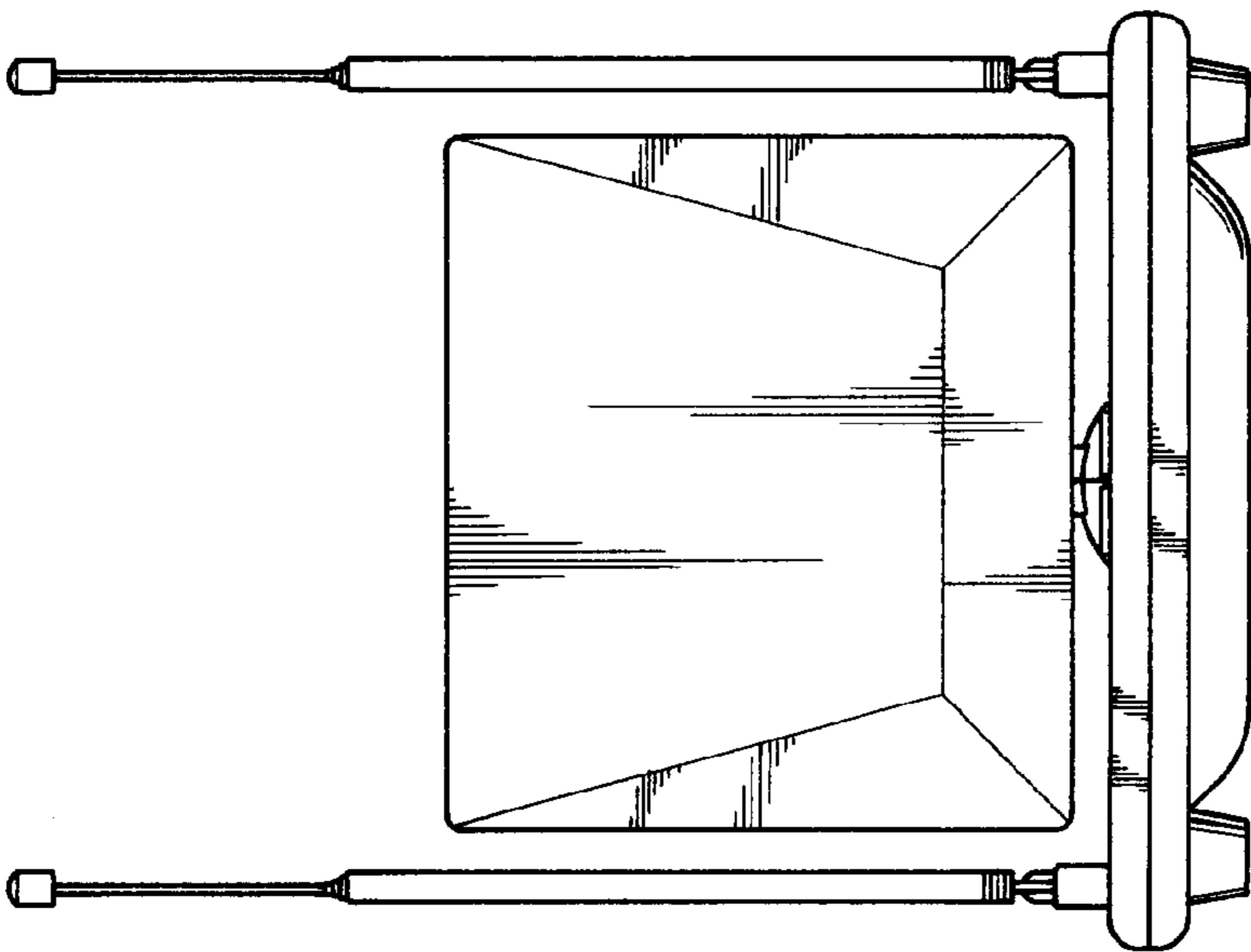


FIG. 2

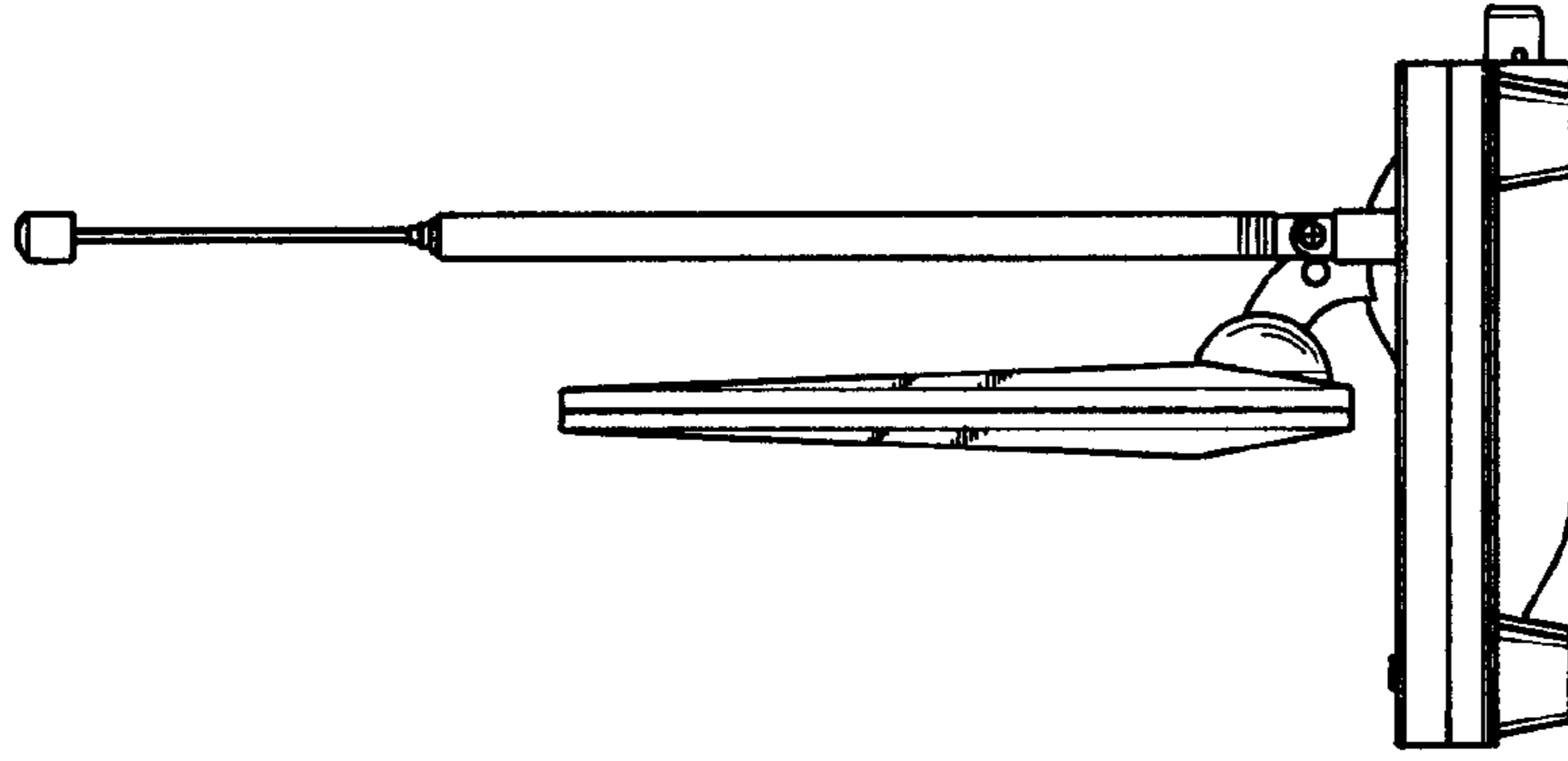


FIG. 5

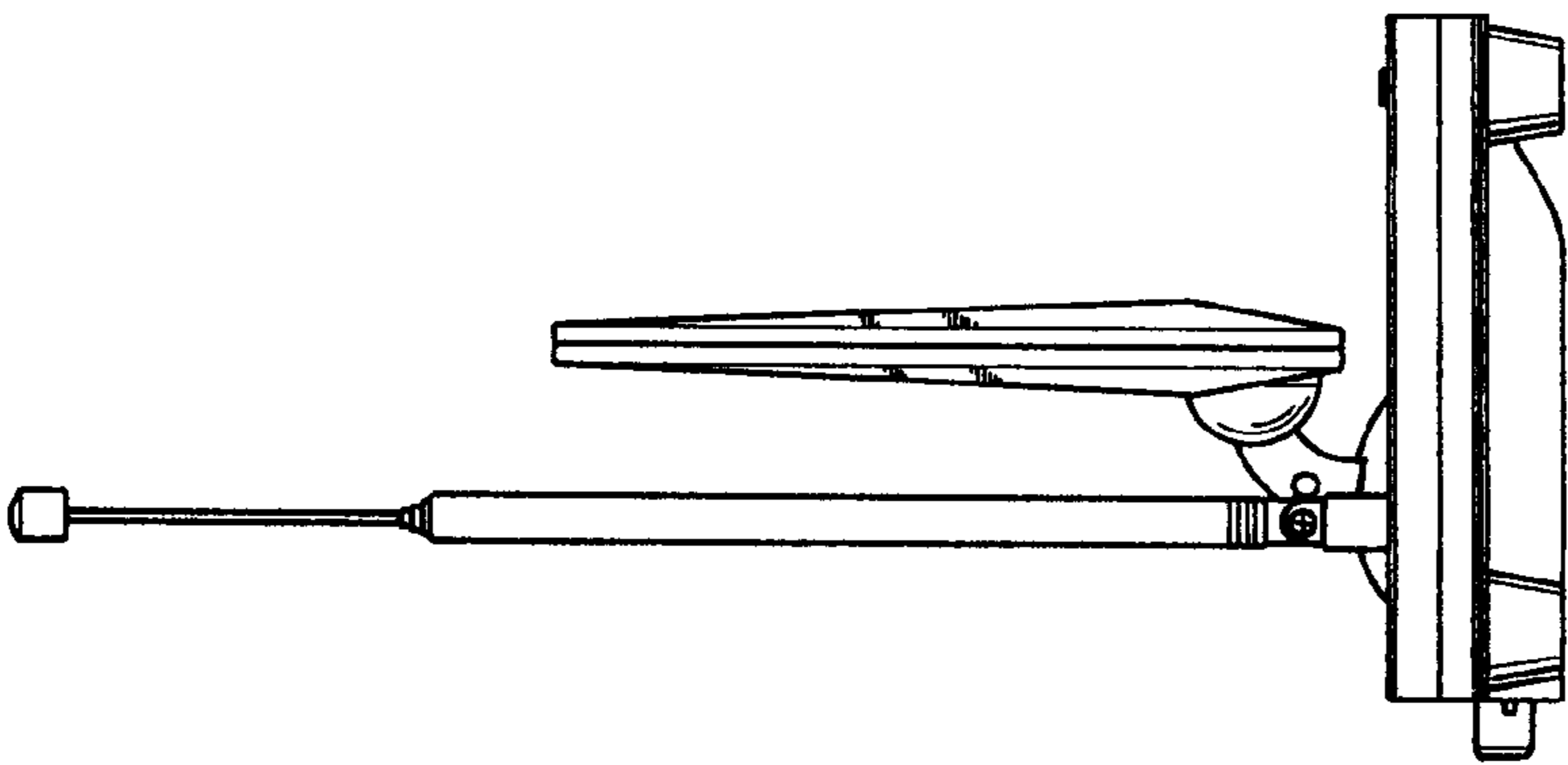


FIG. 4

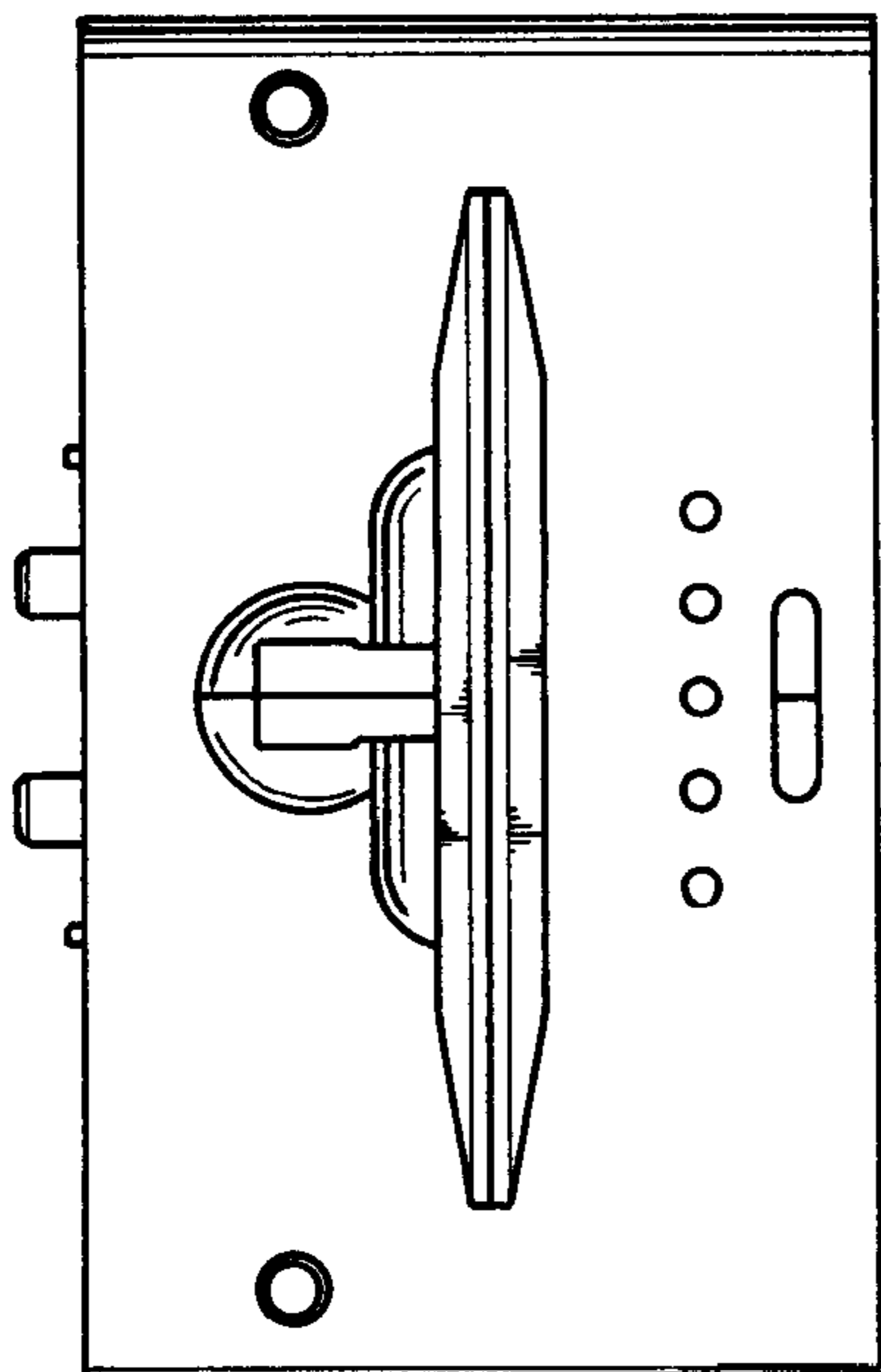


FIG. 6

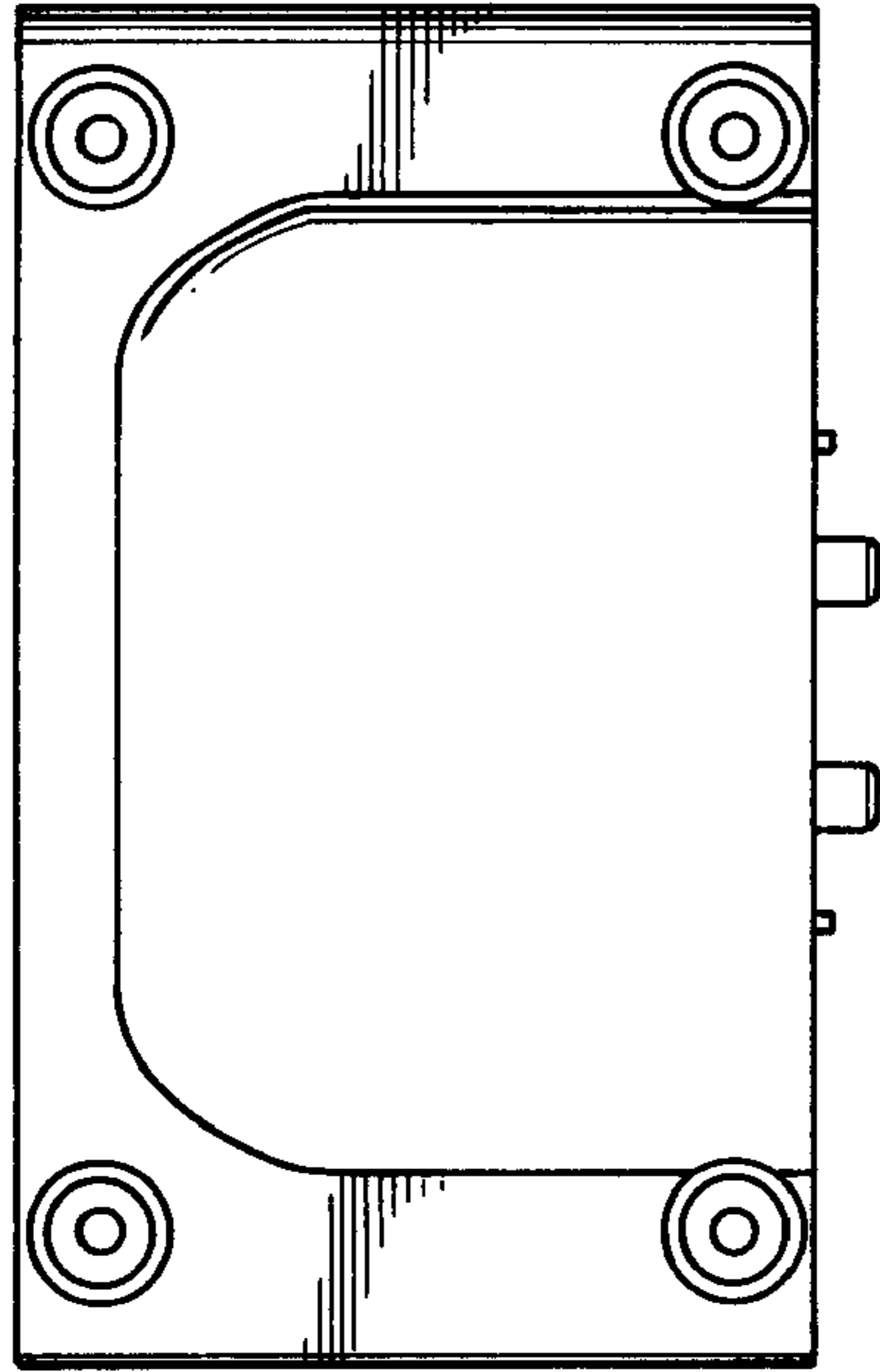


FIG. 7