



US00D517534S

(12) **United States Design Patent**
Ogura et al.

(10) **Patent No.:** **US D517,534 S**
(45) **Date of Patent:** **** Mar. 21, 2006**

(54) **CAPACITOR MICROPHONE**
(75) Inventors: **Hiroshi Ogura**, Machida (JP);
Katsuhiro Makihata, Yokohama (JP);
Yusuke Takeuchi, Yokohama (JP)
(73) Assignee: **Matsushita Electric Industrial Co., Ltd.**, Osaka (JP)
(**) Term: **14 Years**

2,415,602 A * 2/1947 Monaco 174/48
3,033,913 A * 5/1962 Dietze 174/60
4,424,407 A * 1/1984 Barbic 174/67
D290,006 S * 5/1987 Frost et al. D14/243
D324,388 S * 3/1992 Pulio et al. D14/215
D332,942 S * 2/1993 Julien D13/184
5,708,565 A * 1/1998 Fairbanks 361/704
D434,023 S * 11/2000 Tsuyuguchi et al. D14/156
D470,450 S * 2/2003 Olzak D12/400

* cited by examiner

(21) Appl. No.: **29/226,780**
(22) Filed: **Apr. 1, 2005**

Primary Examiner—Paula A. Greene
(74) *Attorney, Agent, or Firm*—Brinks Hofer Gilson & Lione

(30) **Foreign Application Priority Data**
Oct. 8, 2004 (JP) 2004-030667
(51) **LOC (8) Cl.** **14-01**
(52) **U.S. Cl.** **D14/225**
(58) **Field of Classification Search** D14/156,
D14/167, 168, 210, 215, 243, 256, 299, 217,
D14/218, 225; D6/448, 449, 432, 455, 456,
D6/496; D12/400; D13/184; 174/48, 67,
174/52.2, 60; 181/158
See application file for complete search history.

(57) **CLAIM**

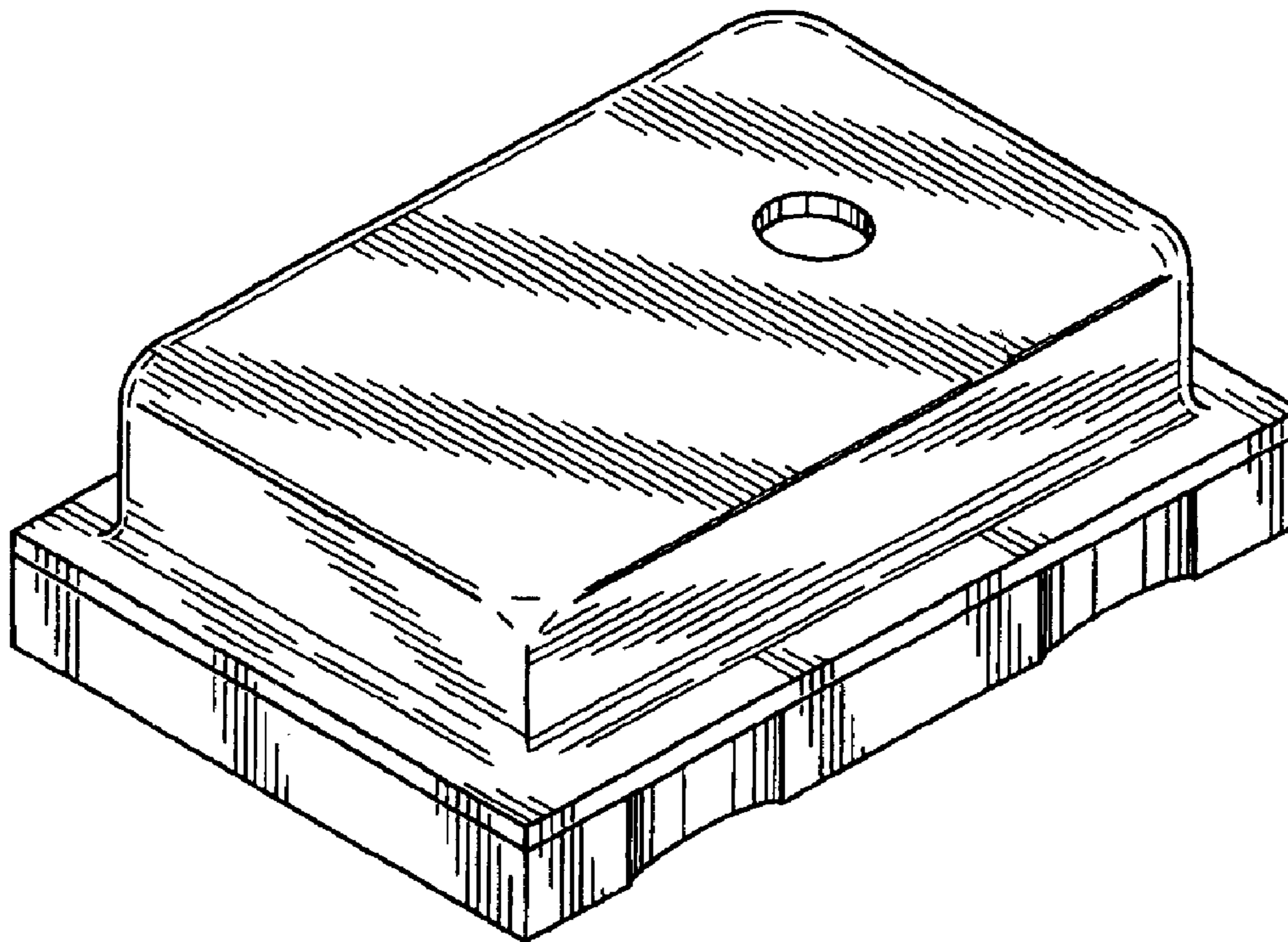
We claim the ornamental design for a capacitor microphone, as shown and described.

DESCRIPTION

FIG. 1 is a top perspective view of a capacitor microphone of the present invention;
FIG. 2 is a first side view thereof, wherein the second side view is a mirror image thereof;
FIG. 3 is a front view thereof, wherein the rear view is a mirror image thereof;
FIG. 4 is a top view thereof; and,
FIG. 5 is a bottom view thereof.

(56) **References Cited**
U.S. PATENT DOCUMENTS
2,196,342 A * 4/1940 Ruttenberg 381/357

1 Claim, 5 Drawing Sheets



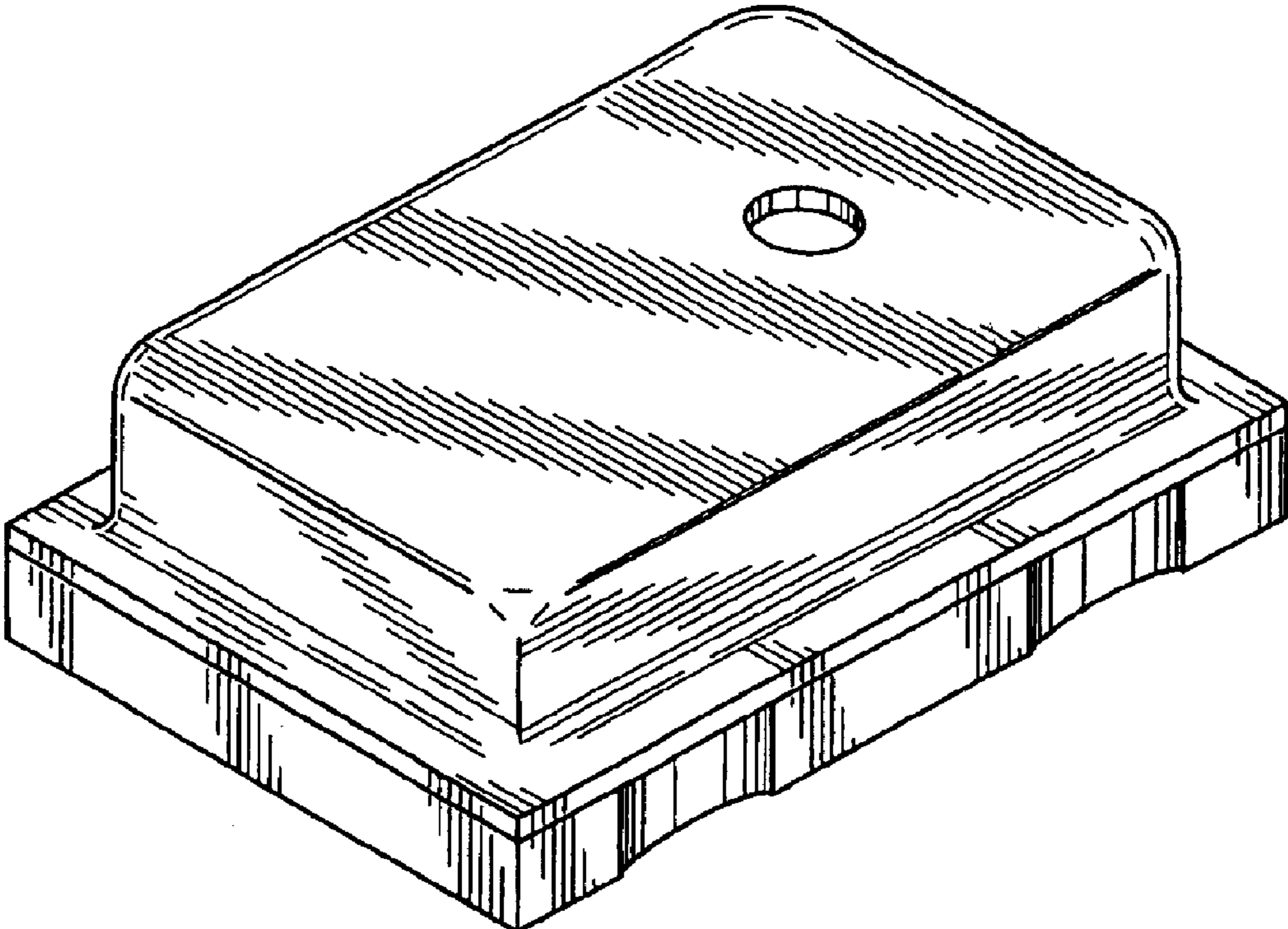


FIG. 1

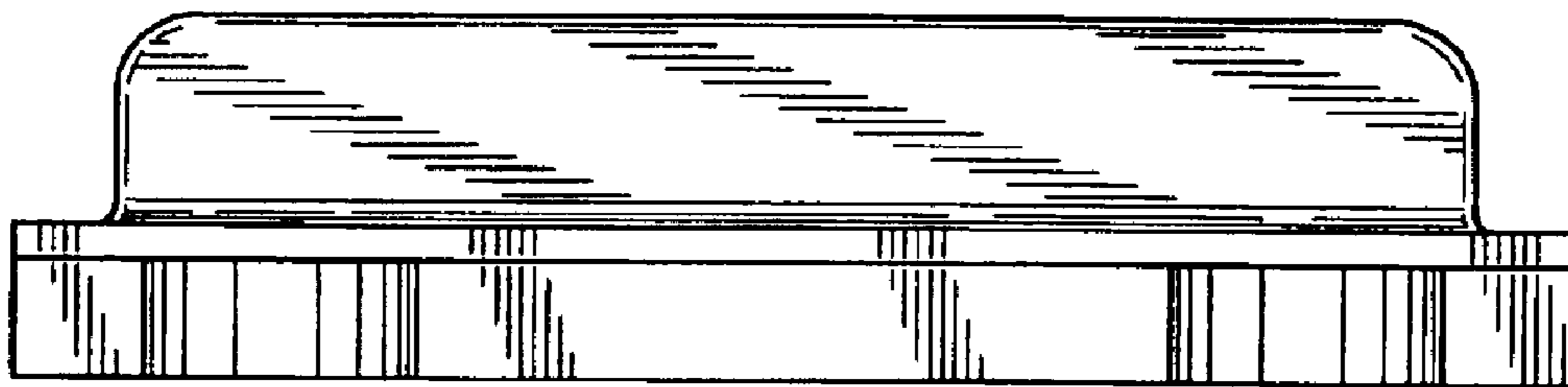


FIG. 2

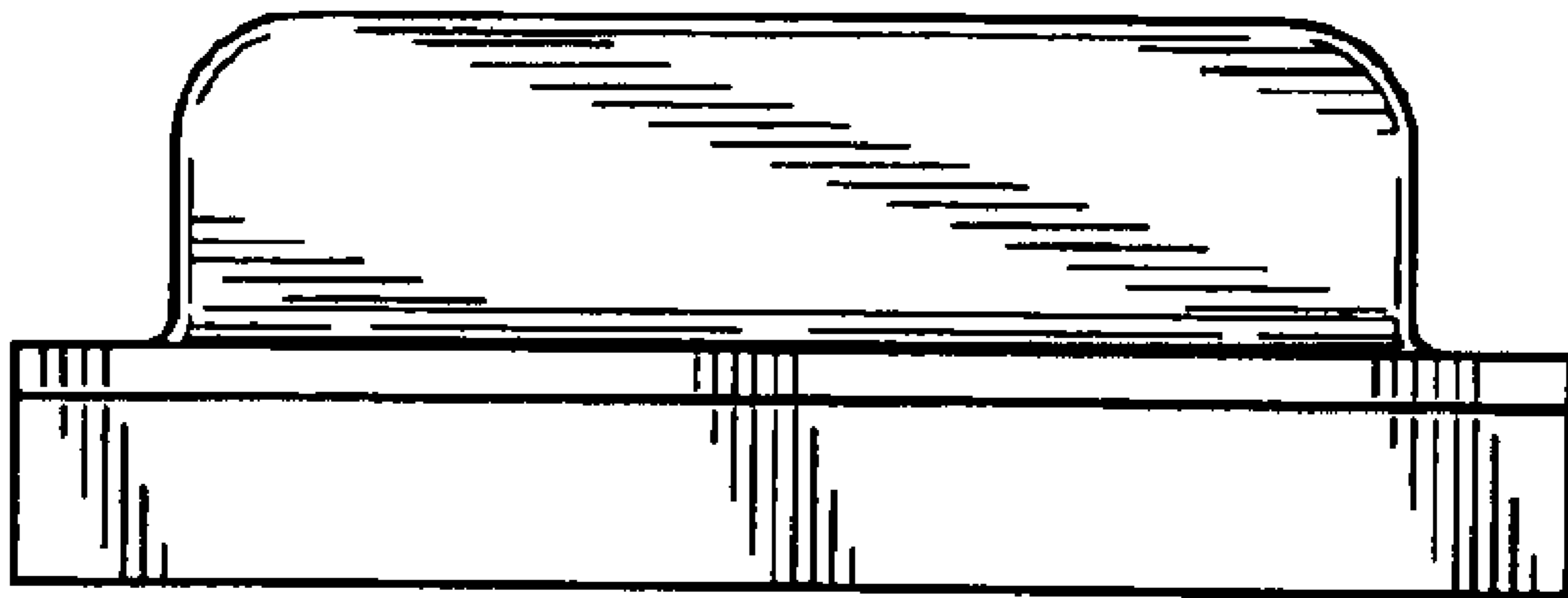


FIG. 3

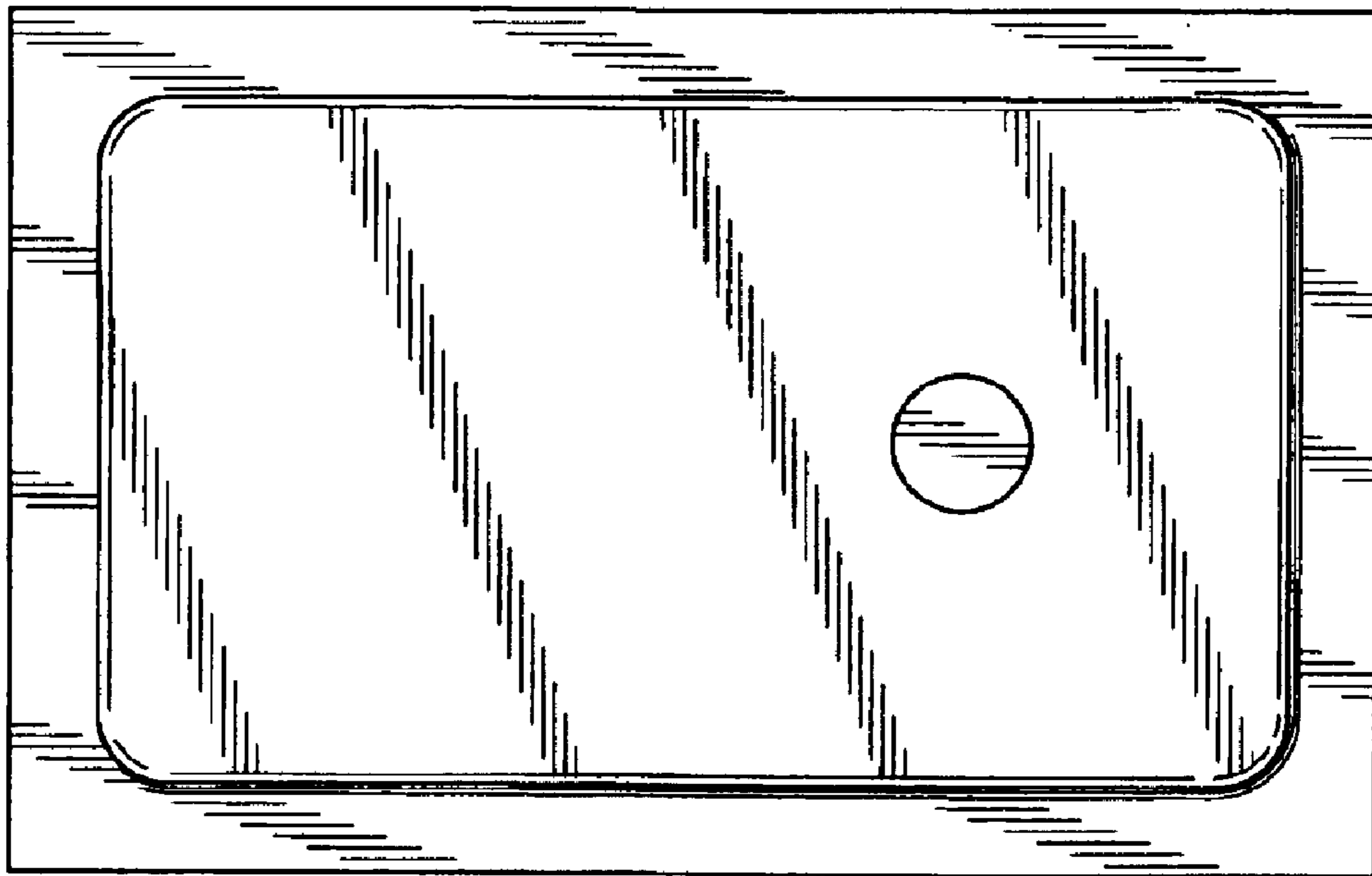


FIG. 4

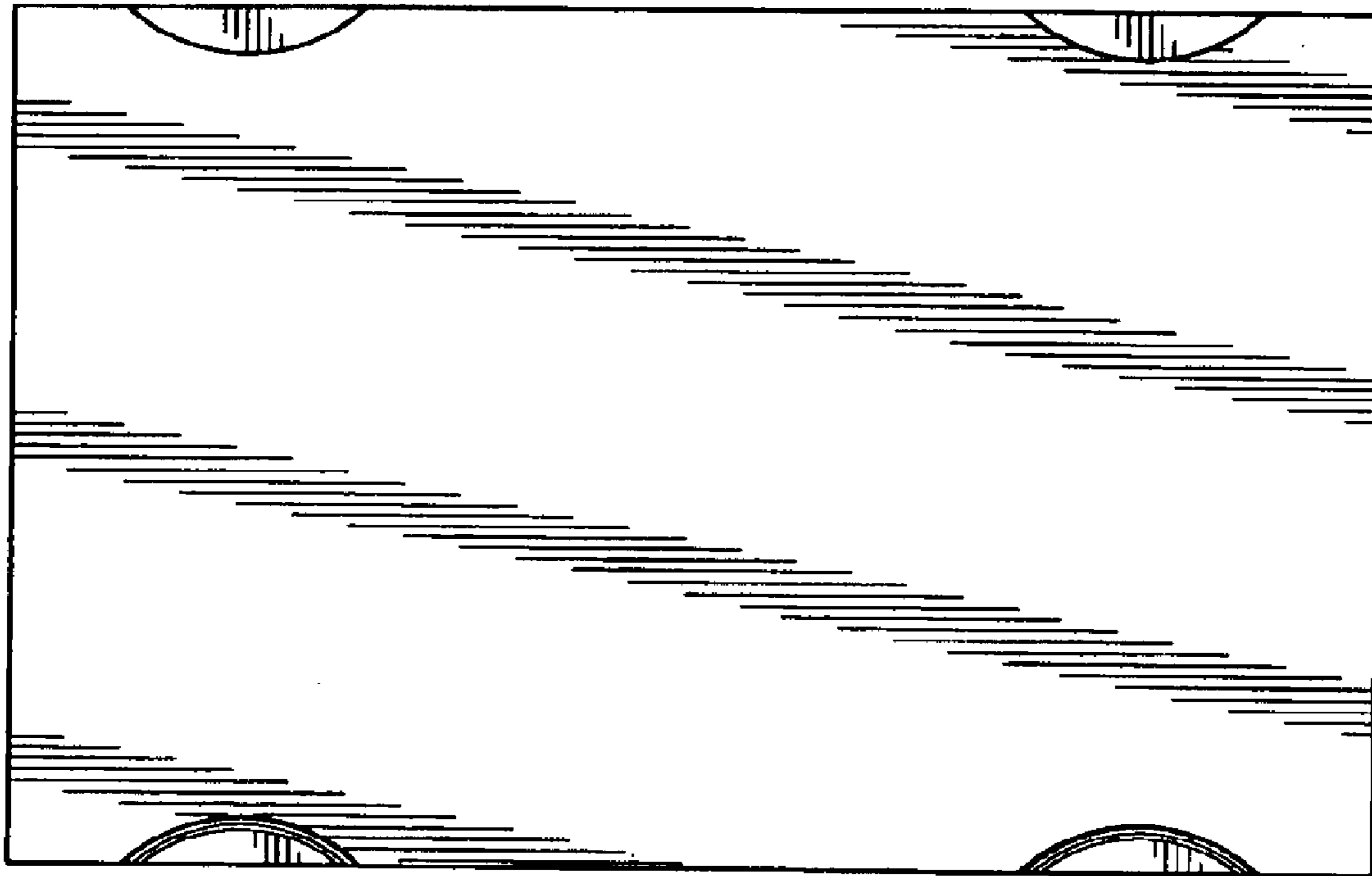


FIG. 5