



US00D517527S

(12) **United States Design Patent**
Suzuki

(10) **Patent No.:** **US D517,527 S**
(45) **Date of Patent:** **** Mar. 21, 2006**

(54) **HEADPHONE**

(75) Inventor: **Satoshi Suzuki**, Tokyo (JP)
(73) Assignee: **Sony Corporation**, Tokyo (JP)
(**) Term: **14 Years**

(21) Appl. No.: **29/227,498**

(22) Filed: **Apr. 13, 2005**

(51) **LOC (8) Cl.** **14-01**

(52) **U.S. Cl.** **D14/205**

(58) **Field of Classification Search** D14/192,
D14/205, 206, 223; 181/129, 130; 379/430,
379/431; 381/370, 371, 374, 376, 378, 379,
381/380, 381; D2/883, 894; 2/12, 171, 209,
2/209.7, 410; D29/112, 122; 455/575.2

See application file for complete search history.

(56) **References Cited**

U.S. PATENT DOCUMENTS

3,488,457	A	*	1/1970	Lahti	381/371
D229,833	S	*	1/1974	Becker	D14/205
D246,242	S	*	11/1977	Bellini	D14/205
D254,616	S	*	4/1980	Tabata	D14/205
5,406,037	A	*	4/1995	Nageno et al.	181/129
D376,598	S	*	12/1996	Hayashi	D14/206
D403,128	S	*	12/1998	Scanlon et al.	D29/122
D410,466	S		6/1999	Mouri		
D420,356	S		2/2000	Suzuku		
D435,249	S	*	12/2000	Yasutomi	D14/205
D453,015	S		1/2002	Yuyama		
D467,895	S		12/2002	Hirano		

OTHER PUBLICATIONS

Web page "Sony eCatalog, MDR-D22SL" <http://www.ecat.sony.co.jp/avacc/headphone/acc/index.cfm?PD=810&KM=MDR-D22SL>, 2 sheets, Sony (Mar. 2005).

Web page "QUALIA, Q010-MDR1" <http://www.sony.jp/products/Consumer/QUALIA/jp/products/010/index.html>, 2 sheet, Sony (Mar. 2005).

* cited by examiner

Primary Examiner—Paula A. Greene

(74) *Attorney, Agent, or Firm*—Rader, Fishman & Grauer PLLC

(57) **CLAIM**

The ornamental design for a headphone, as shown and described.

DESCRIPTION

FIG. 1 is a perspective view of a headphone showing my new design;

FIG. 2 is a front elevational view thereof;

FIG. 3 is a rear elevational view thereof;

FIG. 4 is a left side elevational view thereof;

FIG. 5 is a right side elevational view thereof;

FIG. 6 is a top plan view thereof; and,

FIG. 7 is a bottom plan view thereof.

Portions of FIGS. 1-7 that are shown as broken lines are for illustrative purpose only and form no part of the claimed design.

1 Claim, 4 Drawing Sheets

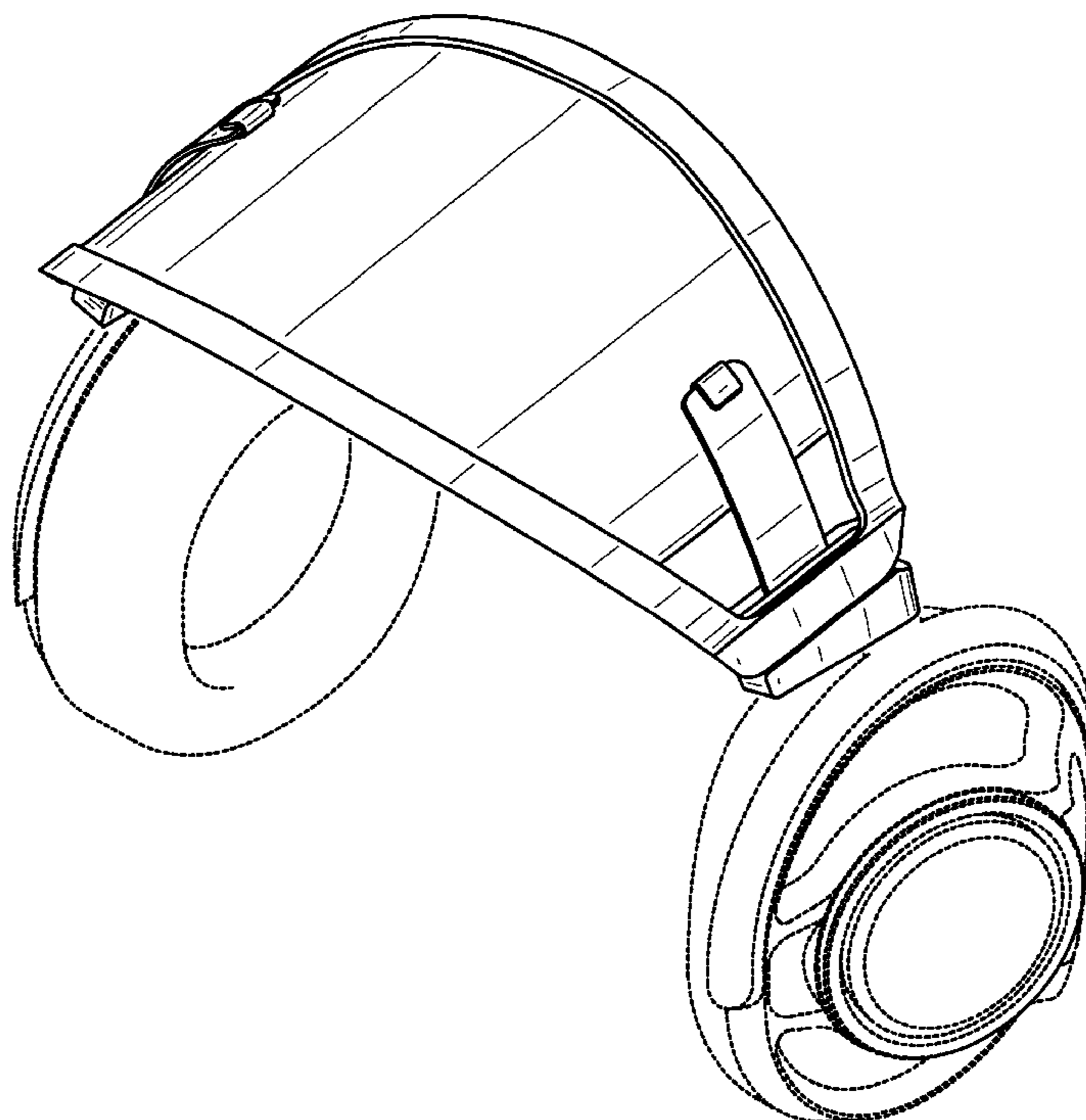


Fig.1

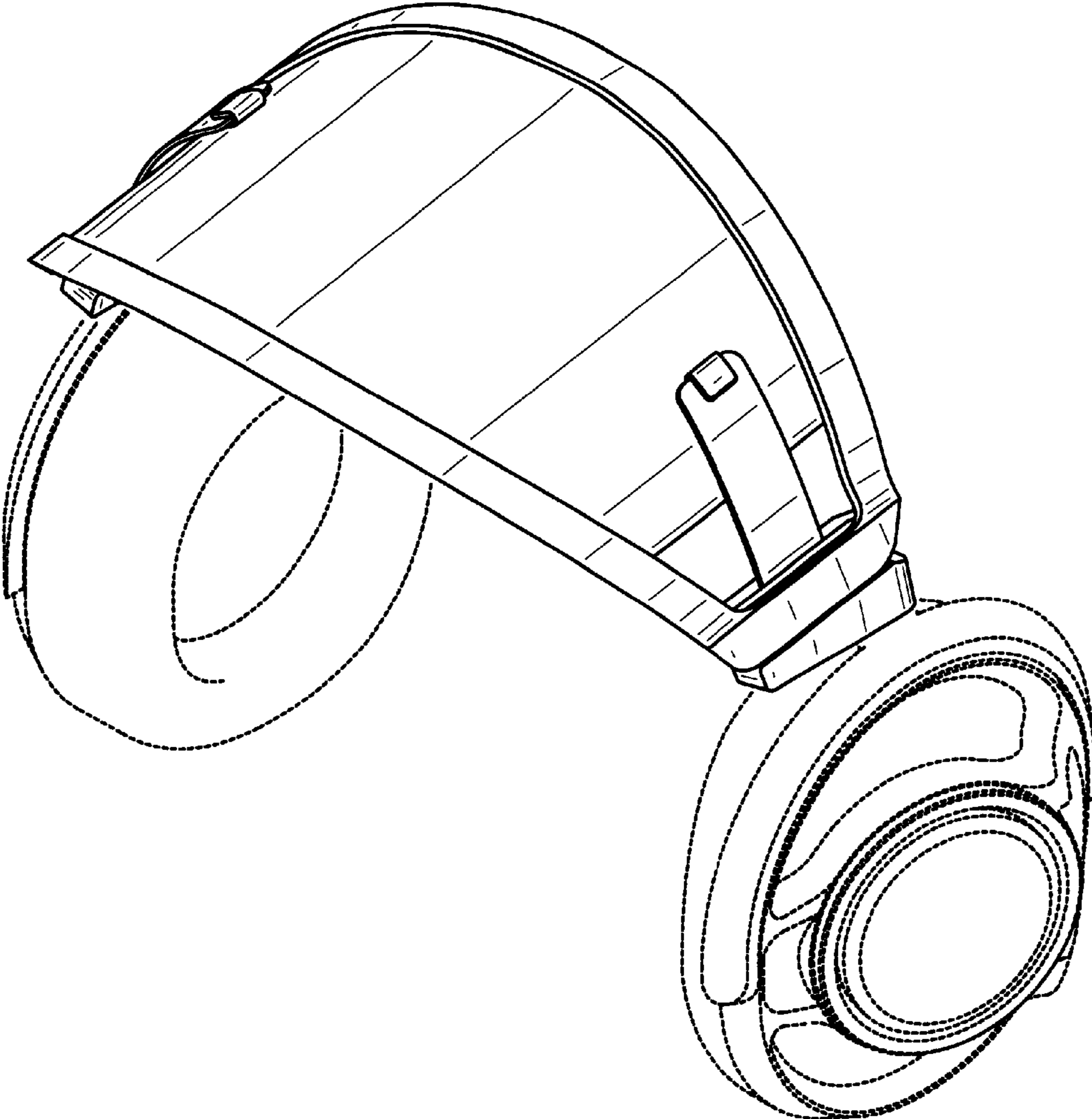


Fig.2

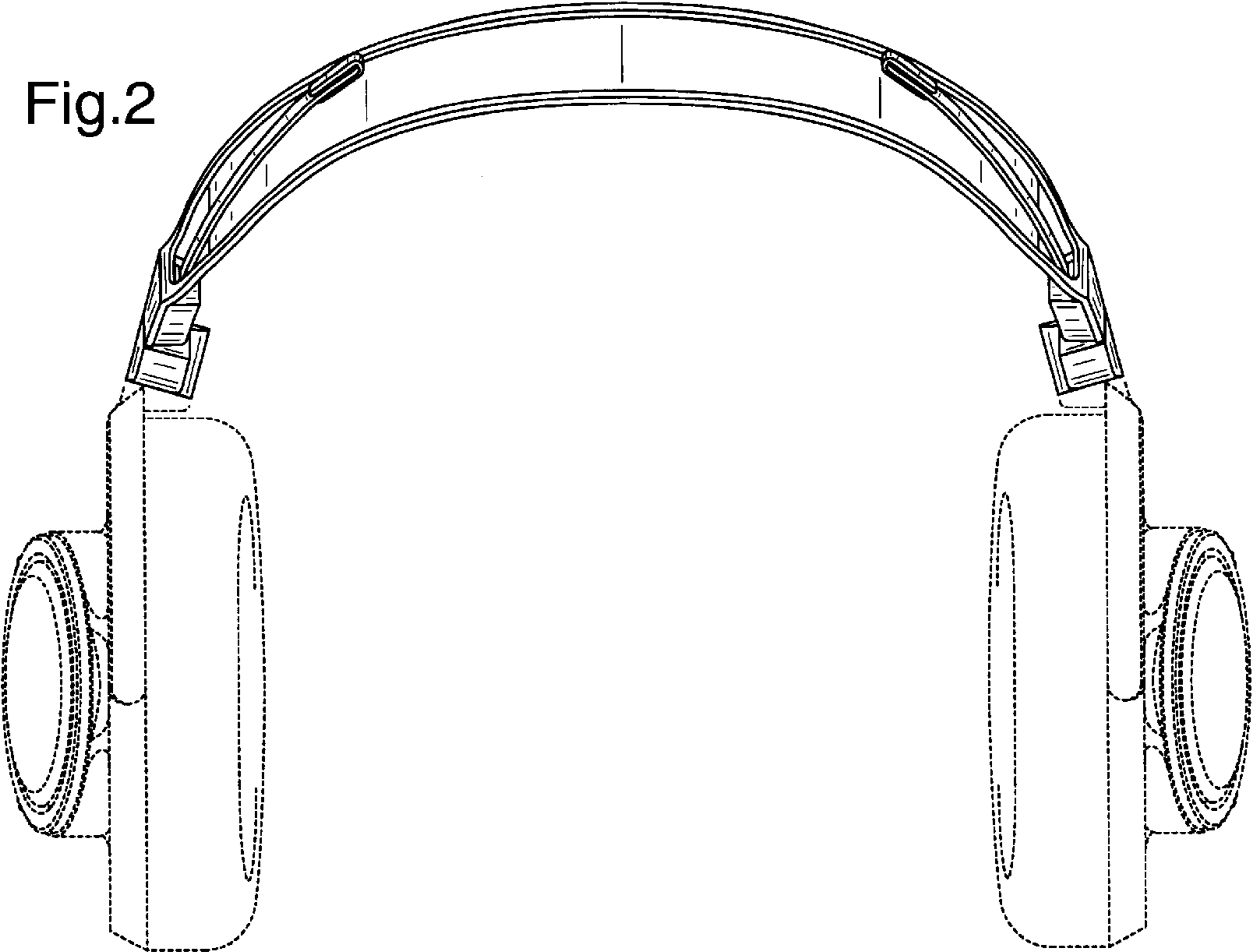


Fig.3

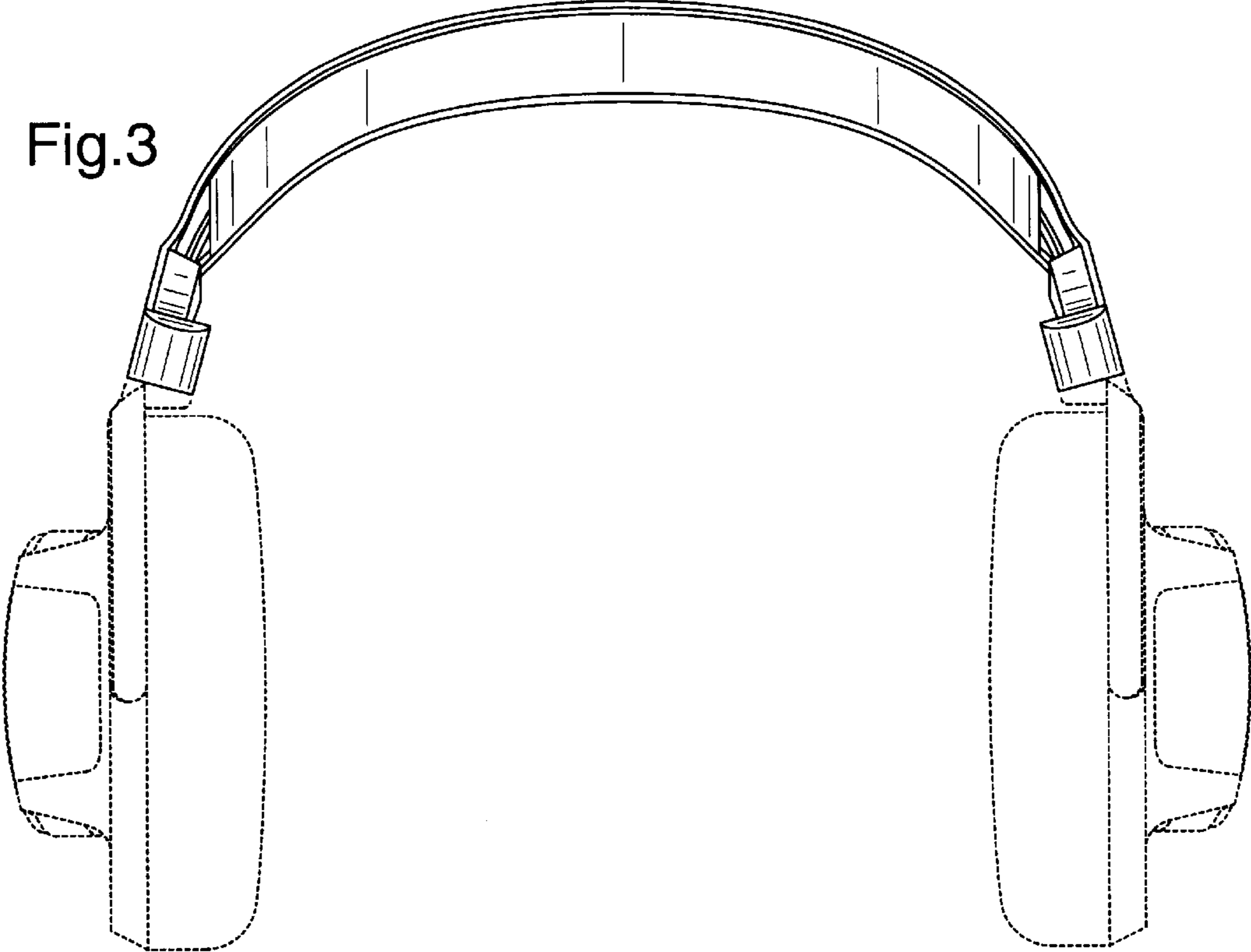


Fig.4

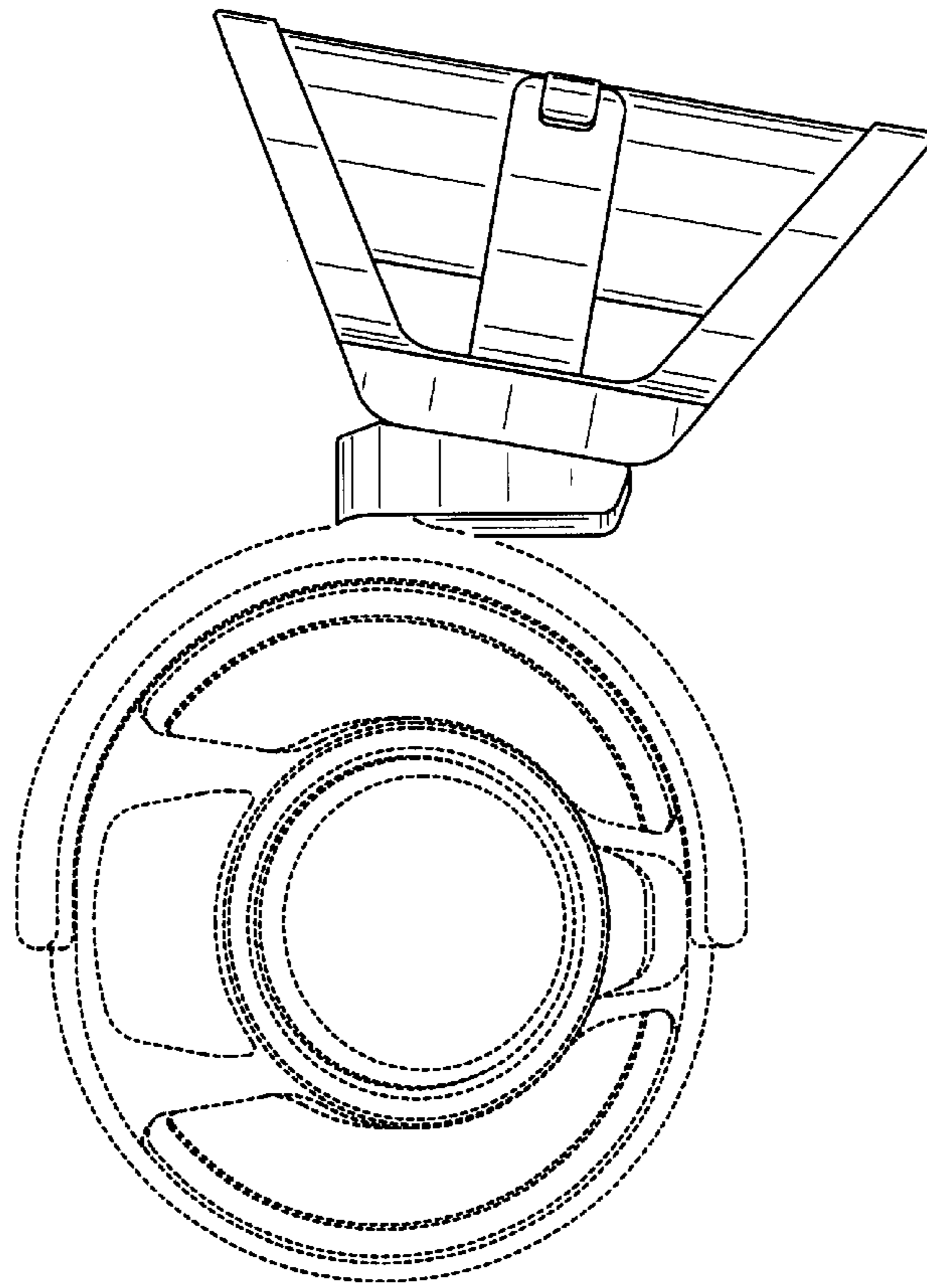


Fig.5

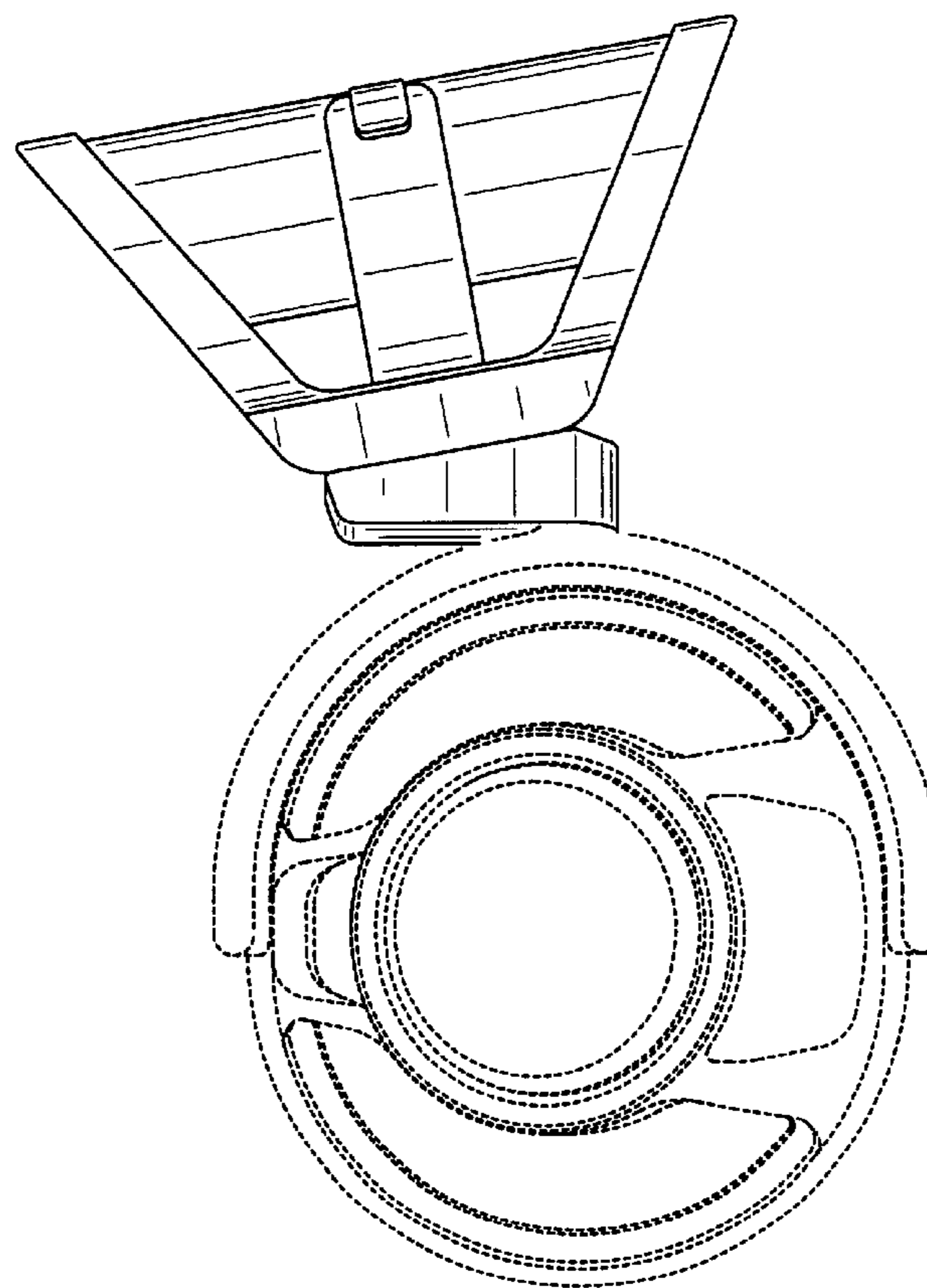


Fig.6

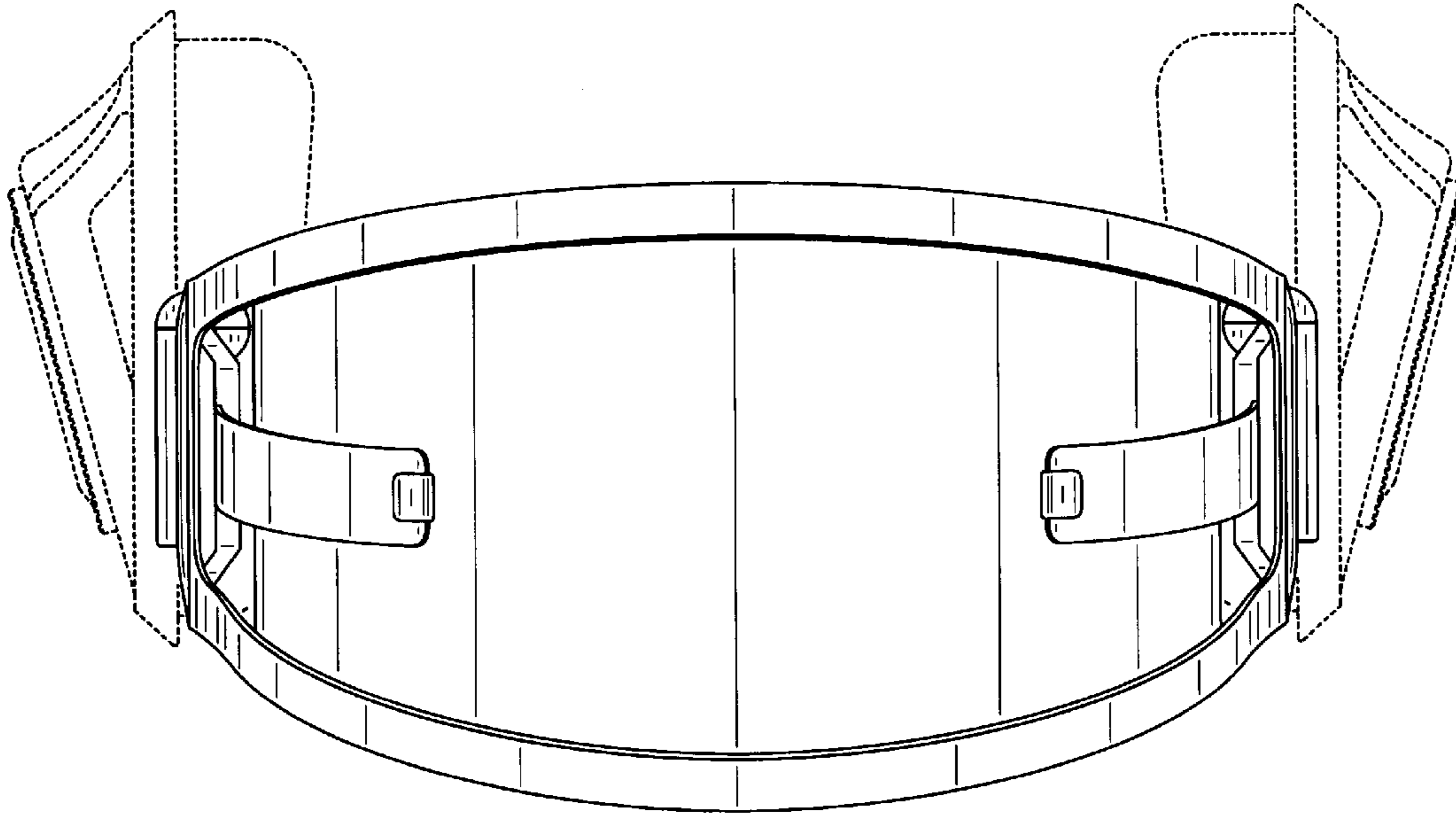


Fig.7

