



US00D517526S

(12) **United States Design Patent**
Komiyama

(10) **Patent No.: US D517,526 S**
(45) **Date of Patent: ** Mar. 21, 2006**

- (54) **EAR PIECE FOR A HEADPHONE**
 - (75) Inventor: **Jun Komiyama, Tokyo (JP)**
 - (73) Assignee: **Sony Corporation, Tokyo (JP)**
 - (**) Term: **14 Years**
 - (21) Appl. No.: **29/227,494**
 - (22) Filed: **Apr. 13, 2005**
 - (51) **LOC (8) Cl. 14-01**
 - (52) **U.S. Cl. D14/205**
 - (58) **Field of Classification Search D14/191,**
D14/192, 205, 206, 223, 249, 228, 248, 188;
379/430, 431; 381/370, 374, 376, 377, 378,
381/379, 380, 381; 181/129, 130; D29/122;
D16/130, 131
- See application file for complete search history.

- D484,485 S * 12/2003 Matsuoka D14/205
- D502,695 S 3/2005 Suzuki
- D504,414 S * 4/2005 Yoshida D14/192
- D505,411 S * 5/2005 Sakai D14/192

* cited by examiner

Primary Examiner—Paula A. Greene
(74) *Attorney, Agent, or Firm*—Rader, Fishman & Grauer PLLC

(57) **CLAIM**

The ornamental design for a ear piece for a headphone, as shown and described.

DESCRIPTION

FIG. 1 is a perspective view of a ear piece for a headphone showing my new design;
 FIG. 2 is a front elevational view thereof;
 FIG. 3 is a rear elevational view thereof;
 FIG. 4 is a left side elevational view thereof;
 FIG. 5 is a right side elevational view thereof;
 FIG. 6 is a bottom plan view thereof;
 FIG. 7 is a top plan view thereof; and,
 FIG. 8 is a front perspective view of an ear piece for a headphone in an alternate position wherein the ear pieces are extended for use.

The broken lines are for illustrative purposes only and forms no part of the claimed design.

(56) **References Cited**

U.S. PATENT DOCUMENTS

- 5,406,037 A * 4/1995 Nageno et al. 181/129
- D373,360 S * 9/1996 Kanno D14/205
- 5,787,166 A * 7/1998 Ullman 379/430
- D423,012 S * 4/2000 Yasutomi D14/205
- D435,249 S * 12/2000 Yasutomi D14/205
- D456,100 S * 4/2002 Marasco D29/122
- D459,337 S 6/2002 Mori
- D462,943 S * 9/2002 Lucaci et al. D14/206
- D481,709 S * 11/2003 Solderits D14/228

1 Claim, 7 Drawing Sheets

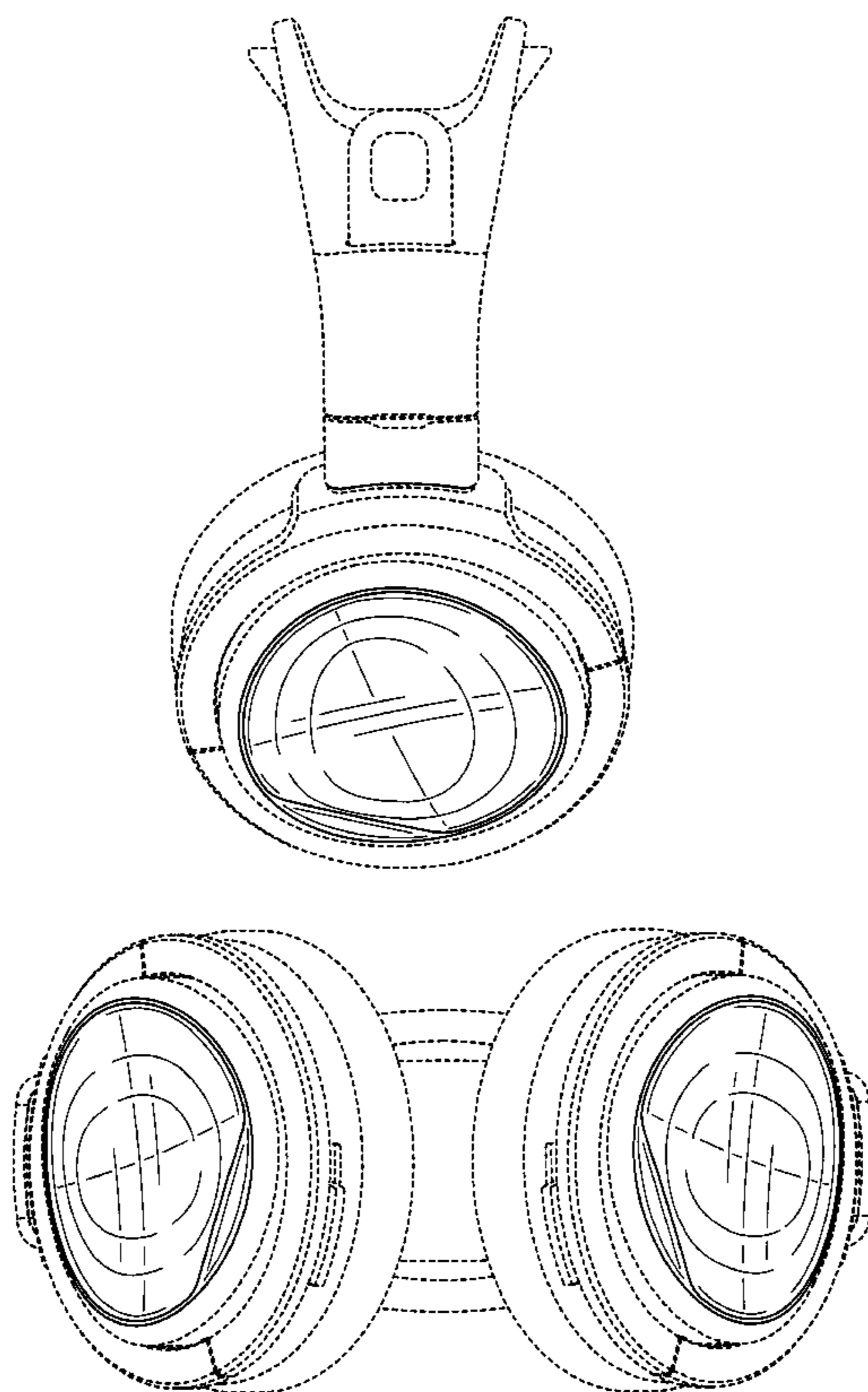


Fig.1

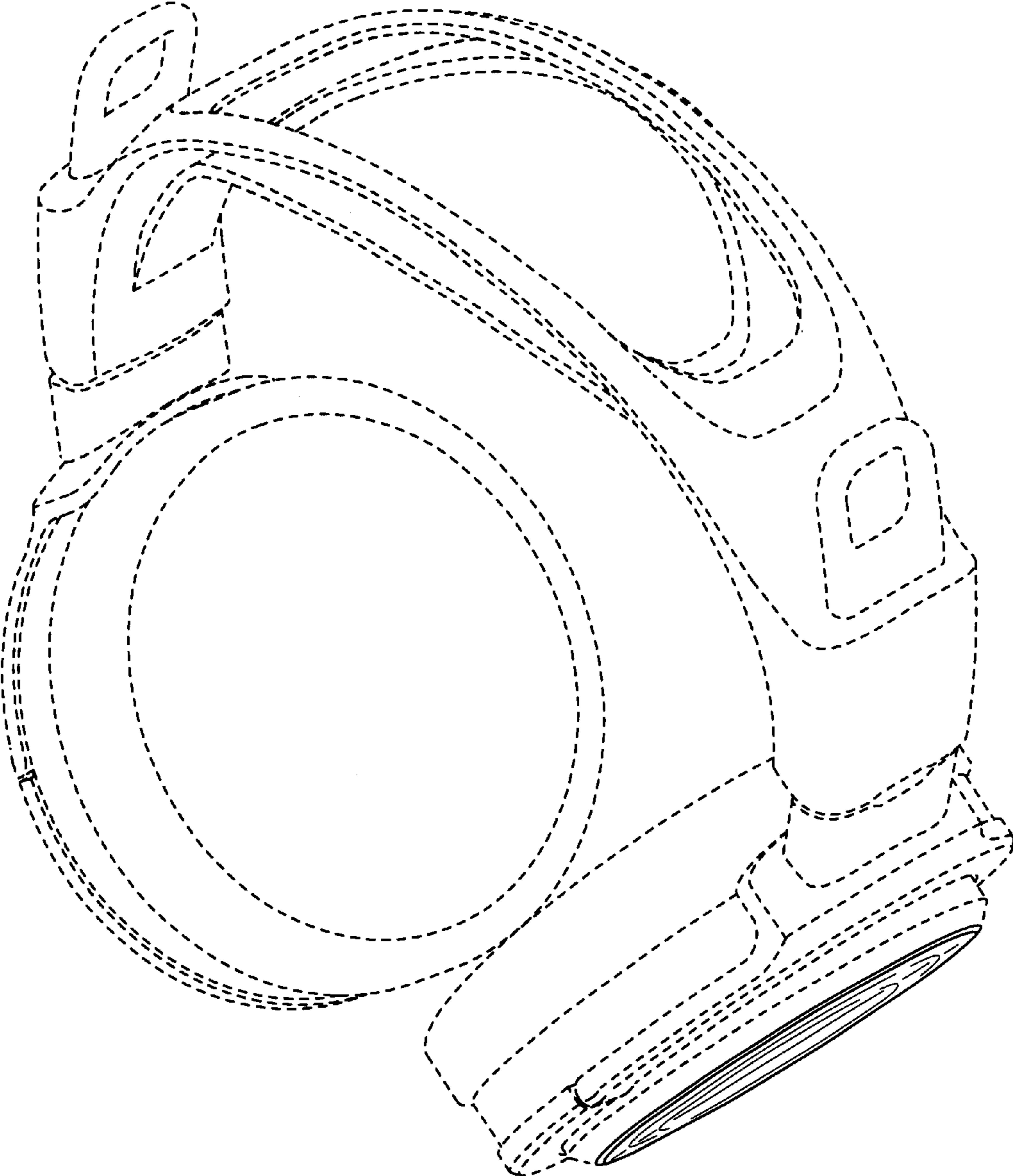


Fig.2

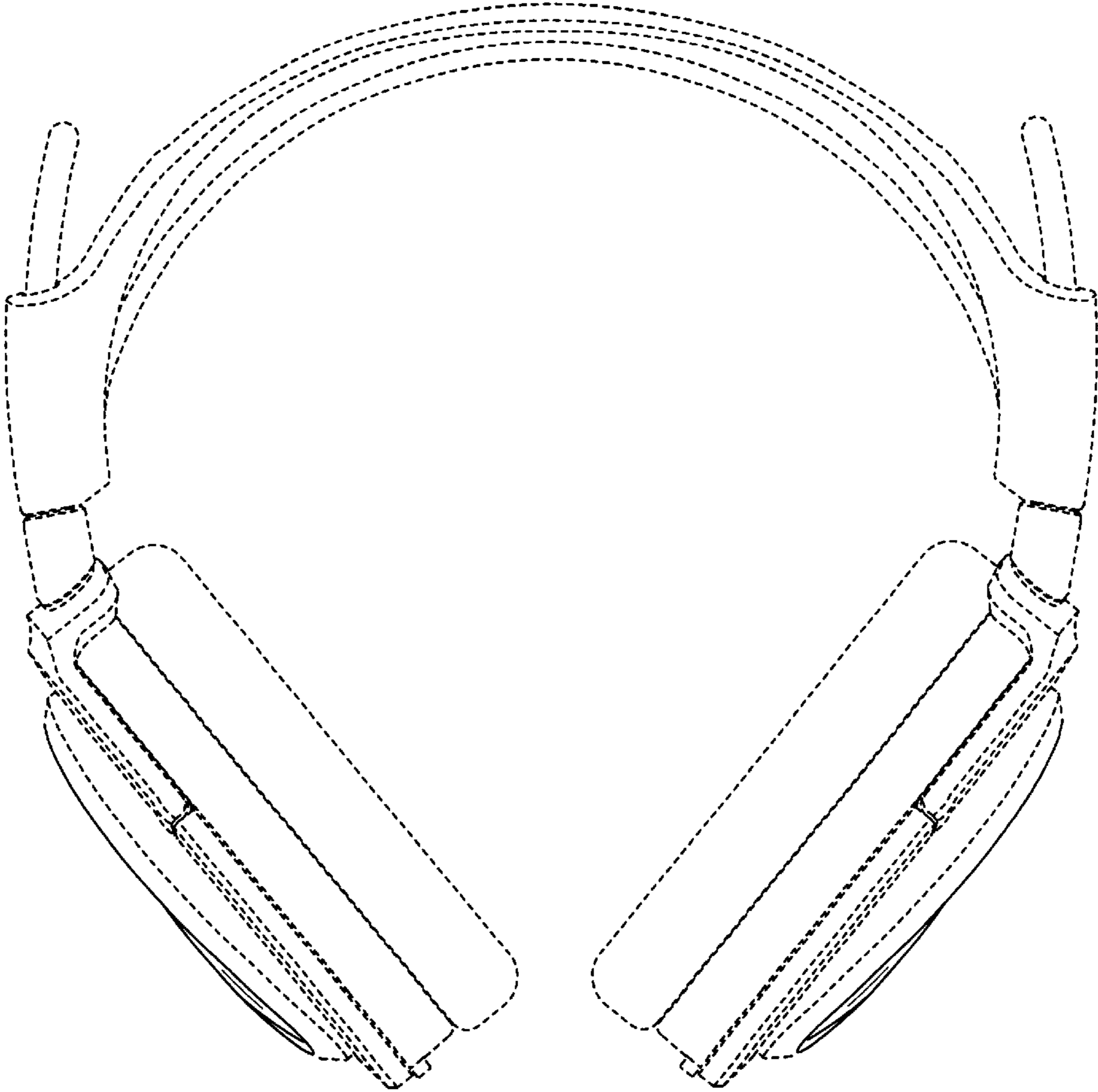
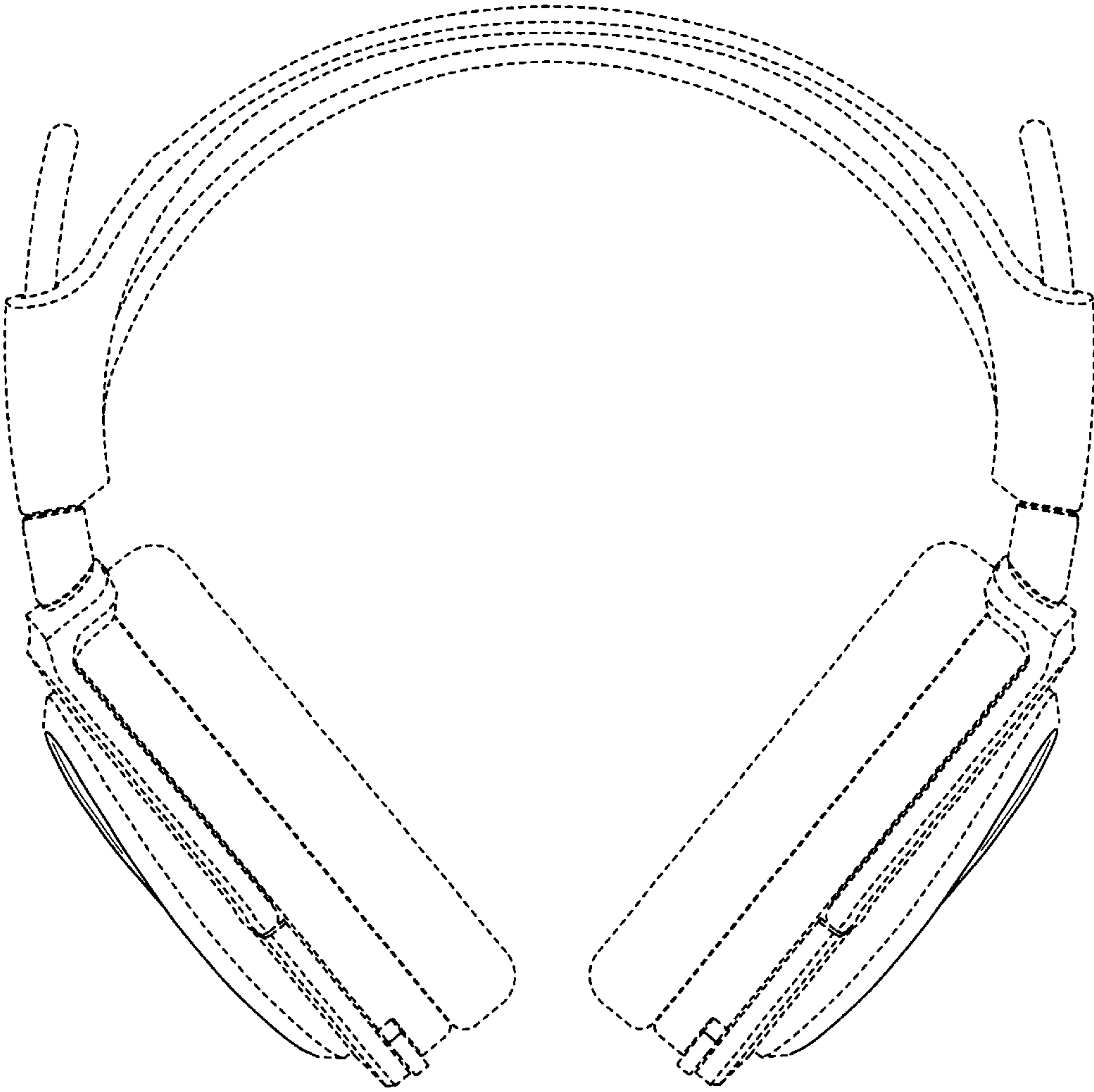


Fig.3



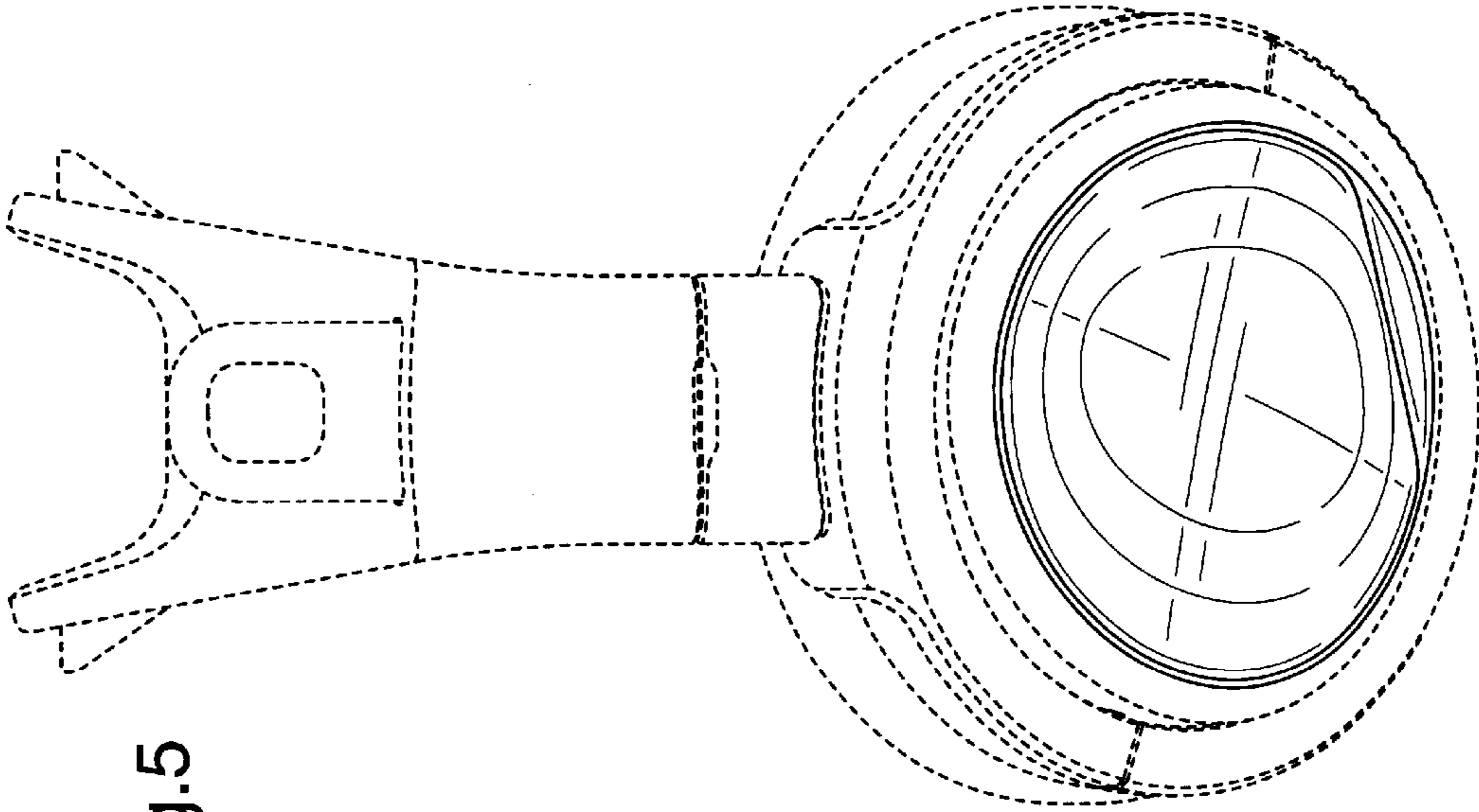


Fig.5

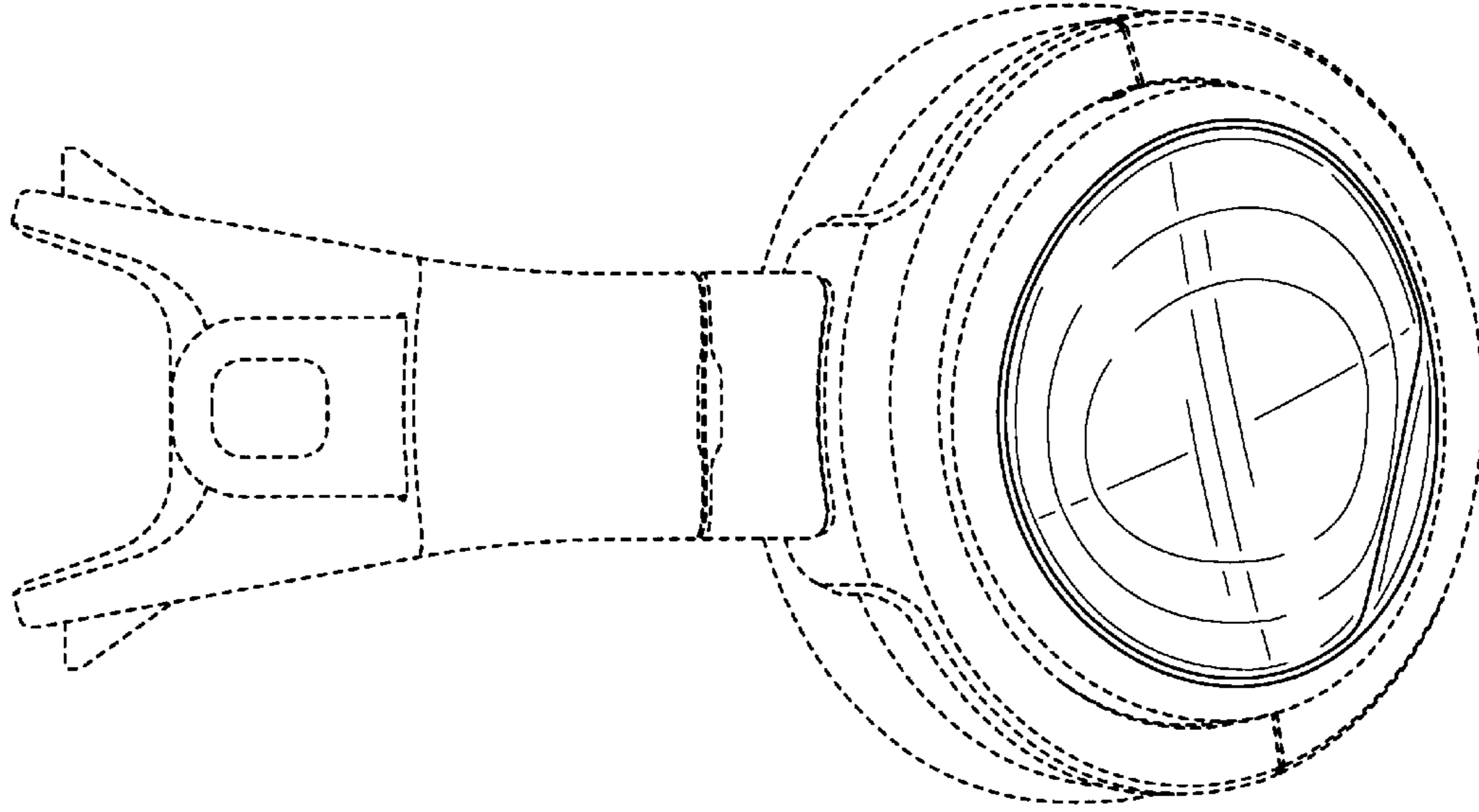


Fig.4

Fig.6

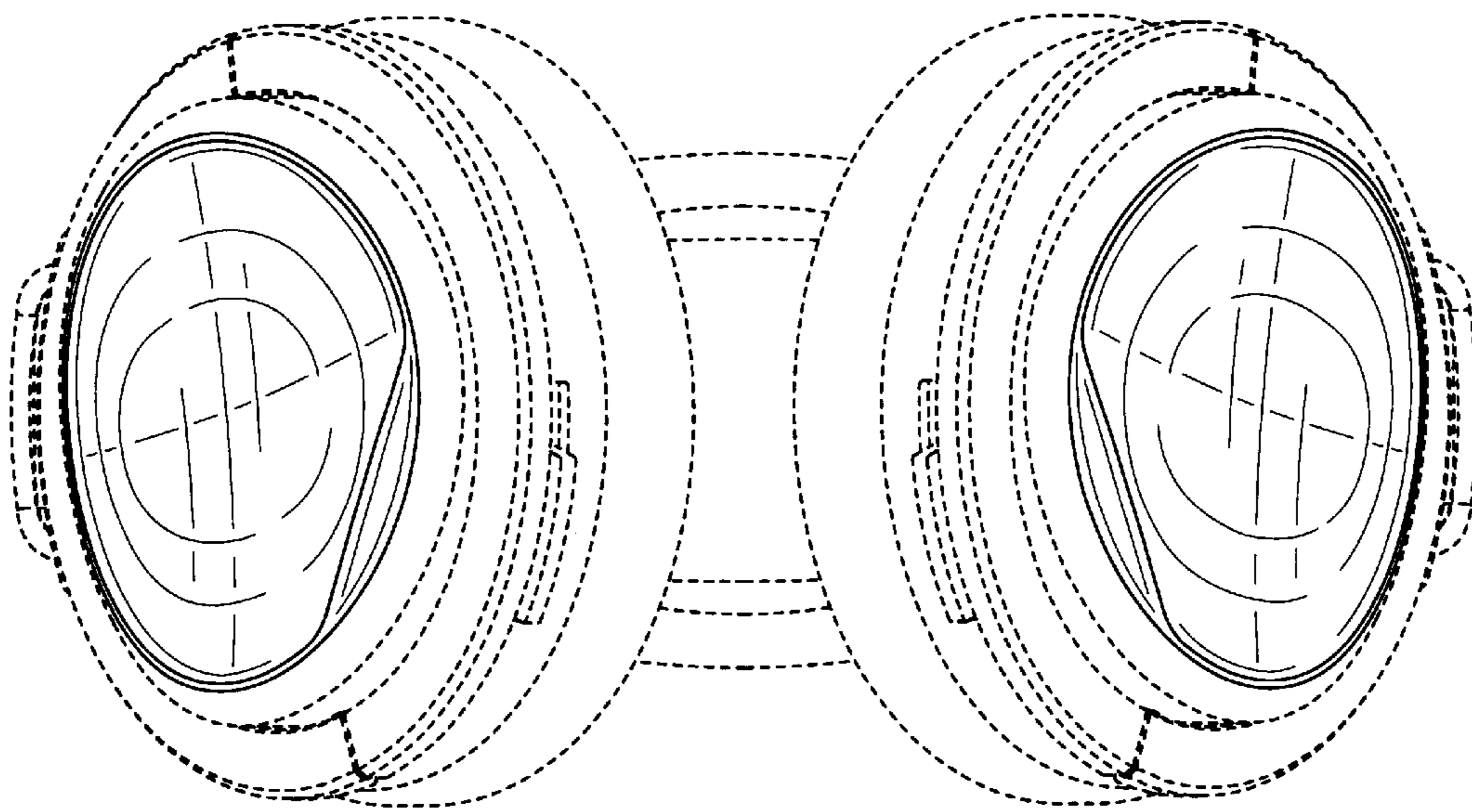


Fig.7

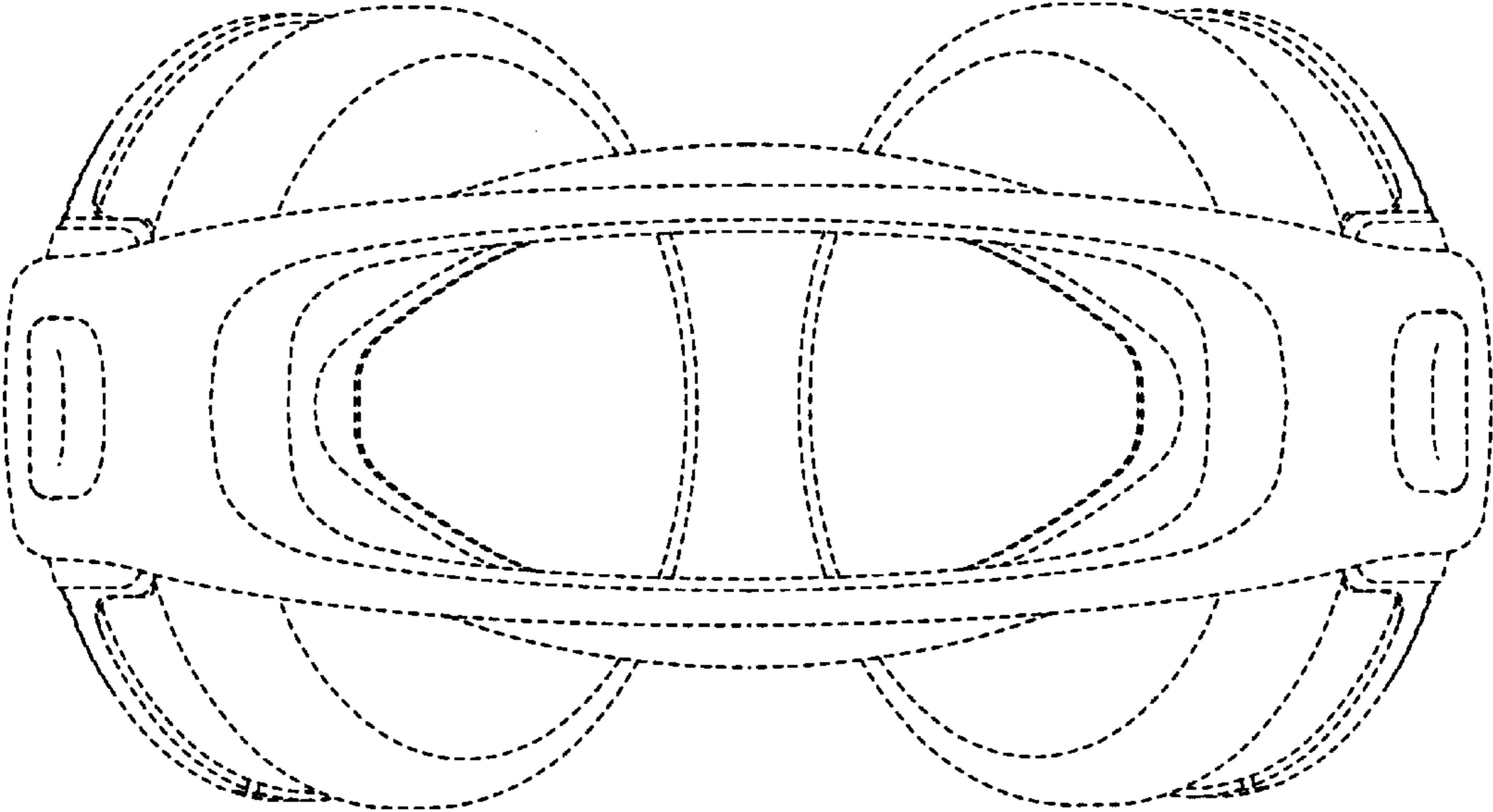


Fig.8

