



US00D517525S

(12) **United States Design Patent**
Baird et al.

(10) **Patent No.:** **US D517,525 S**
(45) **Date of Patent:** **** Mar. 21, 2006**

(54) **LOUDSPEAKER UNIT**

(75) Inventors: **Jason Baird**, London (GB); **William Webb**, London (GB)

(73) Assignee: **Martin Audio Limited**, Bucks (GB)

(**) Term: **14 Years**

(21) Appl. No.: **29/195,573**

(22) Filed: **Dec. 12, 2003**

(30) **Foreign Application Priority Data**

Sep. 15, 2003 (EM) 00007663

(51) **LOC (8) Cl.** **14-01**

(52) **U.S. Cl.** **D14/204**; D14/214

(58) **Field of Classification Search** D14/204,
D14/207, 209-216, 356; 181/143-144, 147-148,
181/150, 157, 198-199, 151, 153; 381/300-302,
381/306, 333, 345, 361-364, 386-388

See application file for complete search history.

(56) **References Cited**

U.S. PATENT DOCUMENTS

D252,025 S * 6/1979 Welch et al. D14/214

D253,819 S * 1/1980 Gillum D14/214
D305,892 S * 2/1990 Freed D14/213
D376,363 S * 12/1996 Oberbillig D14/214
6,016,353 A * 1/2000 Guinness 181/145
6,349,792 B1 * 2/2002 Smith et al. 181/199

* cited by examiner

Primary Examiner—Nanda Bondade

(74) *Attorney, Agent, or Firm*—Hodgson Russ LLP

(57) **CLAIM**

The ornamental design for a loudspeaker unit, as shown and described.

DESCRIPTION

FIG. 1 is a front view of a loudspeaker showing our new design;

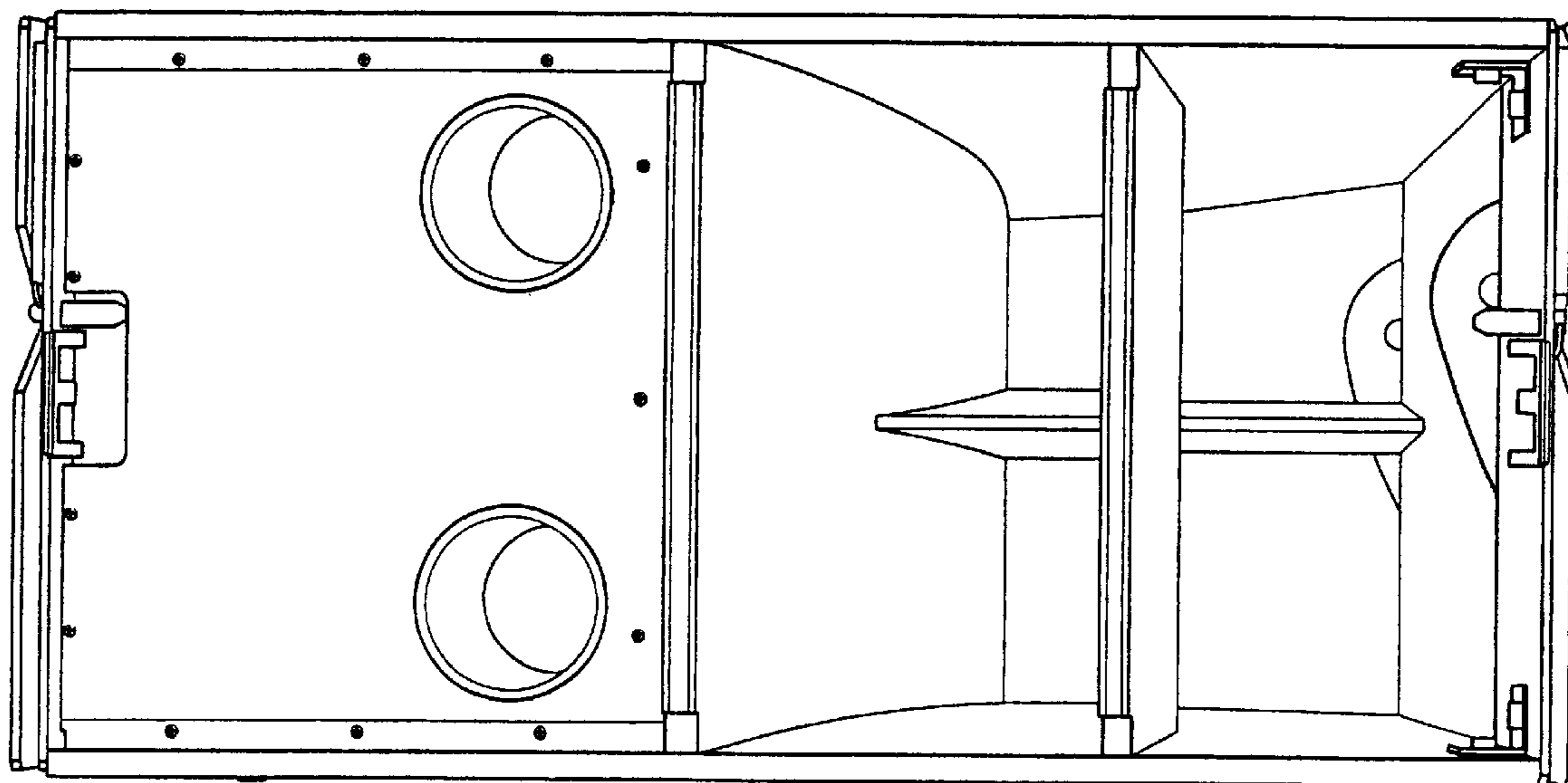
FIG. 2 is end view thereof, the opposite end being a mirror image;

FIG. 3 is a top plan view thereof, the bottom being identical except for the raised portions corresponding to the shallow grooves in the top so that units can be stacked;

FIG. 4 is a rear view thereof; and,

FIG. 5 is a perspective view thereof.

1 Claim, 5 Drawing Sheets



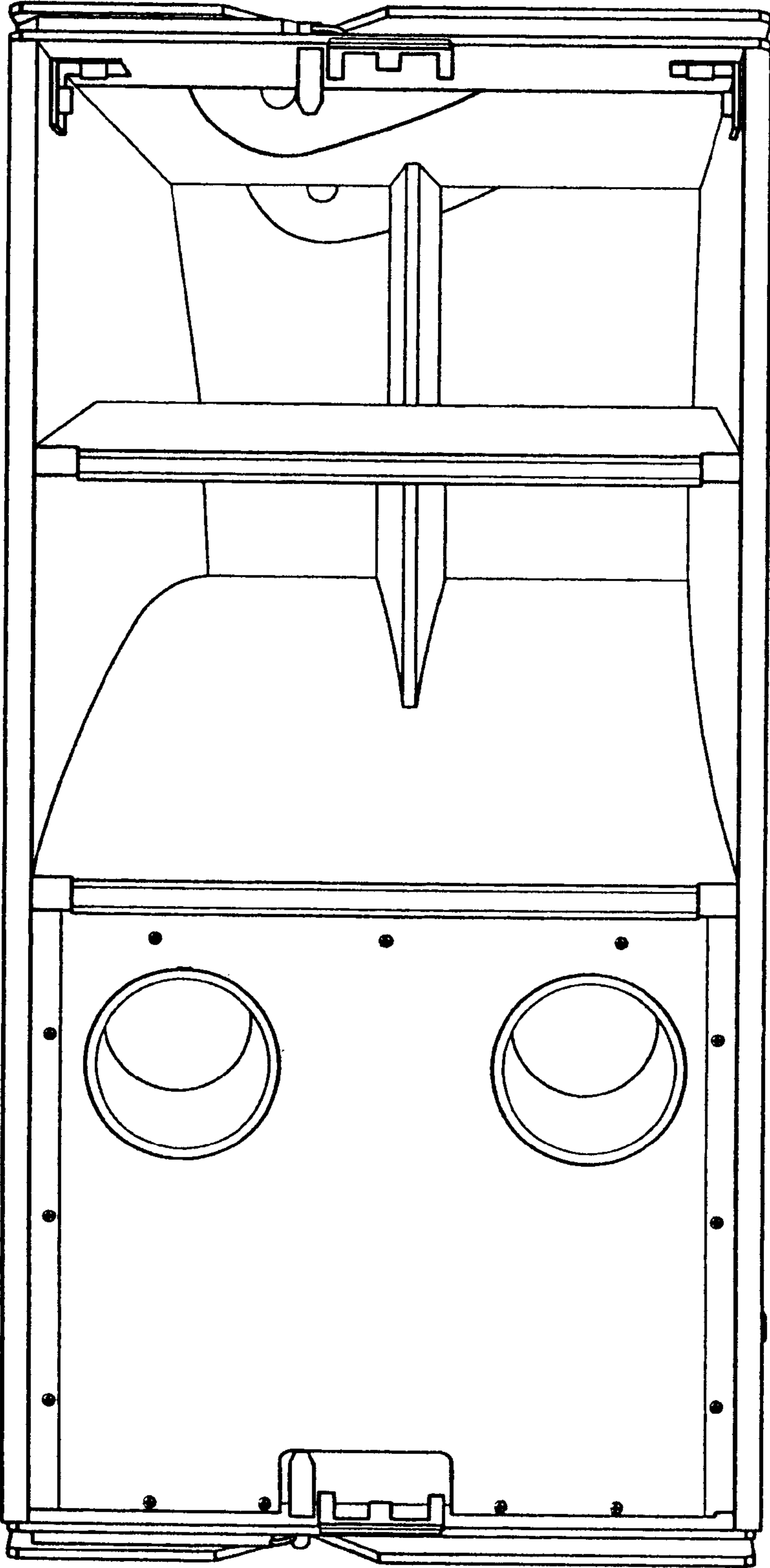


FIG. 1

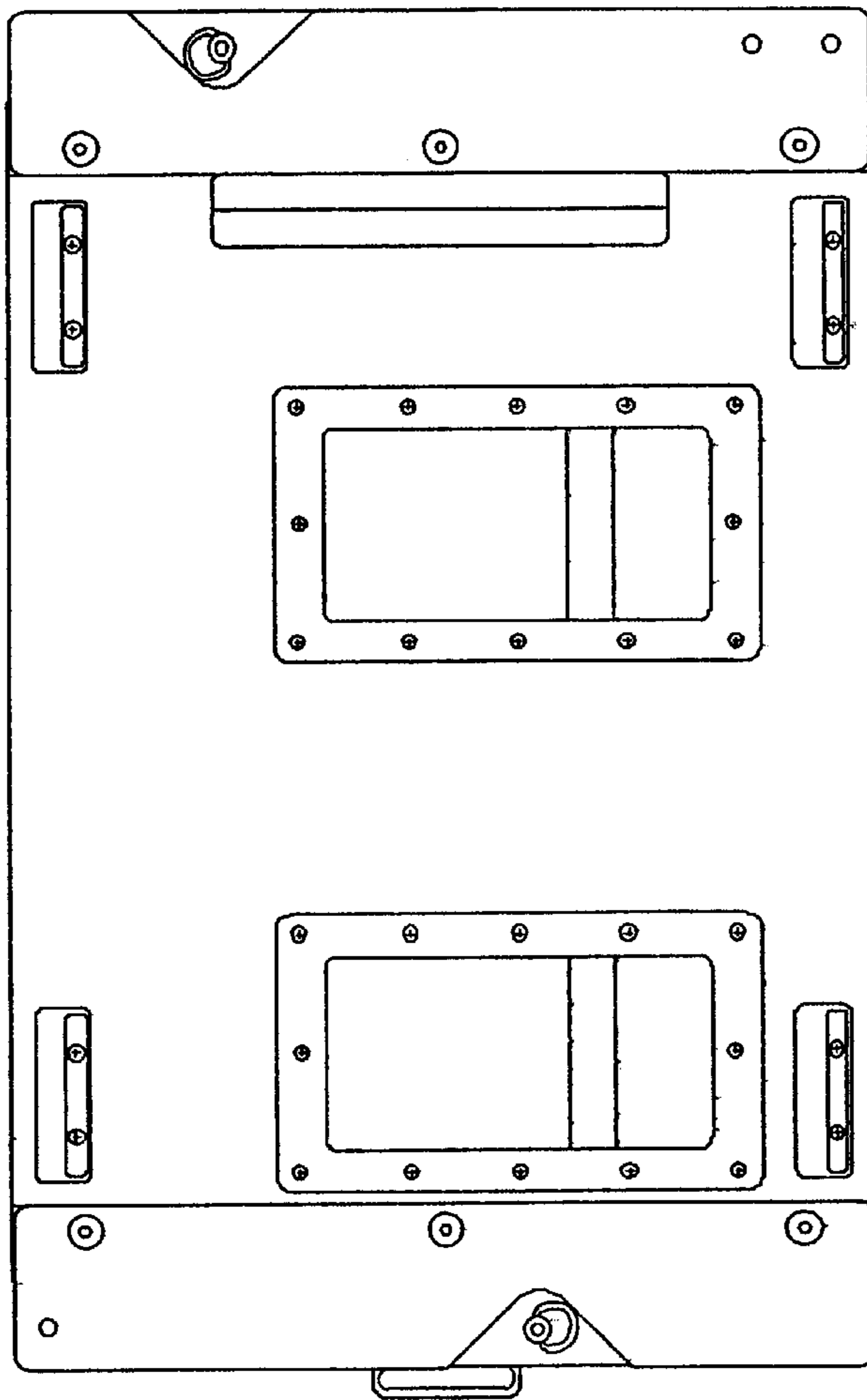


FIG. 2

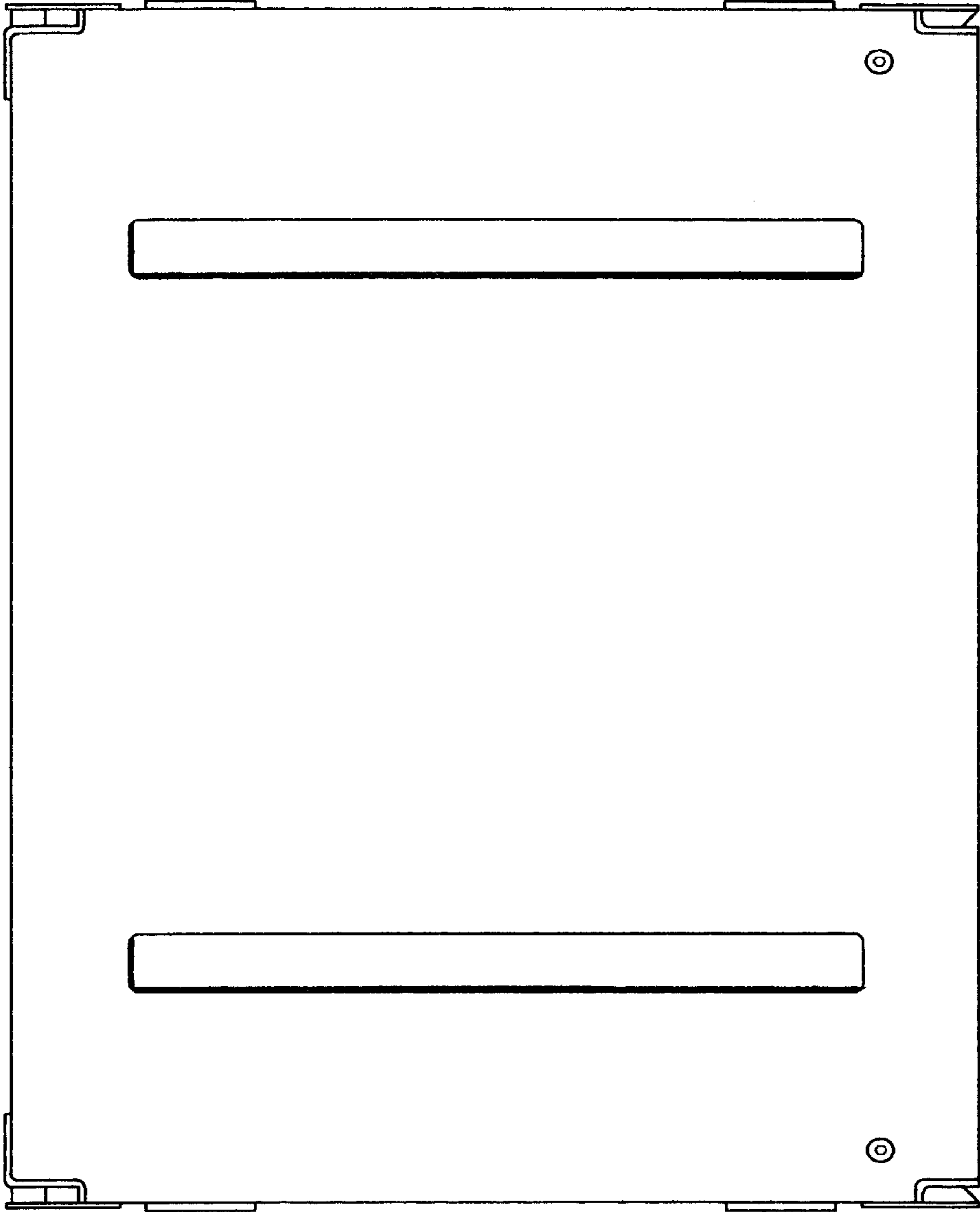


FIG. 3

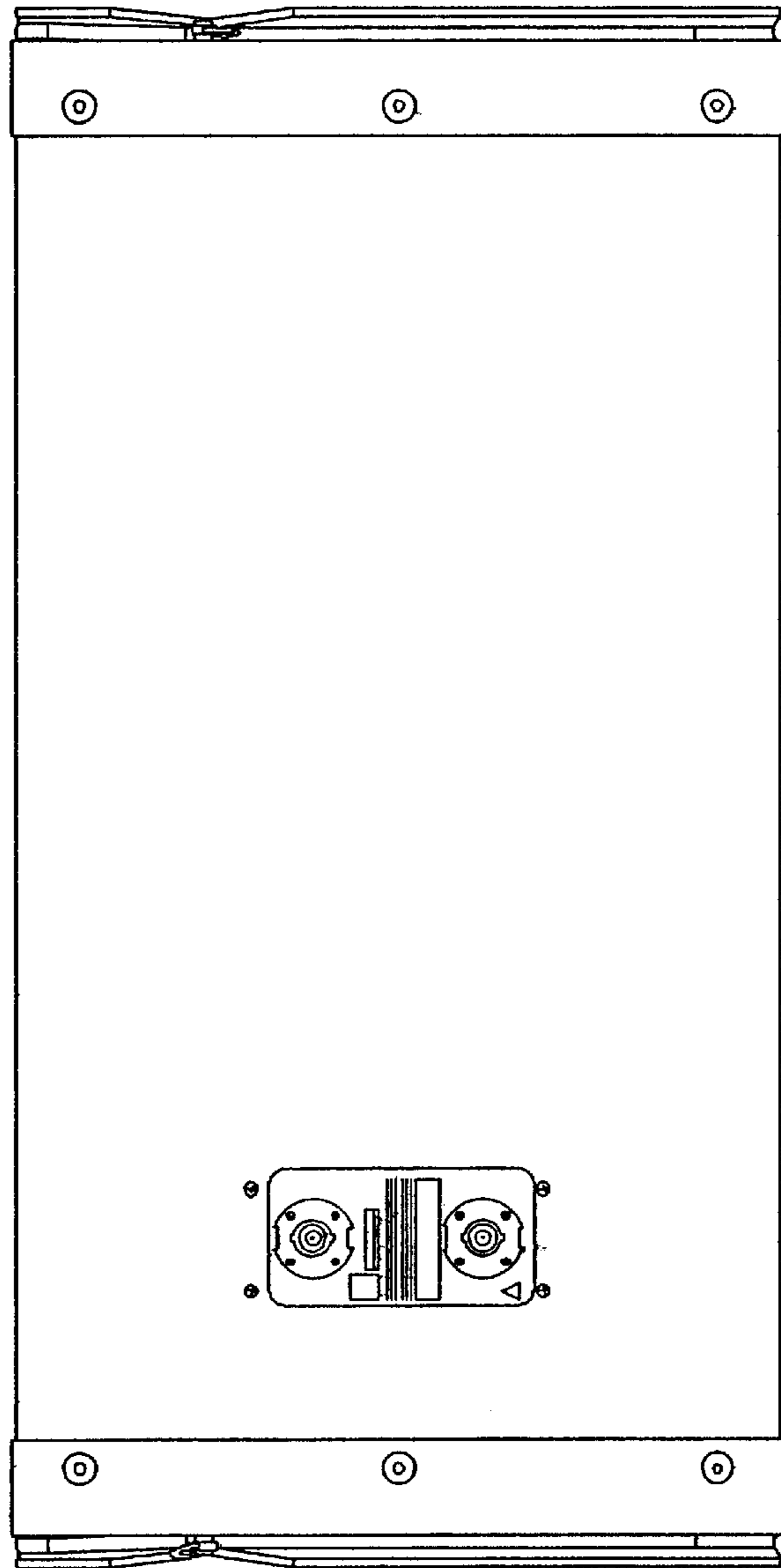


FIG. 4

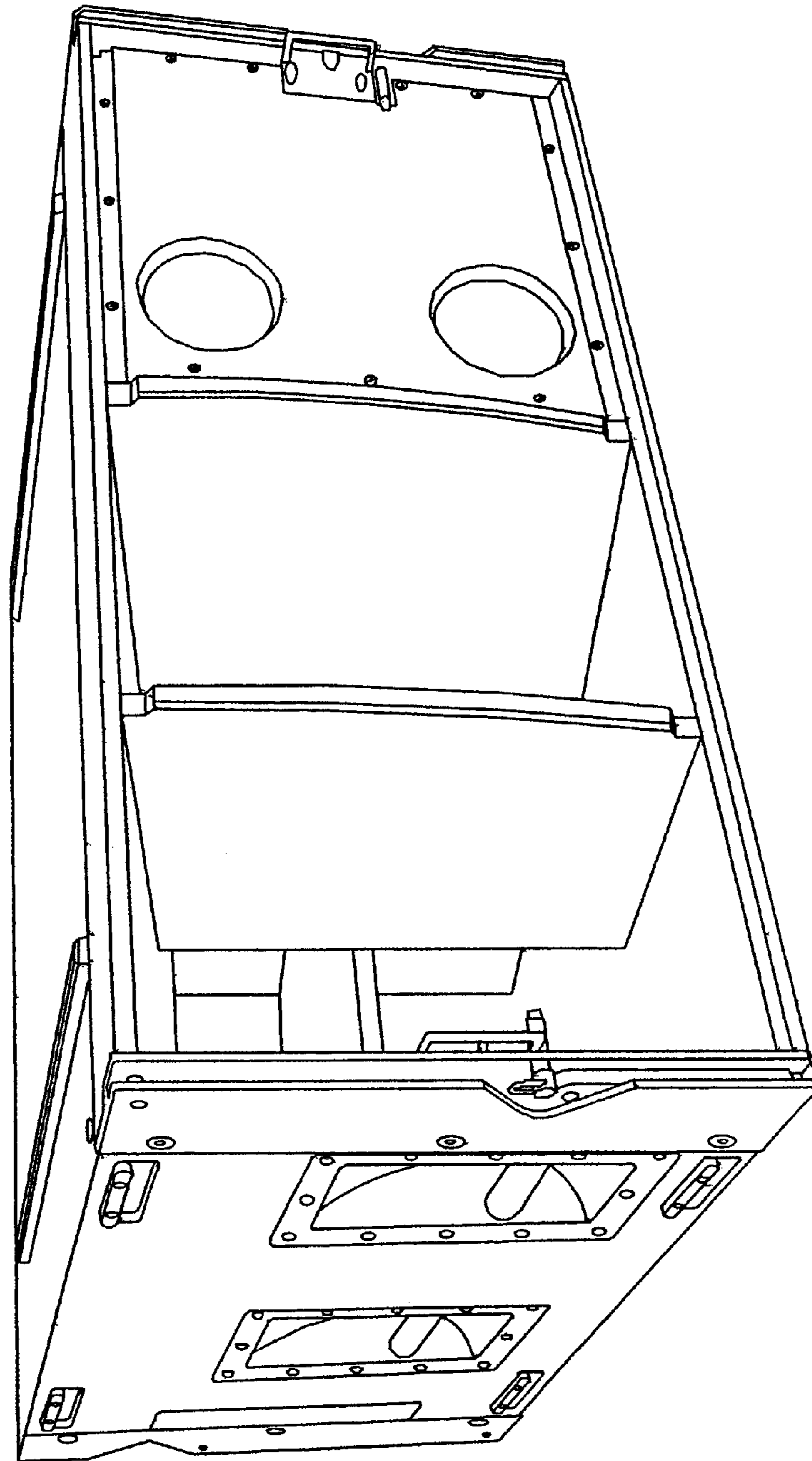


FIG. 5

UNITED STATES PATENT AND TRADEMARK OFFICE
CERTIFICATE OF CORRECTION

PATENT NO. : Des. 517,525 S
APPLICATION NO. : 29/195573
DATED : March 21, 2006
INVENTOR(S) : Baird et al.

Page 1 of 1

It is certified that error appears in the above-identified patent and that said Letters Patent is hereby corrected as shown below:

On the title page: Item (30) Foreign Application Priority Data

“Sep. 15, 2003 (EM) 00007663” - should be

-- Sep. 17, 2003 (EM) 000076633 --

Signed and Sealed this

Twelfth Day of September, 2006

A handwritten signature in black ink on a light gray dotted background. The signature reads "Jon W. Dudas" in a cursive style.

JON W. DUDAS

Director of the United States Patent and Trademark Office