



US00D517512S

(12) **United States Design Patent**  
**Peng**

(10) **Patent No.:** **US D517,512 S**  
(45) **Date of Patent:** **\*\* Mar. 21, 2006**

- (54) **AUDIO-VIDEO DISPLAY DEVICE**
- (75) **Inventor:** **Juen Tien Peng, Chung Li (TW)**
- (73) **Assignee:** **Action Electronics Co., Ltd., Chung Li (TW)**
- (\*\*) **Term:** **14 Years**
- (21) **Appl. No.:** **29/211,959**
- (22) **Filed:** **Aug. 25, 2004**
- (51) **LOC (8) Cl.** ..... **14-03**
- (52) **U.S. Cl.** ..... **D14/129**
- (58) **Field of Classification Search** ..... D14/125-134,  
D14/239, 371, 136, 374-376; 312/7.2; 348/836,  
348/838, 180, 184, 325, 739; 341/12; 248/917-924,  
248/465; 345/104, 133, 156, 168, 87, 173;  
720/605, 669, 600, 655; 369/99, 197; 455/344-347  
See application file for complete search history.

- D502,152 S \* 2/2005 Peng ..... D14/126
- D502,452 S \* 3/2005 Peng ..... D14/129
- D503,160 S \* 3/2005 Peng ..... D14/129
- D506,733 S \* 6/2005 Boyer, Jr. .... D14/126

**OTHER PUBLICATIONS**

Mobile Planet, cover page, 2003.\*  
White Oak Pharmacy, p. 62, 2003.\*

\* cited by examiner

*Primary Examiner*—Raphael Barkai  
(74) *Attorney, Agent, or Firm*—Rosenberg, Klein & Lee

(57) **CLAIM**

The ornamental design for an audio-video display device, as shown and described.

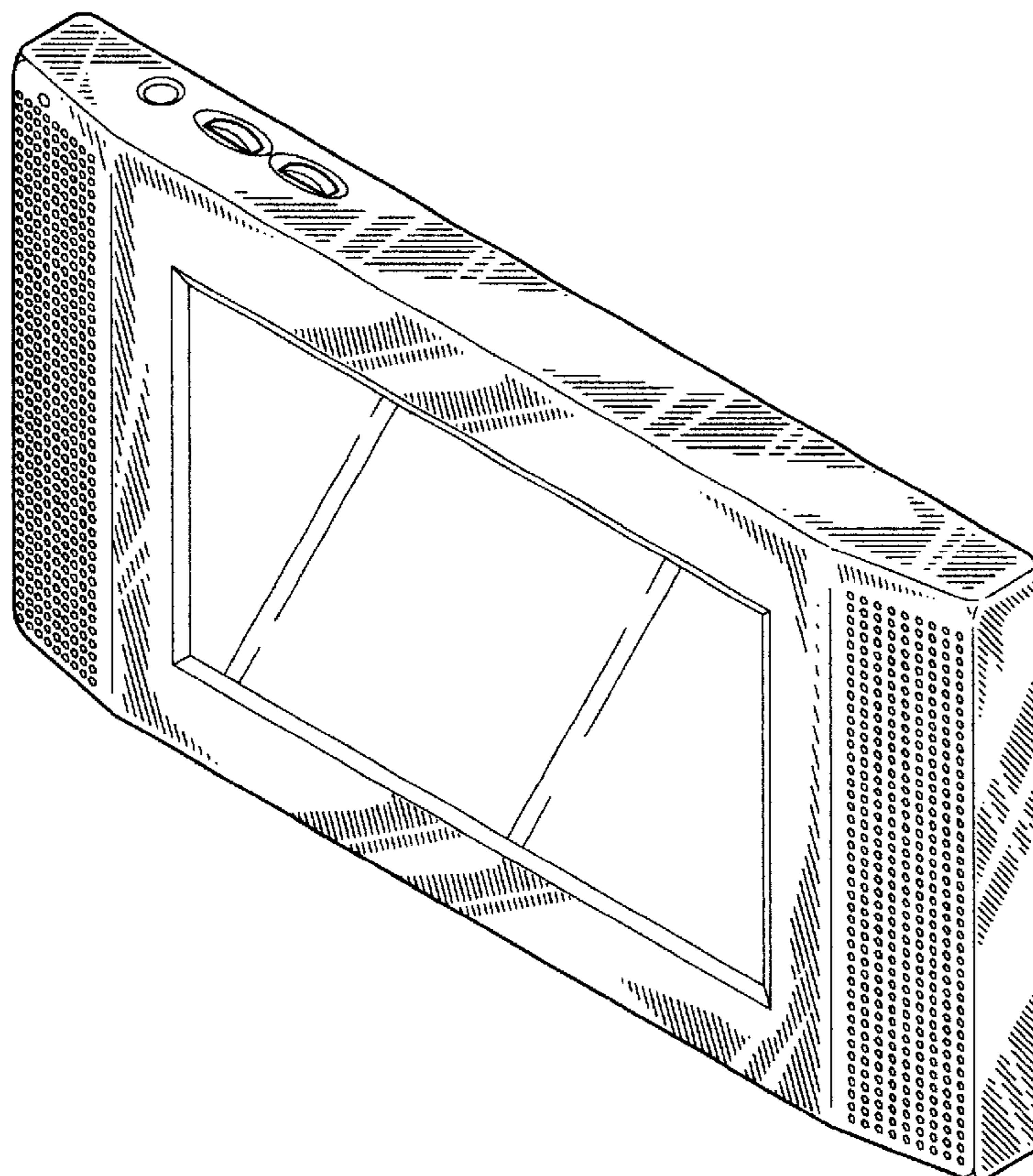
**DESCRIPTION**

FIG. 1 is a perspective view of audio-video display device showing my design.  
FIG. 2 is a front elevational view thereof;  
FIG. 3 is rear elevational view thereof;  
FIG. 4 is left elevational view thereof;  
FIG. 5 is a right elevational view thereof;  
FIG. 6 is a top view thereof; and,  
FIG. 7 is a bottom view thereof.

**1 Claim, 4 Drawing Sheets**

(56) **References Cited**  
**U.S. PATENT DOCUMENTS**

- D324,040 S \* 2/1992 Saito et al. .... D14/126
- D412,900 S \* 8/1999 Utsugi ..... D14/136
- D415,147 S \* 10/1999 Adachi ..... D14/132
- D468,276 S \* 1/2003 Chang ..... D14/126
- D501,832 S \* 2/2005 Peng ..... D14/129



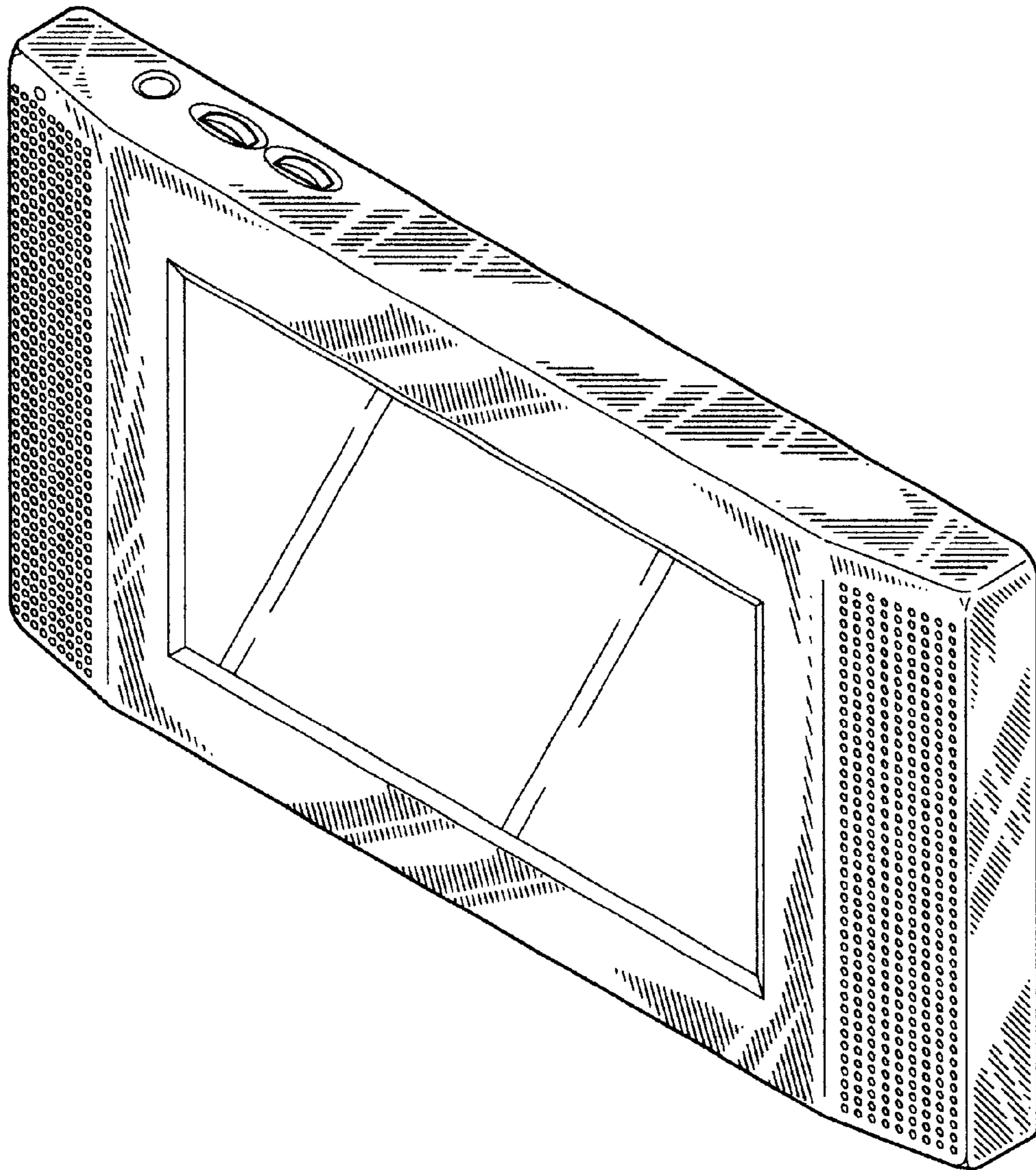


FIG. 1

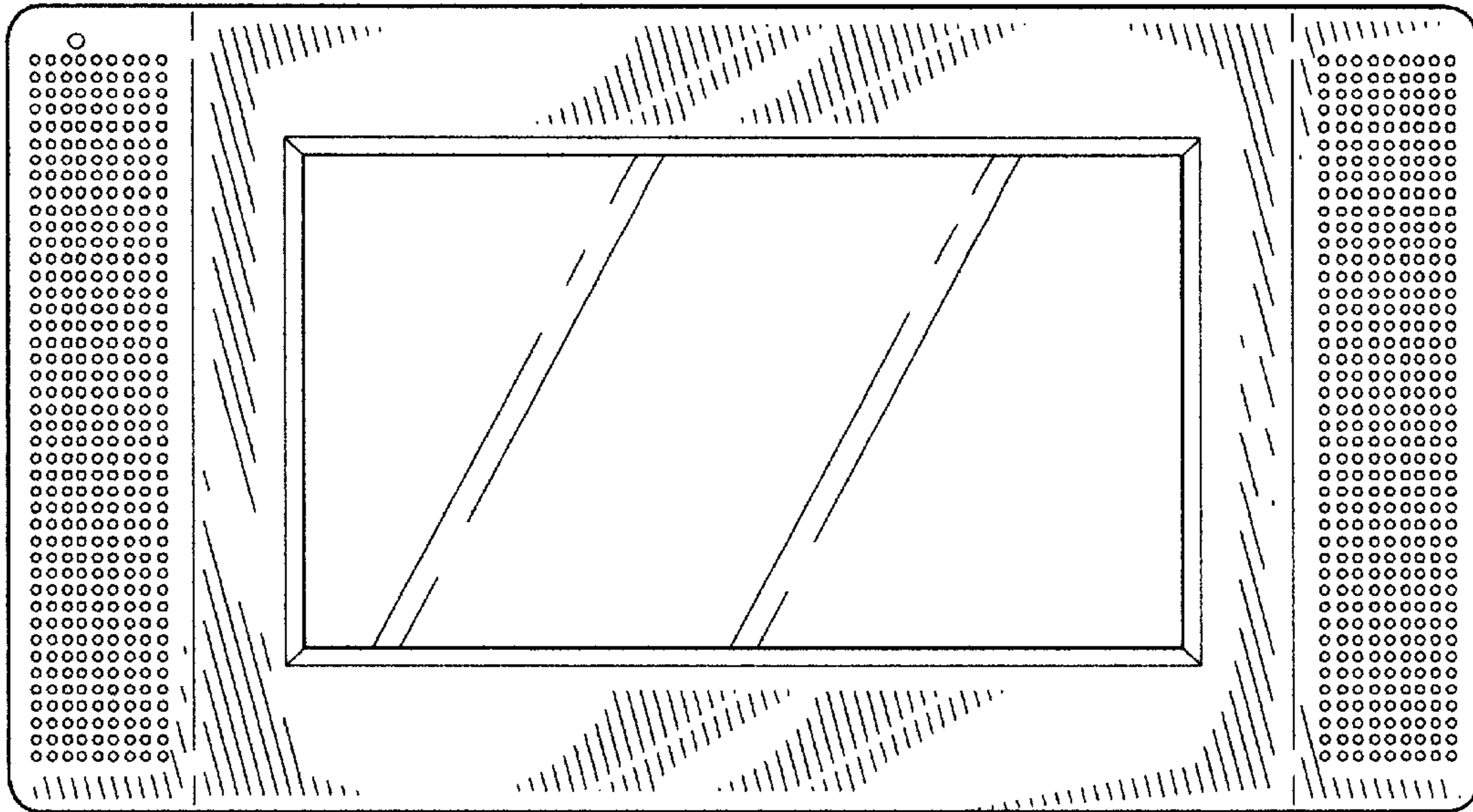


FIG. 2

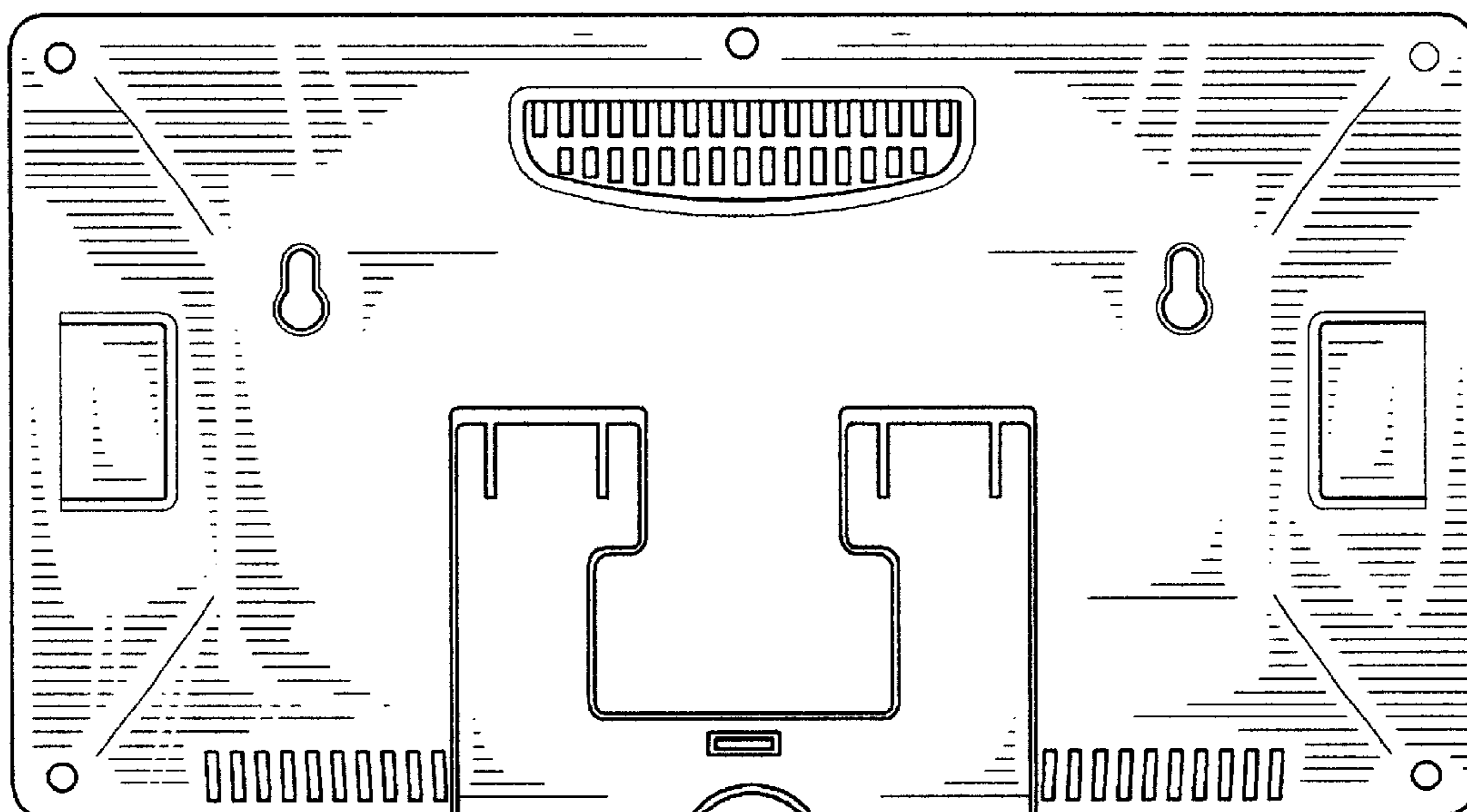


FIG. 3



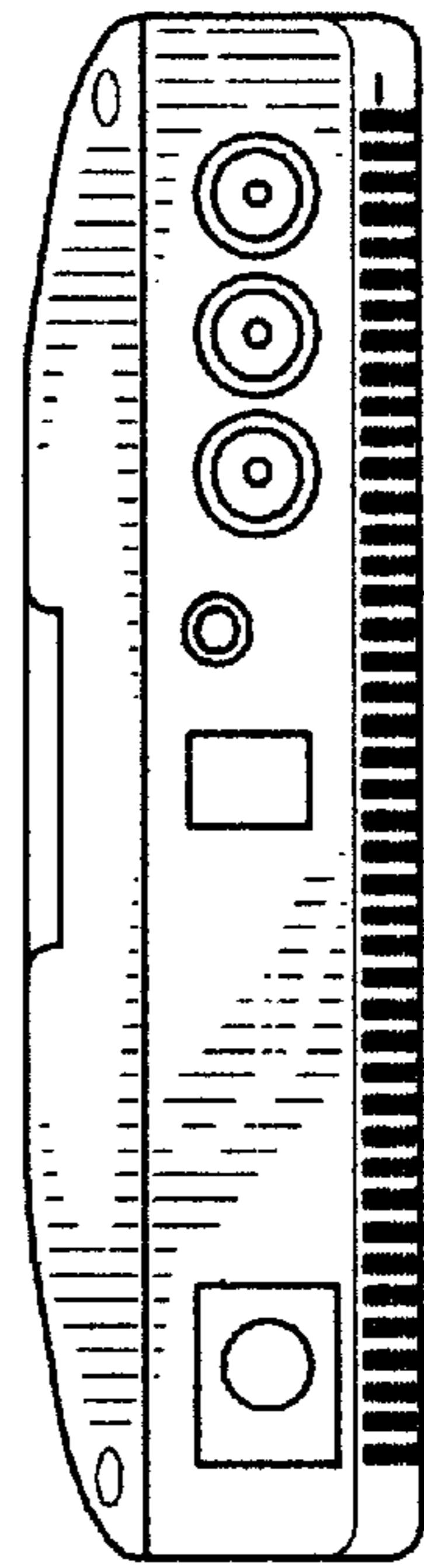


FIG. 4

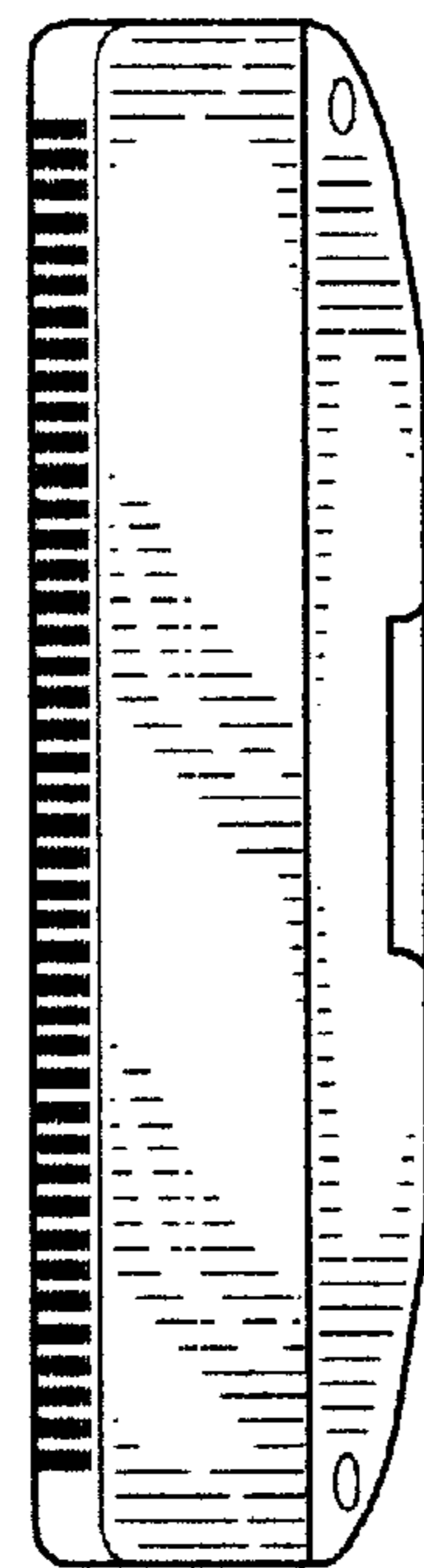


FIG. 5

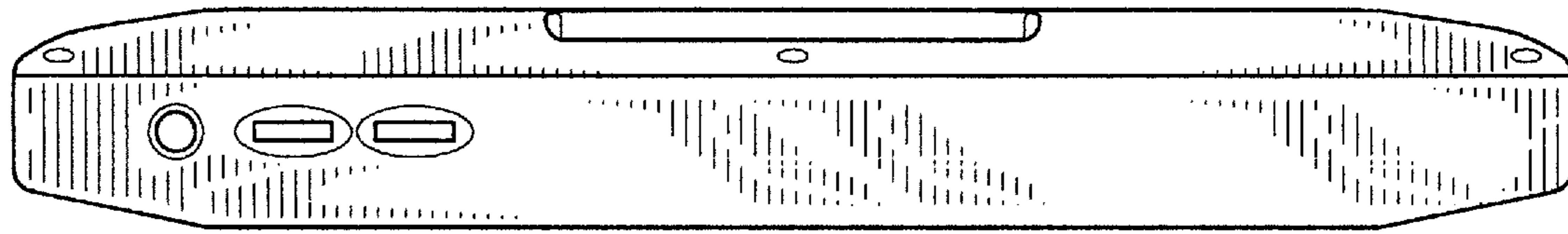


FIG. 6

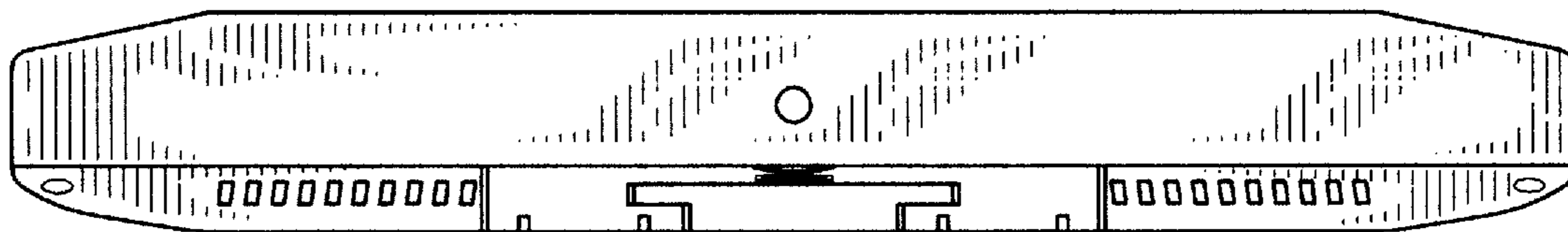


FIG. 7