



US00D517511S

(12) **United States Design Patent**
Lin

(10) **Patent No.:** **US D517,511 S**
(45) **Date of Patent:** **** Mar. 21, 2006**

(54) **TELEVISION SET**

(75) Inventor: **Roger Lin**, Taipei (TW)

(73) Assignee: **Hannspree, Inc.**, Taipei (TW)

(**) Term: **14 Years**

(21) Appl. No.: **29/227,535**

(22) Filed: **Apr. 13, 2005**

(30) **Foreign Application Priority Data**

Nov. 9, 2004 (CN) 093306641

(51) **LOC (8) Cl.** **14-03**

(52) **U.S. Cl.** **D14/126; D14/129**

(58) **Field of Classification Search** D14/125-134,
D14/239, 371, 136, 374-376; 312/7.2; 348/836,
348/838, 180, 184, 325, 739; 341/12; 248/917-924,
248/465; 345/104, 133, 156, 168, 87, 173;
720/605, 669, 600, 655; 369/99, 197; 455/344-347
See application file for complete search history.

(56) **References Cited**

U.S. PATENT DOCUMENTS

D293,579 S * 1/1988 Davis D14/375
6,020,867 A * 2/2000 Shimada et al. 345/87
D439,621 S * 3/2001 Podd et al. D21/329

D458,910 S * 6/2002 Kita D14/126
D464,650 S * 10/2002 Sun D14/375
D467,620 S * 12/2002 Lin D14/371
D469,089 S * 1/2003 Lin D14/371
D473,867 S * 4/2003 Lin D14/371
D482,031 S * 11/2003 Lin D14/371
D502,452 S * 3/2005 Peng D14/129
D506,733 S * 6/2005 Boyer, Jr. D14/126

* cited by examiner

Primary Examiner—Raphael Barkai

(74) *Attorney, Agent, or Firm*—Troxell Law Office, PLLC

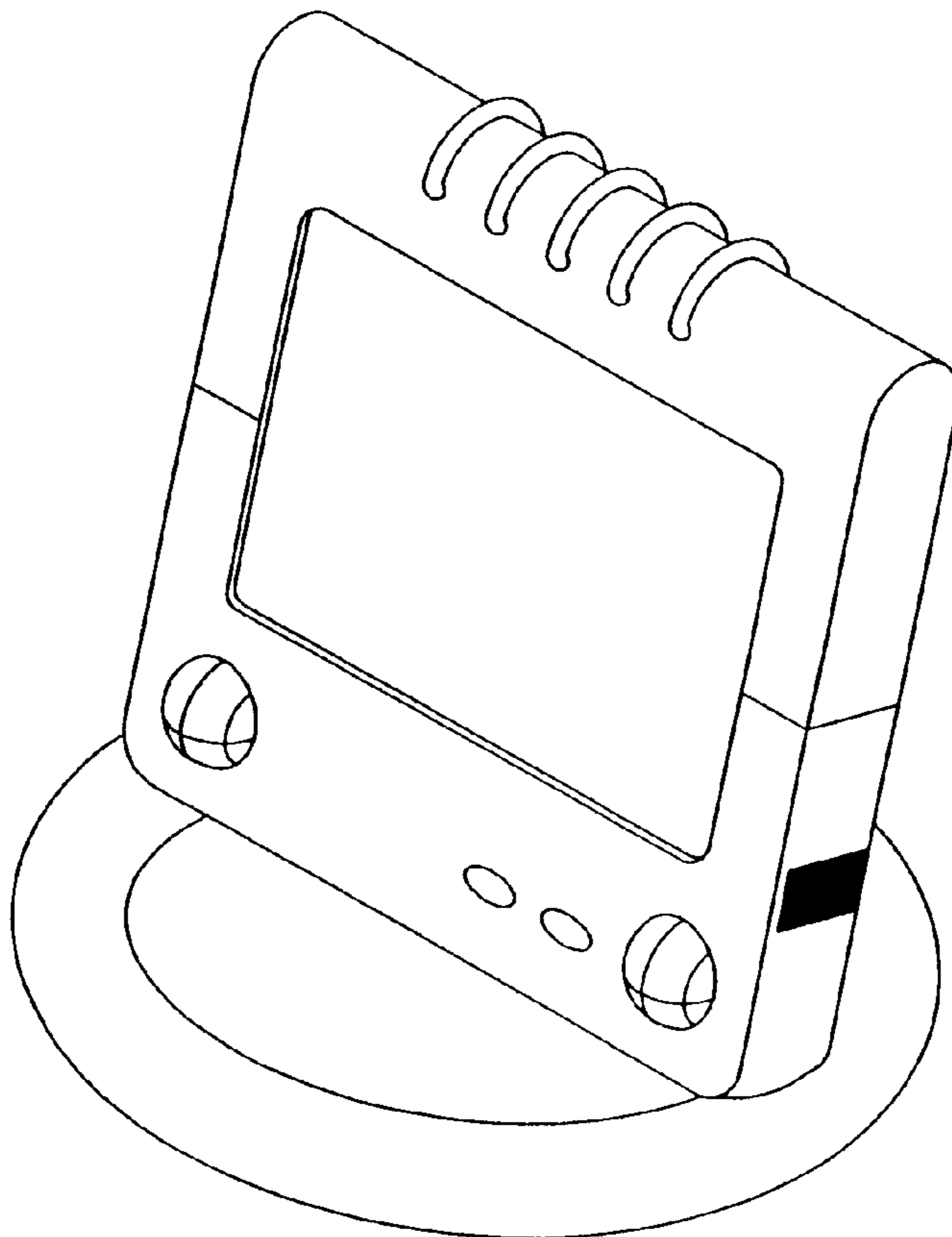
(57) **CLAIM**

The ornamental design for a television set, as shown and described.

DESCRIPTION

FIG. 1 is a perspective view of television set showing my design;
FIG. 2 is another perspective view thereof;
FIG. 3 is a front view thereof;
FIG. 4 is a top view thereof;
FIG. 5 is a right side view thereof;
FIG. 6 is a rear view thereof; and,
FIG. 7 is a left side view thereof.

1 Claim, 4 Drawing Sheets



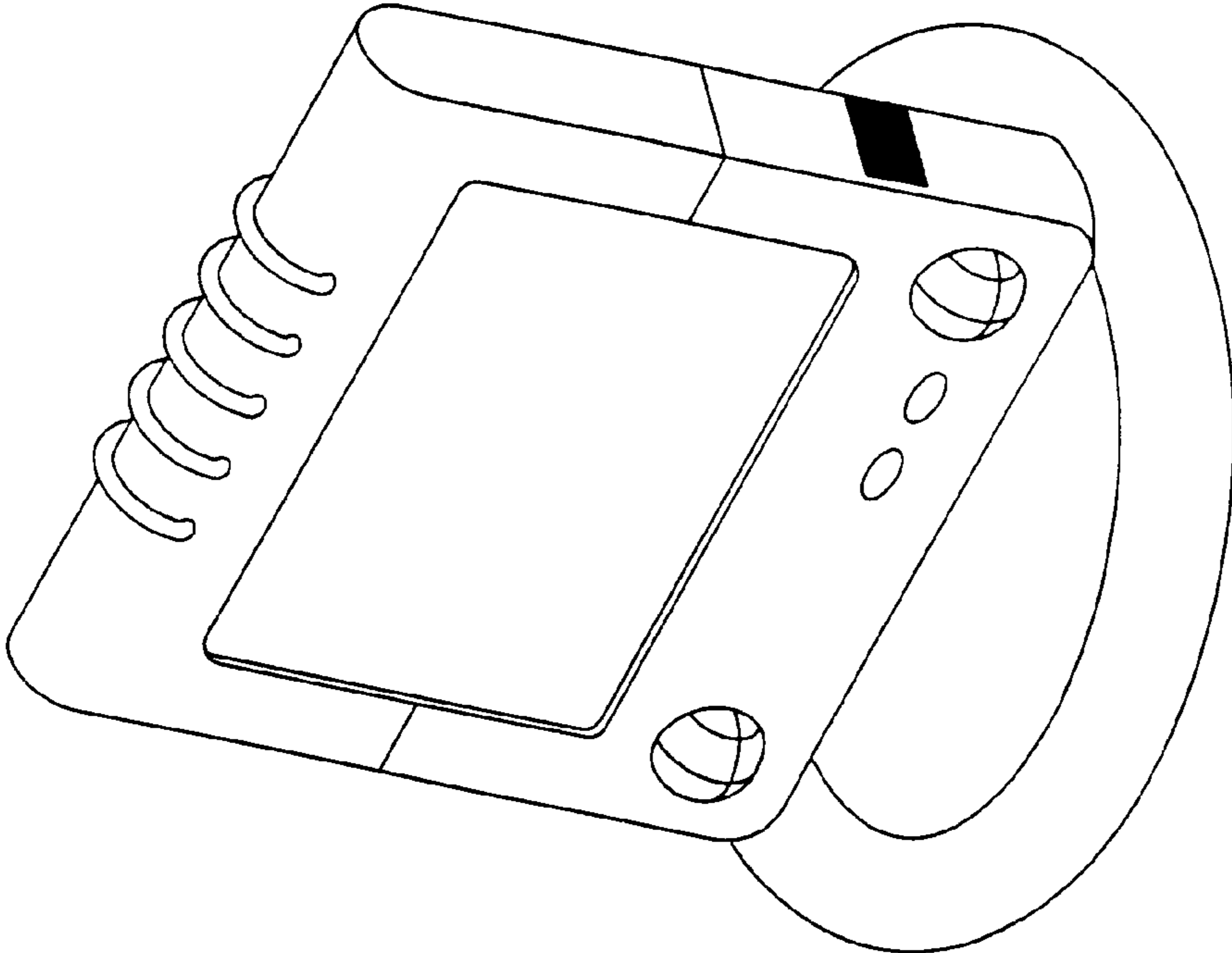


FIG. 1

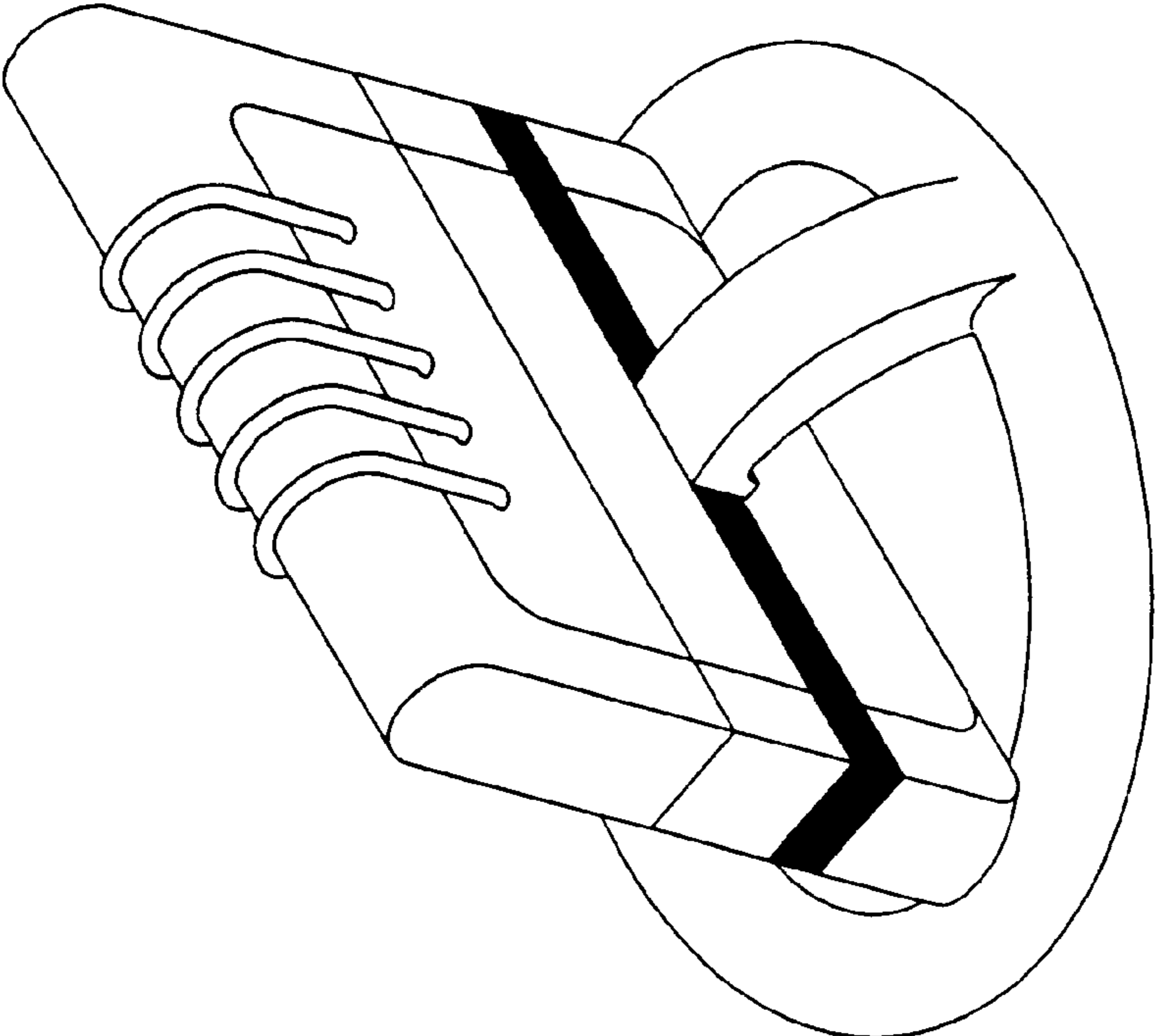


FIG. 2

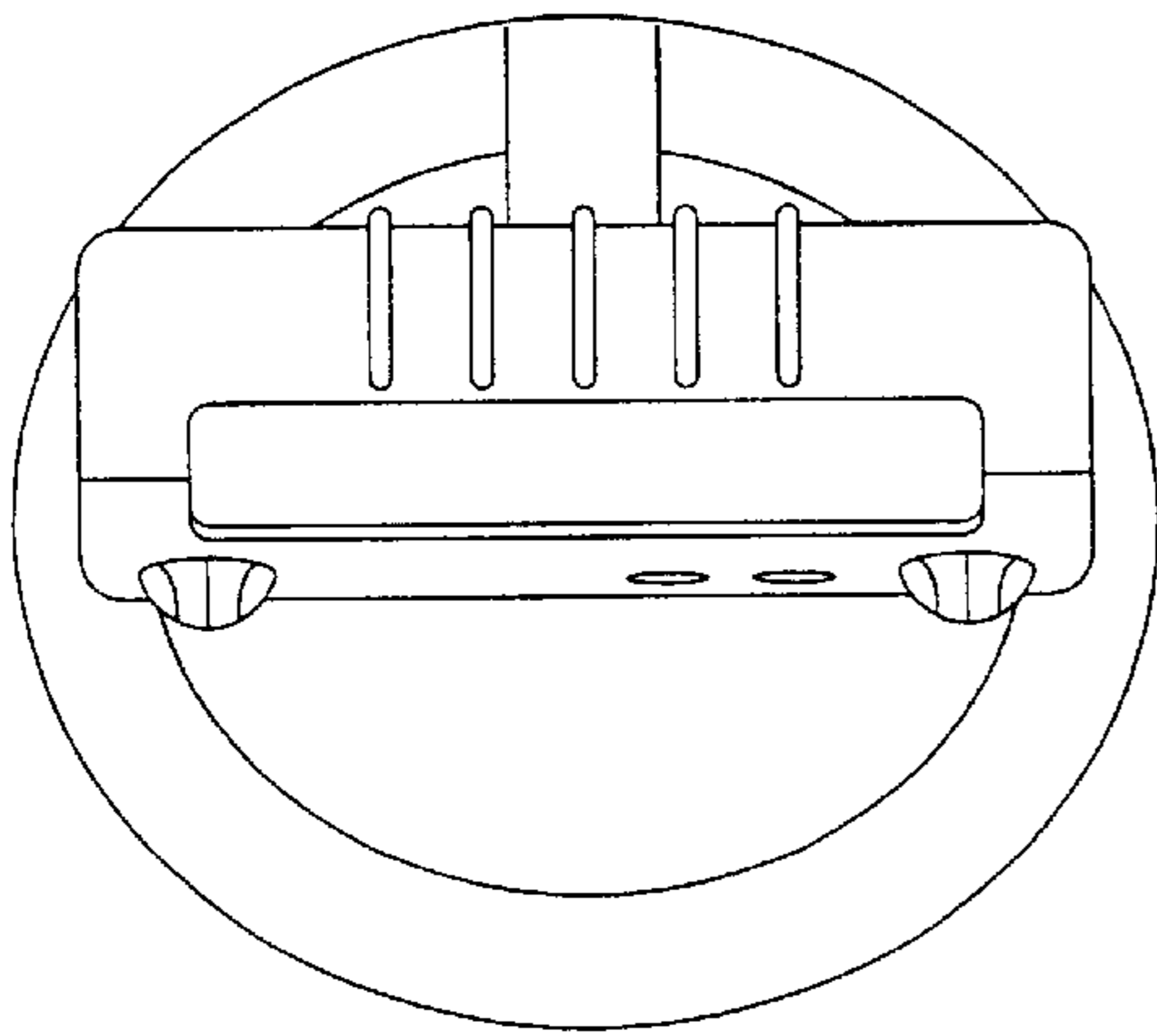


FIG. 4

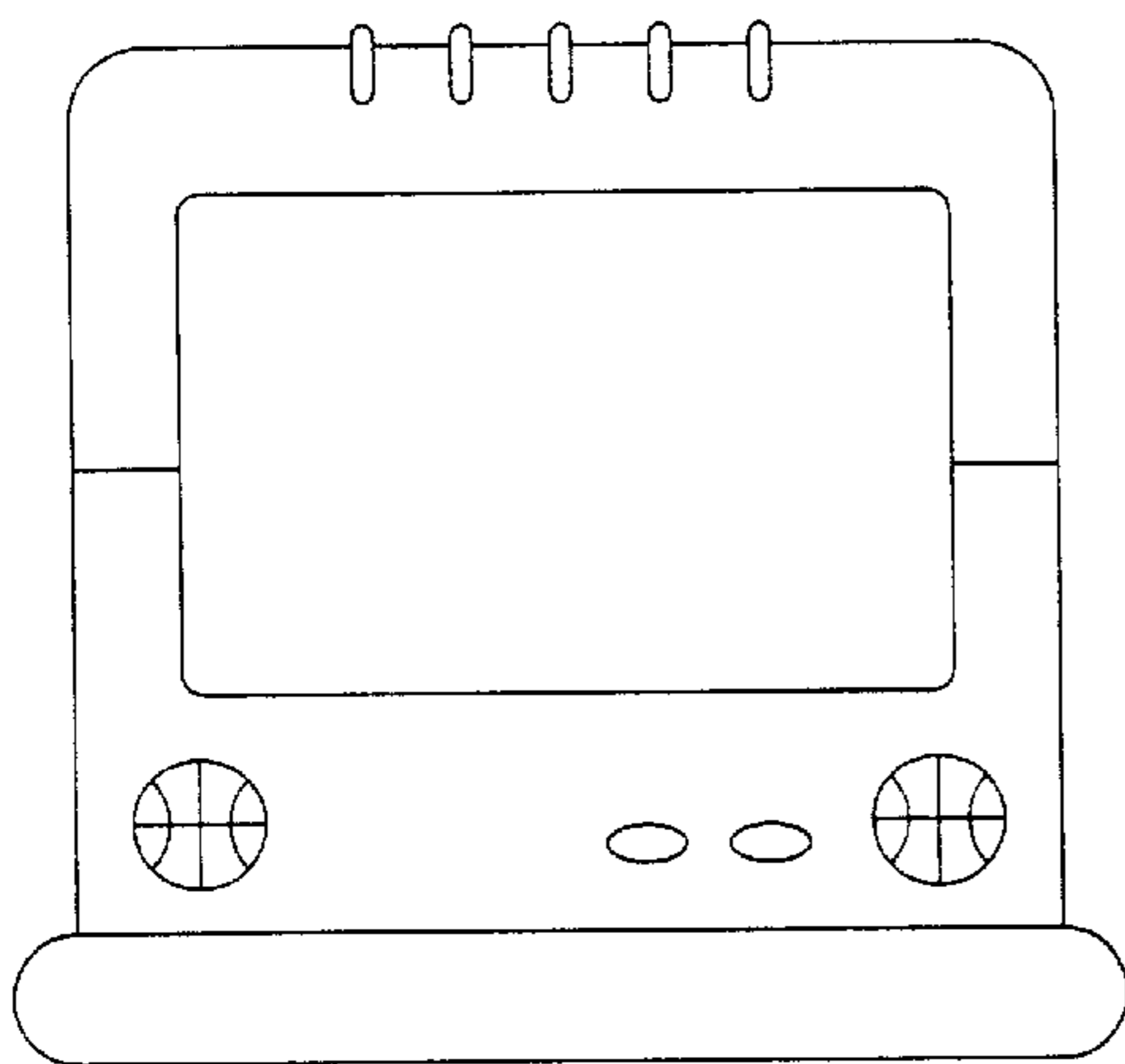


FIG. 3

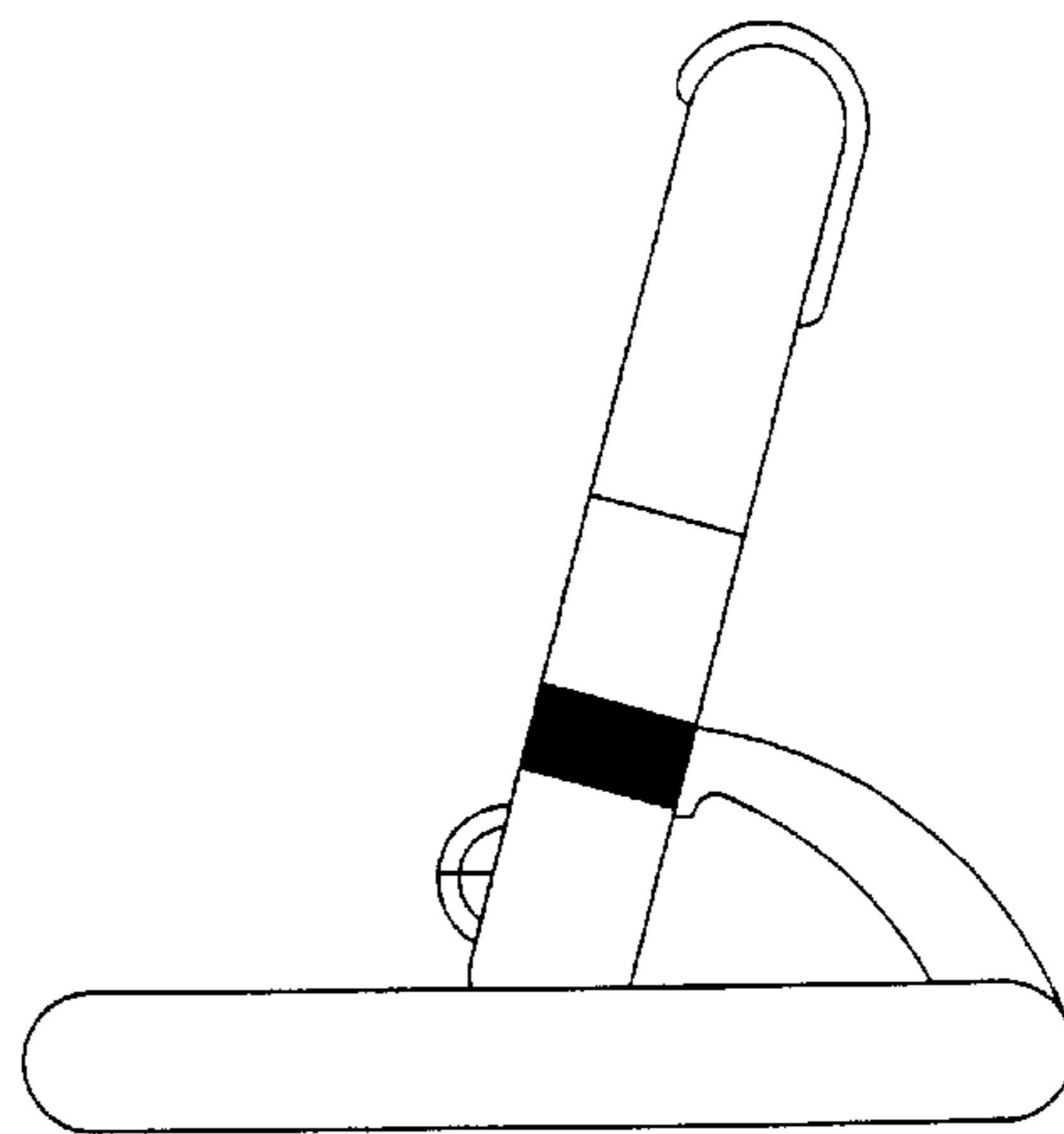


FIG. 5

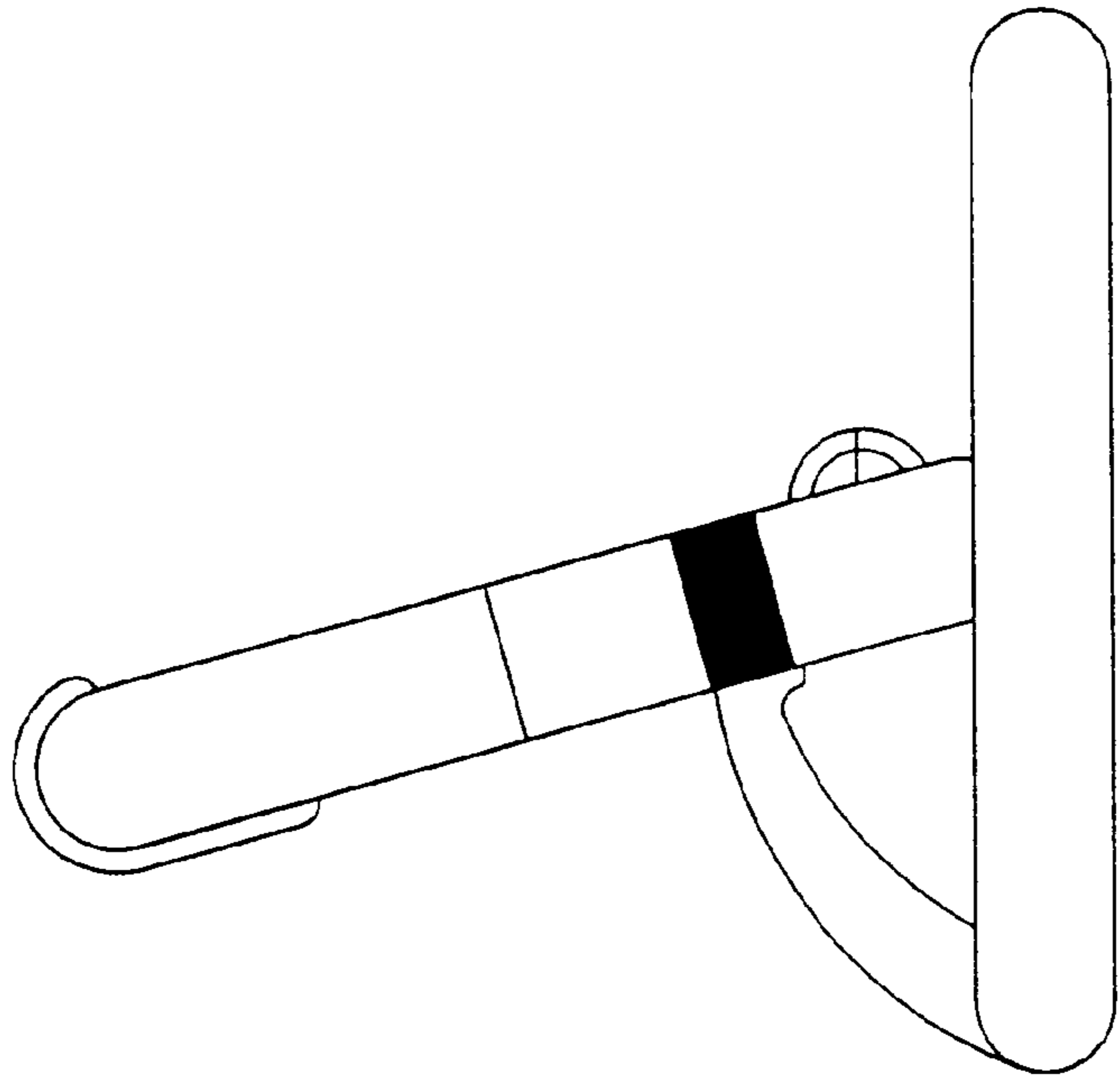


FIG. 7

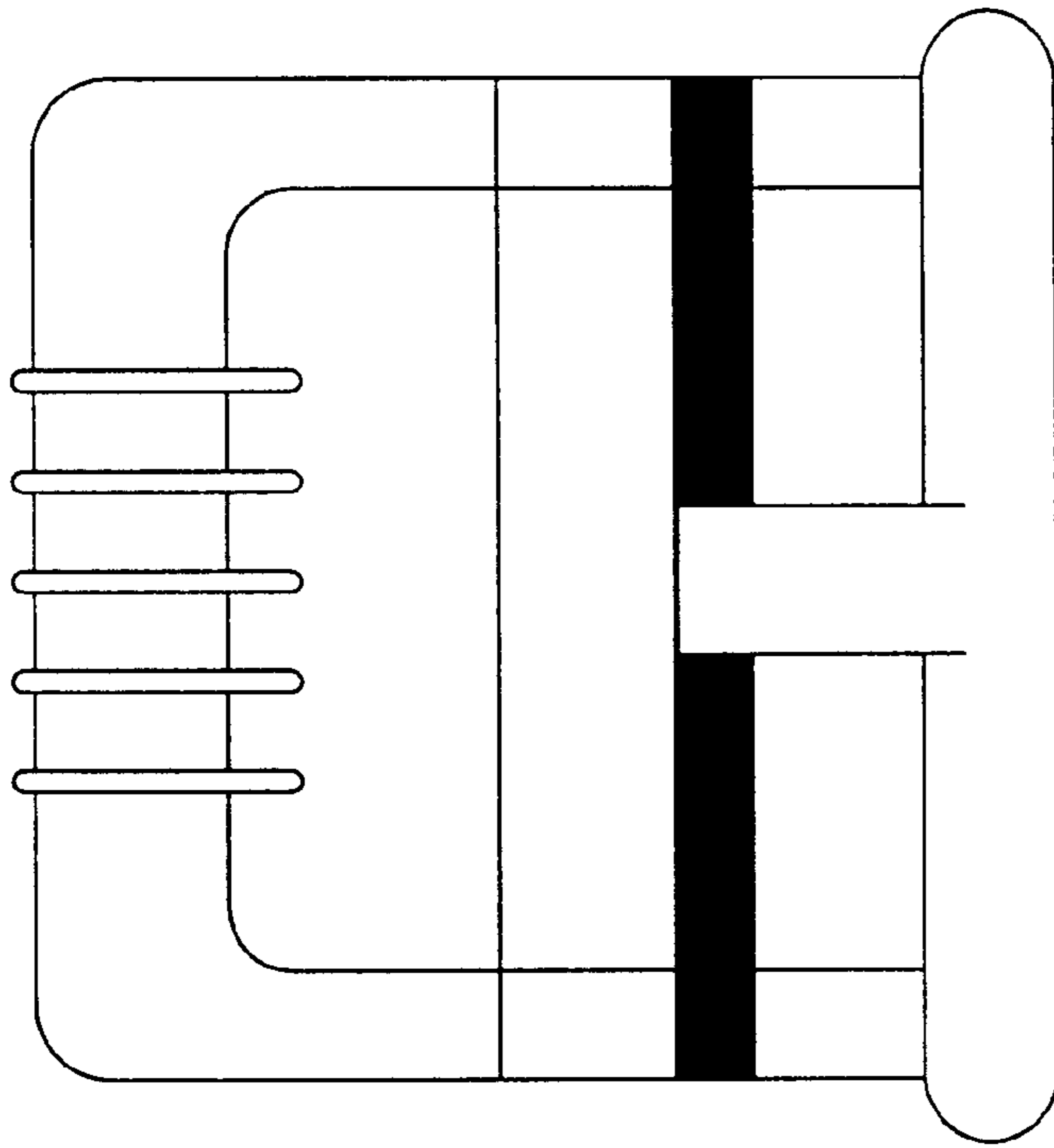


FIG. 6