



US00D517508S

(12) **United States Design Patent**  
**Inaba**

(10) **Patent No.:** **US D517,508 S**  
(45) **Date of Patent:** **\*\* Mar. 21, 2006**

(54) **TELEVISION RECEIVER**

(75) Inventor: **Junichi Inaba**, Tokyo (JP)

(73) Assignee: **Pioneer Corporation**, Tokyo (JP)

(\*\*) Term: **14 Years**

(21) Appl. No.: **29/212,890**

(22) Filed: **Sep. 10, 2004**

**Related U.S. Application Data**

(62) Division of application No. 29/189,105, filed on Aug. 29, 2003, now Pat. No. Des. 497,627.

(30) **Foreign Application Priority Data**

Mar. 4, 2003 (JP) ..... 2003-005502  
Mar. 4, 2003 (JP) ..... 2003-005503

(51) **LOC (8) Cl.** ..... **14-03**

(52) **U.S. Cl.** ..... **D14/126**

(58) **Field of Classification Search** ..... D14/125-134,  
D14/239, 371, 136, 374-376; 312/7.2; 348/836,  
348/838, 180, 184, 325, 739; 341/12; 248/917-924,  
248/465; 345/104, 133, 156, 168, 87, 173;  
720/605, 669, 600, 655; 369/99, 197; 455/344-347  
See application file for complete search history.

(56) **References Cited**

**U.S. PATENT DOCUMENTS**

D460,056 S \* 7/2002 Niitsu ..... D14/126

D479,209 S \* 9/2003 Teng et al. .... D14/126  
D494,941 S \* 8/2004 Kim ..... D14/126  
D499,386 S \* 12/2004 Yang ..... D14/126  
D500,991 S \* 1/2005 Niitsu ..... D14/126  
D505,403 S \* 5/2005 Kita ..... D14/134

**FOREIGN PATENT DOCUMENTS**

JP 1157263 11/2002  
JP 1169243 3/2003

\* cited by examiner

*Primary Examiner*—Raphael Barkai

(74) *Attorney, Agent, or Firm*—Sughrue Mion, PLLC

(57) **CLAIM**

The ornamental design for a television receiver, as shown.

**DESCRIPTION**

FIG. 1 is a top plan view of a television receiver according to my new design;

FIG. 2 is a front elevational view thereof;

FIG. 3 is a bottom plan view thereof;

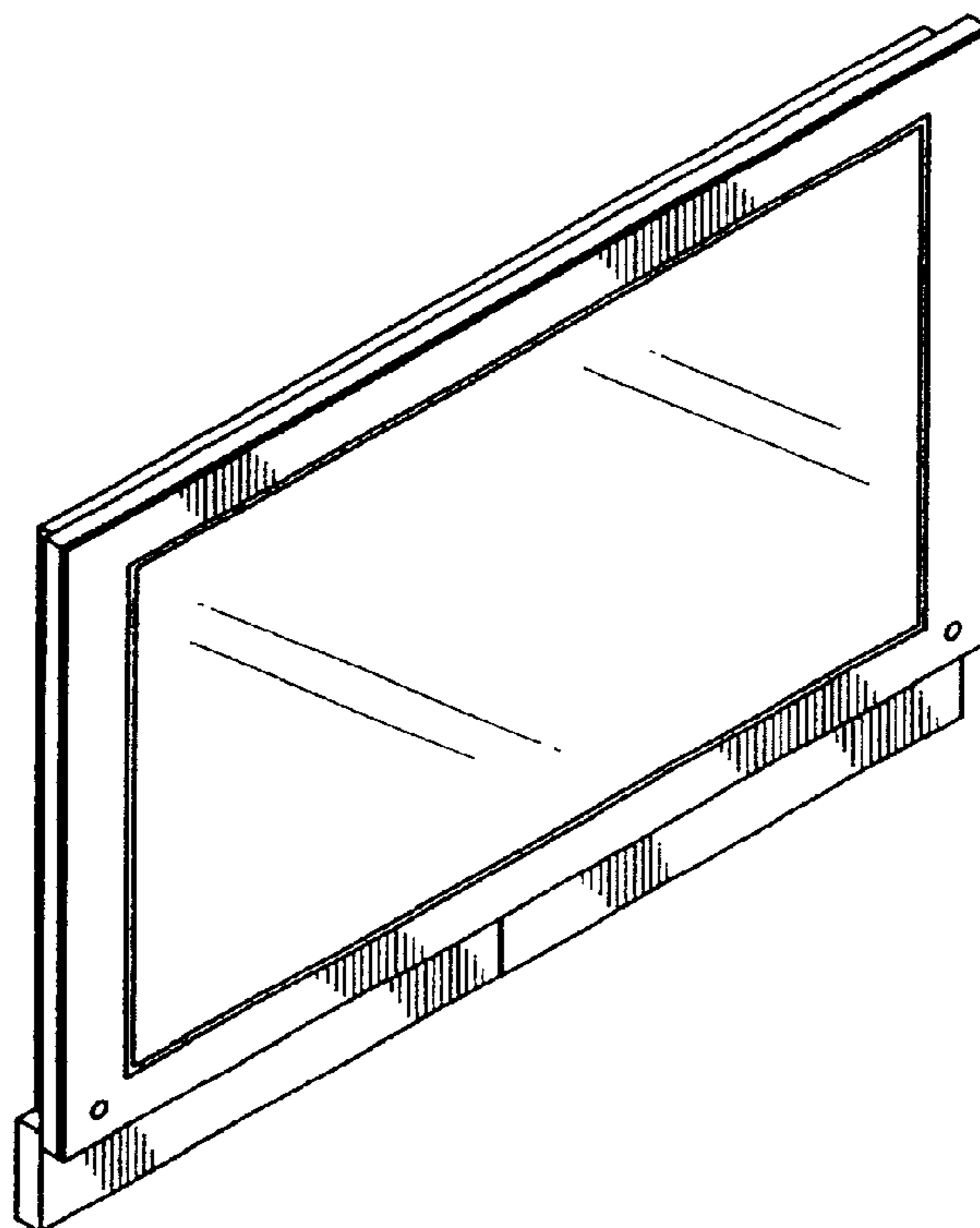
FIG. 4 is a rear elevational view thereof;

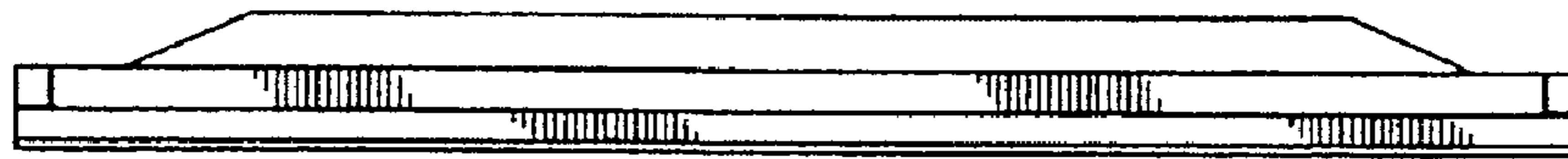
FIG. 5 is a left side elevational view thereof;

FIG. 6 is a right side elevational view thereof; and,

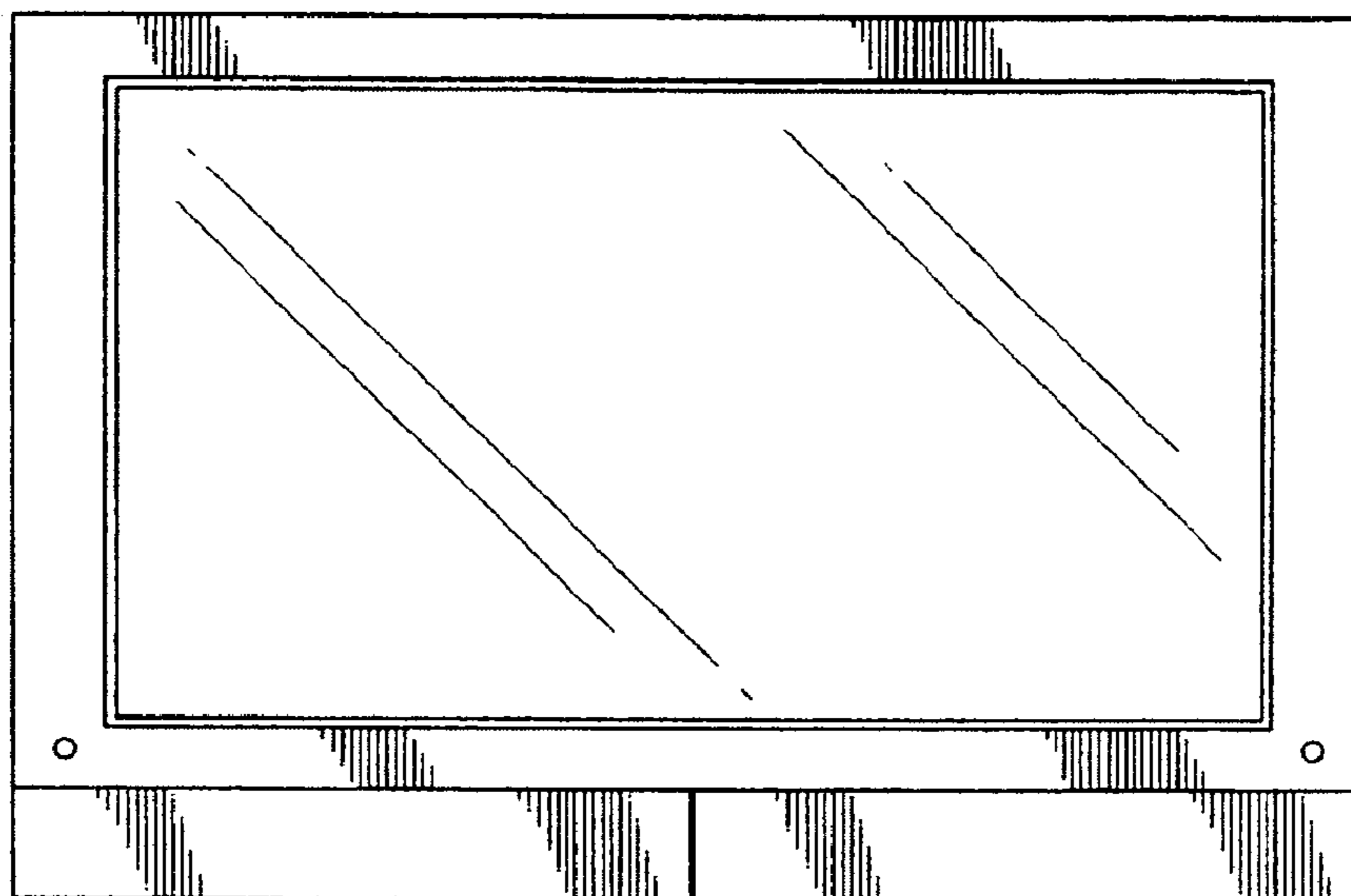
FIG. 7 is a perspective view top, front and left side thereof.

**1 Claim, 3 Drawing Sheets**





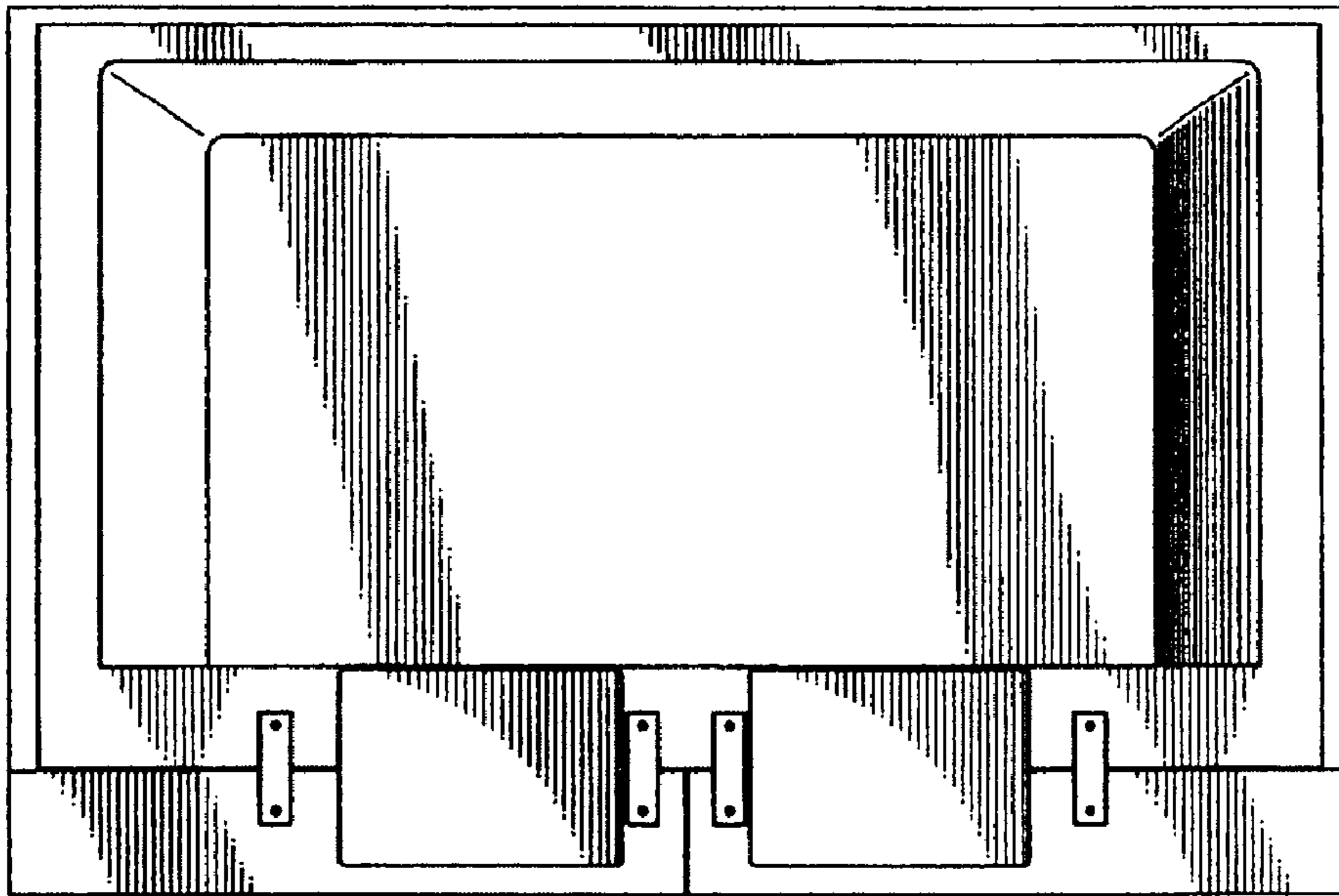
*Fig. 1*



*Fig. 2*



*Fig. 3*



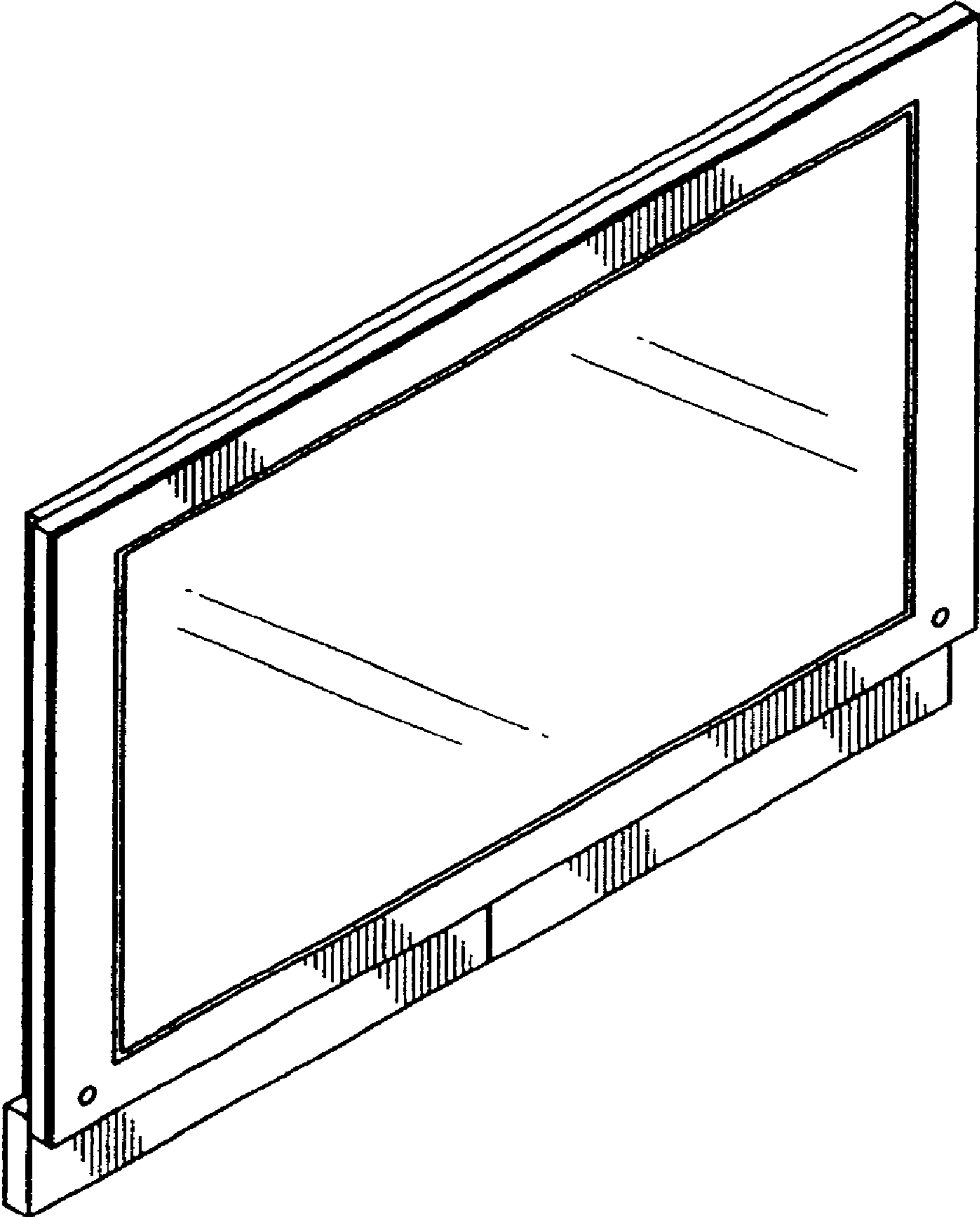
*Fig. 4*



*Fig. 5*



*Fig. 6*



*Fig. 7*